



US00D829595S

(12) **United States Design Patent** (10) **Patent No.:** **US D829,595 S**  
**Cardonne** (45) **Date of Patent:** **\*\* Oct. 2, 2018**

(54) **SELF CONTAINED PLANT GROWING APPARATUS**

(71) Applicant: **Daniel Leon Cardonne**, Aurora, CO (US)

(72) Inventor: **Daniel Leon Cardonne**, Aurora, CO (US)

(\*\*) Term: **15 Years**

(21) Appl. No.: **29/577,651**

(22) Filed: **Sep. 14, 2016**

(51) **LOC (11) Cl.** ..... **11-02**

(52) **U.S. Cl.**  
USPC ..... **D11/152**

(58) **Field of Classification Search**  
USPC ..... D11/143–156; D8/1  
CPC ..... A01G 27/00; A01G 27/02; A01G 27/04;  
A01G 27/06

See application file for complete search history.

(56) **References Cited**

U.S. PATENT DOCUMENTS

4,236,351	A *	12/1980	Smith	.....	A01G 27/00 47/79
D296,425	S *	6/1988	Carlson	.....	D11/152
4,829,709	A *	5/1989	Centafanti	.....	A01G 27/04 47/79
D329,406	S *	9/1992	Grosfillex	.....	D11/153
D364,359	S *	11/1995	Johnson	.....	D11/152
5,921,025	A *	7/1999	Smith	.....	A01G 27/06 47/48.5
6,145,250	A *	11/2000	Mai	.....	A01G 27/02 47/48.5
D491,487	S *	6/2004	Buss	.....	D11/152
D556,627	S *	12/2007	Arev	.....	D11/155
D598,224	S *	8/2009	Zanini	.....	D11/152

D706,163	S *	6/2014	Roth	.....	D11/152
2006/0207175	A1 *	9/2006	Wu	.....	A01G 27/02 47/79
2006/0230678	A1 *	10/2006	Ellis-El	.....	A01G 27/02 47/79
2010/0077661	A1 *	4/2010	Brandstatter	.....	A01G 27/02 47/80
2011/0036006	A1 *	2/2011	Griebel	.....	A01G 27/06 47/81

\* cited by examiner

*Primary Examiner* — Sheryl L Lane  
(74) *Attorney, Agent, or Firm* — Reilly Intellectual Property Law Firm

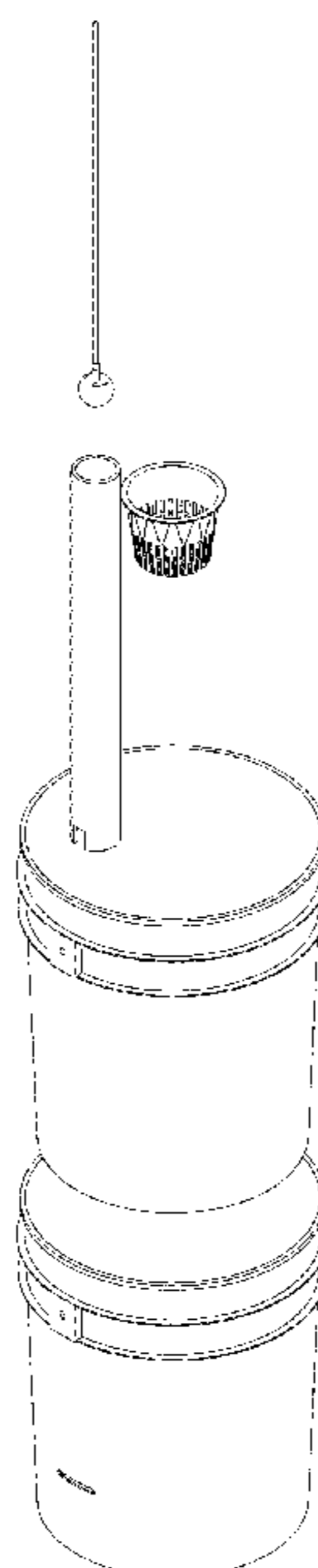
(57) **CLAIM**

I claim the ornamental design for a self contained plant growing apparatus, as shown and described.

**DESCRIPTION**

FIG. 1 is a perspective exploded view of a self contained plant growing apparatus.  
FIG. 2 is a second perspective exploded view of FIG. 1;  
FIG. 3 is a third perspective exploded view of FIG. 1;  
FIG. 4 is a top view of the bucket shown in FIG. 1;  
FIG. 5 is a top view of the self contained plant growing apparatus thereof;  
FIG. 6 is a front view thereof;  
FIG. 7 is a side view thereof;  
FIG. 8 is a bottom view thereof;  
FIG. 9 is a rear view thereof; and,  
FIG. 10 is an opposite side view of FIG. 7.

**1 Claim, 4 Drawing Sheets**



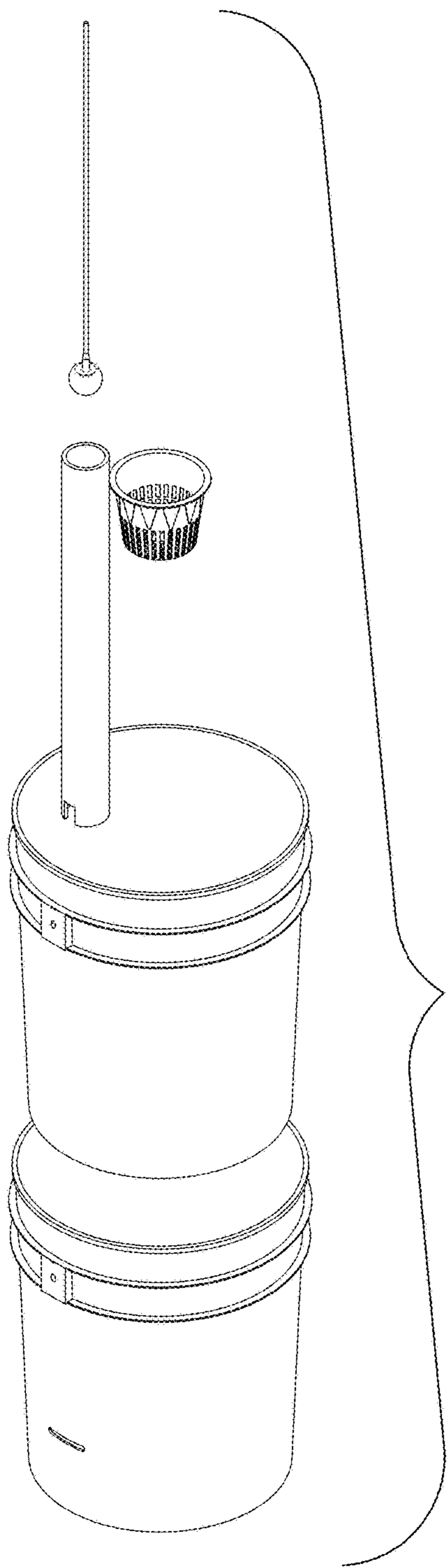


Fig. 1

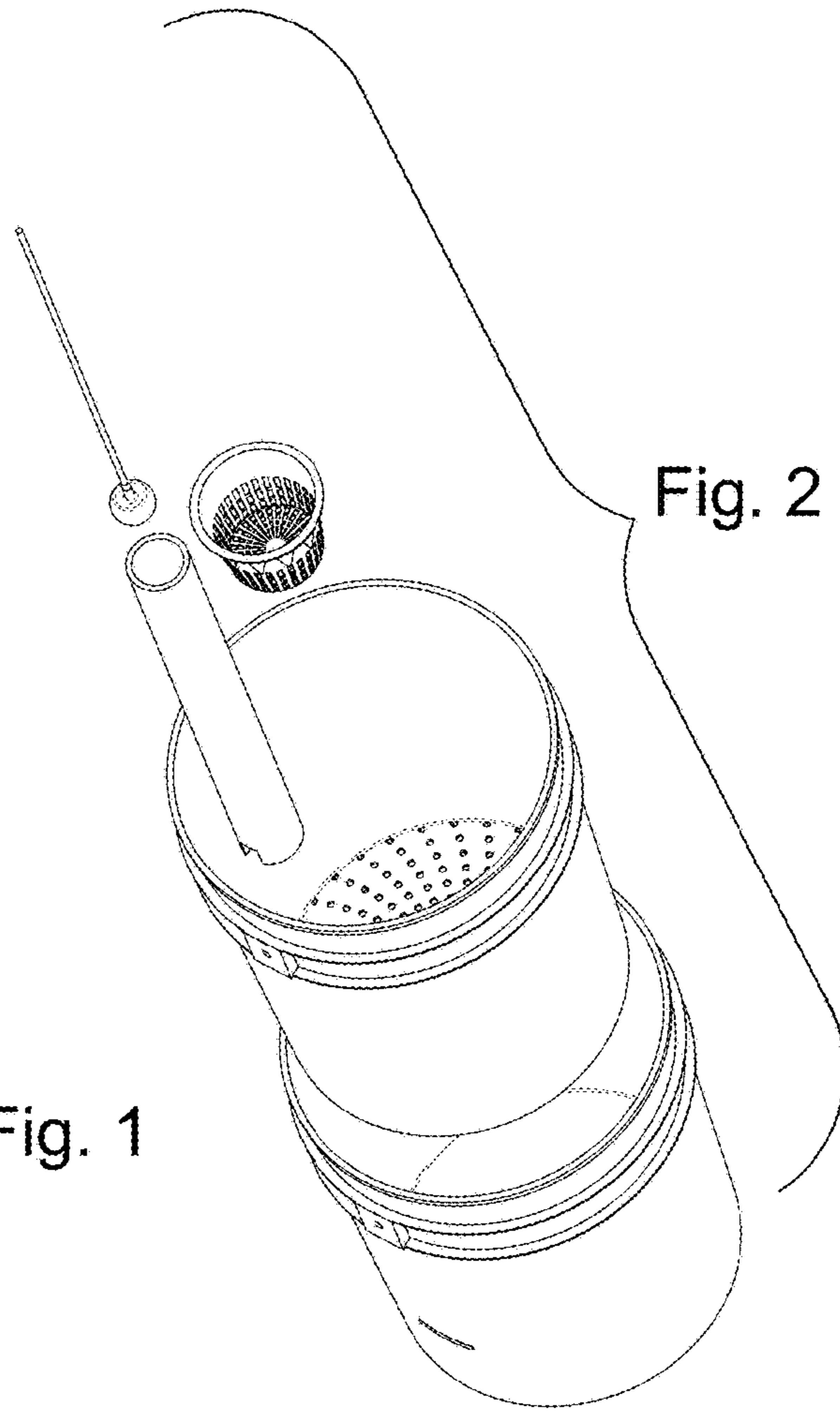


Fig. 2

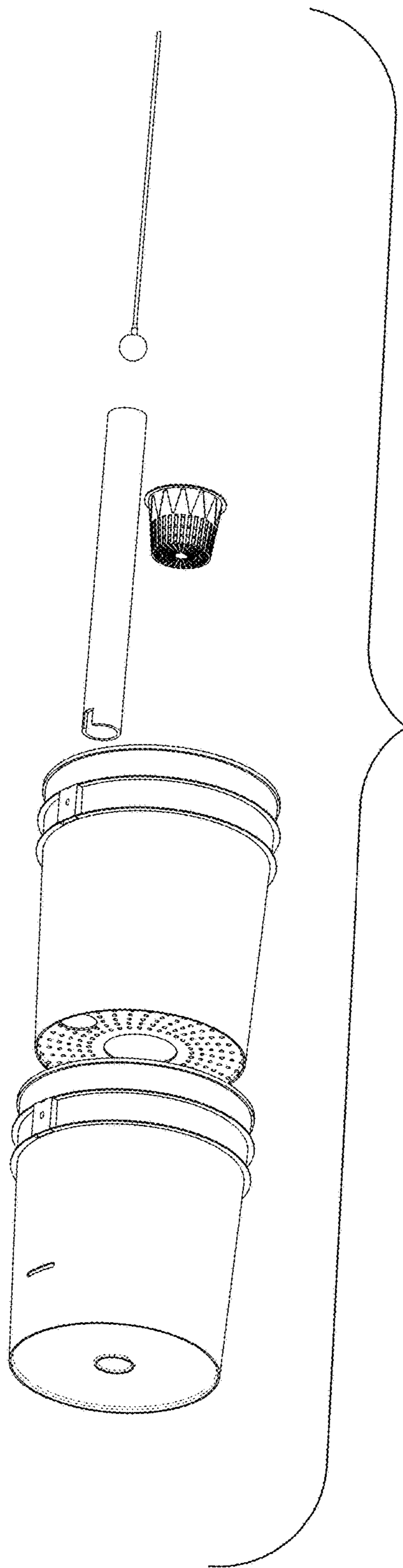


Fig. 3

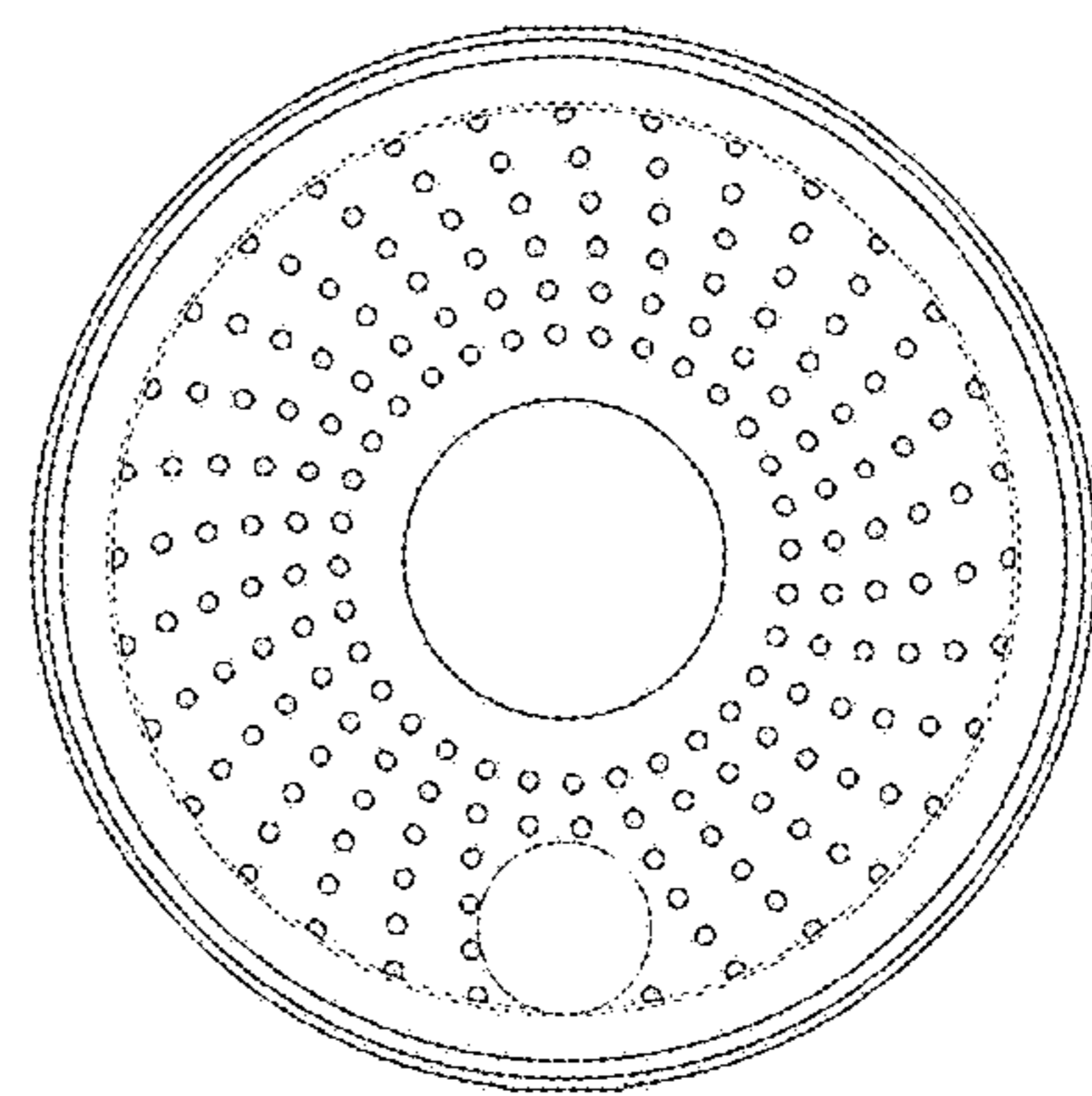


Fig. 4

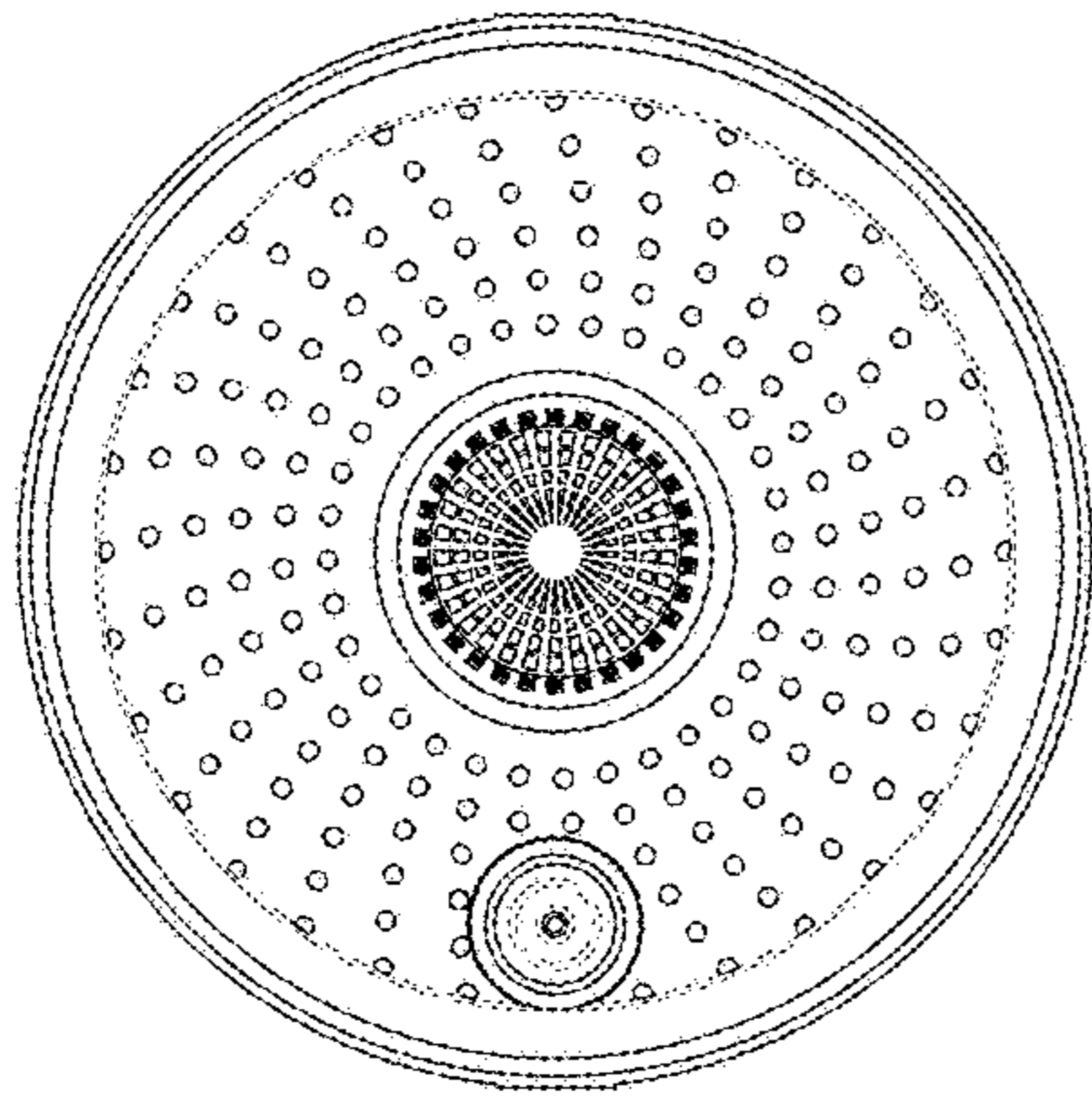


Fig. 5

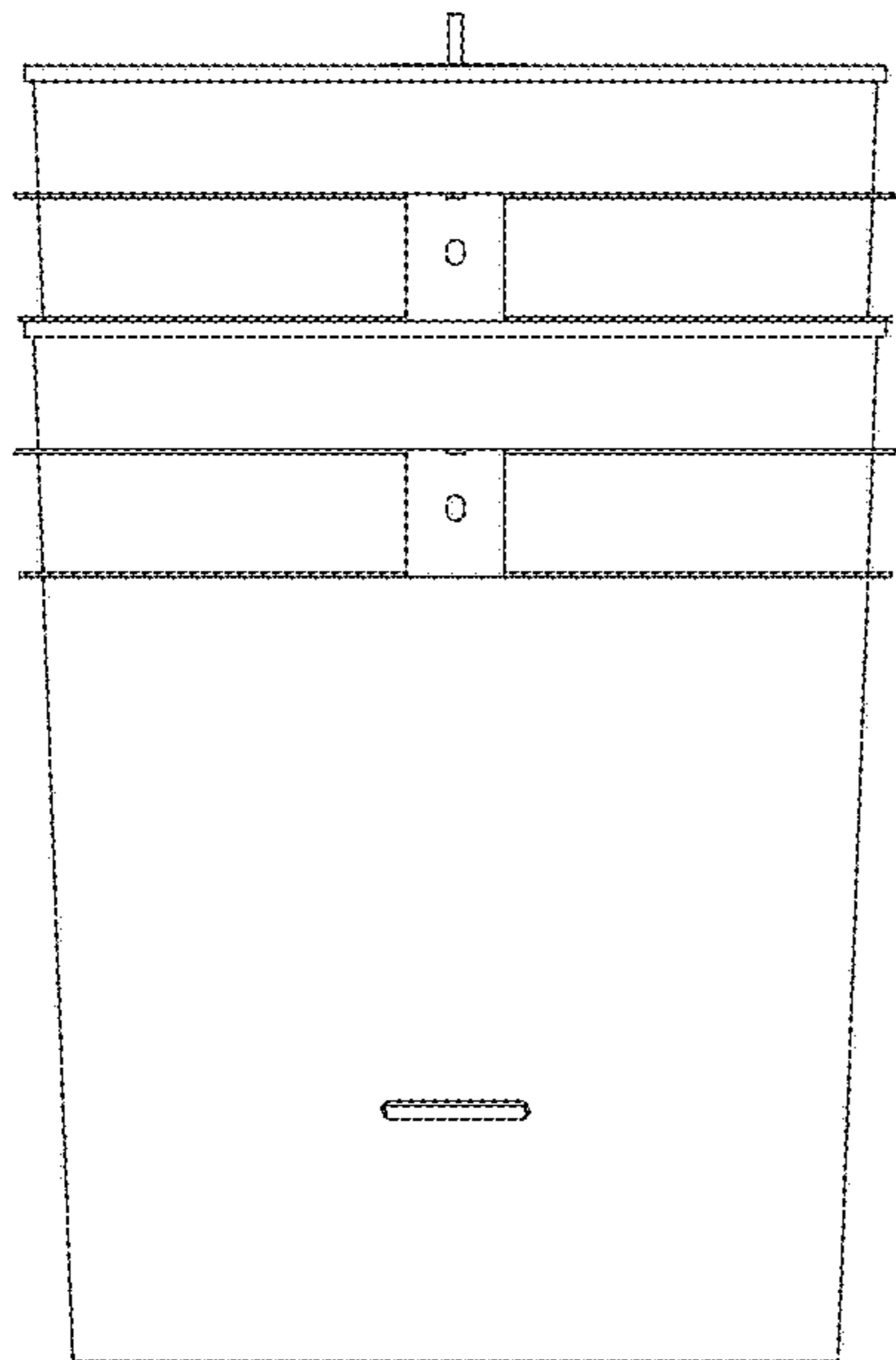


Fig. 6

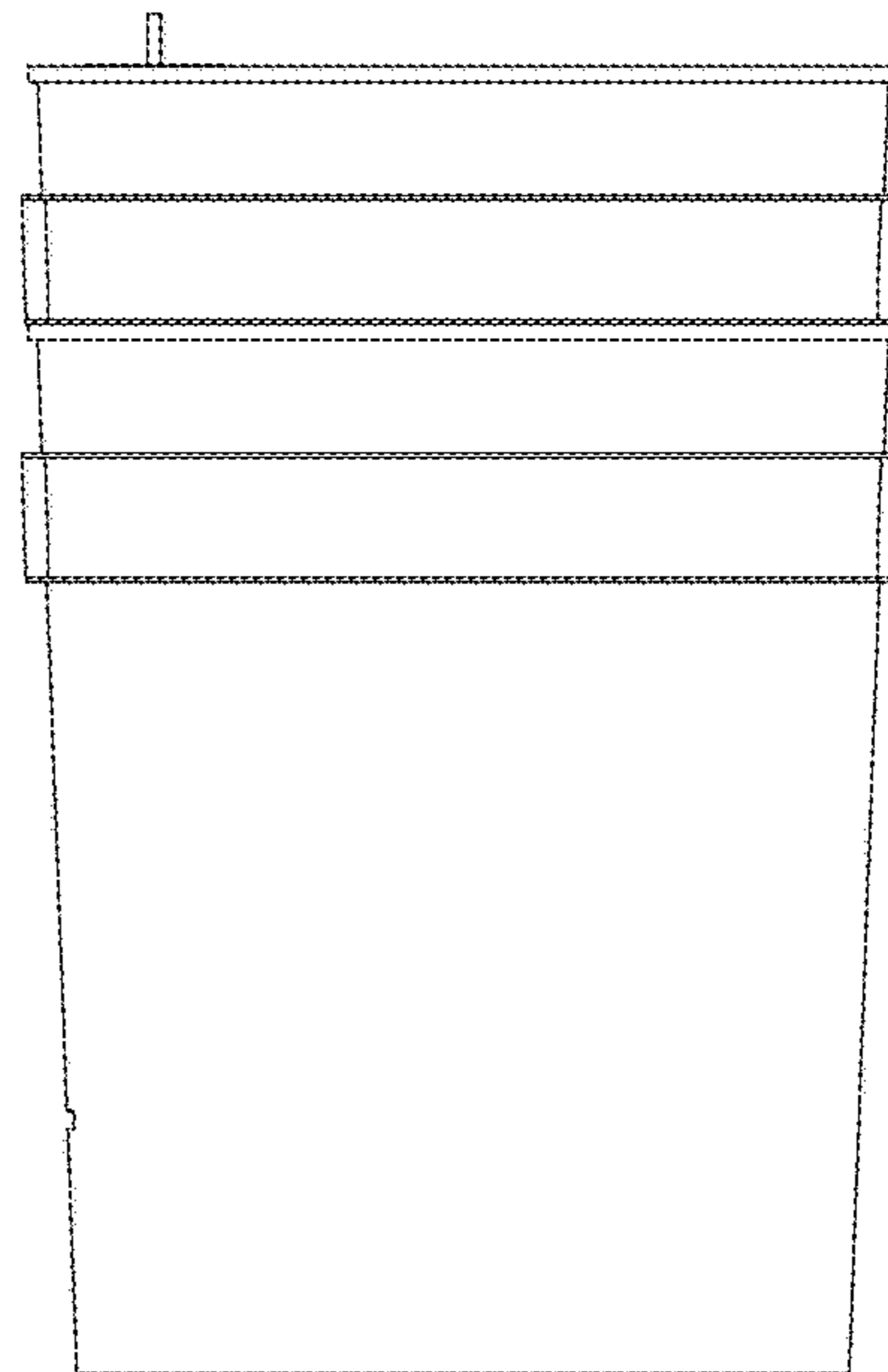


Fig. 7

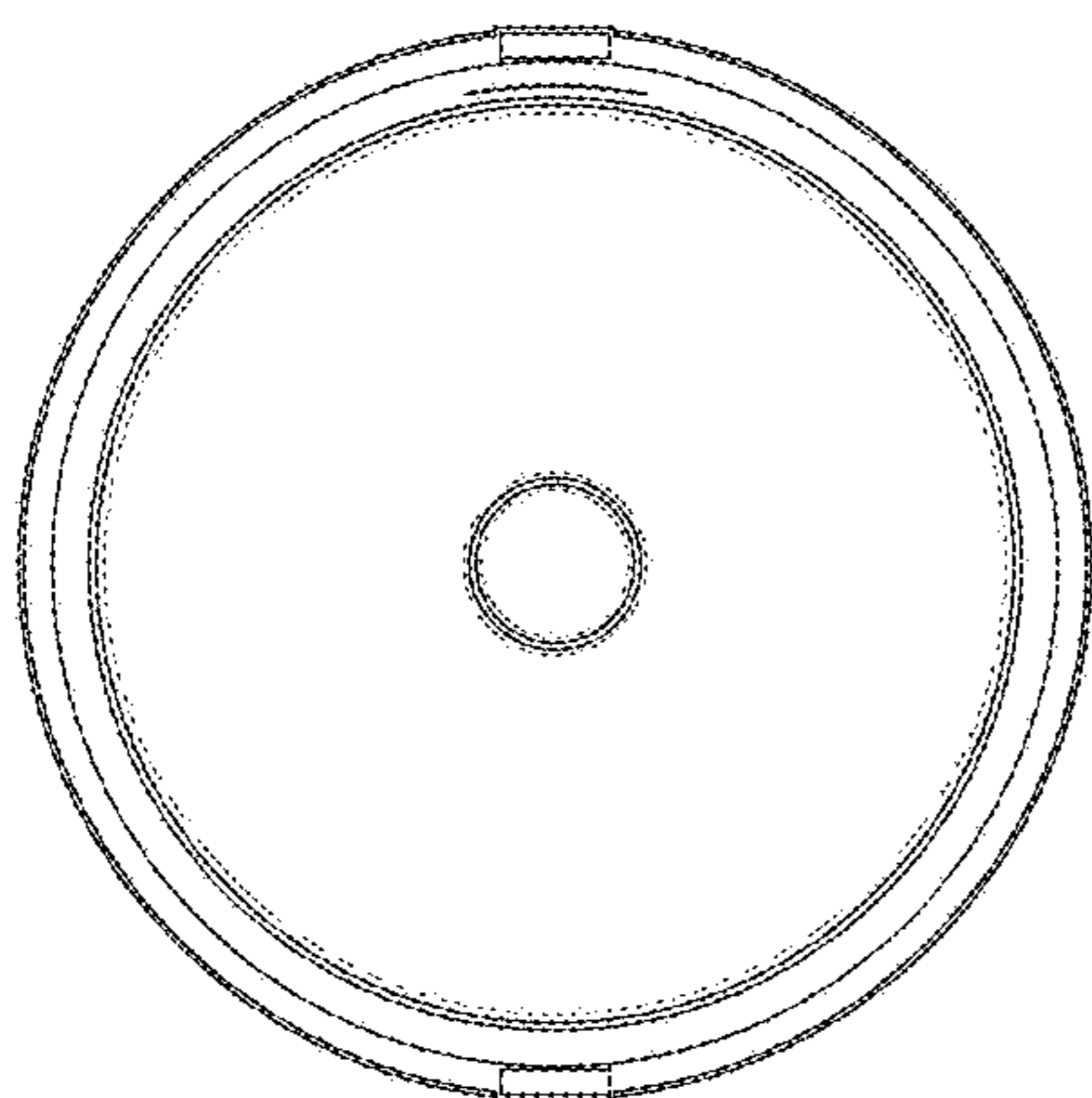


Fig. 8

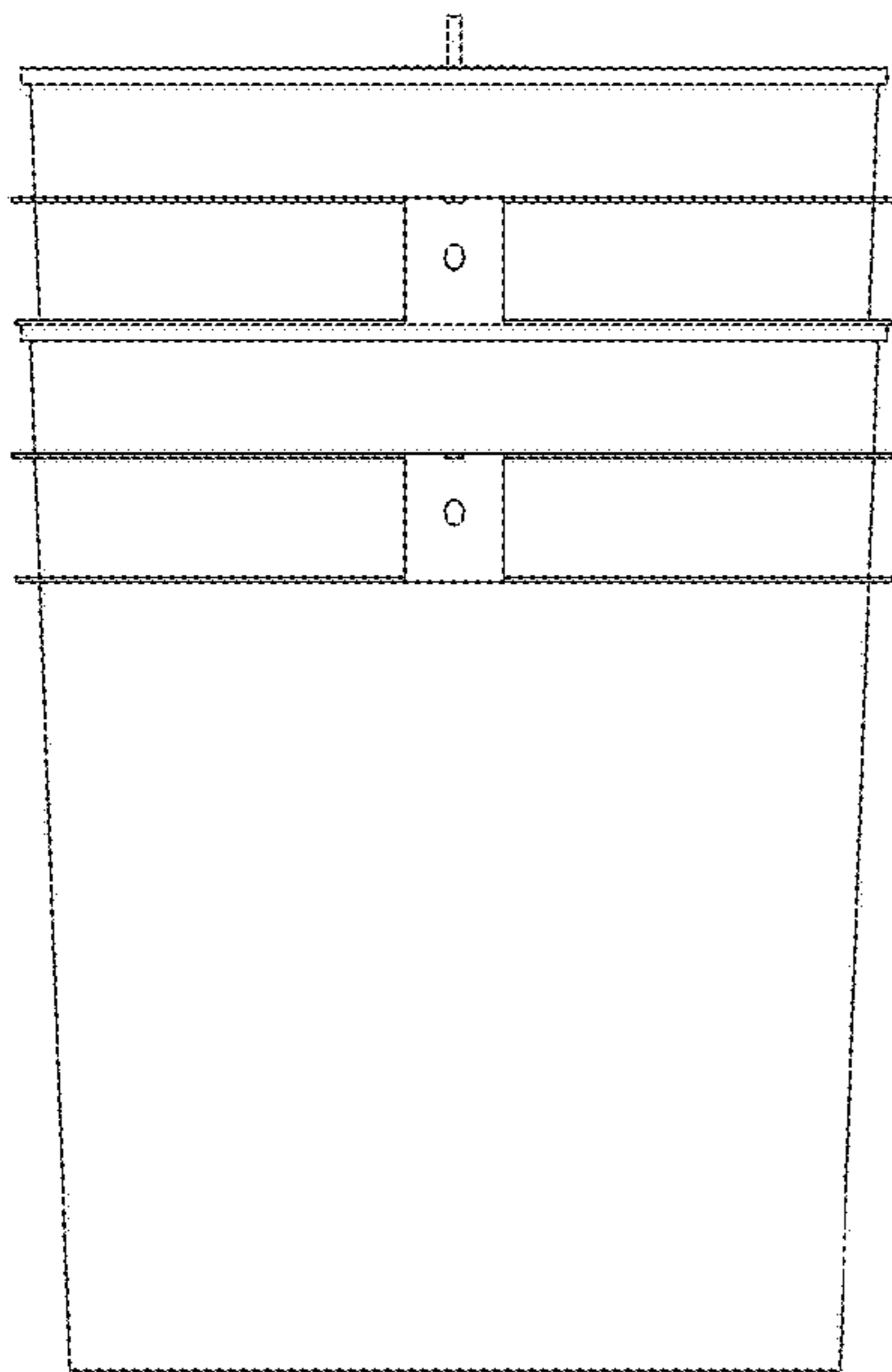


Fig. 9

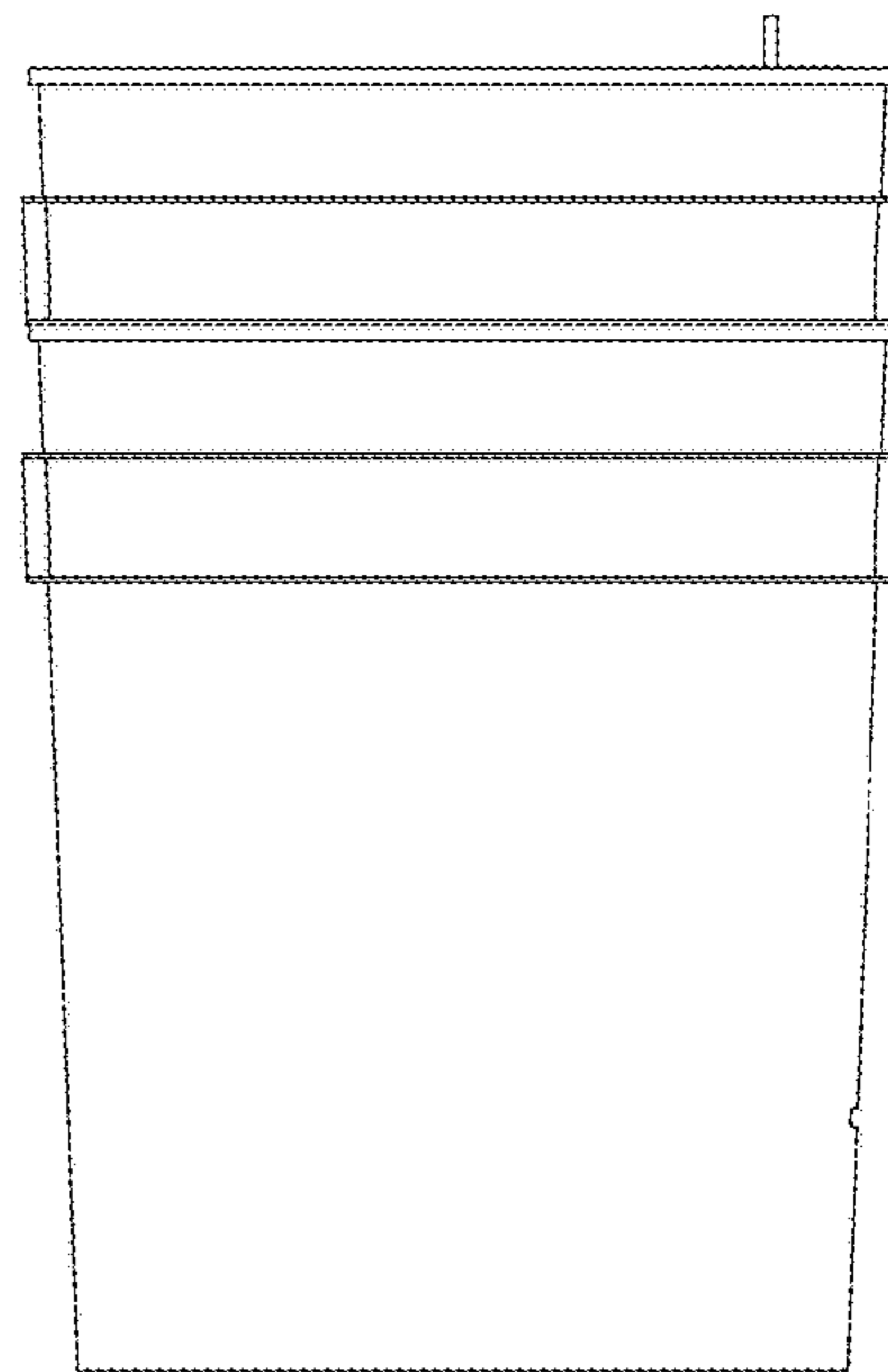


Fig. 10