



US00D829591S

(12) **United States Design Patent**
Monachon

(10) **Patent No.:** **US D829,591 S**

(45) **Date of Patent:** **** Oct. 2, 2018**

(54) **DIAL**

(56) **References Cited**

(71) Applicant: **OMEGA LTD.**, Biel/Bienne (CH)

U.S. PATENT DOCUMENTS

(72) Inventor: **Jean-Claude Monachon**, Bevaix (CH)

D147,091 S	*	7/1947	Tellier	D10/10
D159,294 S	*	7/1950	Owinski	D10/10
D185,242 S	*	5/1959	Sayih	D10/127
D323,465 S	*	1/1992	Hirota	D10/22
D329,613 S	*	9/1992	Yano	D10/10
D334,346 S	*	3/1993	Vogel	D10/10
D357,421 S	*	4/1995	Tsukada	D10/10
D659,044 S	*	5/2012	Kauffmann	D10/126
D800,579 S	*	10/2017	Goldberg	D10/30

(73) Assignee: **OMEGA LTD**, Biel/Bienne (CH)

(**) Term: **15 Years**

(21) Appl. No.: **29/617,645**

* cited by examiner

(22) Filed: **Sep. 15, 2017**

Primary Examiner — Eric L Goodman

(30) **Foreign Application Priority Data**

Assistant Examiner — Aula Soroush

Mar. 15, 2017 (WO) DM/095 365

(74) *Attorney, Agent, or Firm* — Abelman, Frayne & Schwab

(51) **LOC (11) Cl.** **10-07**

(52) **U.S. Cl.**
USPC **D10/126**

(57) **CLAIM**

The ornamental design for a dial, as shown.

(58) **Field of Classification Search**

DESCRIPTION

USPC D10/1-39, 65, 70, 122-132; D14/344,
D14/138 R

CPC ... G04F 1/00; G04F 1/06; G04F 1/063; G04F
7/06; G04F 7/0861; G04F 7/0871; G04F
7/08; G04F 7/0804; G04F 7/0842; G04F
7/0876; G04F 19/00; G04F 19/02; G04F
19/04; G04F 19/06; G04F 19/08; G04F
19/26; G04F 19/24; G04F 39/00; G04F
39/002; G04F 39/004; G04F 39/006;
A01G 25/165; B05B 12/02

FIG. 1 is a front left perspective view of a dial showing my new design;

FIG. 2 is a front view thereof;

FIG. 3 is a rear view thereof;

FIG. 4 is a left side view thereof;

FIG. 5 is a right side view thereof;

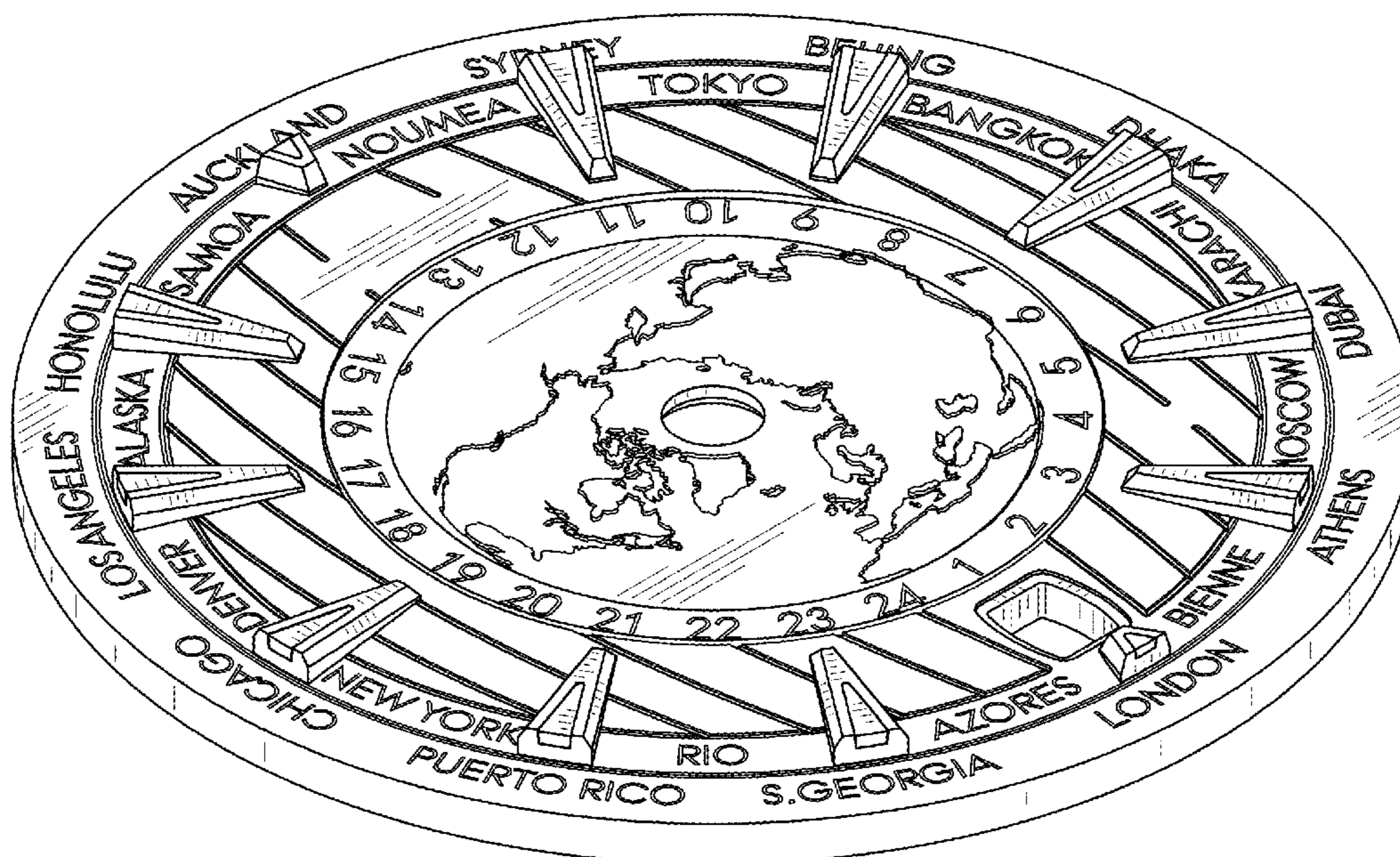
FIG. 6 is a top view thereof;

FIG. 7 is a bottom view thereof; and,

FIG. 8 is a rear left perspective view thereof.

See application file for complete search history.

1 Claim, 5 Drawing Sheets



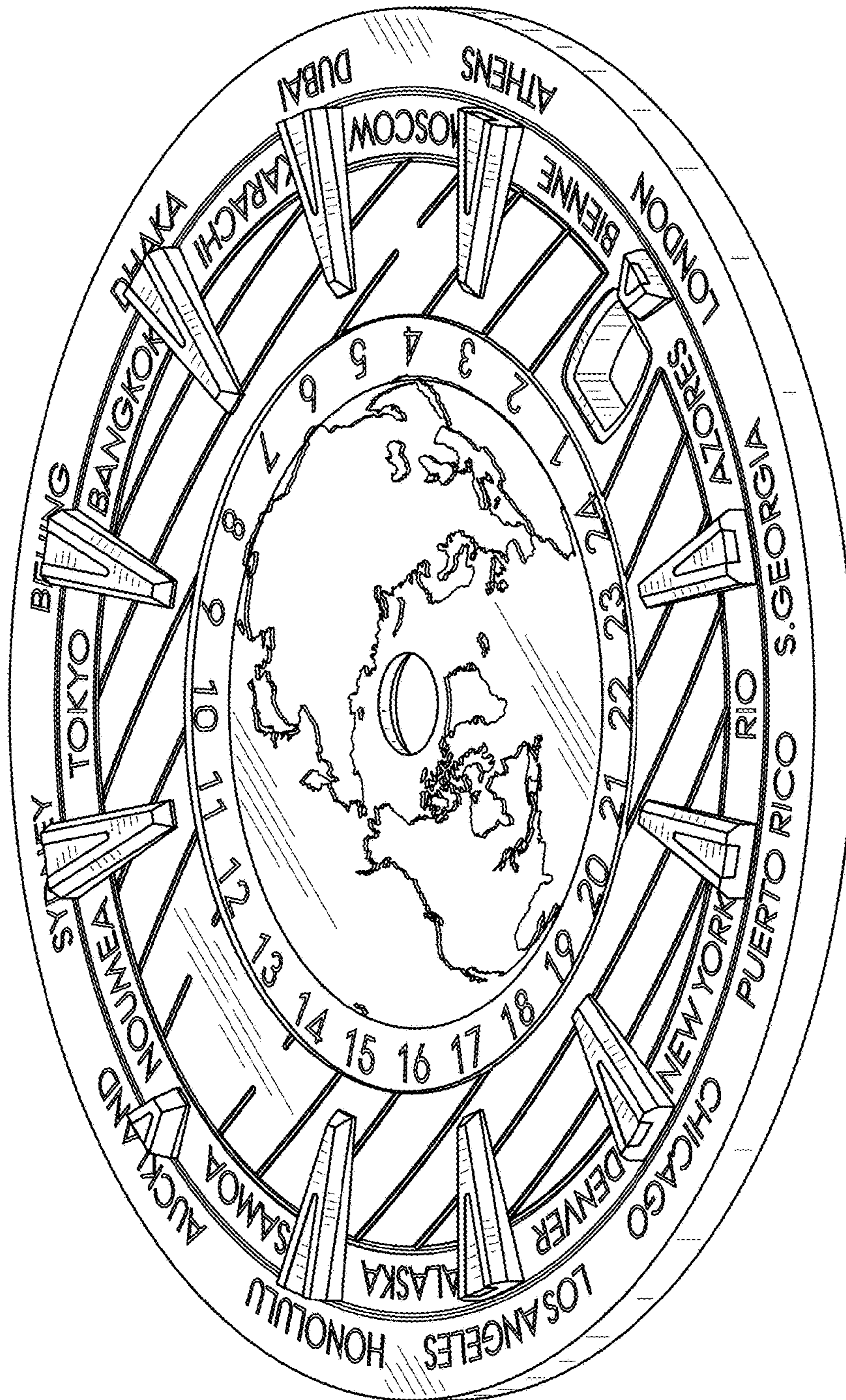


FIG. 1

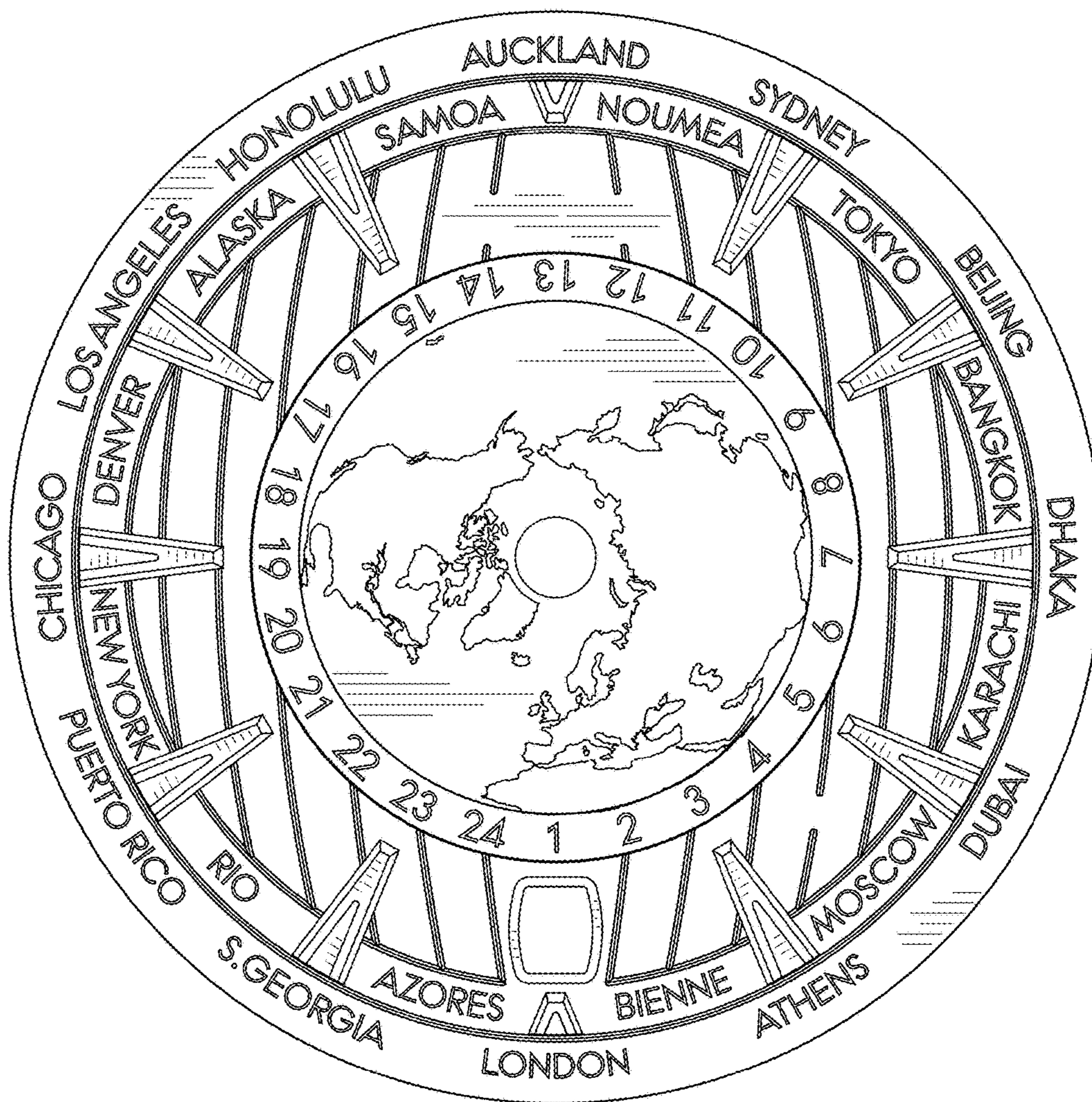


FIG. 2

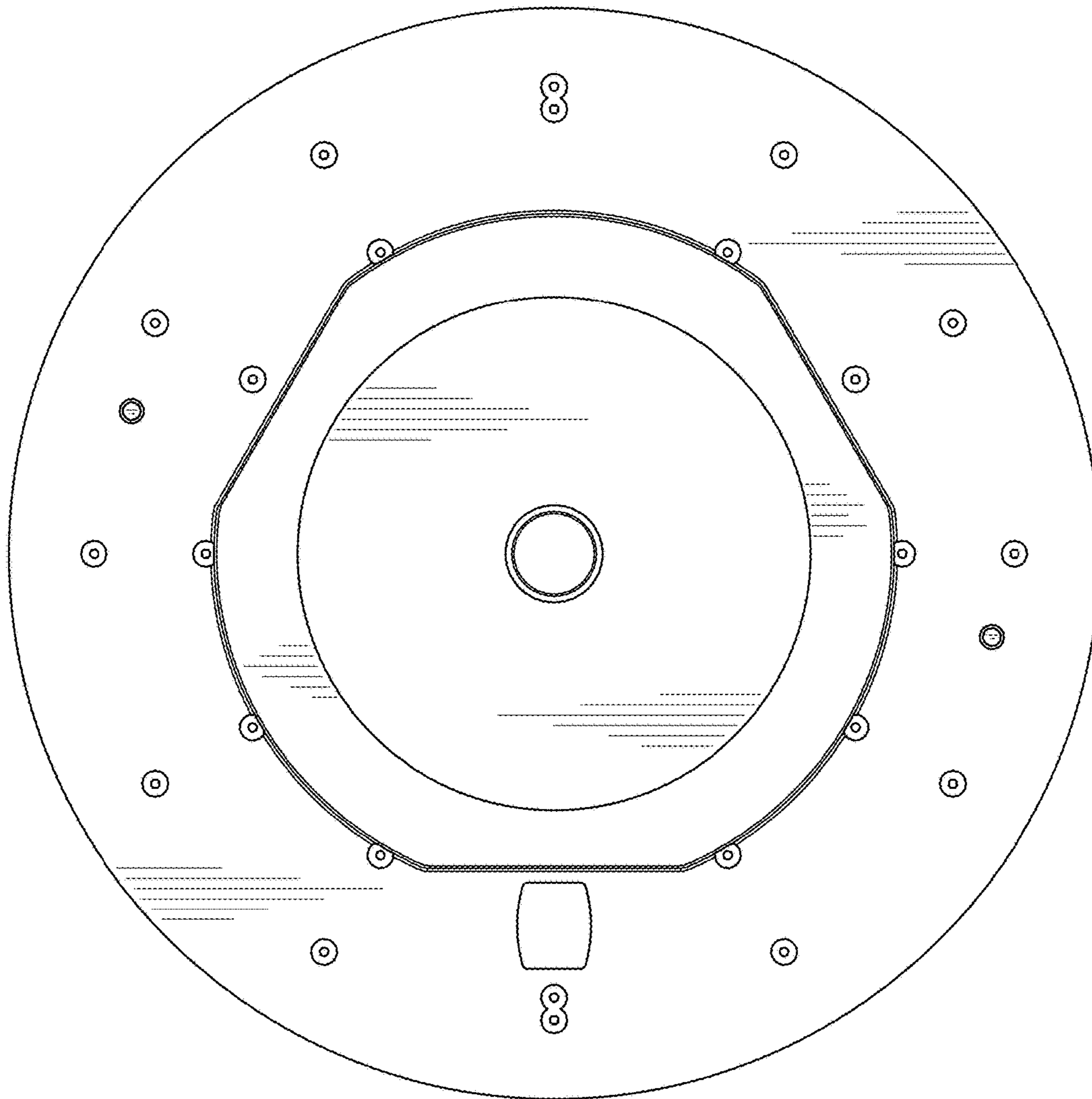


FIG. 3

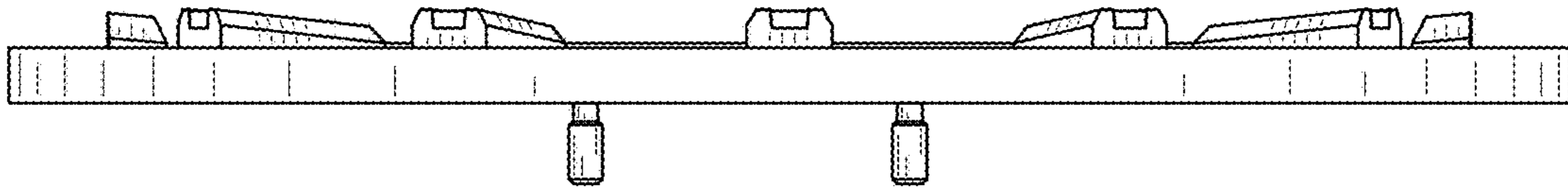


FIG. 4

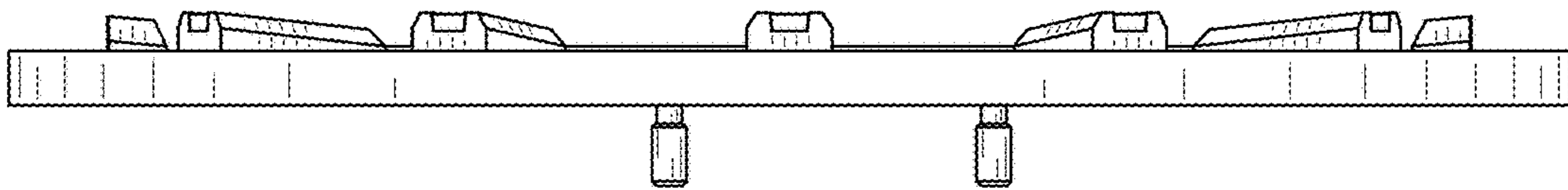


FIG. 5

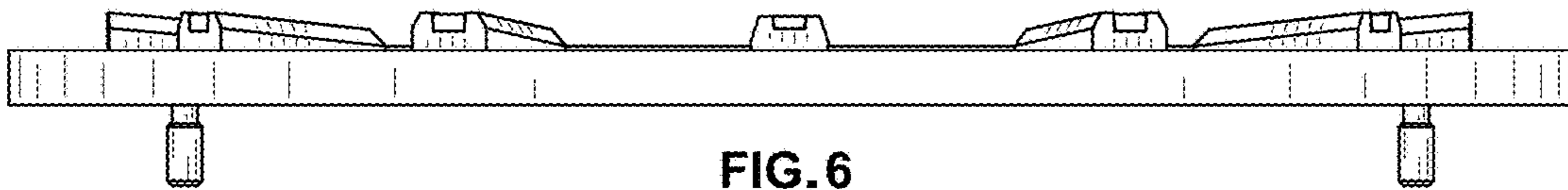


FIG. 6

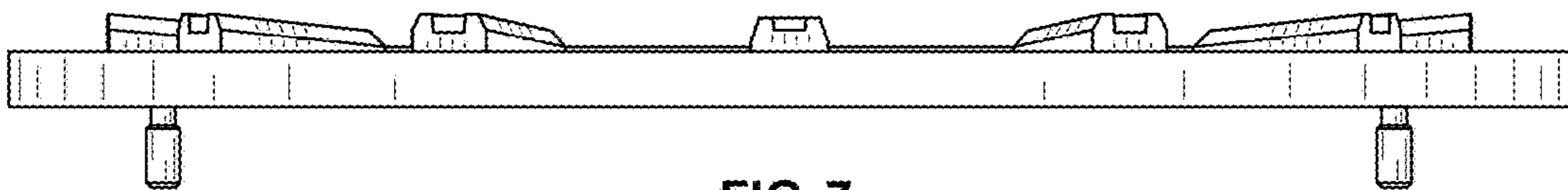


FIG. 7

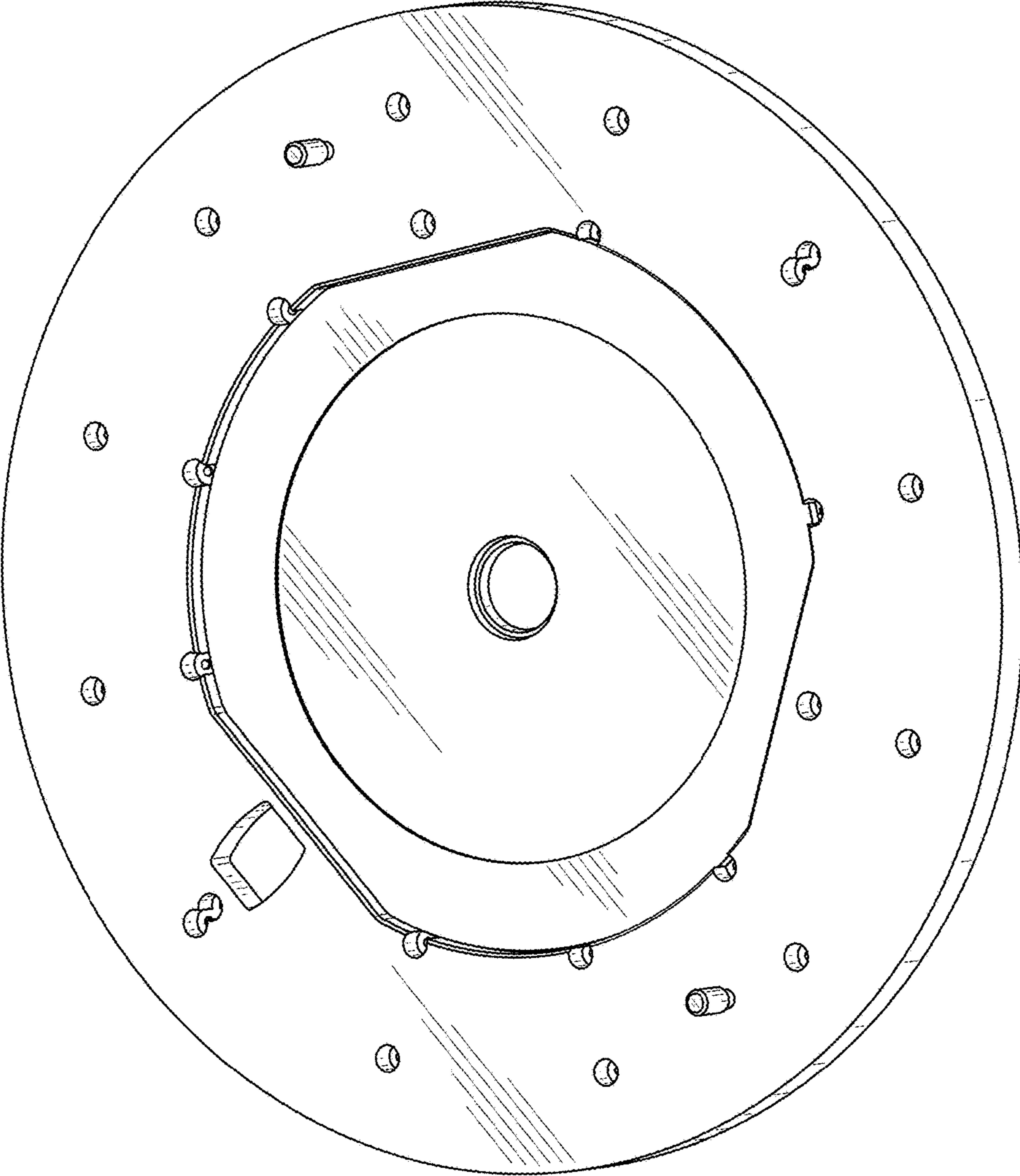


FIG. 8