

US00D829587S

(12) **United States Design Patent** (10) **Patent No.:** **US D829,587 S**
Lasserre (45) **Date of Patent:** **** Oct. 2, 2018**

(54) **DIAL**
(71) Applicant: **HARRY WINSTON SA,**
Plan-les-Ouates (CH)
(72) Inventor: **Christophe Lasserre,** Geneva (CH)
(73) Assignee: **Harry Winston SA,** Plan-les-Ouates
(CH)
(**) Term: **15 Years**
(21) Appl. No.: **29/615,996**
(22) Filed: **Sep. 1, 2017**
(30) **Foreign Application Priority Data**

Mar. 2, 2017 (WO) DM/095 097
(51) **LOC (11) Cl.** **10-07**
(52) **U.S. Cl.**
USPC **D10/125**
(58) **Field of Classification Search**
USPC D10/1-39, 65, 70, 122-132; D14/344,
D14/138 R
CPC ... G04F 1/00; G04F 1/06; G04F 1/063; G04F
7/06; G04F 7/0861; G04F 7/0871; G04F
7/08; G04F 7/0804; G04F 7/0842; G04F
7/0876; G04F 19/00; G04F 19/02; G04F
19/04; G04F 19/06; G04F 19/08; G04F
19/26; G04F 19/24; G04F 39/00; G04F
39/002; G04F 39/004; G04F 39/006;
A01G 25/165; B05B 12/02
See application file for complete search history.

(56) **References Cited**
U.S. PATENT DOCUMENTS
D83,533 S * 3/1931 Gruen D10/1
D342,214 S * 12/1993 Tsukada D10/125
D525,552 S * 7/2006 Calvani D10/126
D526,232 S * 8/2006 Calvani D10/126

D527,668 S * 9/2006 Calvani D10/126
D563,255 S * 3/2008 Hardy D10/125
D623,976 S * 9/2010 Rabassa D10/125
D710,731 S * 8/2014 Calvani D10/126
D729,096 S * 5/2015 Kamilindi D10/125
D797,595 S * 9/2017 Dominguez D10/126

FOREIGN PATENT DOCUMENTS

JP D1597522 * 8/2017
* cited by examiner

Primary Examiner — Karen Elizabeth Kearney

Assistant Examiner — Aula Soroush

(74) *Attorney, Agent, or Firm* — Blank Rome LLP

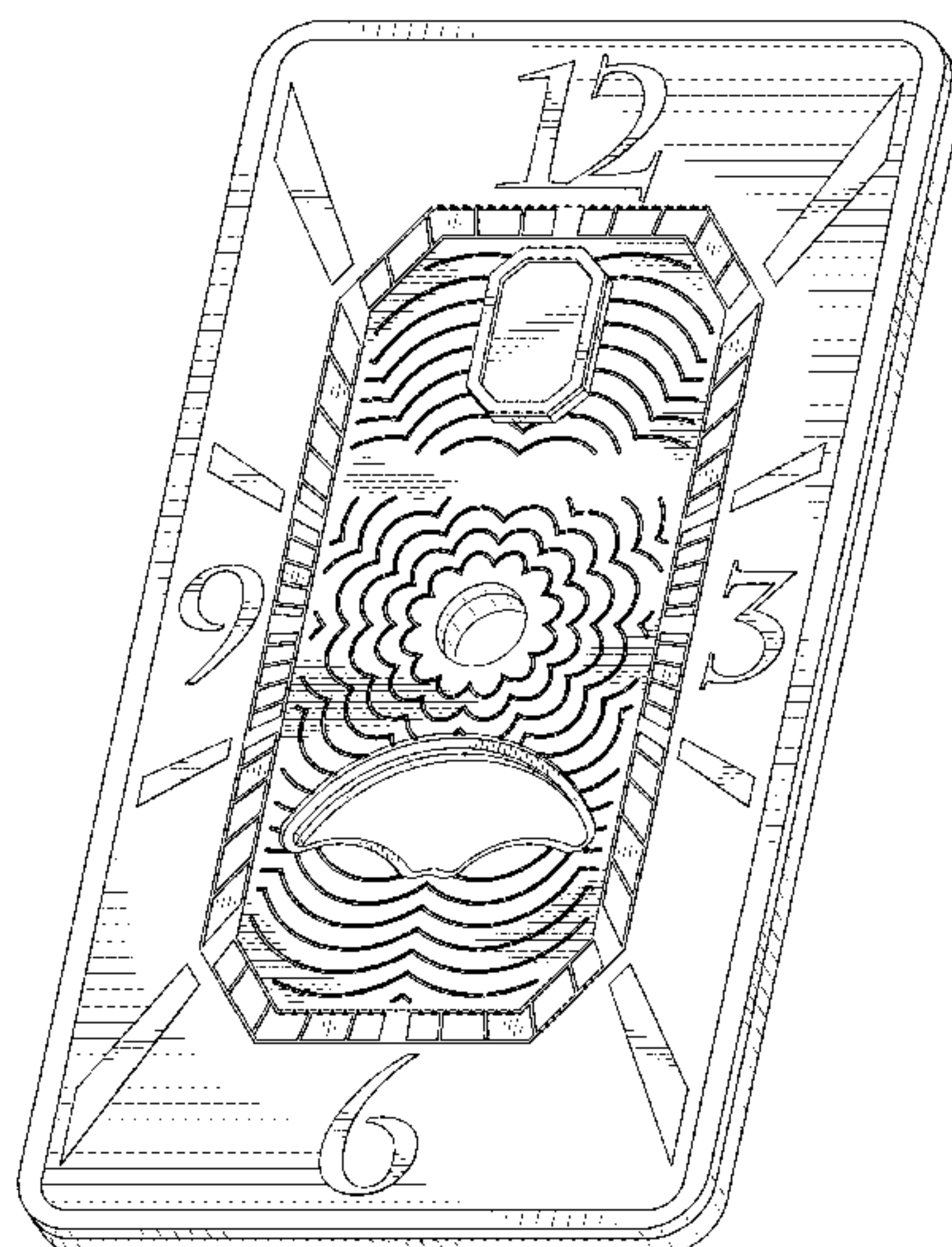
(57) **CLAIM**

The ornamental design for a dial, as shown.

DESCRIPTION

FIG. 1 is a top front perspective view of a dial showing my new design;
FIG. 2 is a rear bottom perspective view thereof;
FIG. 3 is a top view thereof;
FIG. 4 is a bottom view thereof;
FIG. 5 is a left side view thereof;
FIG. 6 is a right side view thereof;
FIG. 7 is a front view thereof; and,
FIG. 8 is a rear view thereof.

1 Claim, 6 Drawing Sheets



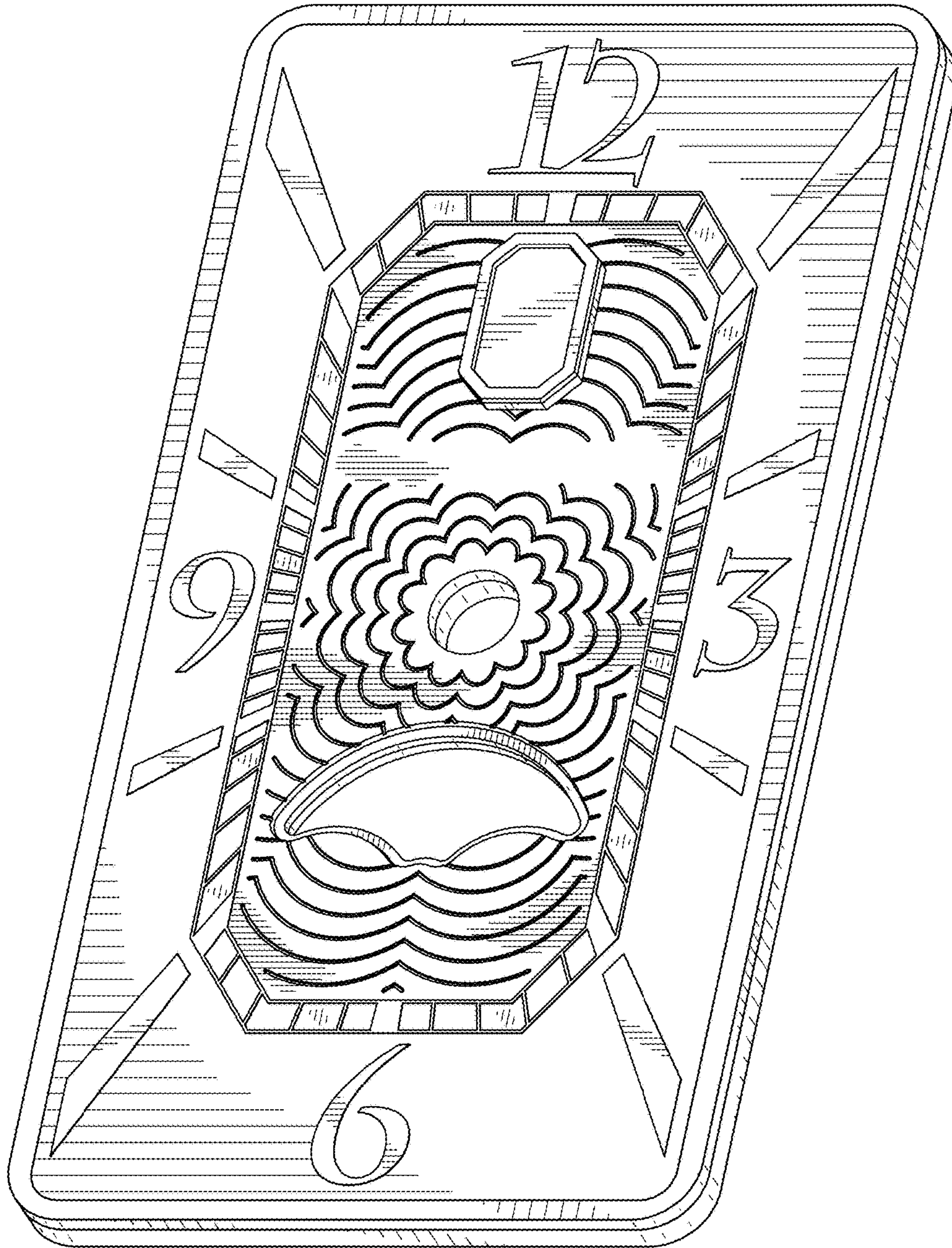


FIG. 1

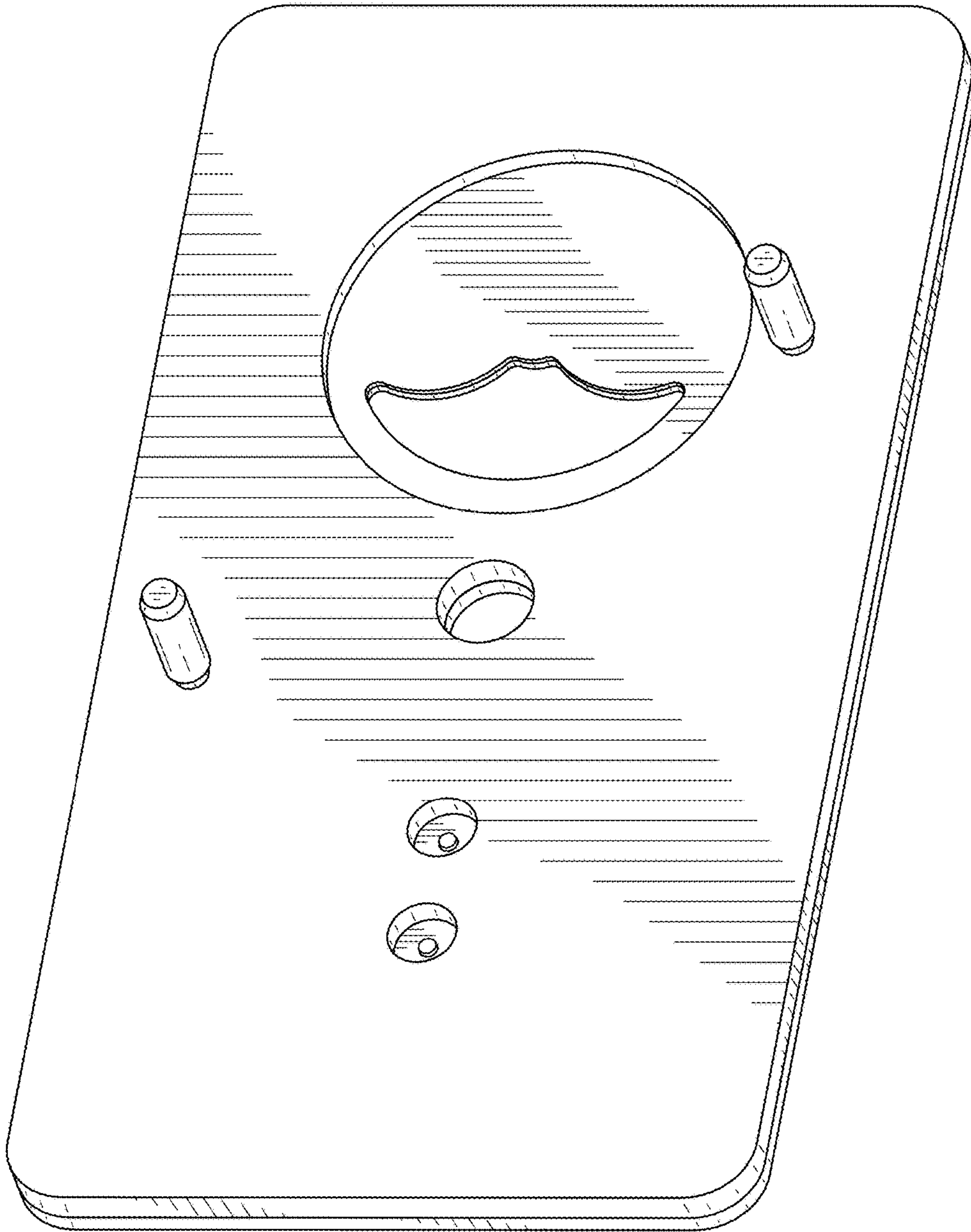


FIG. 2

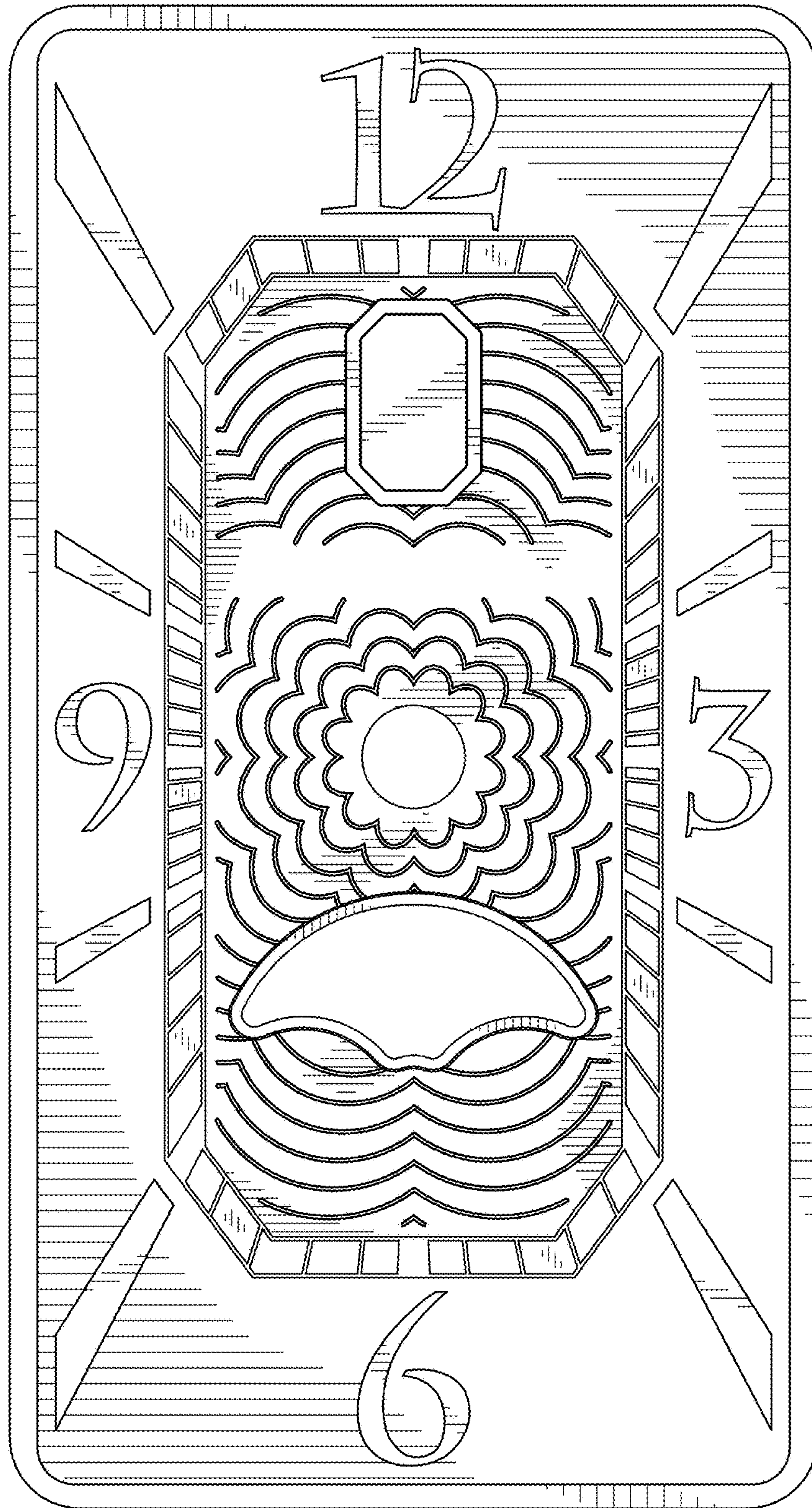


FIG. 3

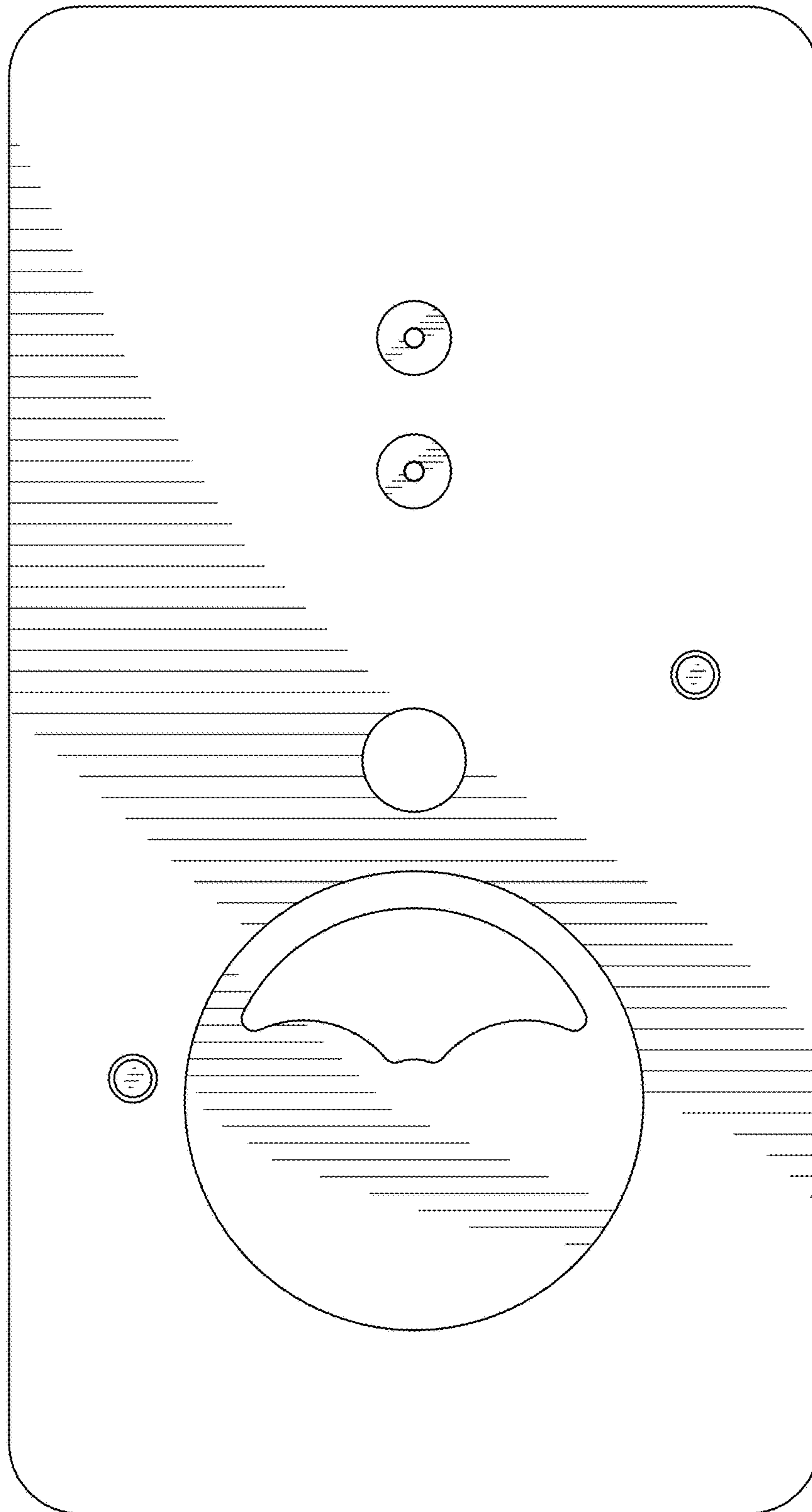


FIG. 4

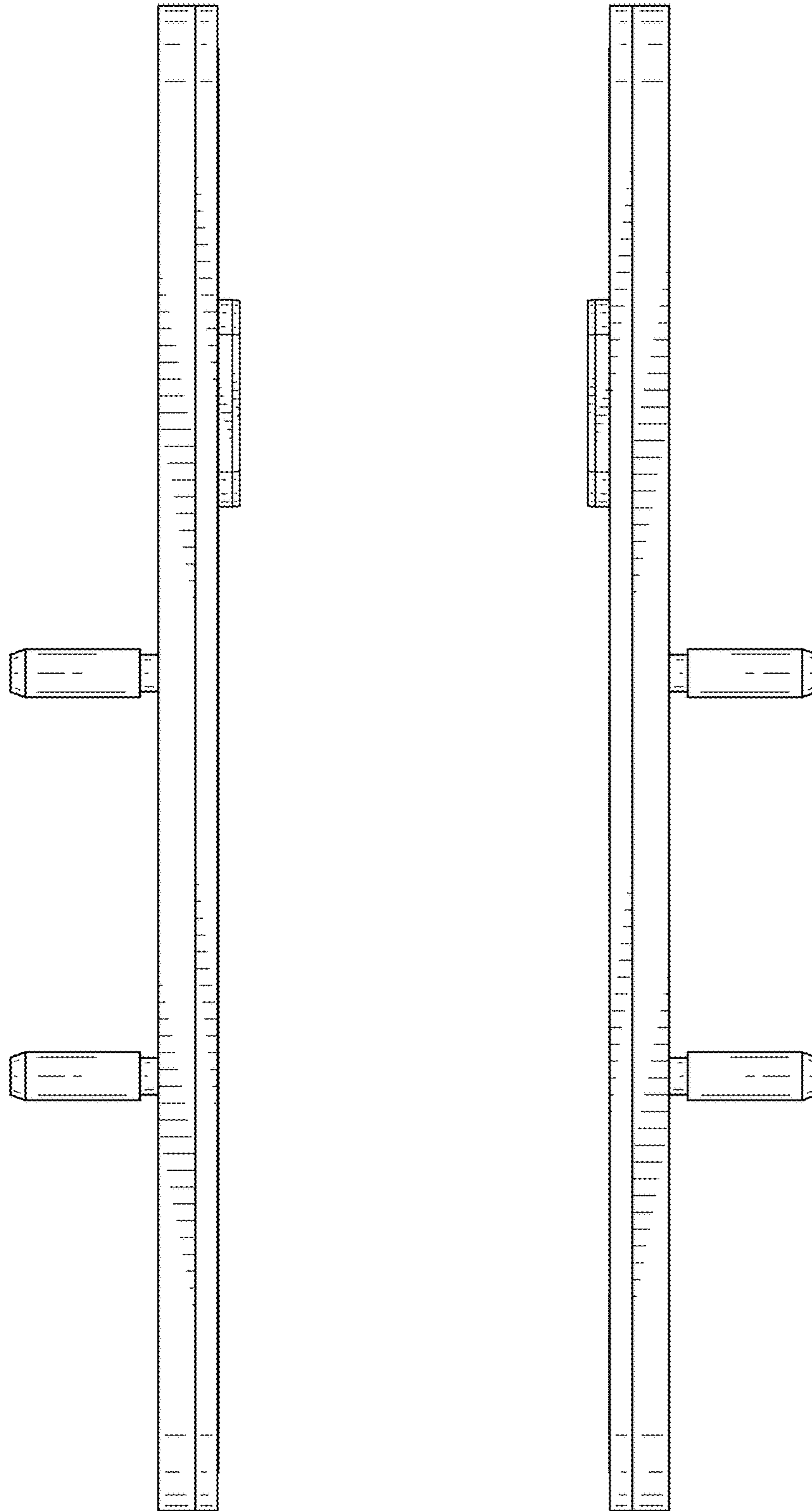


FIG. 5

FIG. 6

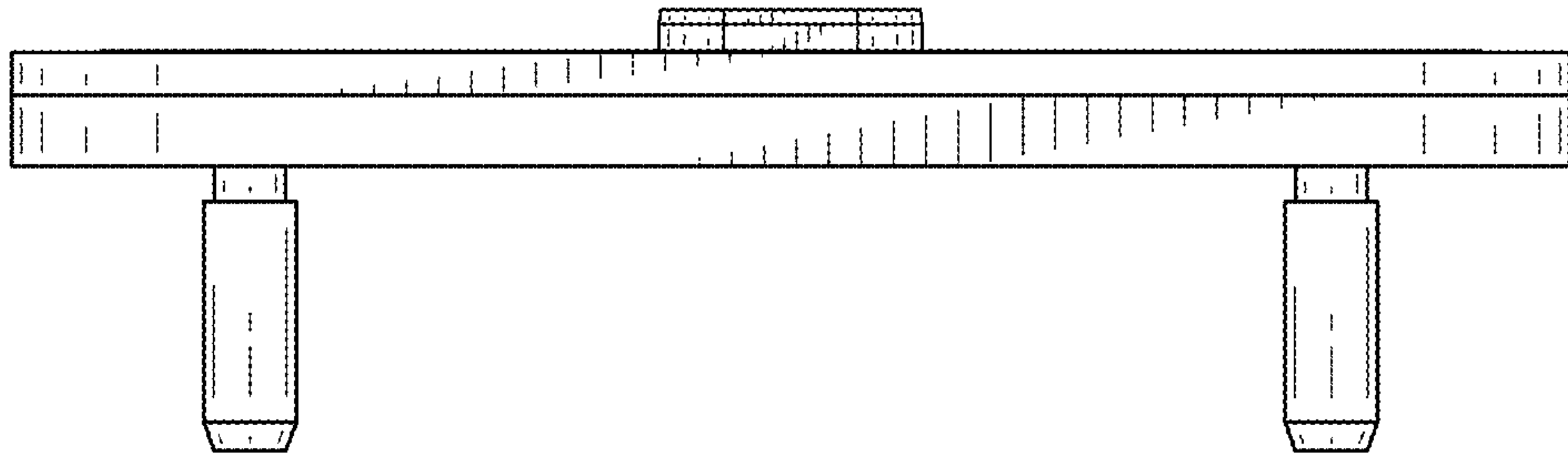


FIG. 7

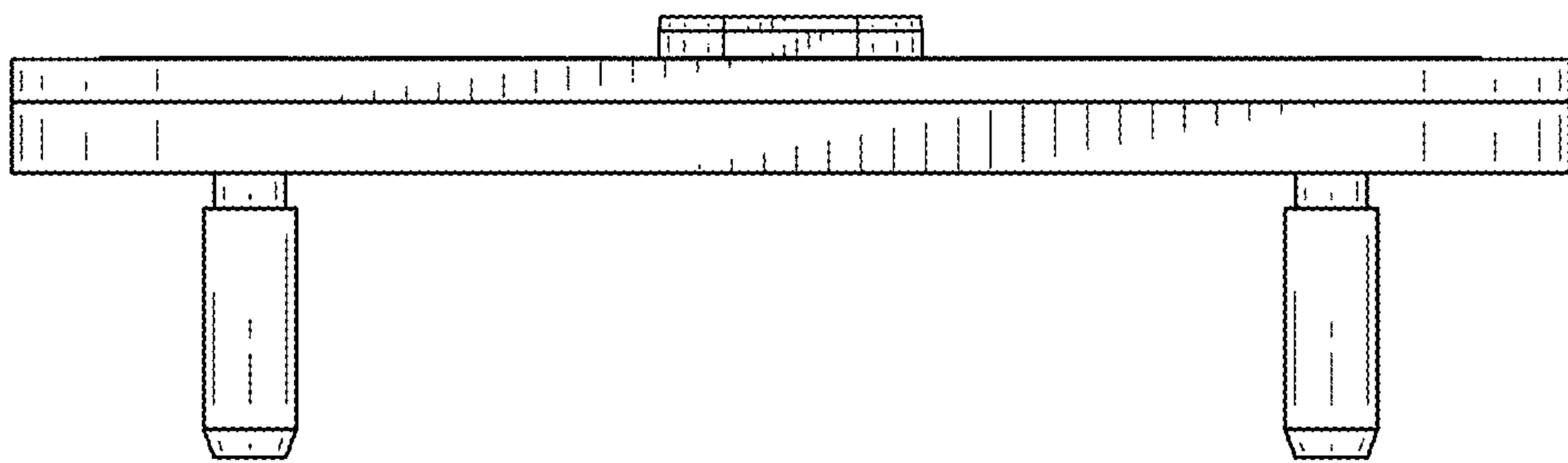


FIG. 8