



US00D829584S

(12) **United States Design Patent**  
**King**

(10) **Patent No.:** **US D829,584 S**

(45) **Date of Patent:** **\*\* Oct. 2, 2018**

(54) **CALL BOX**

(71) Applicant: **Safety Technology International, Inc.**,  
Waterford, MI (US)

(72) Inventor: **Justin King**, Waterford, MI (US)

(73) Assignee: **Safety Technology International, Inc.**,  
Waterford, MI (US)

(\*\*) Term: **15 Years**

(21) Appl. No.: **29/571,794**

(22) Filed: **Jul. 21, 2016**

(51) **LOC (11) Cl.** ..... **10-05**

(52) **U.S. Cl.**  
USPC ..... **D10/104.1**

(58) **Field of Classification Search**  
USPC ..... D10/46, 75, 78, 79, 80, 104.1,  
D10/106.1–106.95, 116.1, 118, 118.2,  
(Continued)

(56) **References Cited**

U.S. PATENT DOCUMENTS

D376,114 S \* 12/1996 Seki ..... D10/104.1  
D399,155 S \* 10/1998 Roberts ..... D10/106.6  
(Continued)

*Primary Examiner* — George D Kirschbaum

*Assistant Examiner* — Joseph J Kukella

(74) *Attorney, Agent, or Firm* — Dinsmore & Shohl LLP

(57) **CLAIM**

The ornamental design for a call box, as shown and described.

**DESCRIPTION**

FIG. 1 is an elevated front left perspective view of an embodiment of a call box, with broken, phantom lines

indicating a lowered cover for a front of the call box, a spacer for a rear of the call box, and a recessed area of the front of the call box;

FIG. 2 is an elevated front left perspective view of the call box of FIG. 1, with broken, phantom lines indicating a raised cover for a front of the call box, a spacer for a rear of the call box, and a recessed area of the front of the call box;

FIG. 3 is a front plan view of a call box, with broken, phantom lines indicating a lowered cover for a front of the call box;

FIG. 4 is a rear view of a call box, with broken, phantom lines indicating a lowered cover for a front of the call box and a spacer for a rear of the call box and a recessed area of the front of the call box;

FIG. 5 is a right side plan view of a call box, with broken, phantom lines indicating a lowered cover for a front of the call box and a spacer for a rear of the call box;

FIG. 6 is a left side plan view of a call box, with broken, phantom lines indicating a lowered cover for a front of the call box and a spacer for a rear of the call box;

FIG. 7 is an end or bottom plan view of a call box, with broken, phantom lines indicating a lowered cover for a front of the call box and a spacer for a rear of the call box;

FIG. 8 is a top plan view of a call box, with broken, phantom lines indicating a lowered cover for a front of the call box and a spacer for a rear of the call box;

FIG. 9 is a front plan view of a call box, with broken, phantom lines indicating a raised cover for a front of the call box and a recessed area of the front of the call box;

FIG. 10 is a right side plan view of a call box, with broken, phantom lines indicating a raised cover for a front of the call box and a spacer for a rear of the call box;

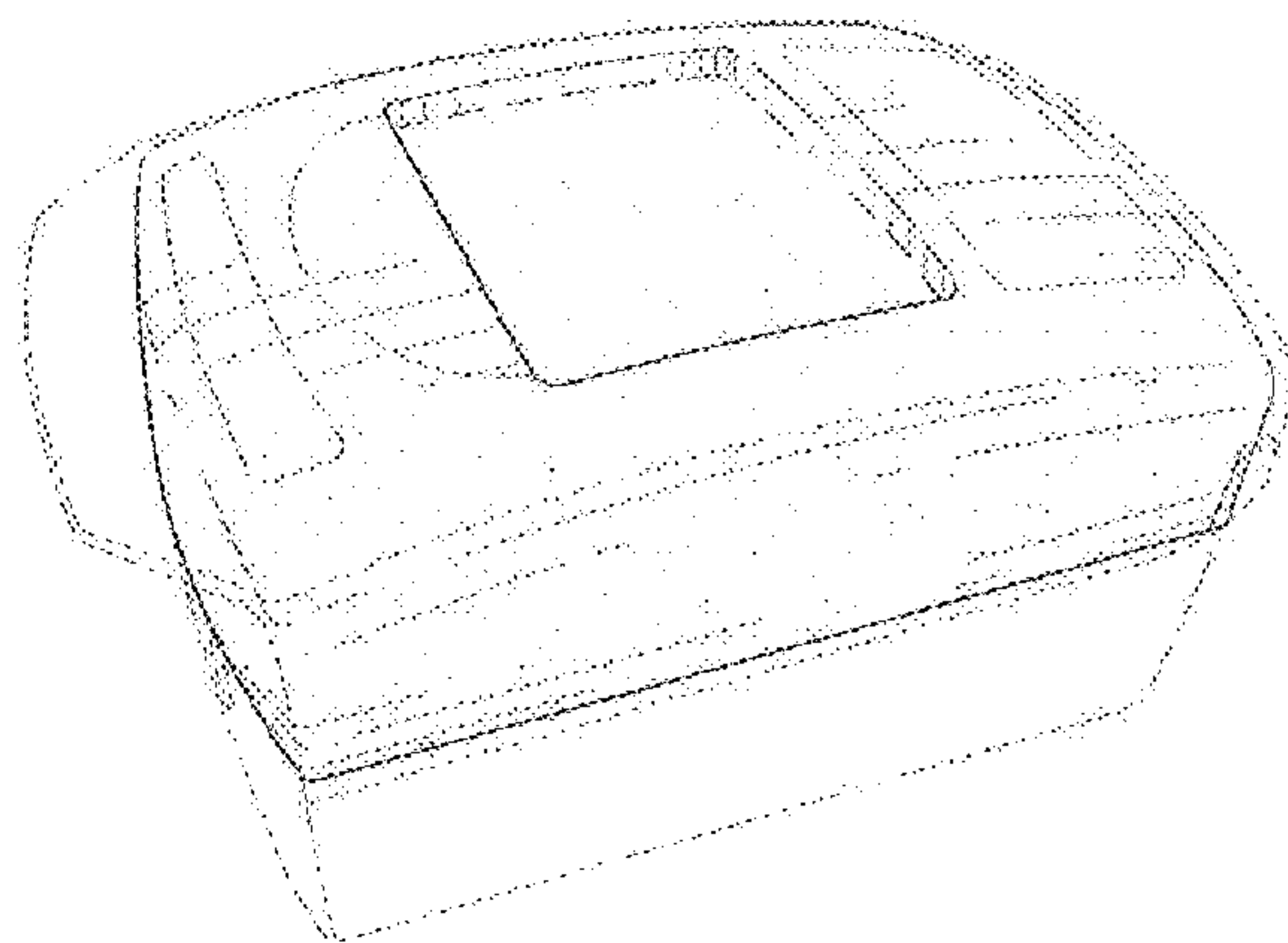
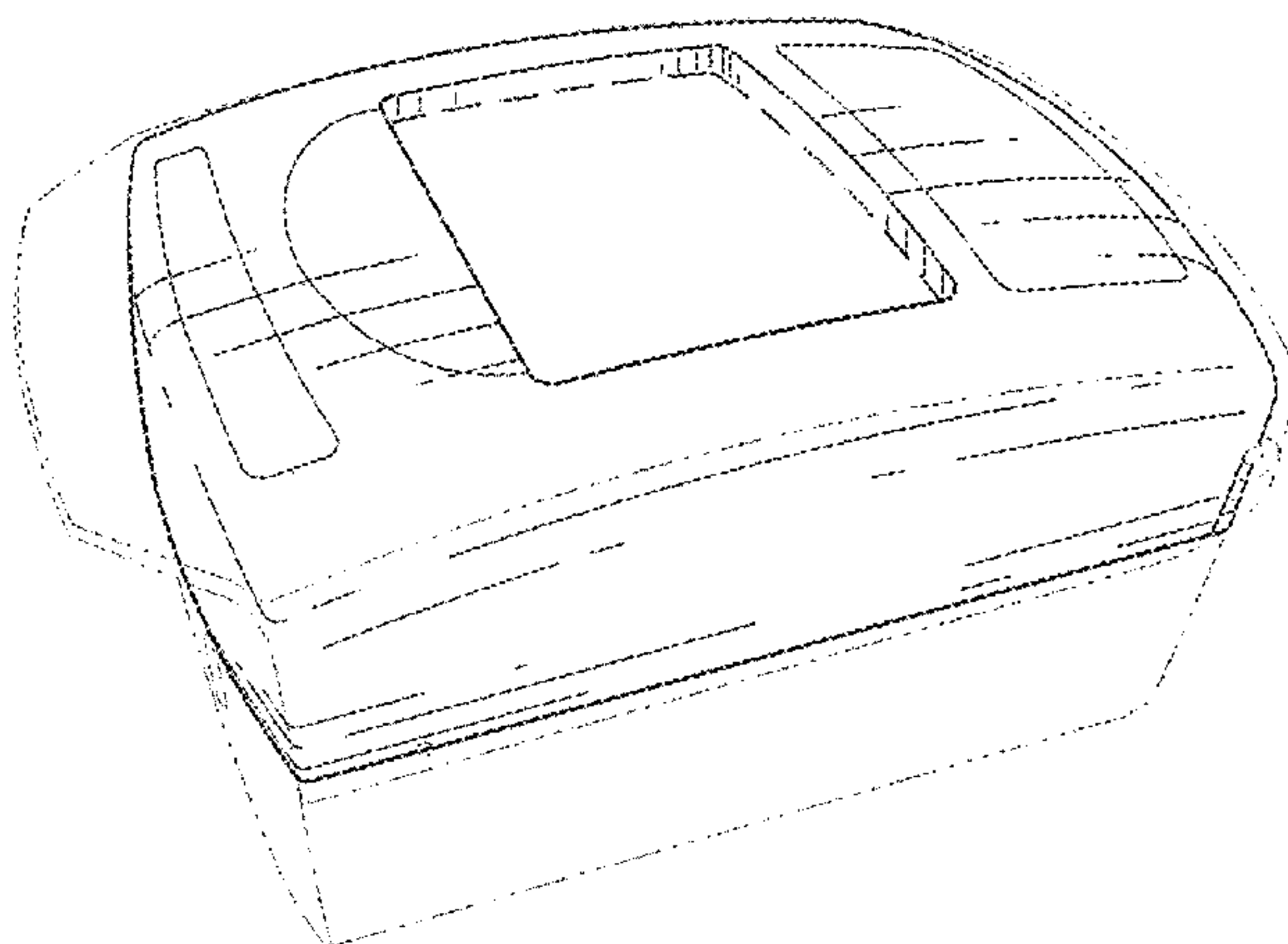
FIG. 11 is a left side plan view of a call box, with broken, phantom lines indicating a raised cover for a front of the call box and a spacer for a rear of the call box;

FIG. 12 is an end or bottom plan view of a call box, with broken, phantom lines indicating a raised cover for a front of the call box and a spacer for a rear of the call box;

FIG. 13 is a top plan view of a call box, with broken, phantom lines indicating a raised cover for a front of the call box and a spacer for a rear of the call box;

FIG. 14 is an elevated front left perspective view of a further embodiment of a call box, with broken, phantom lines

(Continued)



indicating a lowered cover for a front of the call box, a spacer for a rear of the call box, and a recessed area of the front of the call box;

FIG. 15 is an elevated front left perspective view of the further embodiment of a call box, with broken, phantom lines indicating a raised cover for a front of the call box, a spacer for a rear of the call box, and a recessed area of the front of the call box;

FIG. 16 is a front plan view of the further embodiment of a call box, with broken, phantom lines indicating a lowered cover for a front of the call box;

FIG. 17 is a rear view of the further embodiment of the call box, with broken, phantom lines indicating a lowered cover for a front of the call box and a spacer for a rear of the call box and a recessed area of the front of the call box;

FIG. 18 is a right side plan view of the further embodiment of the call box, with broken, phantom lines indicating a lowered cover for a front of the call box and a spacer for a rear of the call box;

FIG. 19 is a left side plan view of the further embodiment of the call box, with broken, phantom lines indicating a lowered cover for a front of the call box and a spacer for a rear of the call box;

FIG. 20 is an end or bottom plan view of the further embodiment of the call box, with broken, phantom lines indicating a lowered cover for a front of the call box and a spacer for a rear of the call box;

FIG. 21 is an top plan view of the further embodiment of the call box, with broken, phantom lines indicating a lowered cover for a front of the call box and a spacer for a rear of the call box;

FIG. 22 is a front plan view of the further embodiment of the call box, with broken, phantom lines indicating a raised cover for a front of the call box and a recessed area of the front of the call box;

FIG. 23 is a right side plan view of the further embodiment of the call box, with broken, phantom lines indicating a raised cover for a front of the call box and a spacer for a rear of the call box;

FIG. 24 is a left side plan view of the further embodiment of the call box, with broken, phantom lines indicating a raised cover for a front of the call box and a spacer for a rear of the call box;

FIG. 25 is an end or bottom plan view of the further embodiment of the call box, with broken, phantom lines indicating a raised cover for a front of the call box and a spacer for a rear of the call box; and,

FIG. 26 is an top plan view of the further embodiment of the call box, with broken, phantom lines indicating a raised cover for a front of the call box and a spacer for a rear of the call box.

In the drawings, the dash-dash broken lines illustrate portions of the call box that form no part of the claimed design. The dot-dot-dash broken lines depict environmental subject matter and form no part of the claimed design.

**1 Claim, 14 Drawing Sheets**

(58) **Field of Classification Search**

USPC ... D10/119.1, 121, 125, 126, 132; D14/159;  
D13/123, 133, 146-149, 153, 154, 156,  
D13/158, 183  
CPC ..... G08B 17/06; G08B 17/10; G08B 17/103;  
G08B 17/107; G08B 21/12; G08B 21/22;  
G08B 15/00; H04M 11/02; H04M  
11/025; H04N 7/186

See application file for complete search history.

(56) **References Cited**

U.S. PATENT DOCUMENTS

D478,832	S	*	8/2003	Dipple .....	D10/106.1
D490,396	S	*	5/2004	Yamaguchi .....	D14/142
D501,419	S	*	2/2005	Oja .....	D10/104.1
D615,438	S	*	5/2010	Goetzl .....	D10/104.1
D669,799	S	*	10/2012	Okudaira .....	D10/47
D700,084	S	*	2/2014	Hsu .....	D10/70
D720,246	S	*	12/2014	Shigeno .....	D10/70
D726,134	S	*	4/2015	Prendes .....	D10/104.1
D750,514	S	*	3/2016	Levinson .....	D10/70
D777,592	S	*	1/2017	Benoit .....	D10/104.1
D801,840	S	*	11/2017	Dwyer .....	D10/104.1

\* cited by examiner



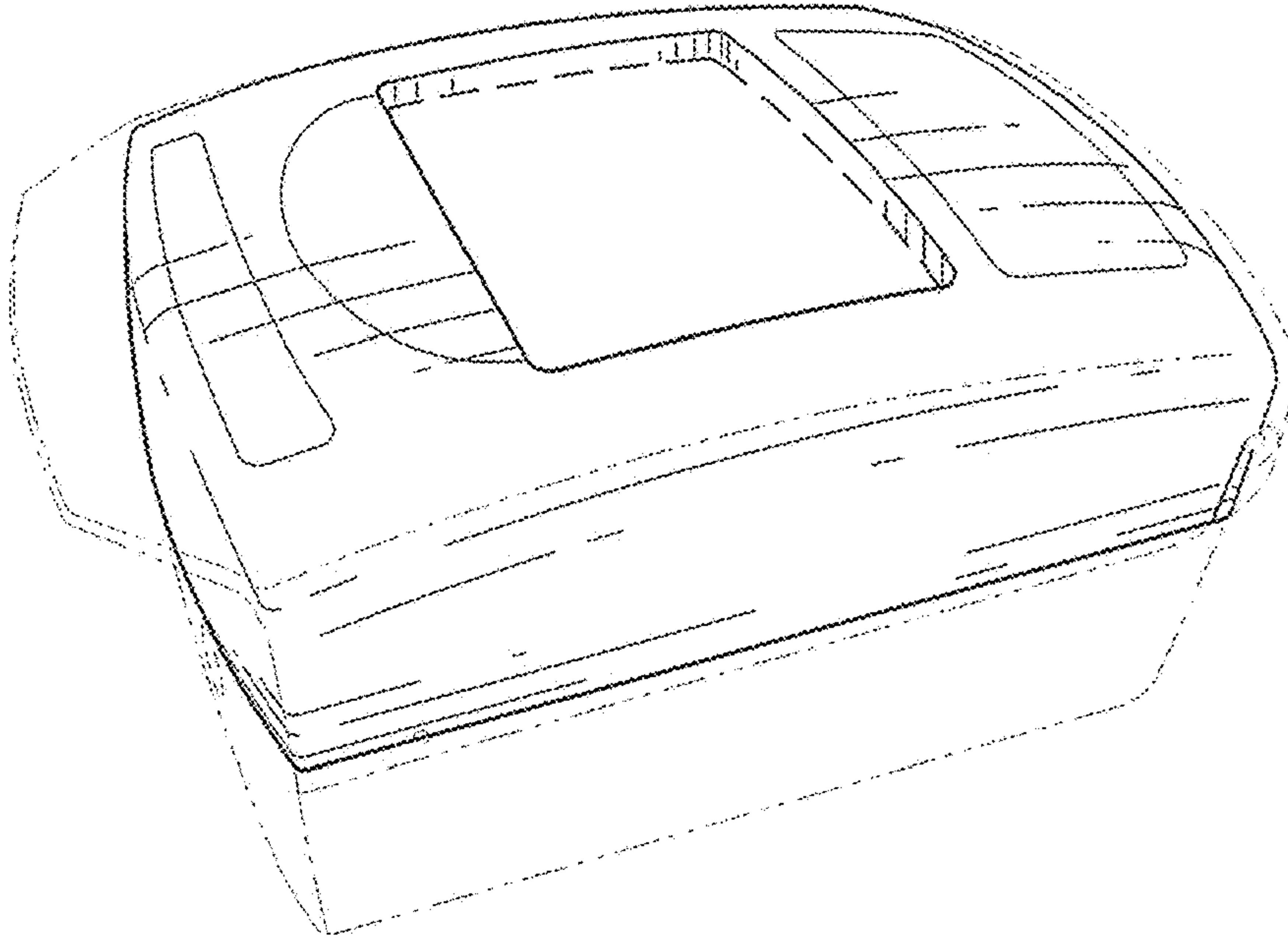


Fig-1

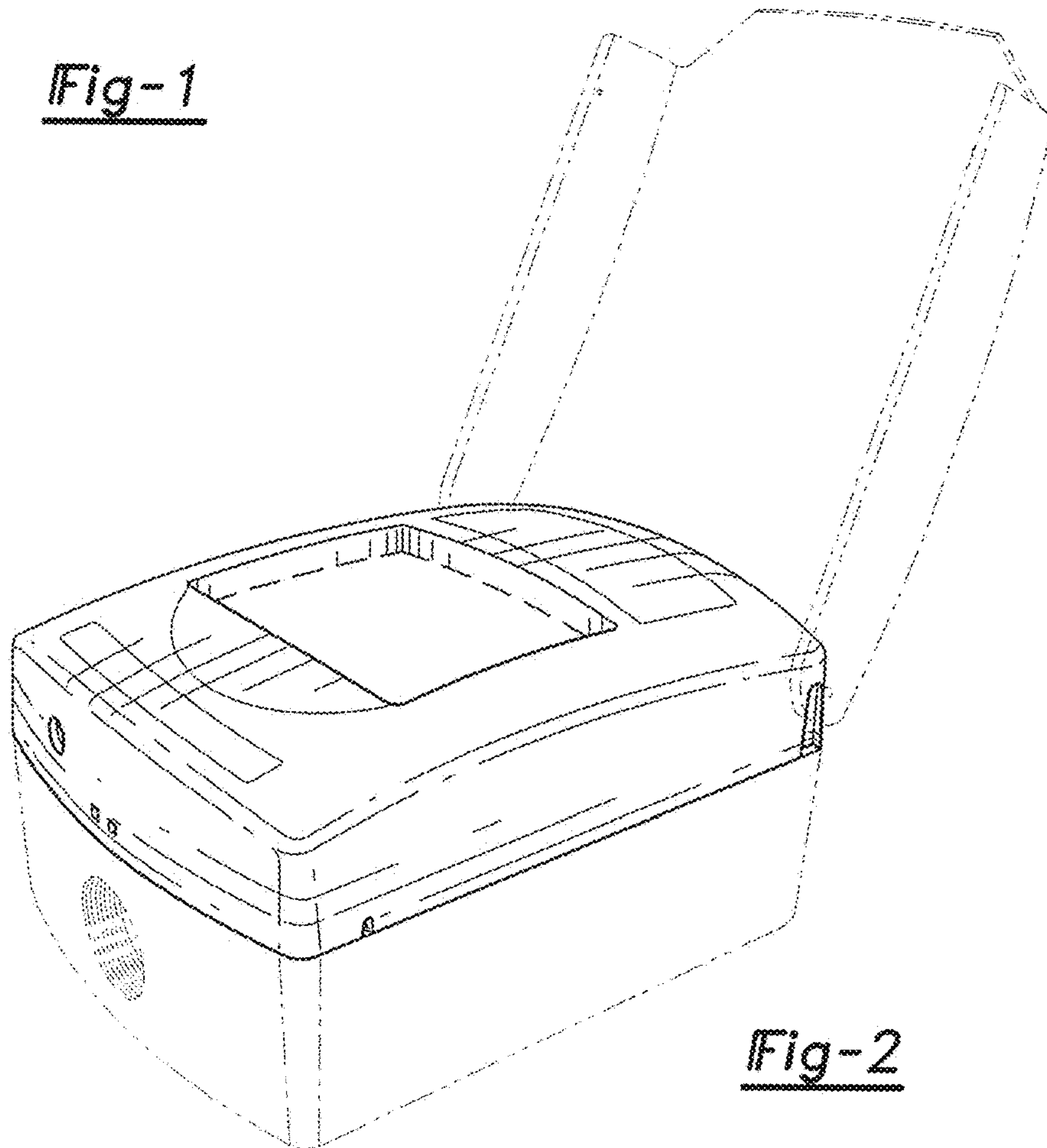


Fig-2

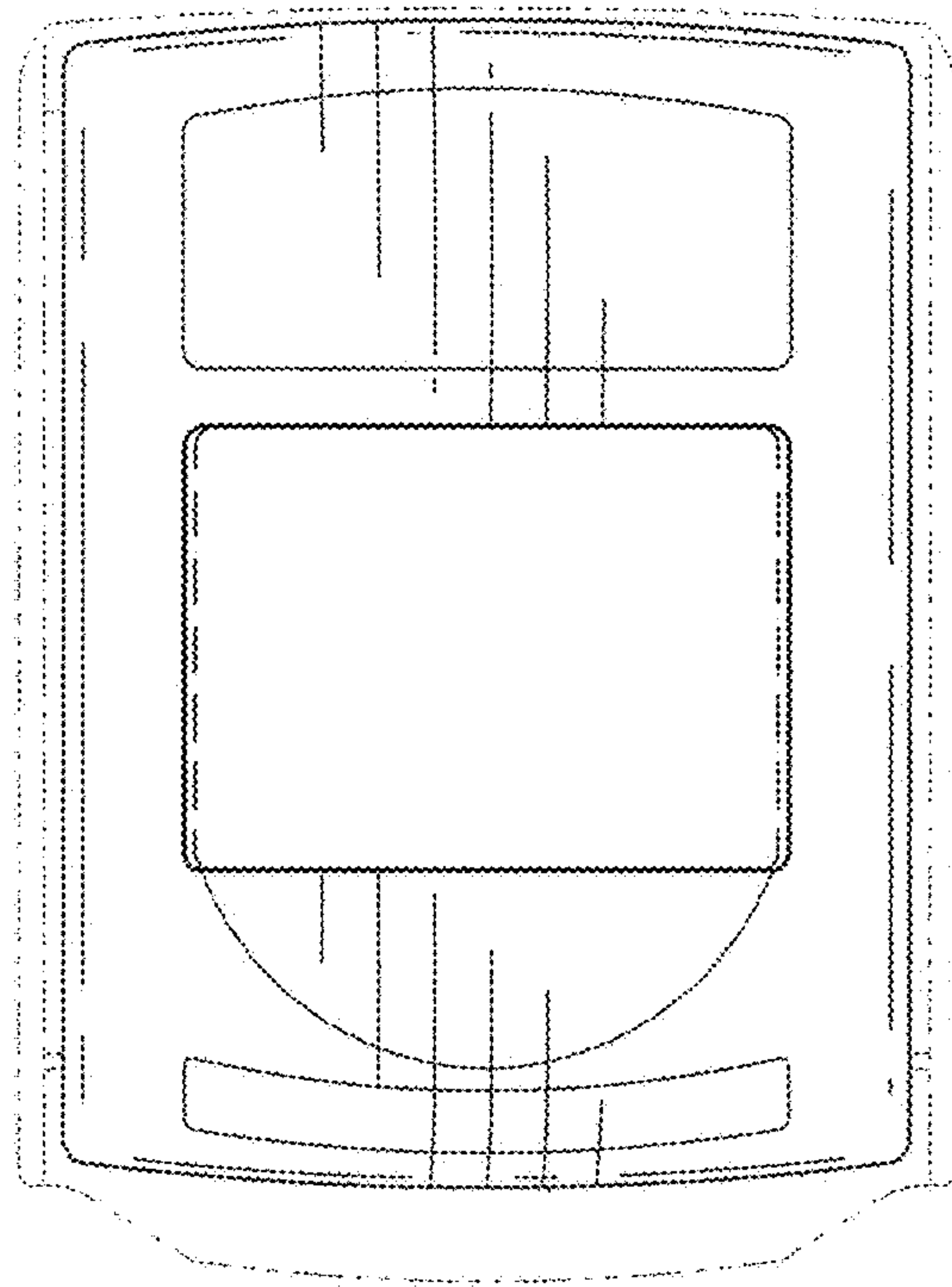


Fig-3

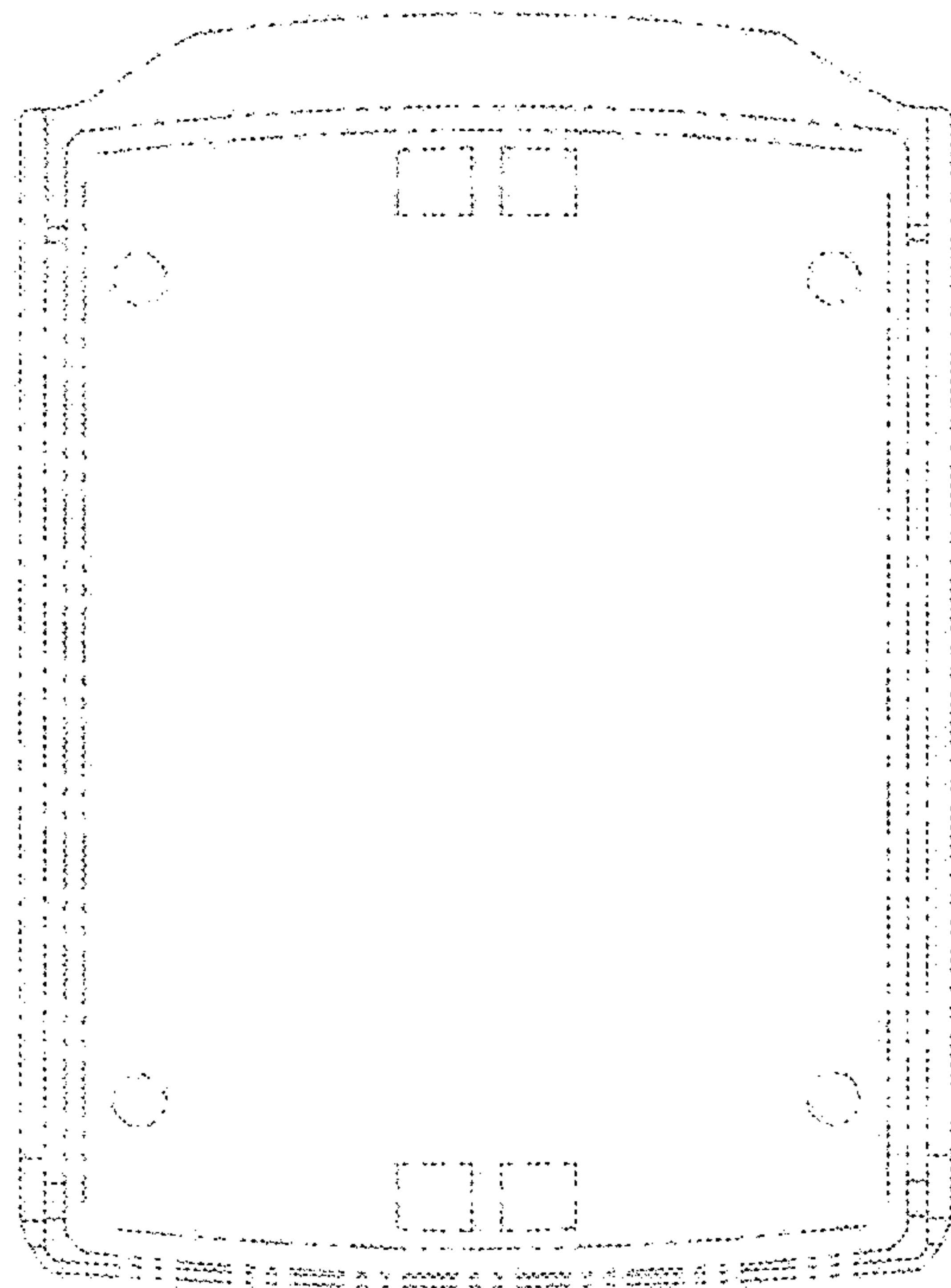


Fig-4

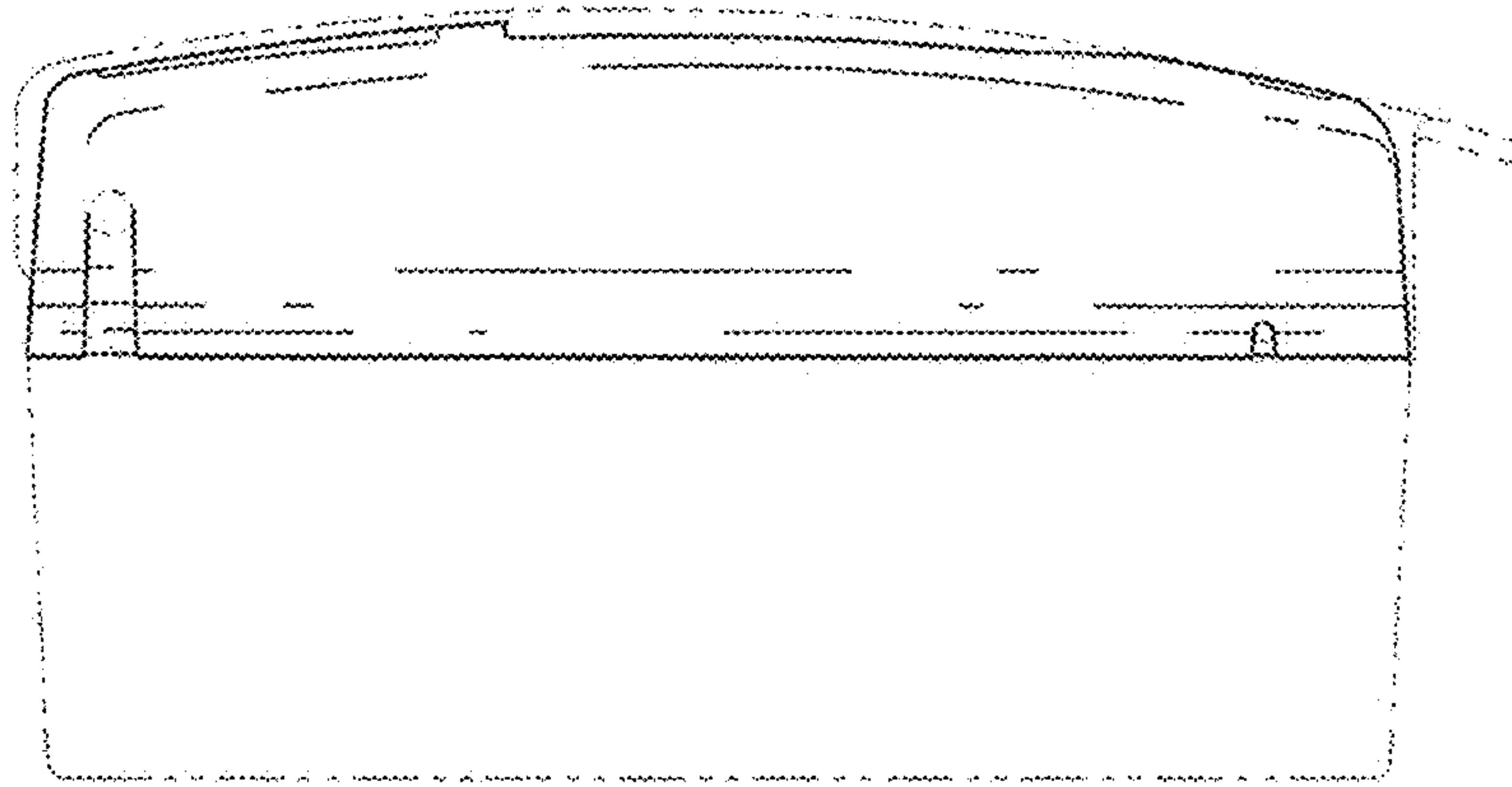


Fig-5

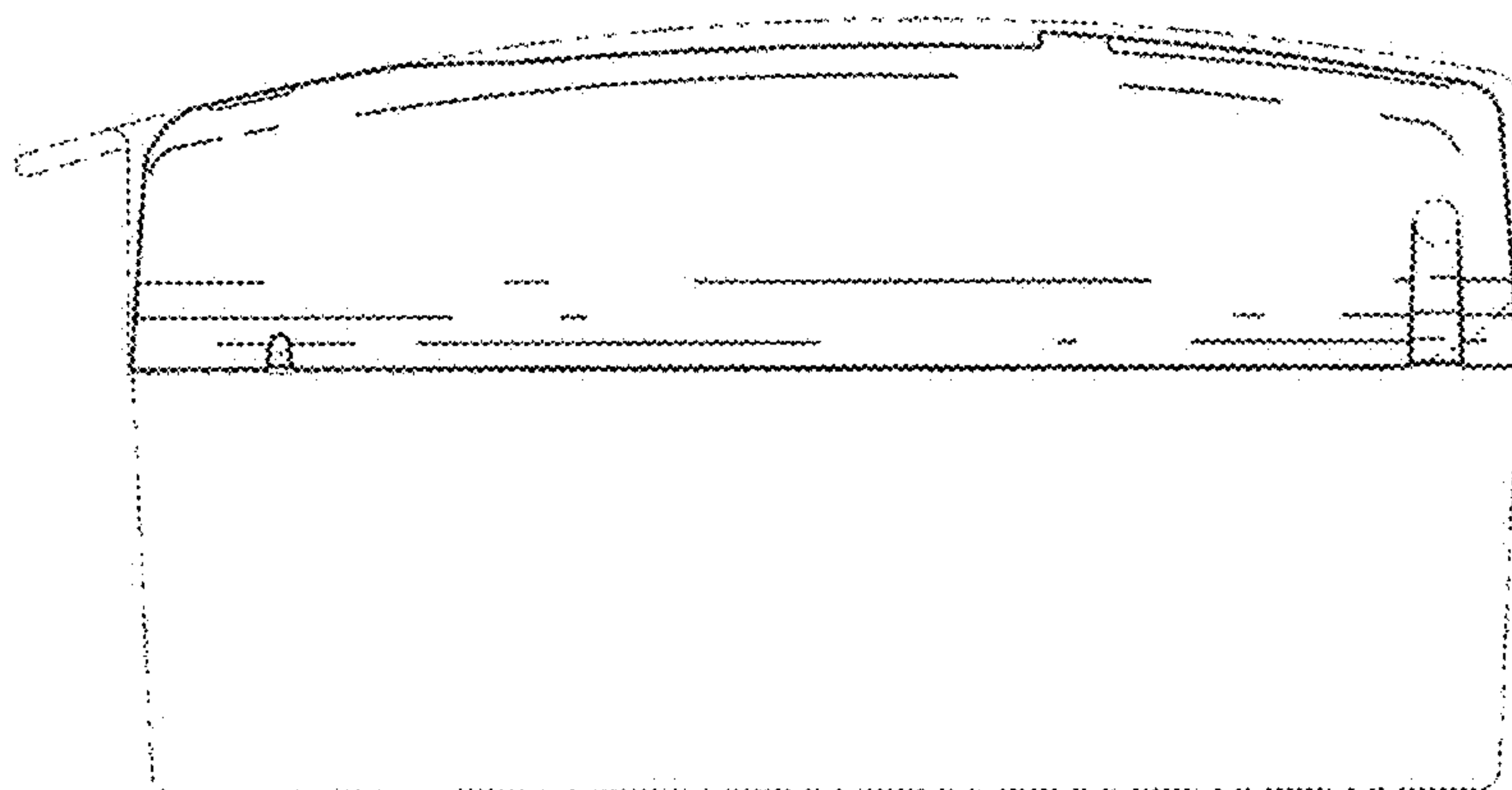


Fig-6

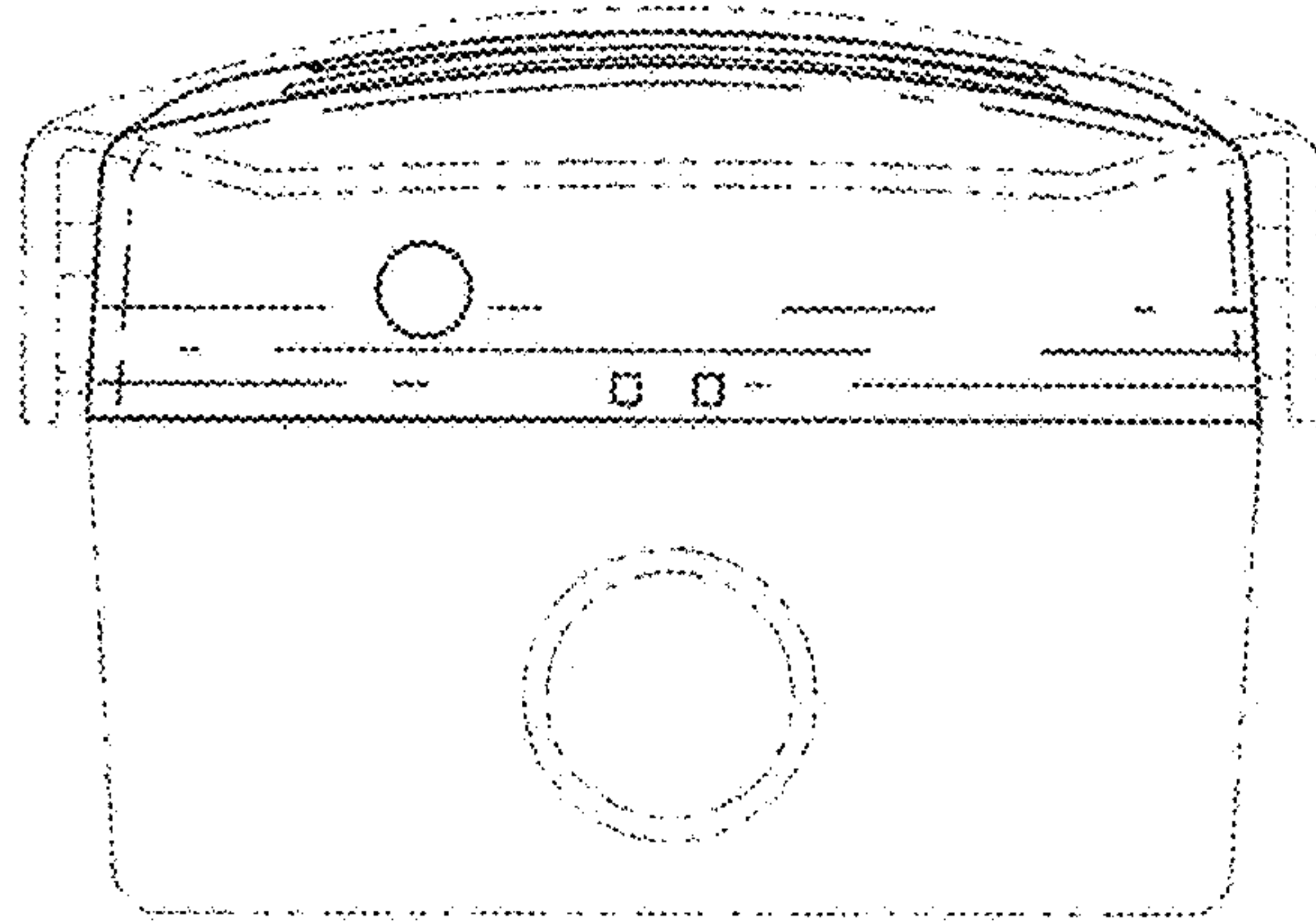


Fig-7

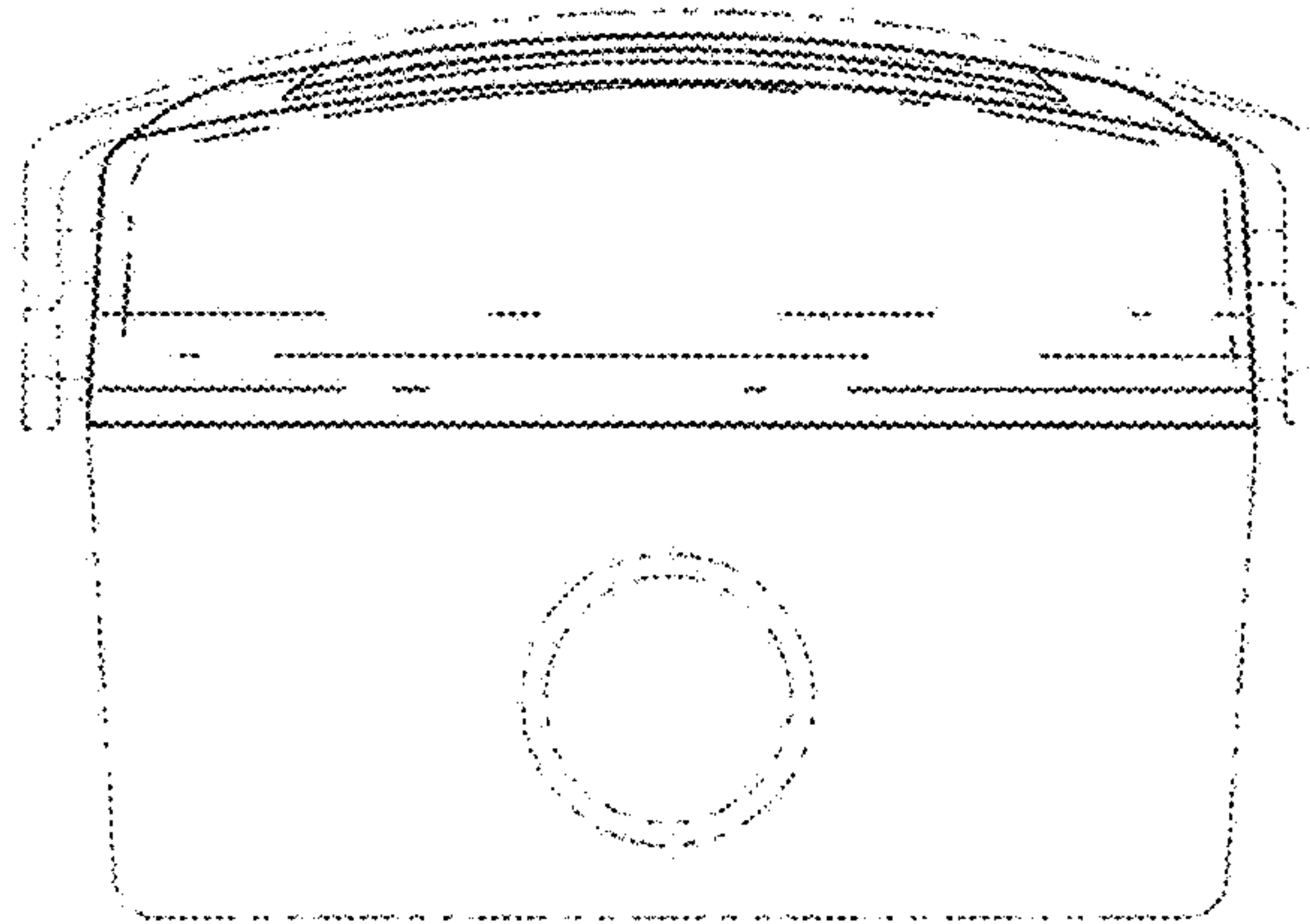


Fig-8

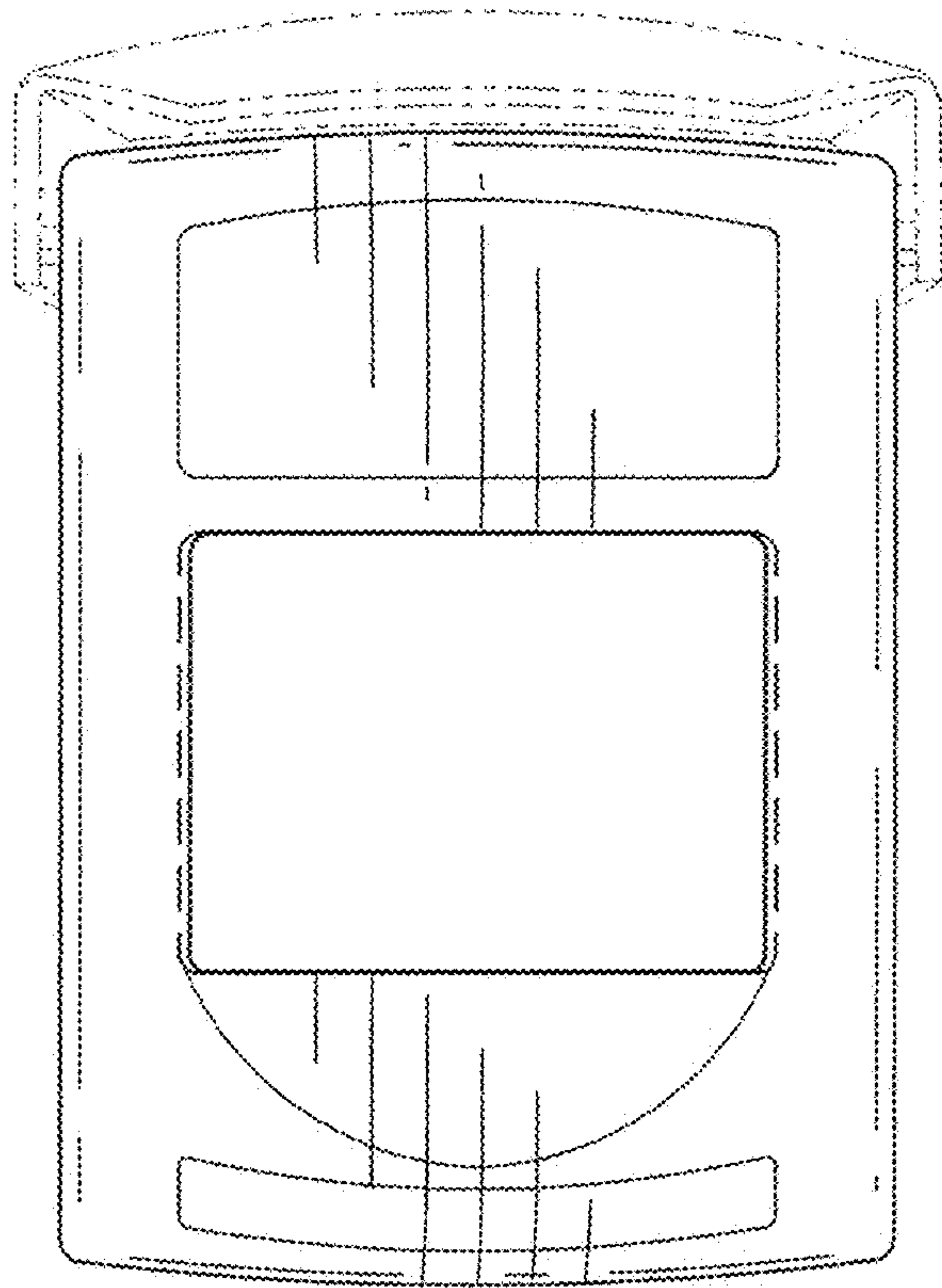


Fig-9

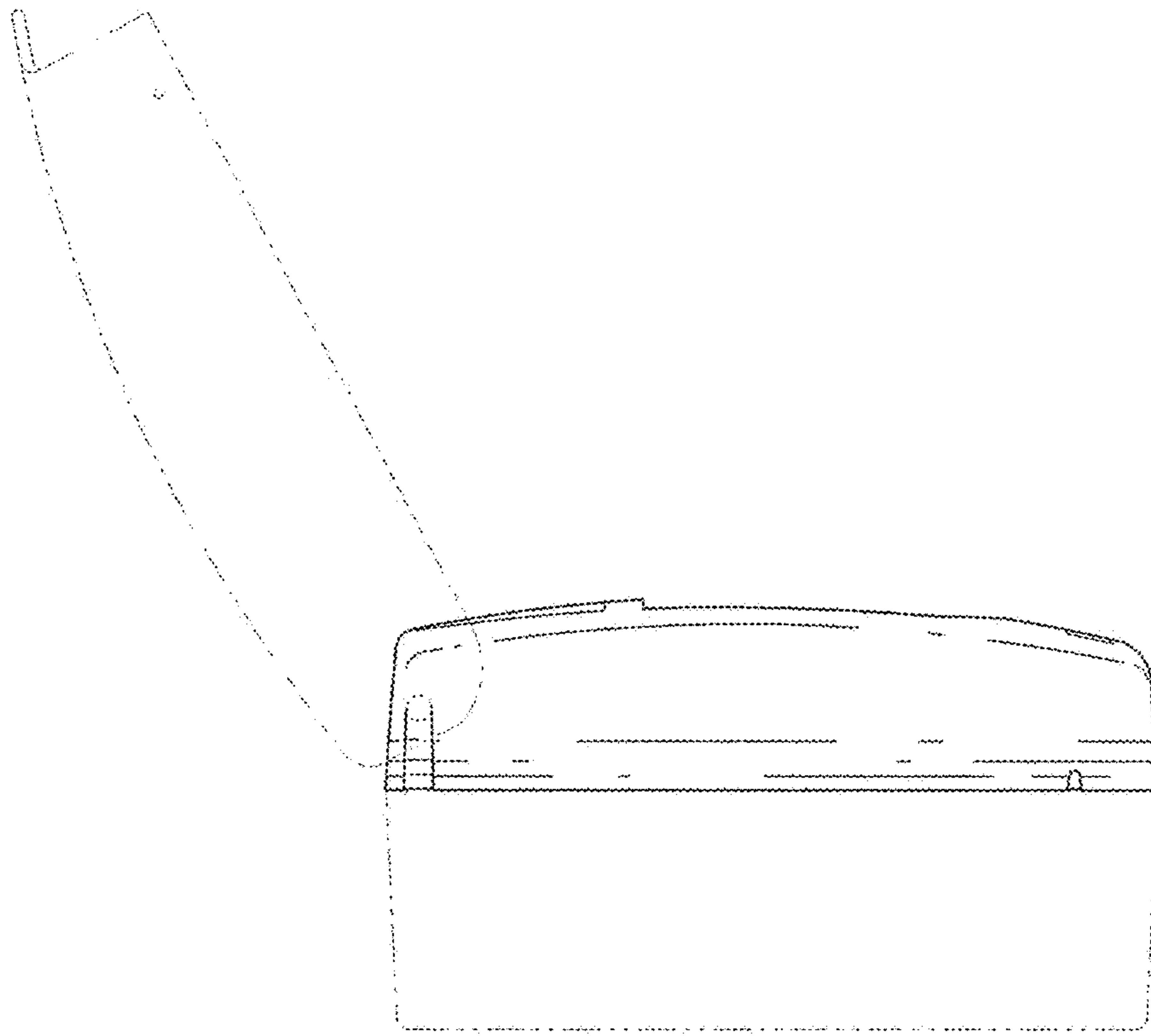


Fig-10

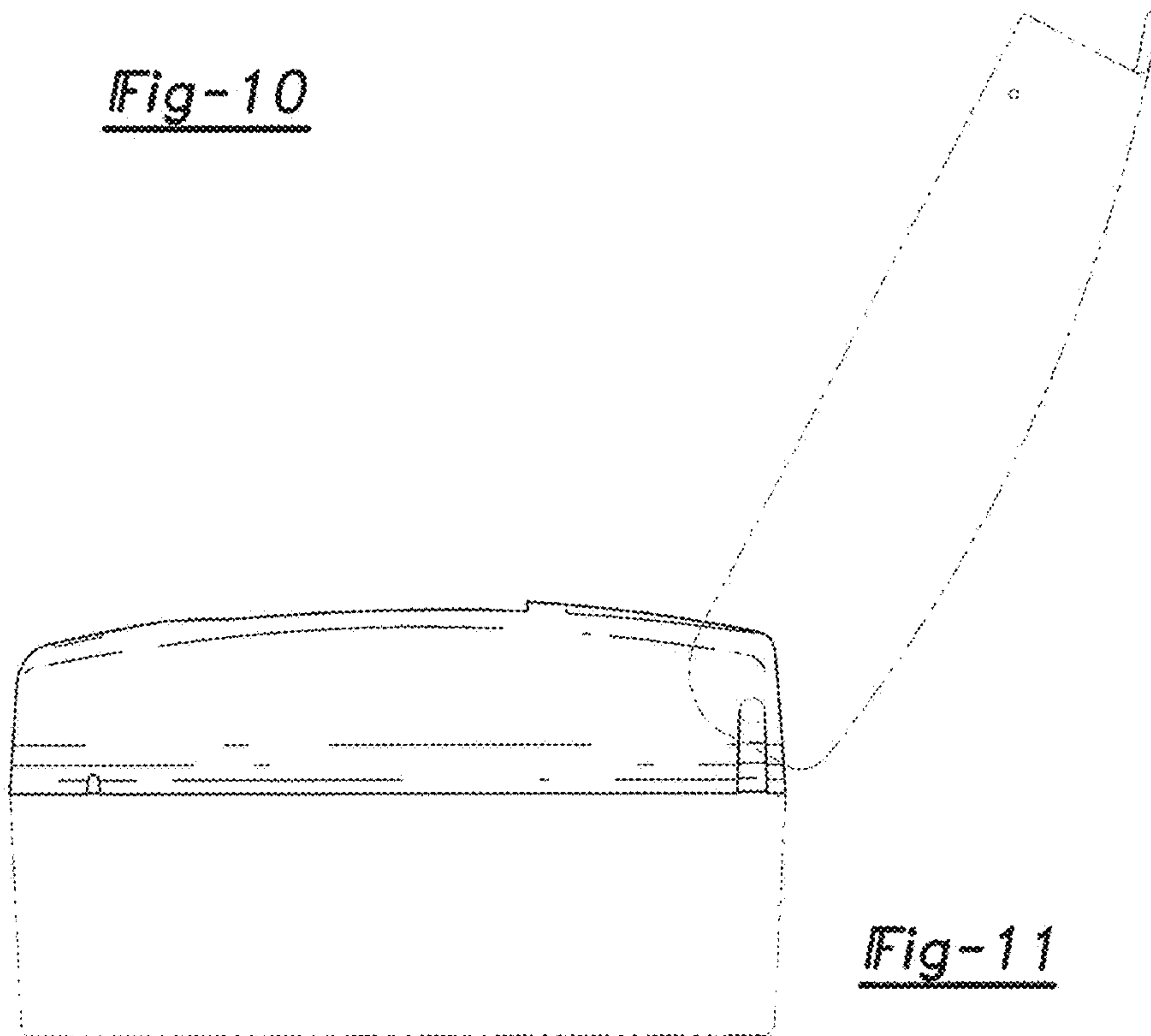


Fig-11



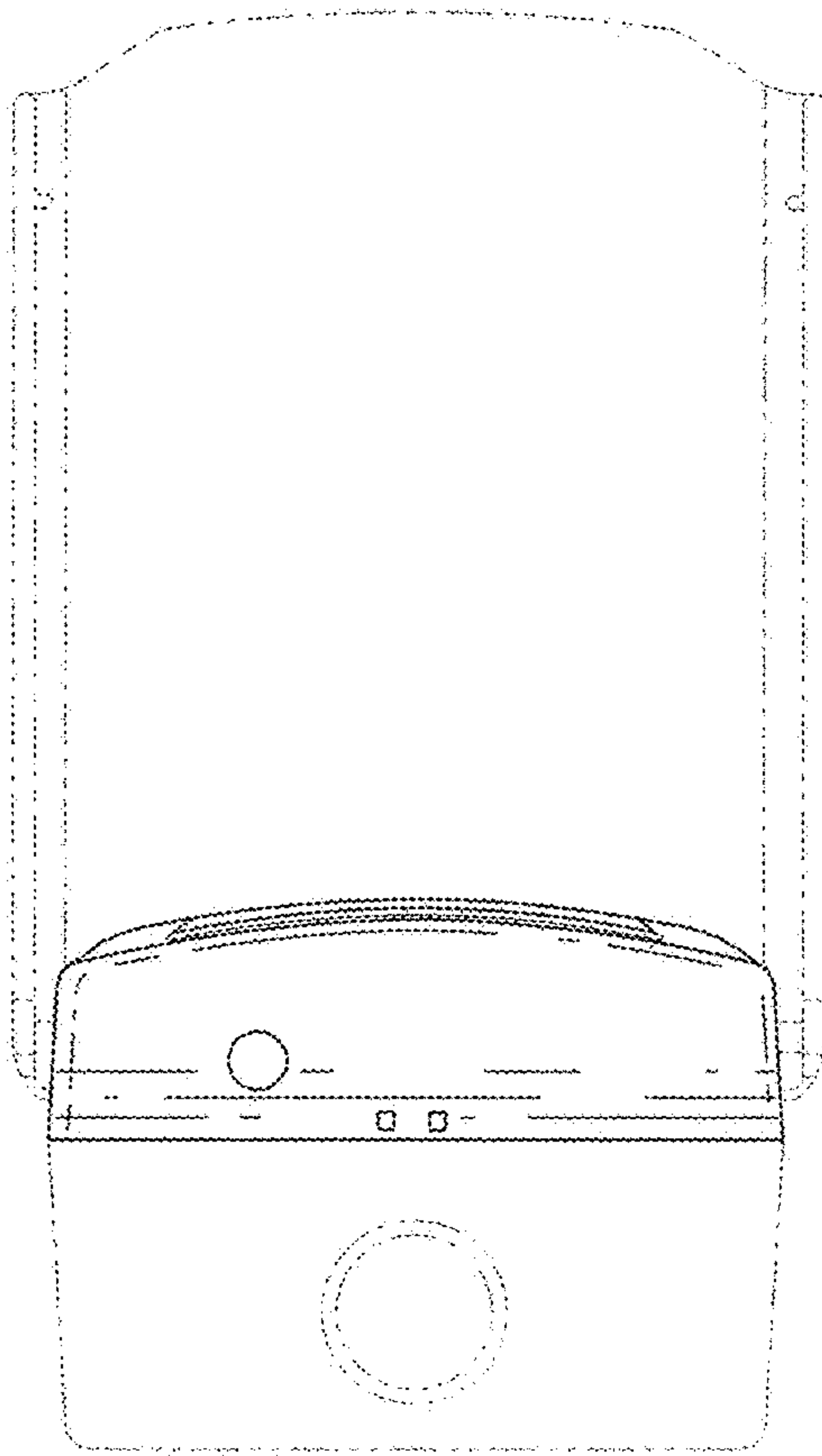


Fig-12

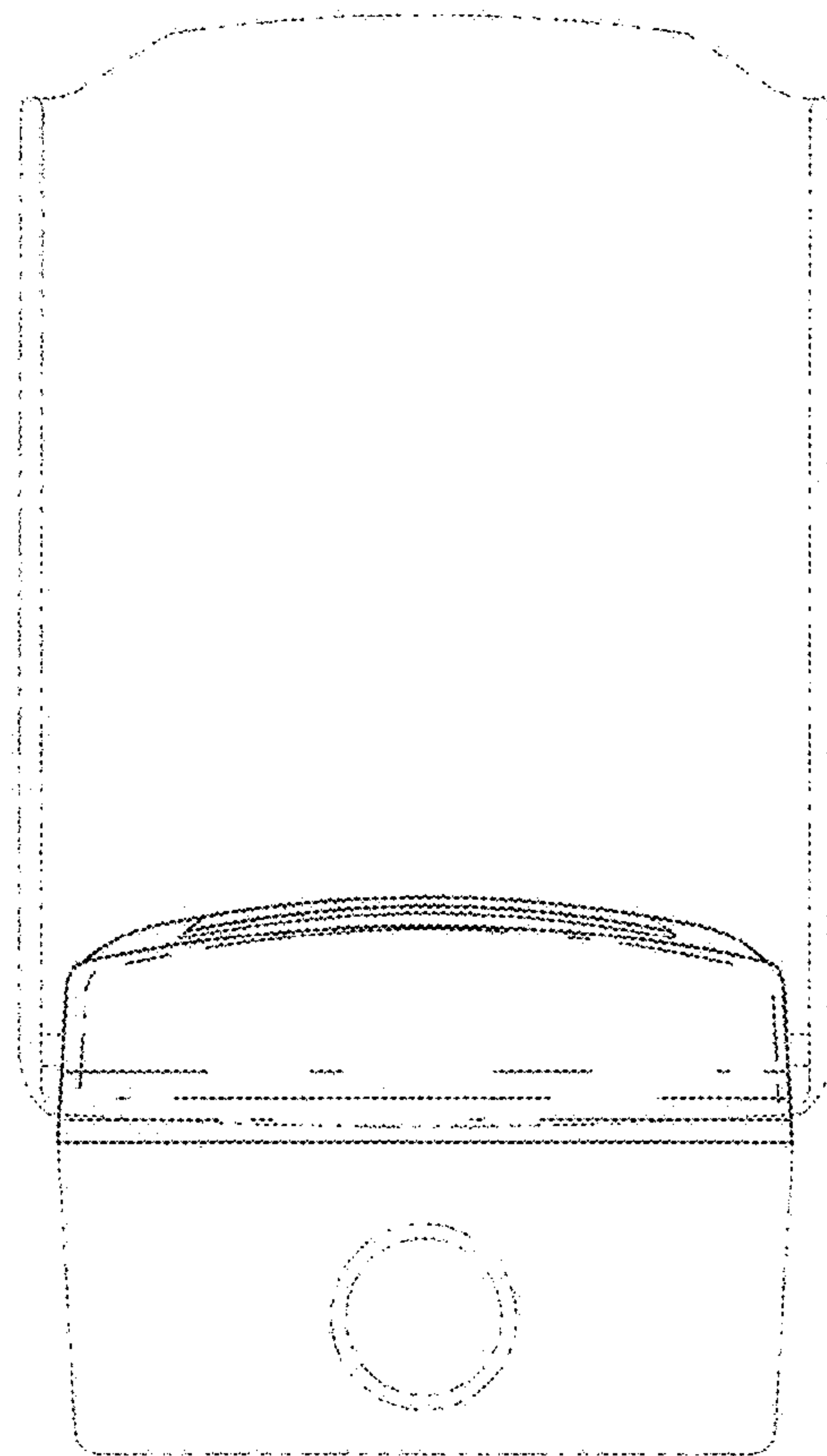


Fig-13

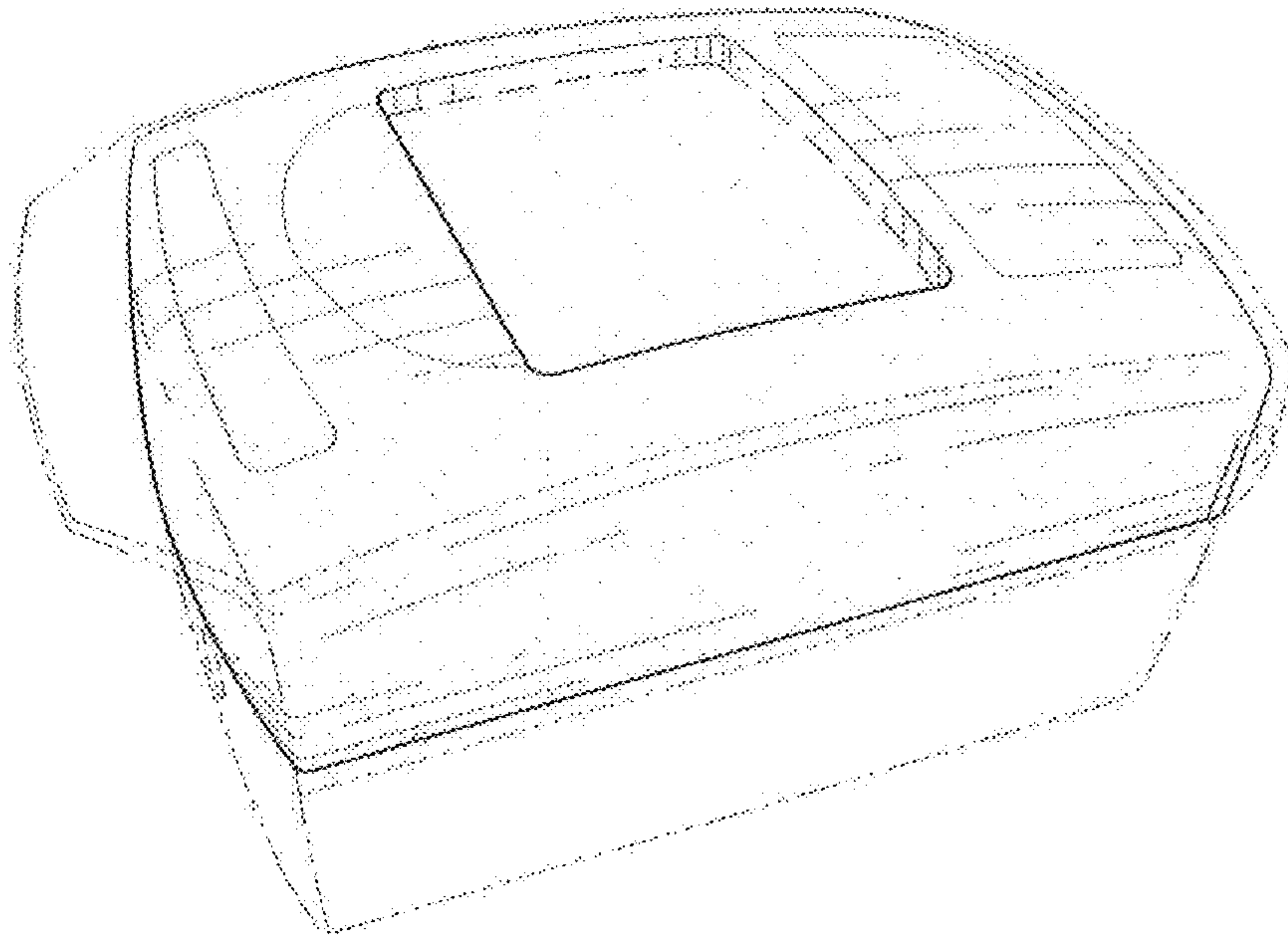


Fig-14

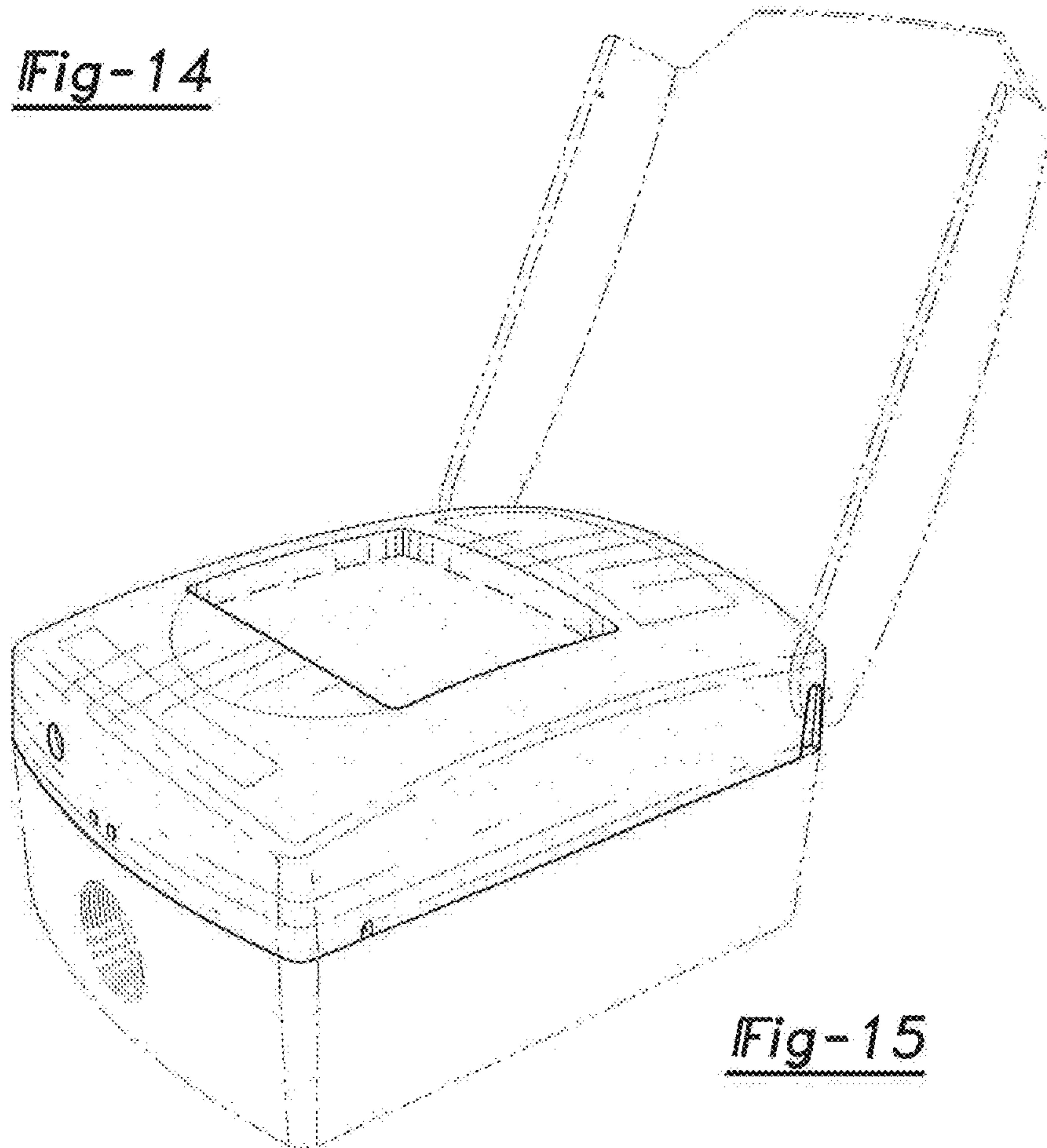


Fig-15

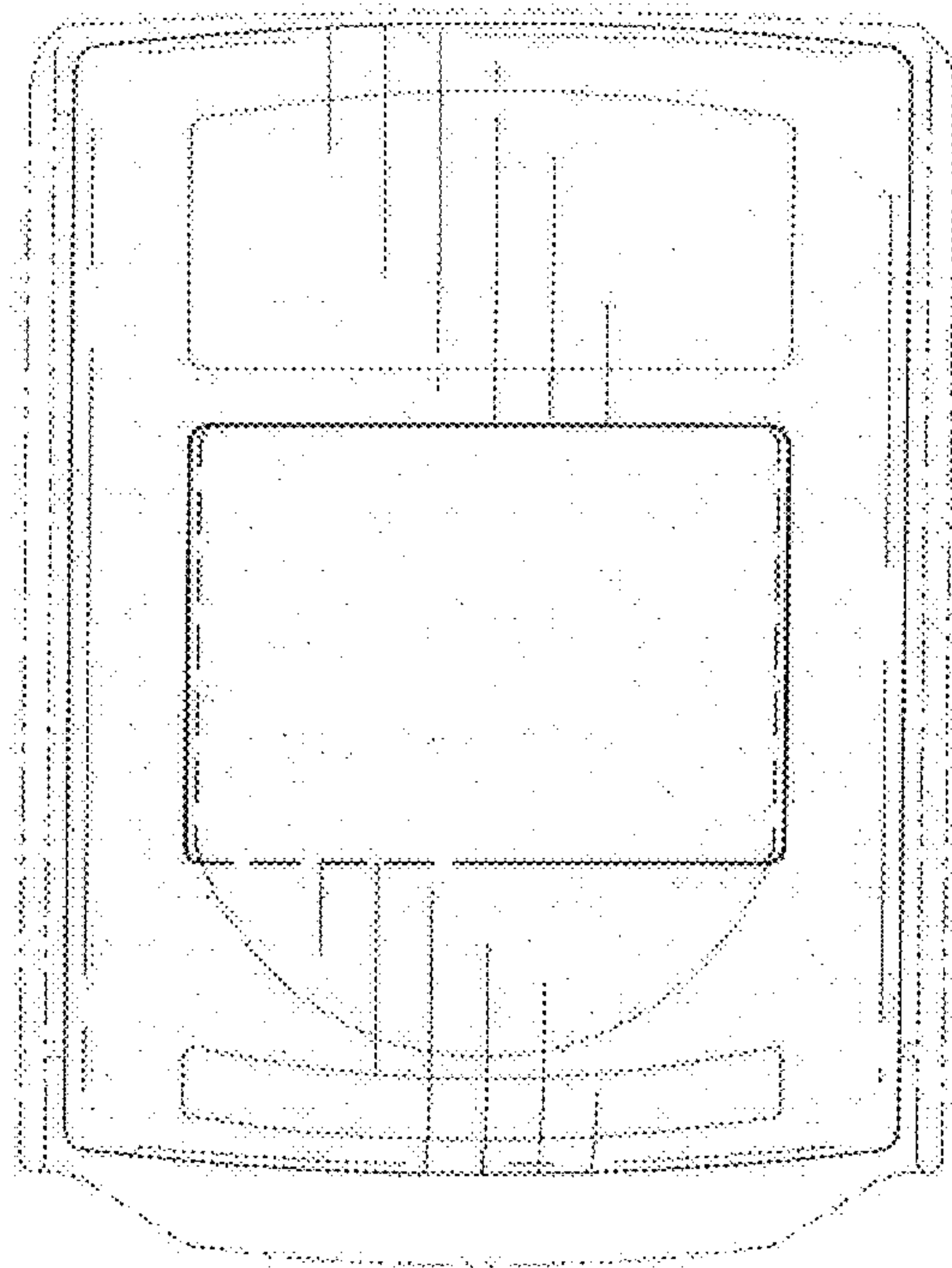


Fig-16

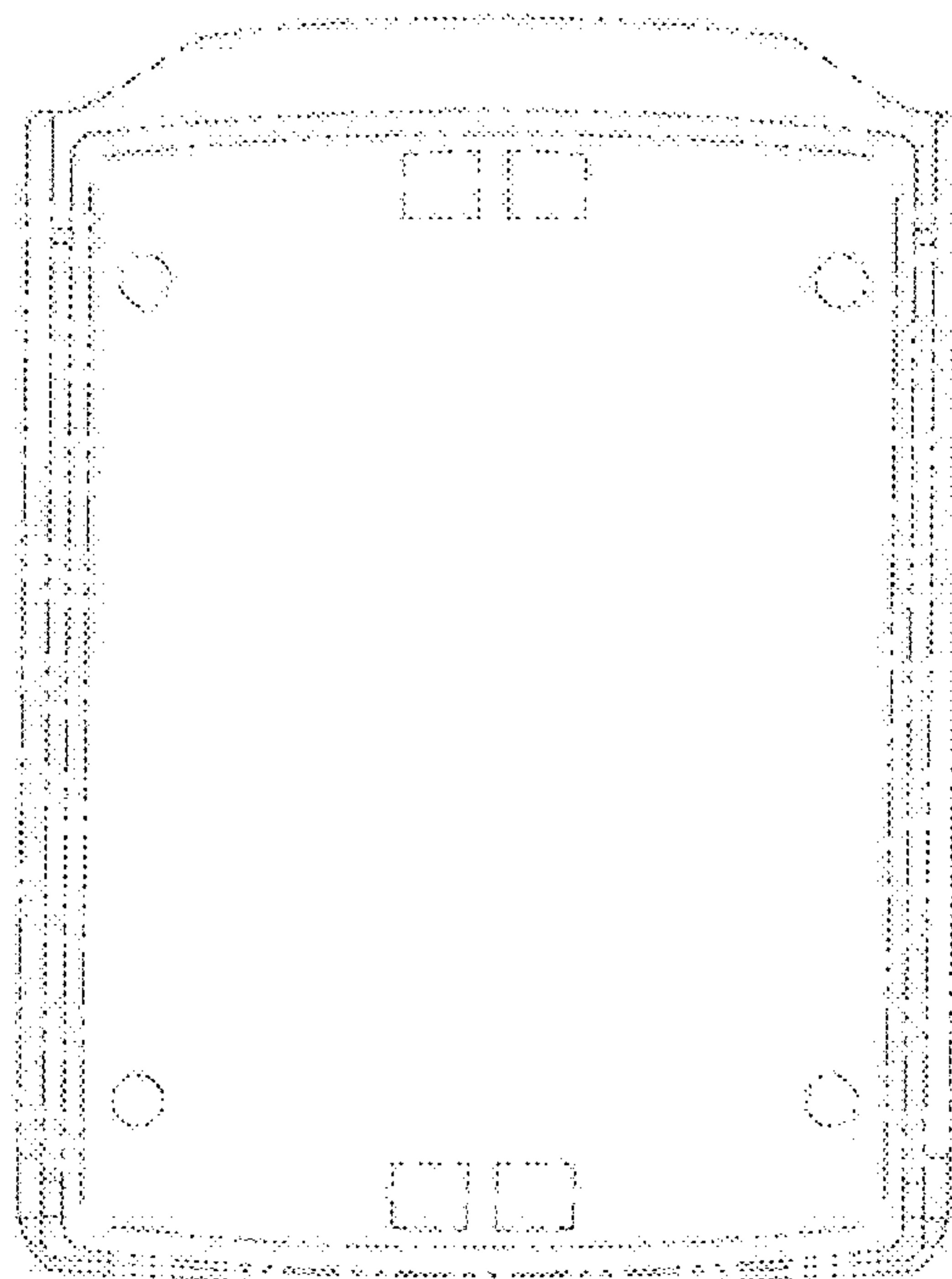


Fig-17

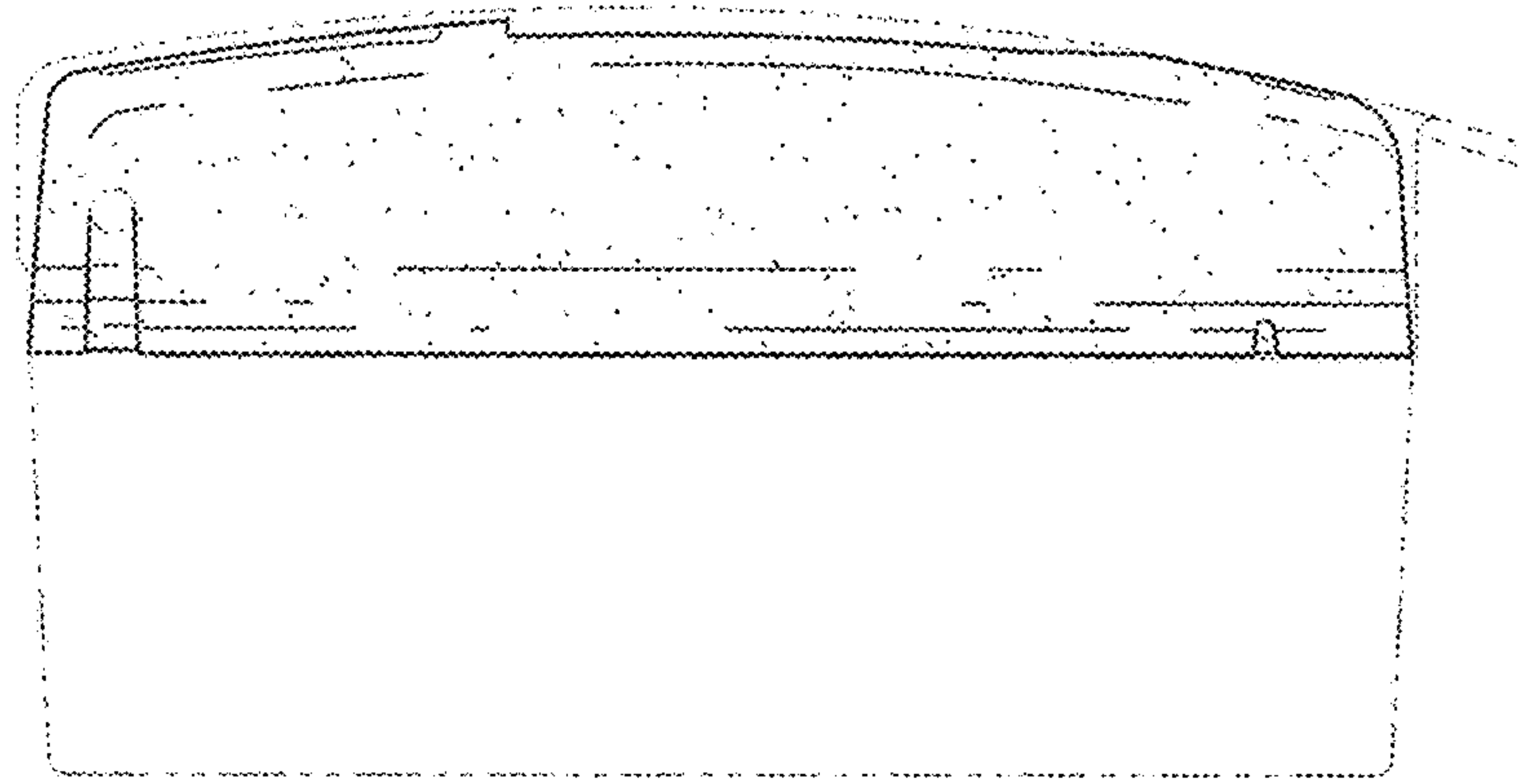


Fig-18

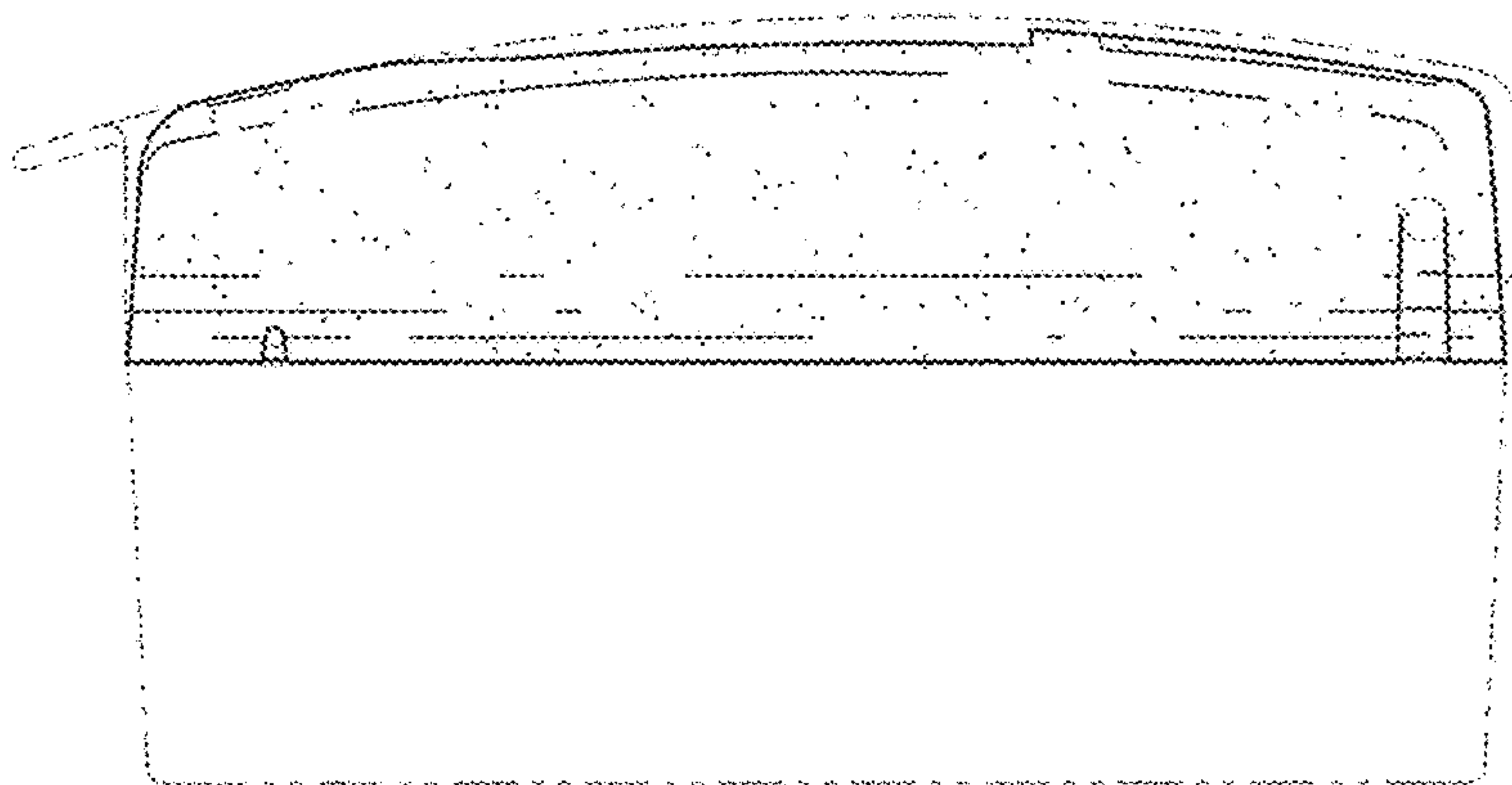


Fig-19



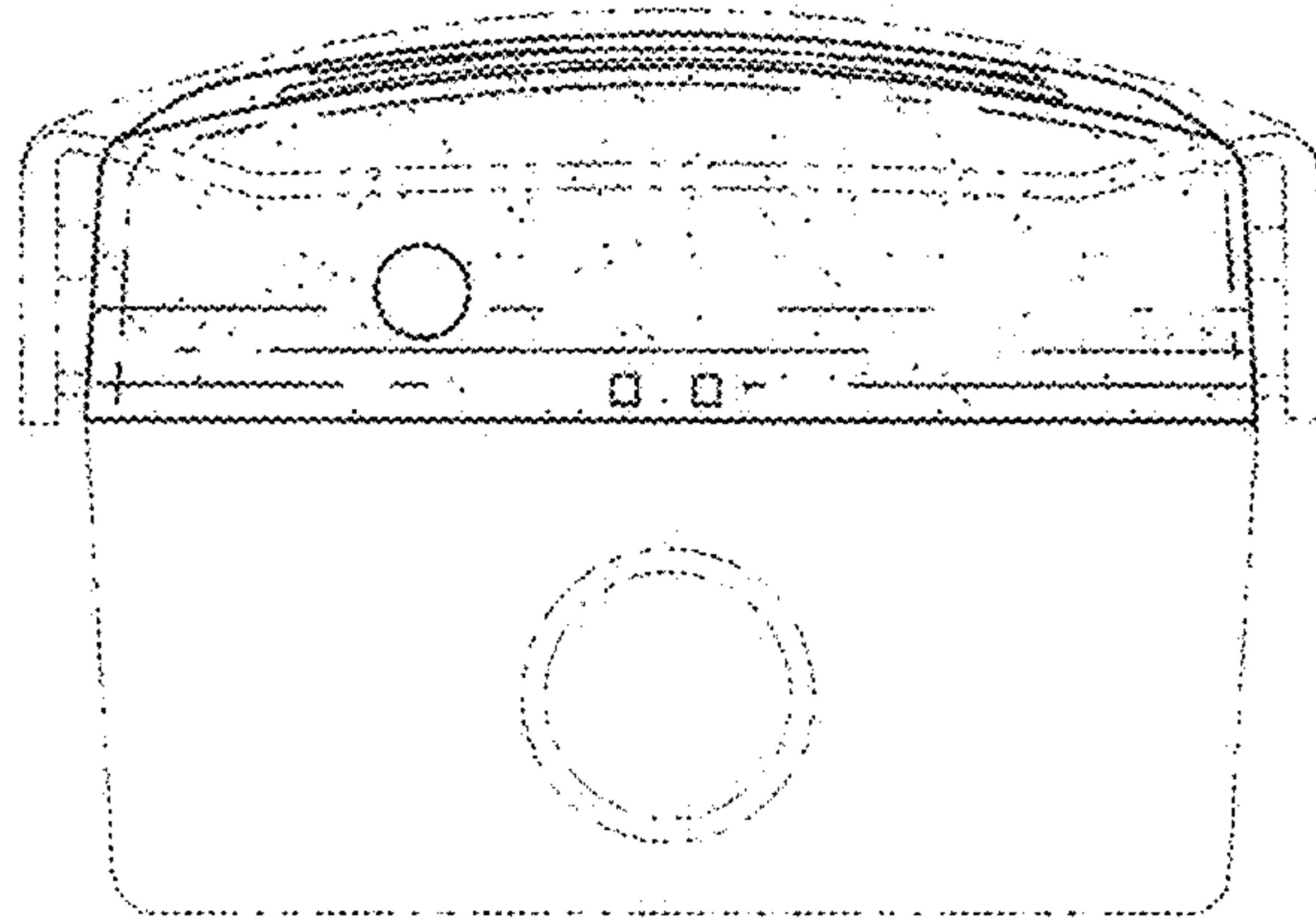


Fig-20

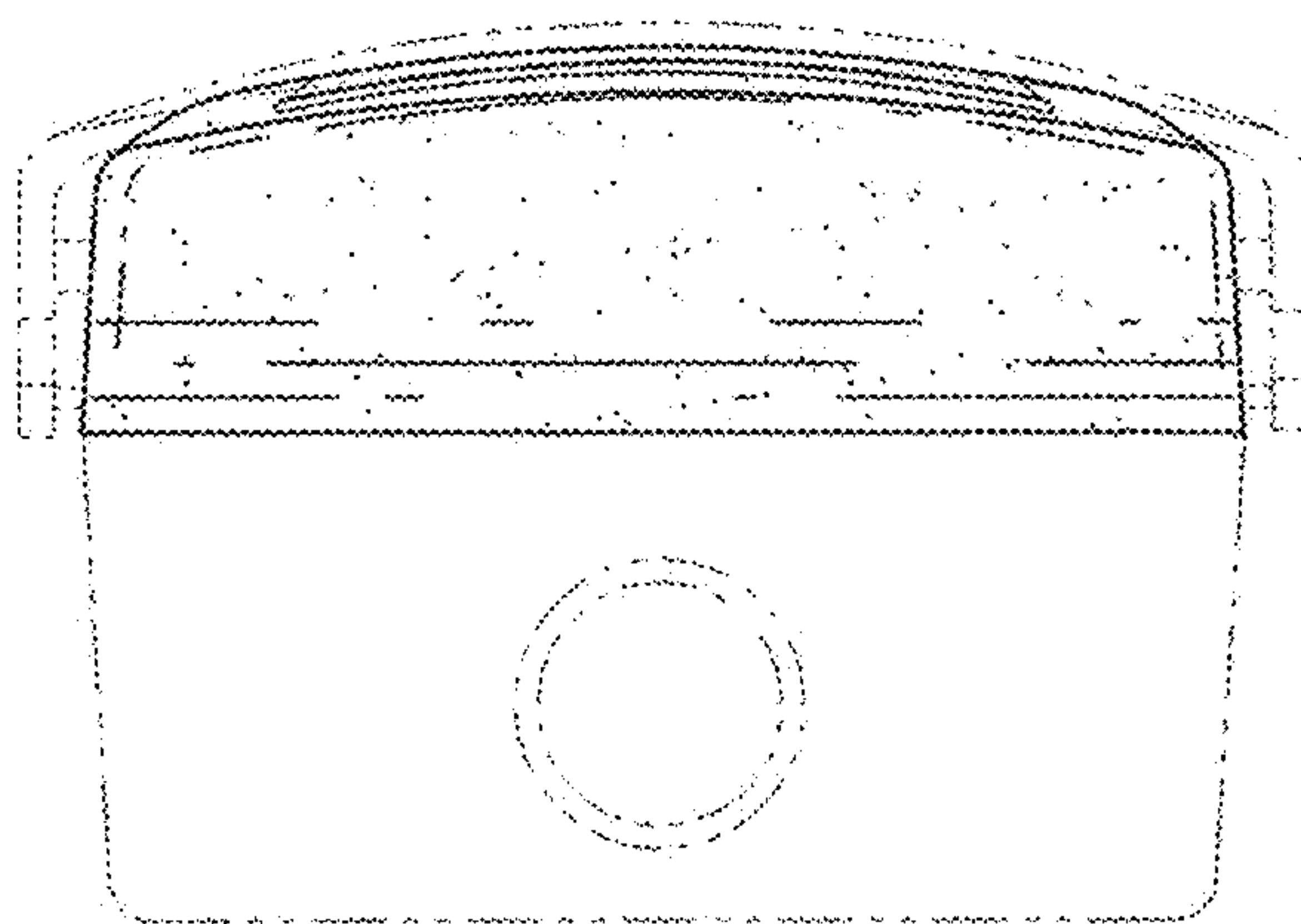


Fig-21

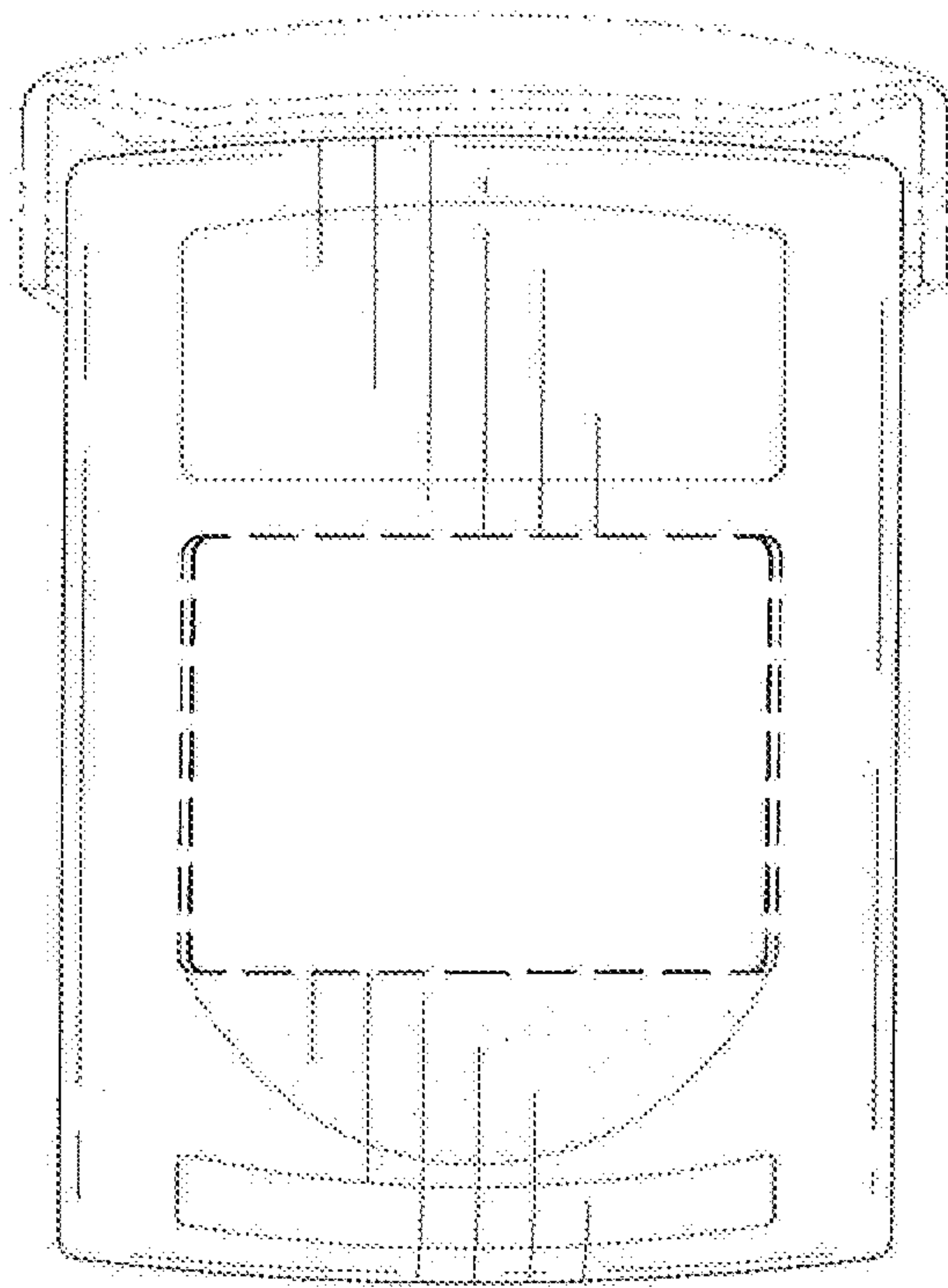


Fig-22

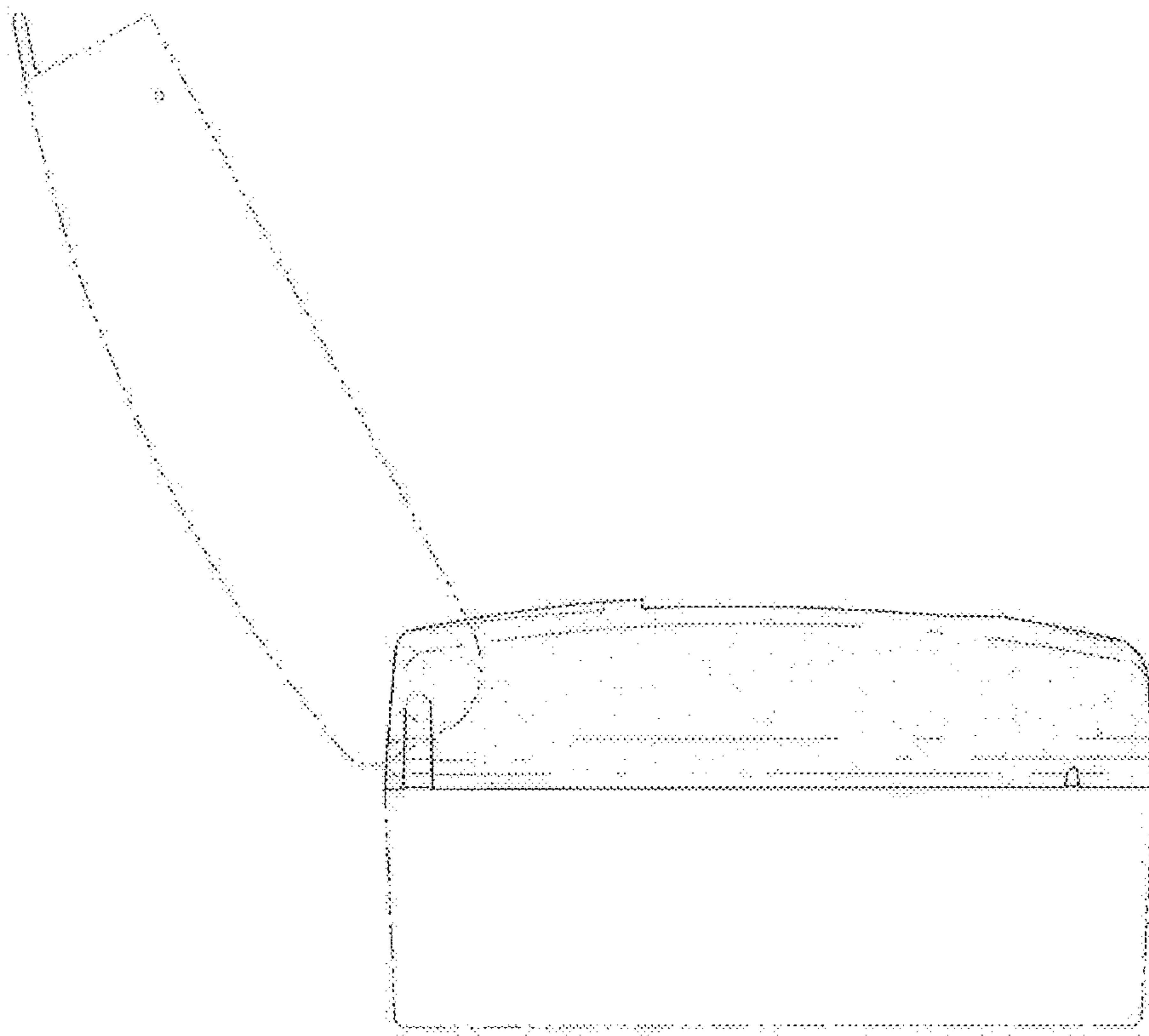


Fig-23

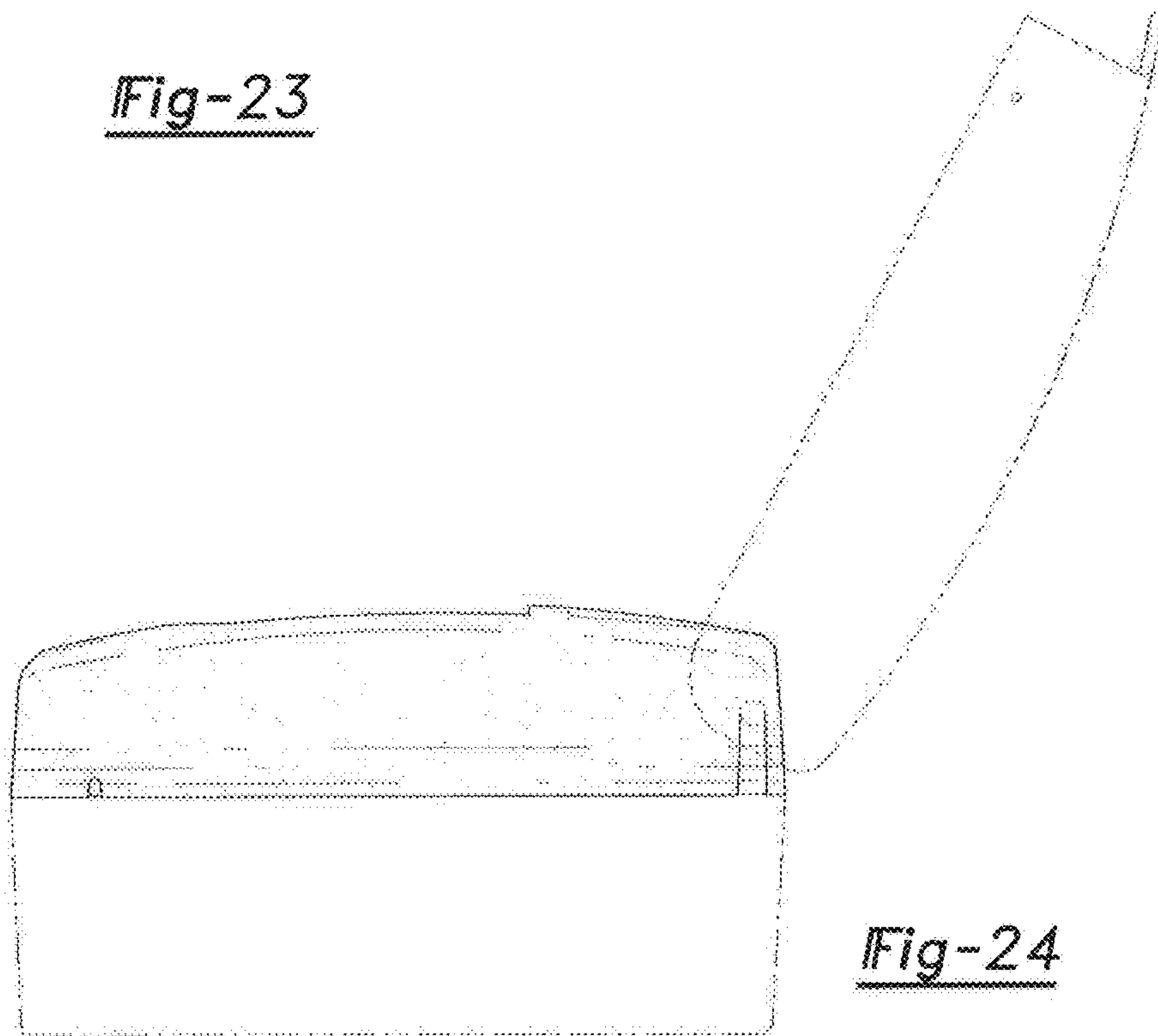


Fig-24

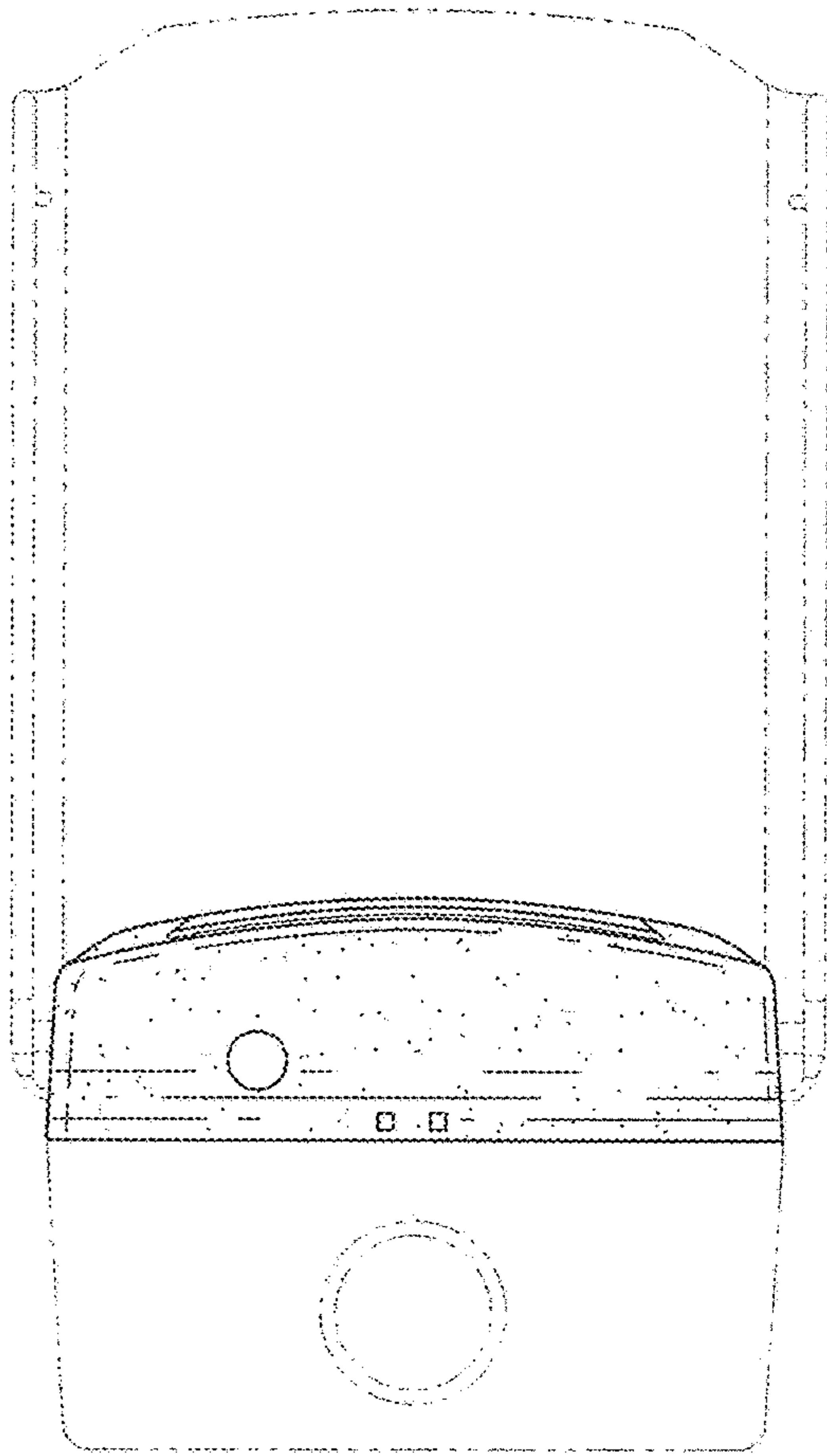


Fig-25

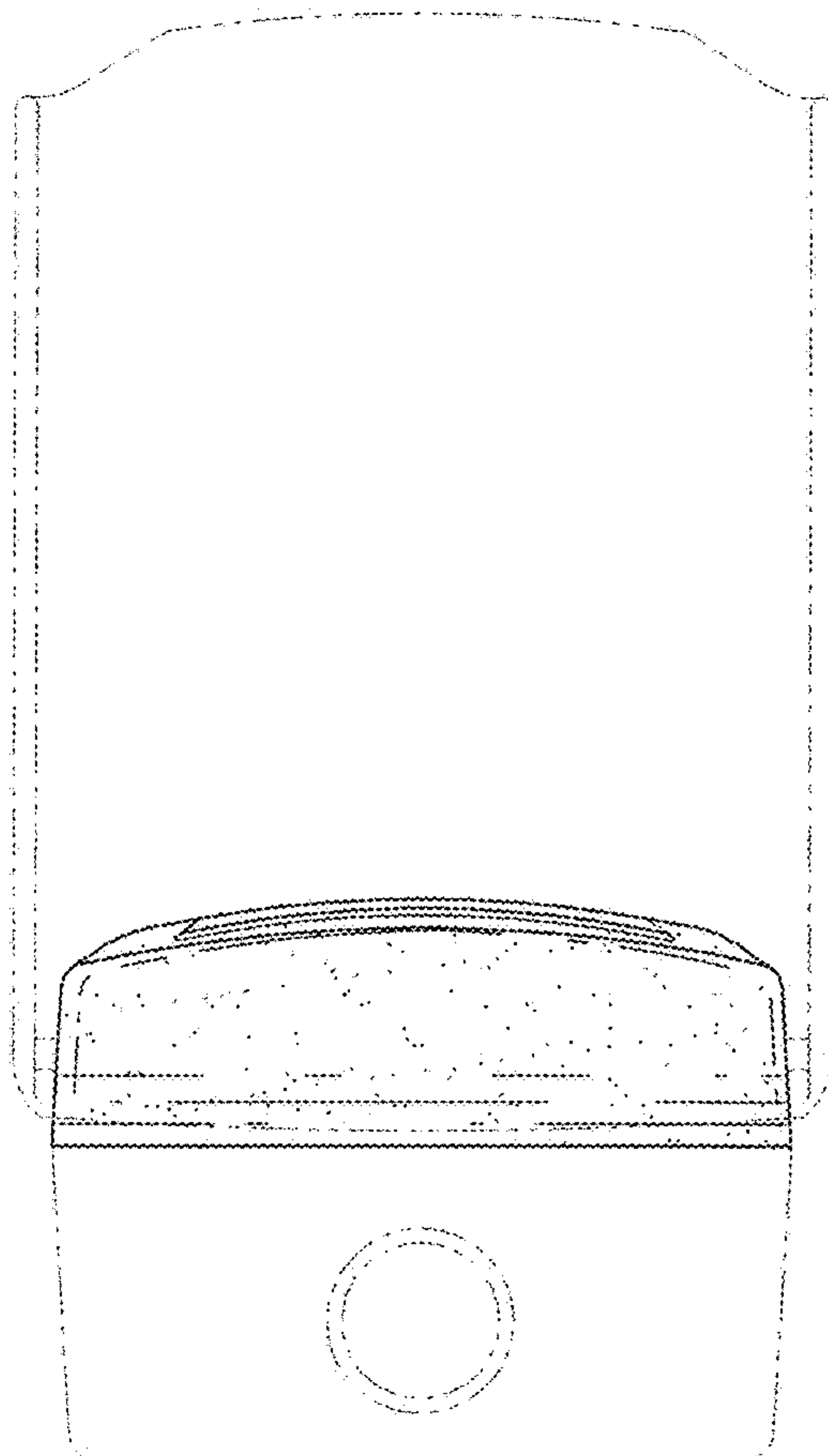


Fig-26