



US00D829576S

(12) **United States Design Patent** (10) **Patent No.:** **US D829,576 S**
Kuse et al. (45) **Date of Patent:** **** Oct. 2, 2018**

(54) **SUPPRESSOR FOR AN ION CHROMATOGRAPH**

(71) Applicant: **DIONEX CORPORATION**,
Sunnyvale, CA (US)
(72) Inventors: **Glenn M. Kuse**, Pleasanton, CA (US);
Kannan Srinivasan, Tracy, CA (US);
Robert A. Persson, Danville, CA (US)
(73) Assignee: **DIONEX CORPORATION**,
Sunnyvale, CA (US)

(**) Term: **15 Years**

(21) Appl. No.: **29/589,092**

(22) Filed: **Dec. 28, 2016**

(51) **LOC (11) Cl.** **10-04**

(52) **U.S. Cl.**
USPC **D10/81; D24/186**

(58) **Field of Classification Search**
USPC D10/81, 102, 103; D24/186, 216, 219,
D24/231, 232, 233, 234
CPC .. G01N 30/00; G01N 30/96; G01N 2030/965;
B01D 15/08; B01D 15/10; B01D 15/36;
B01D 15/361; B01D 15/367
See application file for complete search history.

(56) **References Cited**

U.S. PATENT DOCUMENTS

6,033,459 A * 3/2000 Hase G01N 30/06
210/198.2

OTHER PUBLICATIONS

Dionex Product Manual ASRS(R) 300 CSRS(R) 300, Document No. 031956, Rev. 05, Aug. 2007, 51 pages.
Madden and Verma, "Mat is the Role of a Next Generation Suppressor?," White Paper 70688, 2013, 4 pgs.
Thermo Scientific—Dionex Eluent Suppressors for Ion Chromatography, product specification, 2015, 17 pgs.

* cited by examiner

Primary Examiner — Antoine D Davis

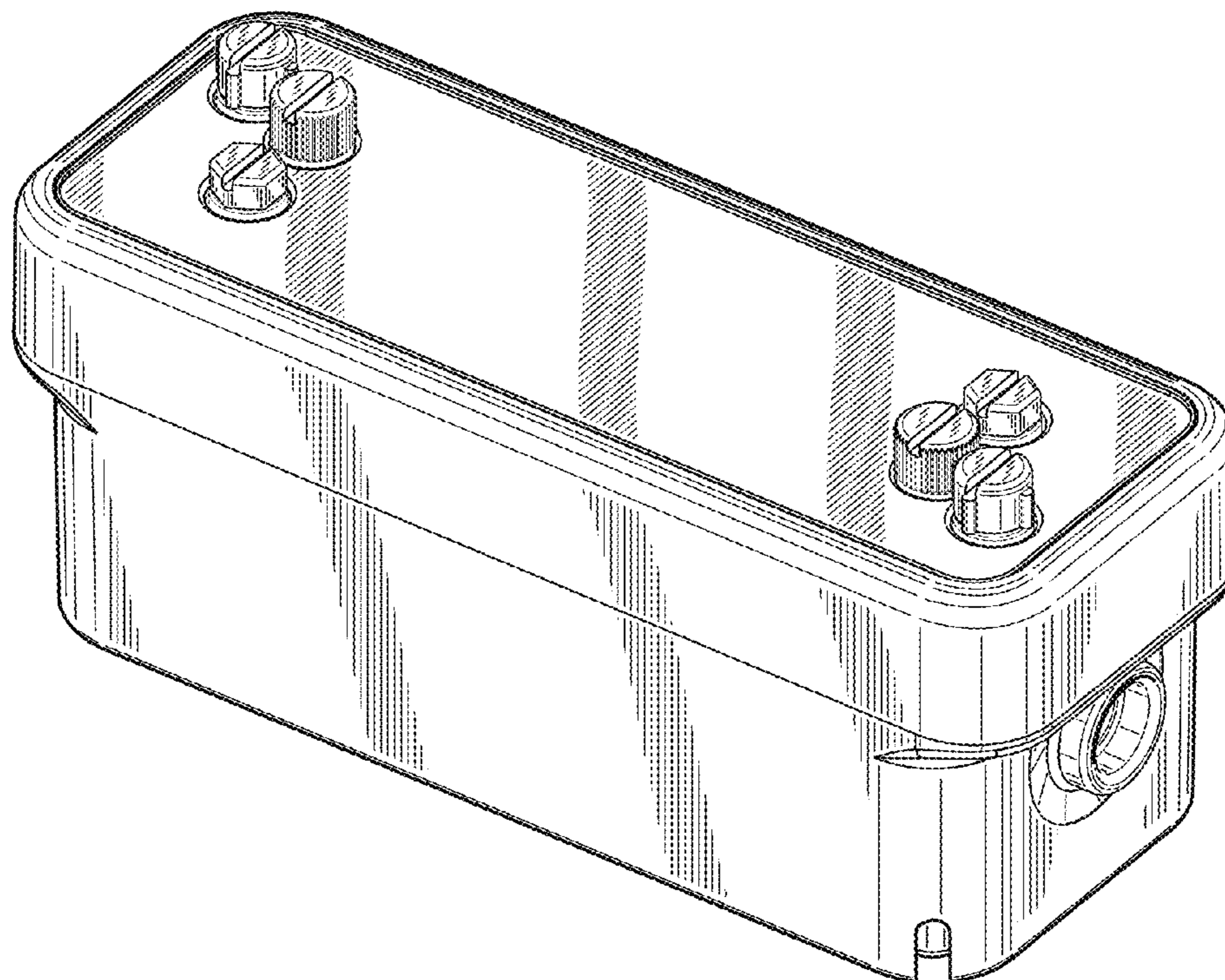
(57) **CLAIM**

We claim the ornamental design for a suppressor for an ion chromatograph, as shown and described.

DESCRIPTION

FIG. 1 is a top perspective view of the suppressor.
FIG. 2 is a top plan view of the suppressor.
FIG. 3 is a bottom plan view of the suppressor.
FIG. 4 is a left side elevational view of the suppressor.
FIG. 5 is a front elevational view of the suppressor.
FIG. 6 is a right side elevational view of the suppressor; and,
FIG. 7 is a rear elevational view of the suppressor.
The broken lines in the Figures are for illustrative purposes only and form no part of the claimed design.

1 Claim, 3 Drawing Sheets



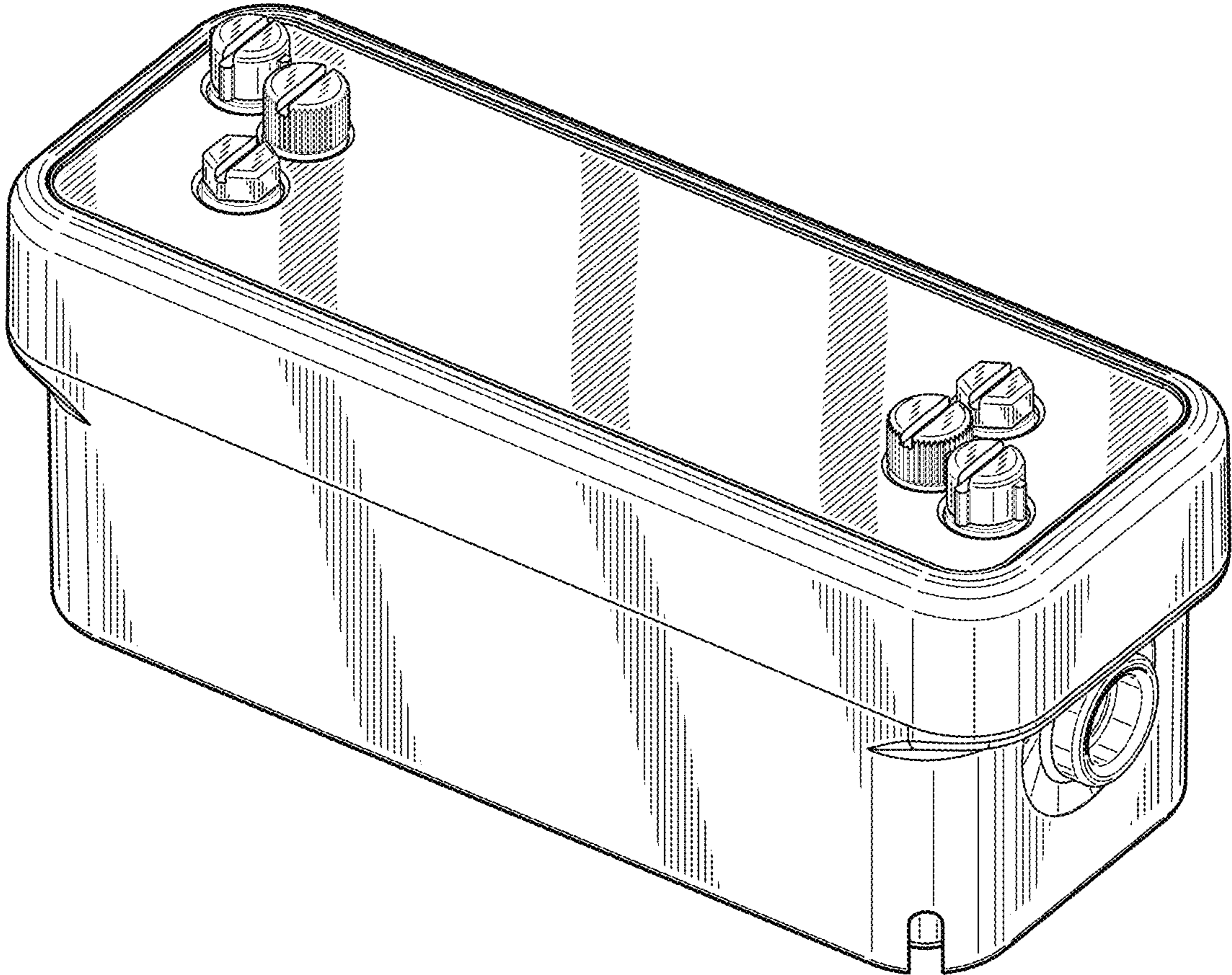


FIG. 1

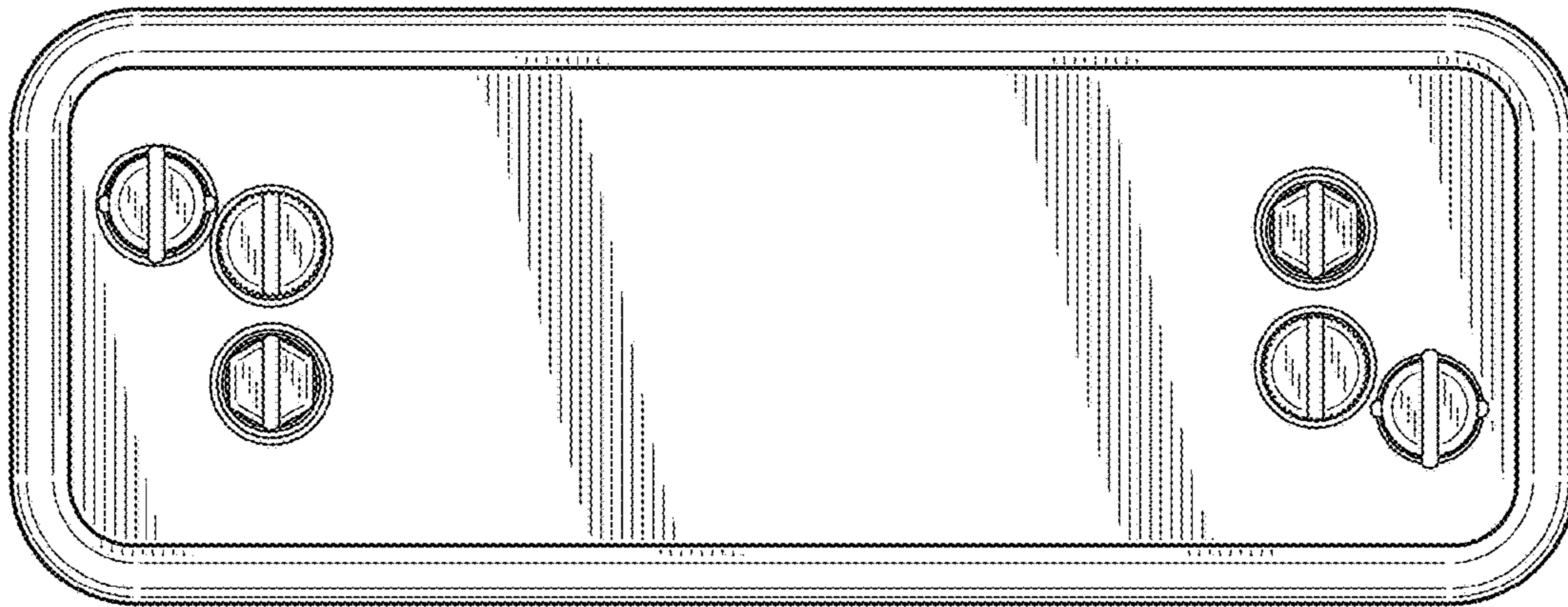


FIG. 2

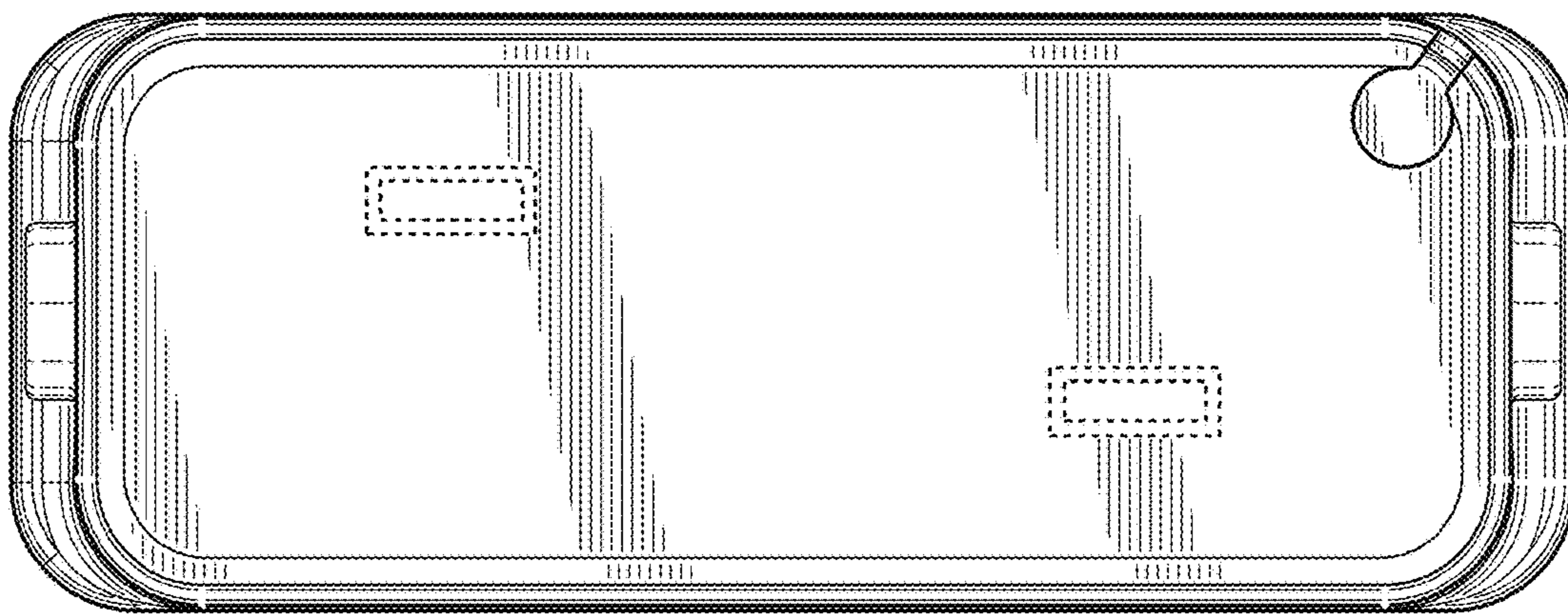


FIG. 3

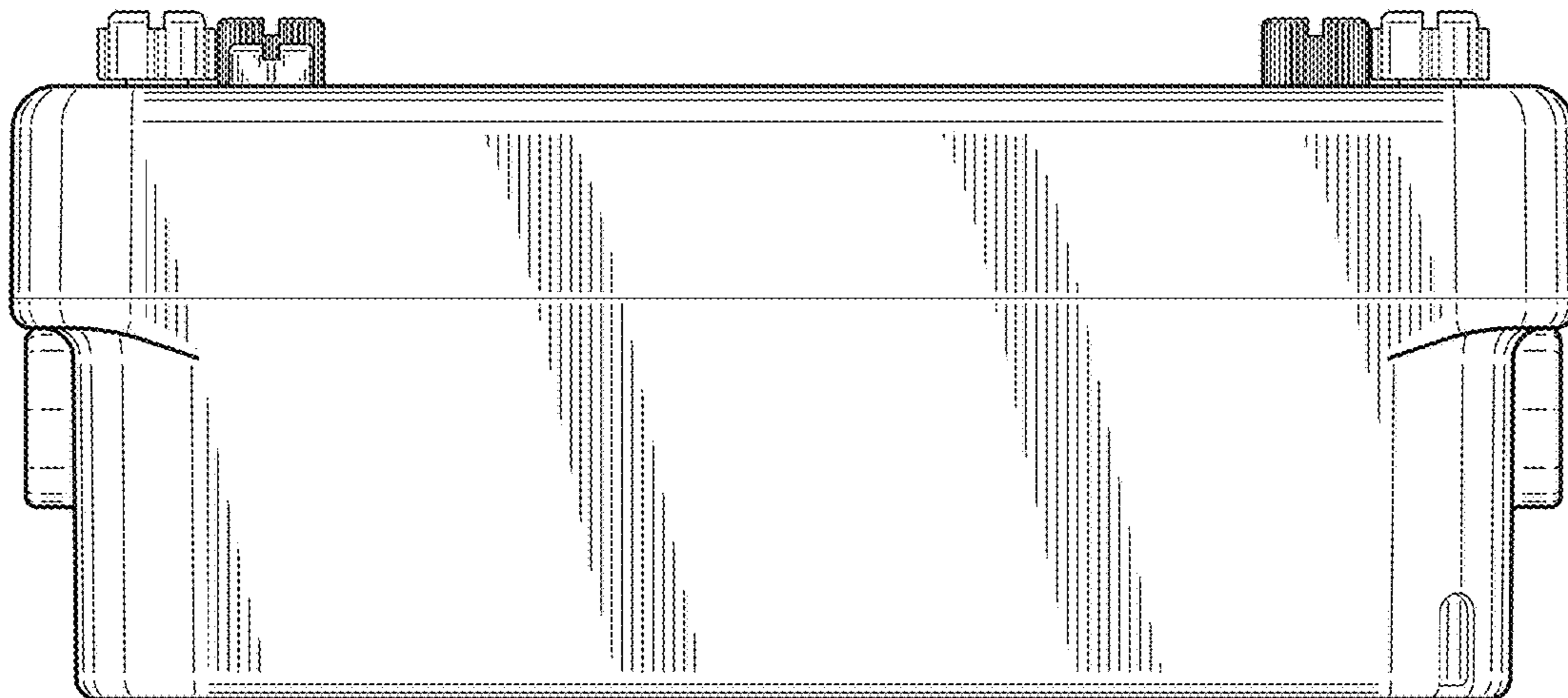


FIG. 4

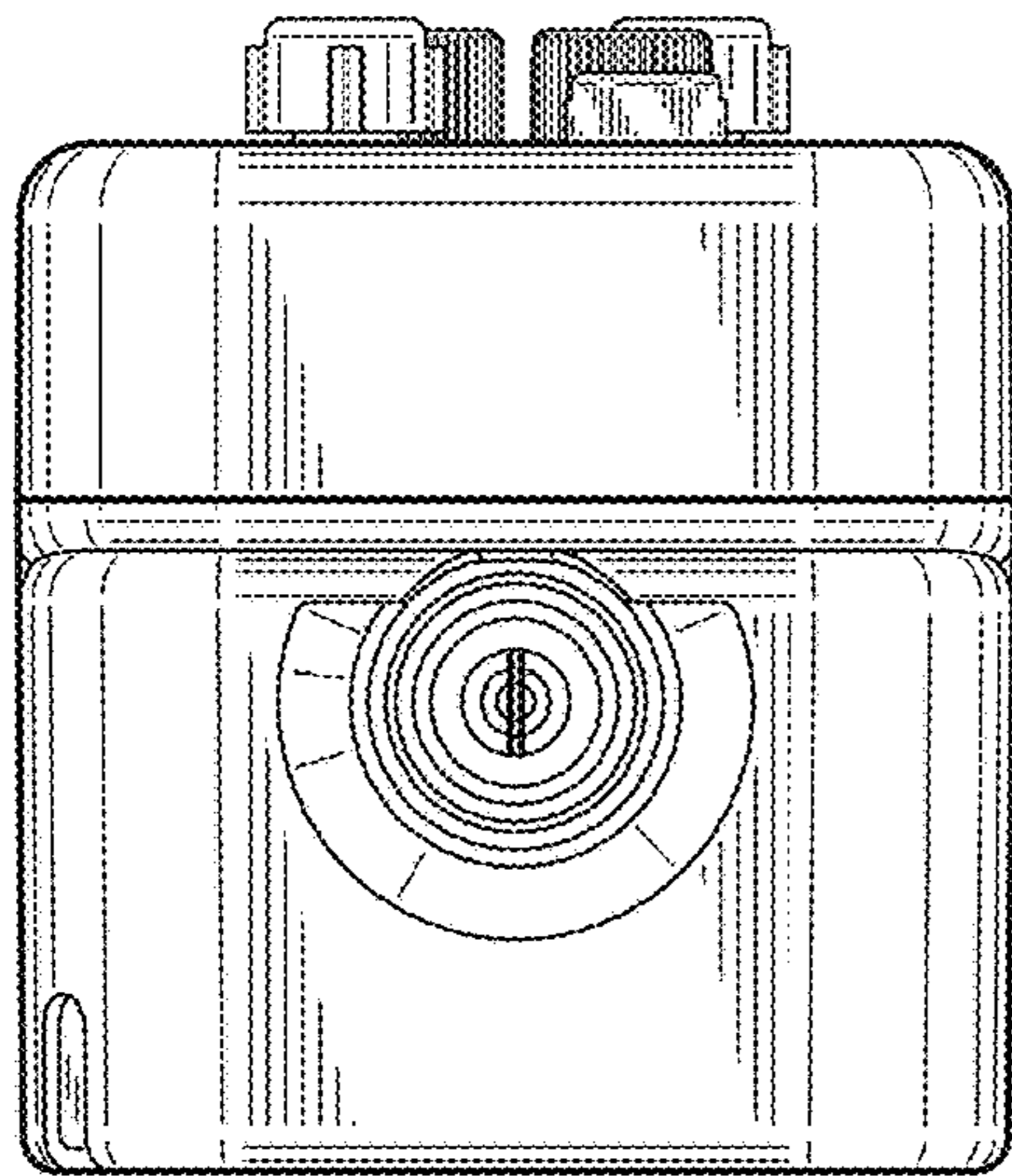


FIG. 5

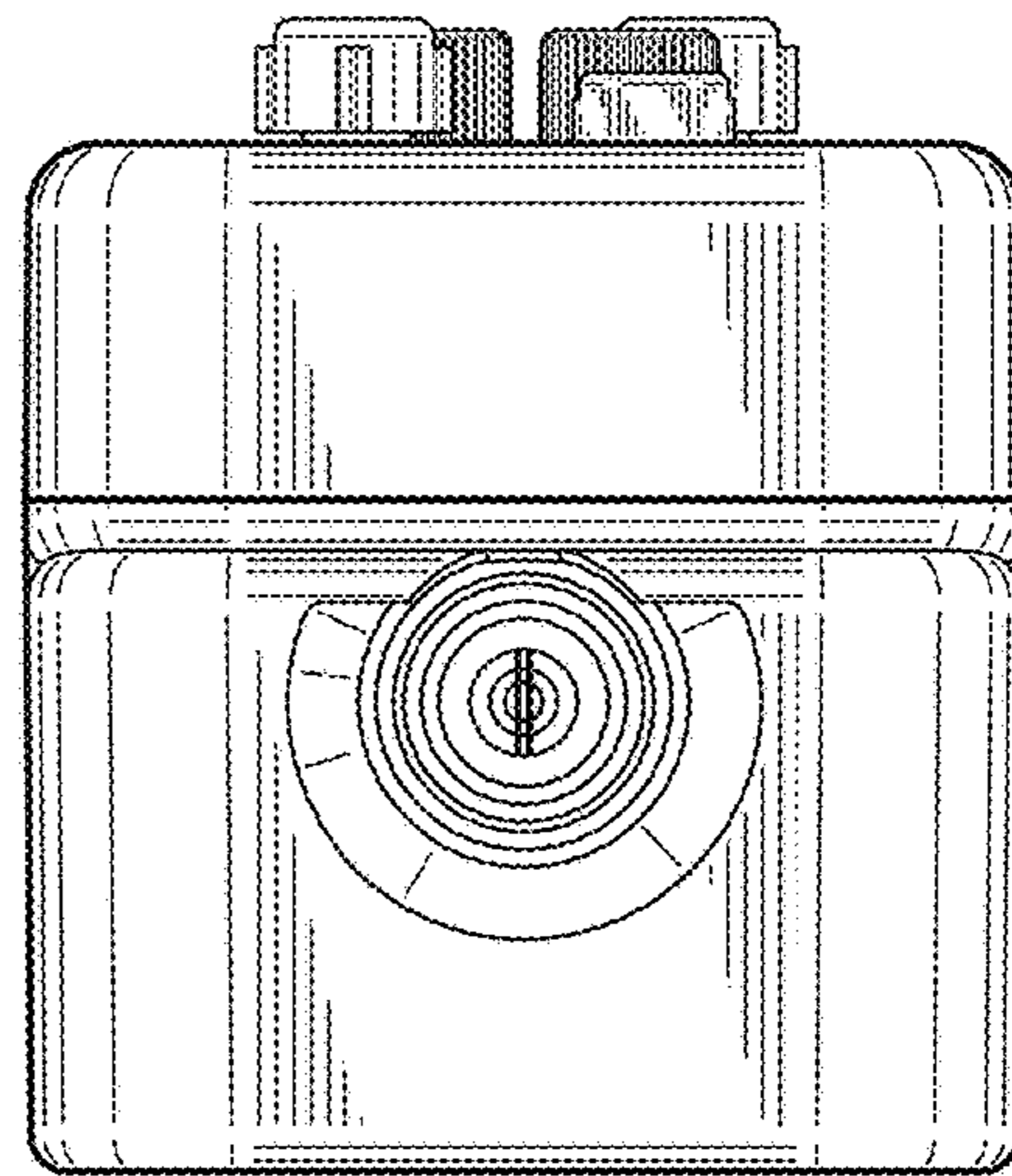


FIG. 7



FIG. 6