



US00D829575S

(12) **United States Design Patent**
Neto et al.

(10) **Patent No.:** **US D829,575 S**

(45) **Date of Patent:** **** Oct. 2, 2018**

(54) **AIRBORNE RADAR UNIT**

(71) Applicant: **BRADAR INDÚSTRIA S.A.**, São José dos Campos, São Paulo (BR)

(72) Inventors: **João Roberto Moreira Neto**, São Paulo (BR); **Marco André Remy**, São Paulo (BR); **Eurico Vaz Júnior**, São Paulo (BR); **Luiz Carlos Imoto**, São Paulo (BR); **Dieter Luebeck**, São Paulo (BR)

(73) Assignee: **BRADAR INDÚSTRIA S.A.**, São José dos Campos, São Paulo (BR)

(**) Term: **15 Years**

(21) Appl. No.: **29/590,758**

(22) Filed: **Jan. 12, 2017**

Related U.S. Application Data

(62) Division of application No. 29/516,682, filed on Feb. 5, 2015, now Pat. No. Des. 779,980.

(30) **Foreign Application Priority Data**

Sep. 26, 2014 (BR) 302014004886

(51) **LOC (11) Cl.** **10-04**

(52) **U.S. Cl.**
USPC **D10/67; D10/70**

(58) **Field of Classification Search**
USPC **D10/61-68, 70**

CPC G01S 13/00; G01S 13/89; G01S 13/90;
G01S 13/9005; G01S 13/9011; G01S
13/9017; G01S 13/9023; G01S 13/9039;
G01S 2013/9058; G01S 2013/9064; G01S
2013/907; G01S 2013/9076; G01S
2013/9082; G01S 2013/9088; G01S
2007/027

See application file for complete search history.

(56) **References Cited**

U.S. PATENT DOCUMENTS

D656,421 S 3/2012 Marocco
9,696,416 B2 * 7/2017 Blase G01S 13/42

* cited by examiner

Primary Examiner — Antoine D Davis

(74) *Attorney, Agent, or Firm* — Nixon & Vanderhye P.C.

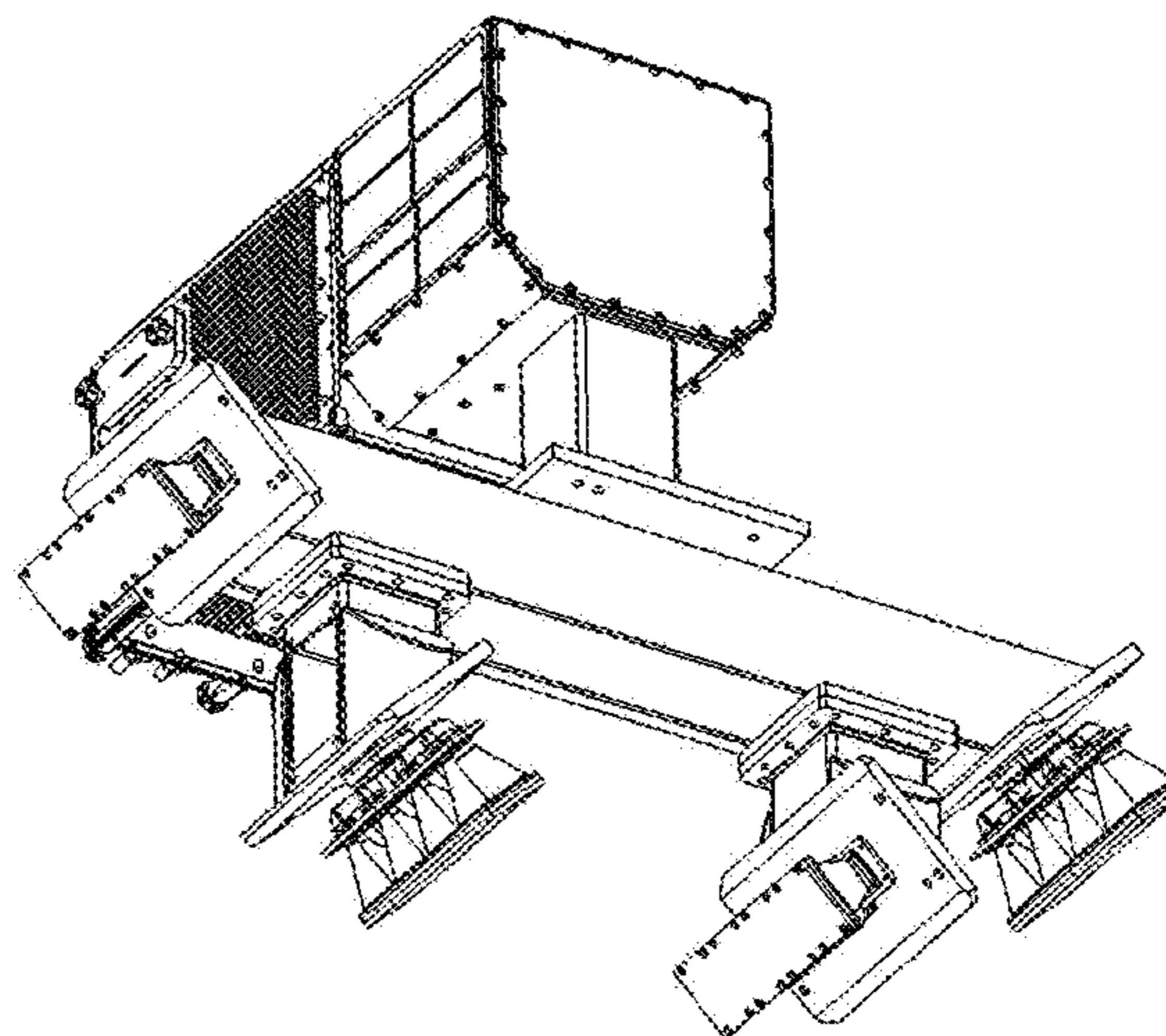
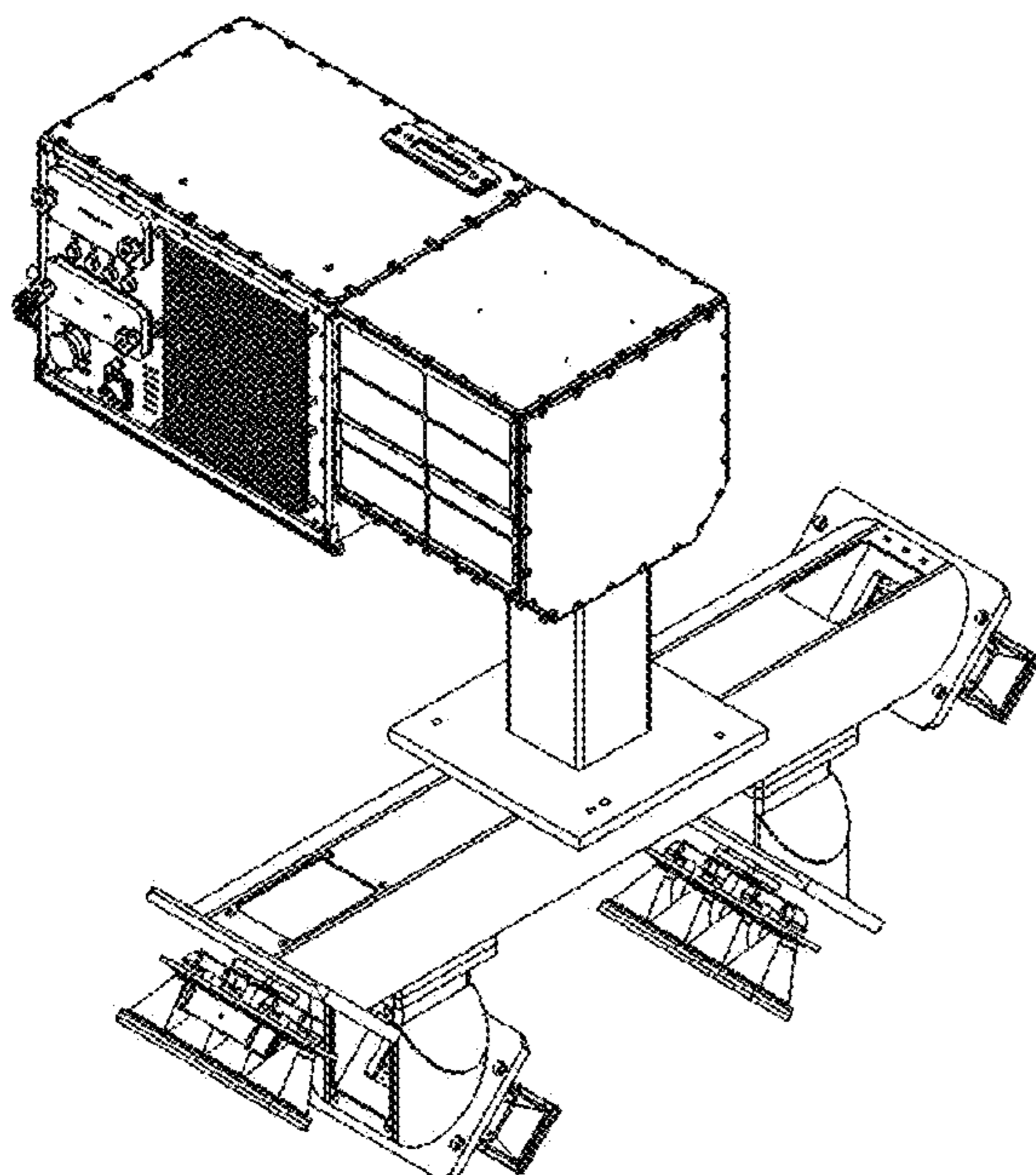
(57) **CLAIM**

The ornamental design for an “airborne radar unit,” as shown and described.

DESCRIPTION

FIG. 1.1 is a perspective view thereof;
FIG. 1.2 is a frontal view thereof;
FIG. 1.3 is a back view thereof;
FIG. 1.4 is a right side view thereof;
FIG. 1.5 is left side view thereof;
FIG. 1.6 is a top view thereof;
FIG. 1.7 is a bottom view thereof; and,
FIG. 1.8 is a bottom perspective view thereof.

1 Claim, 6 Drawing Sheets



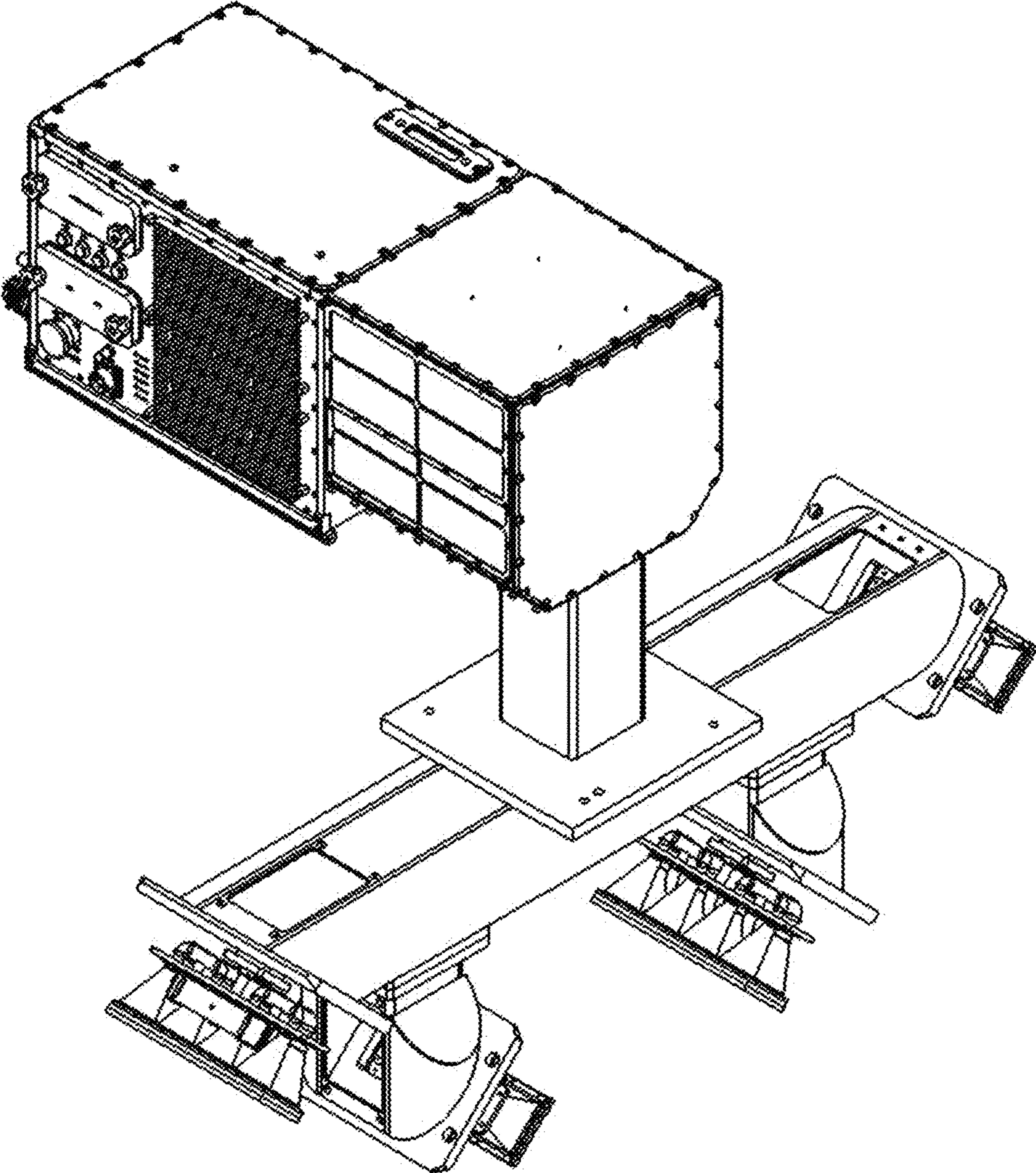


FIG. 1.1

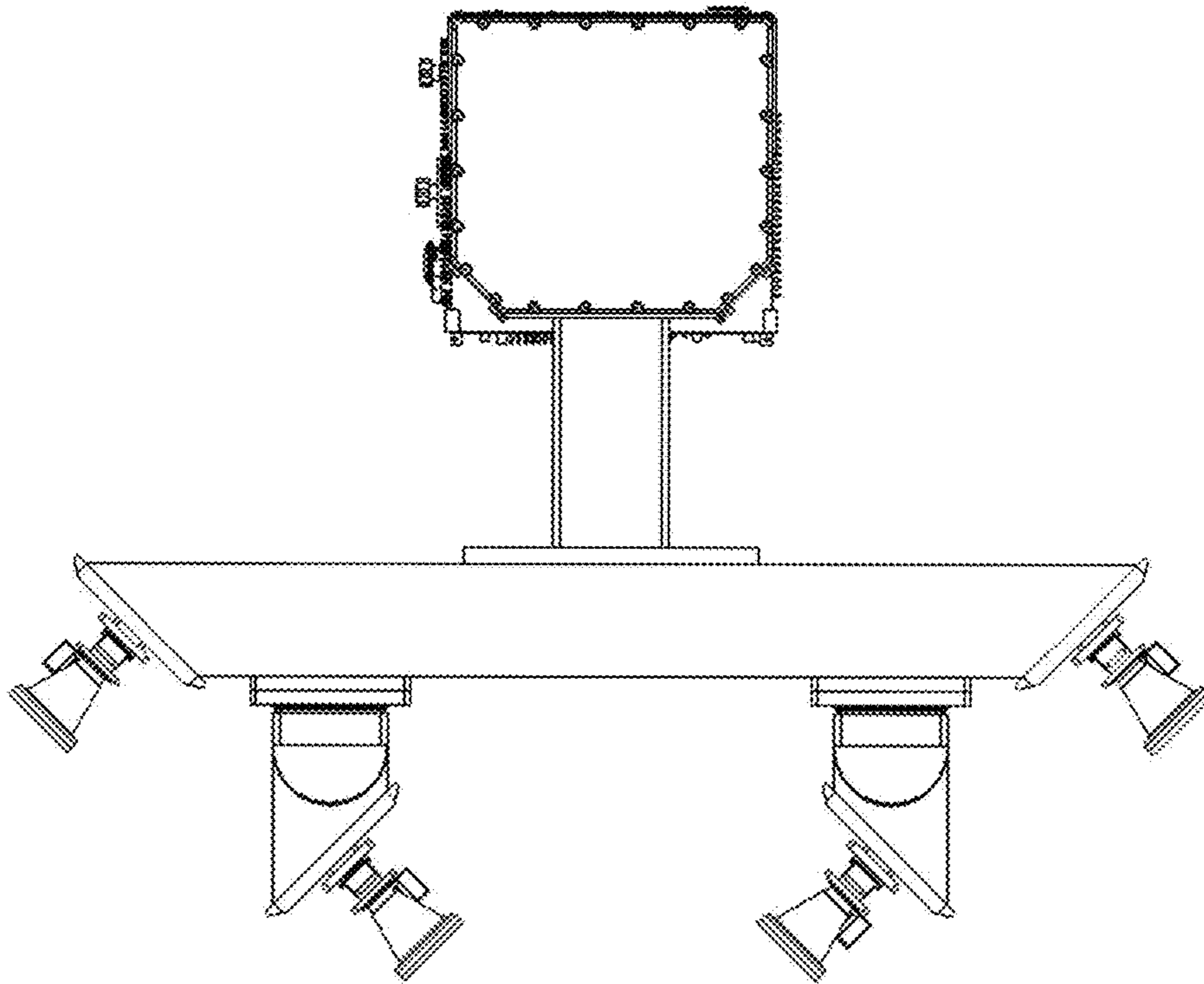


FIG. 1.2

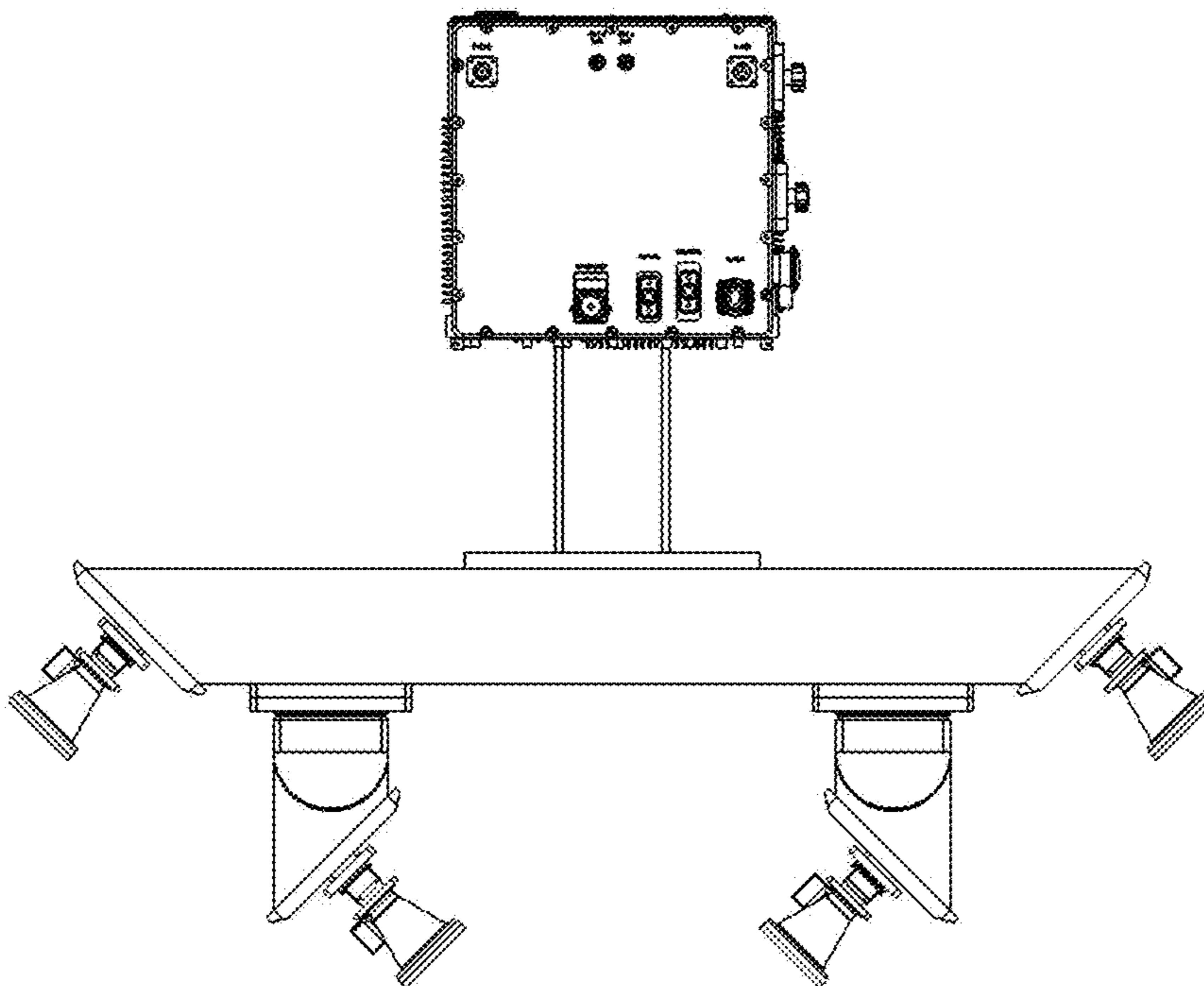


FIG. 1.3

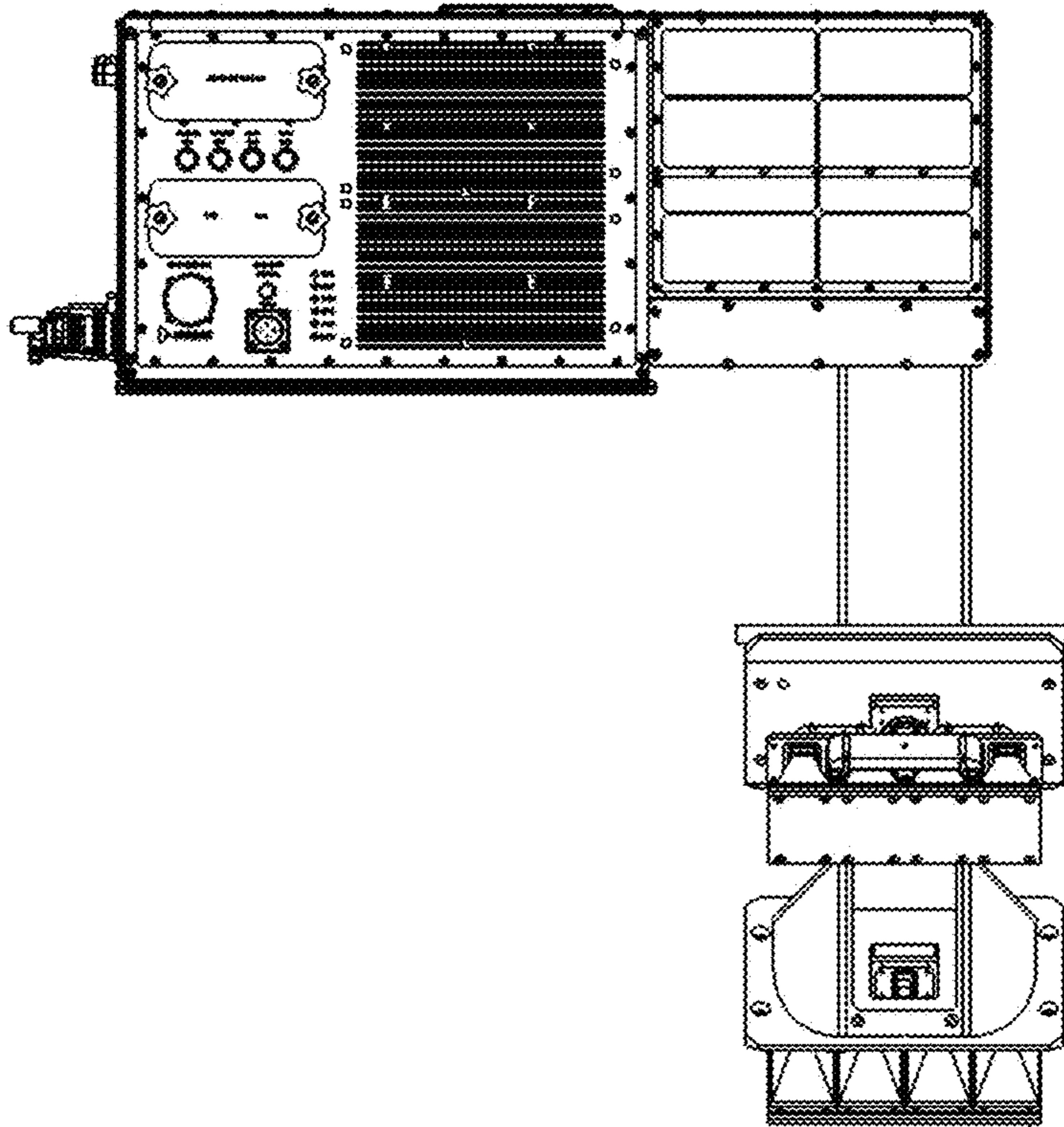


FIG. 1.4

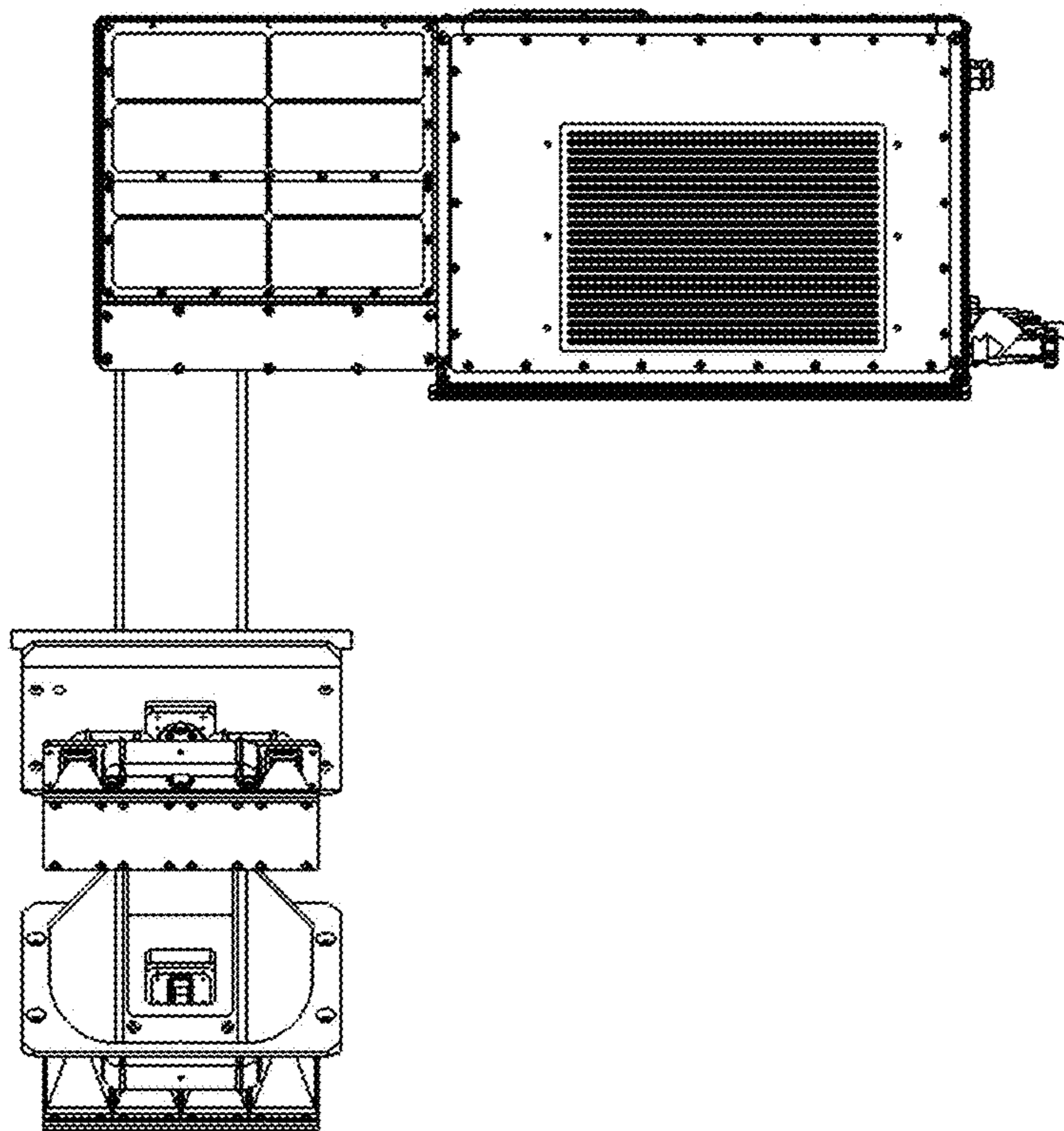


FIG. 1.5

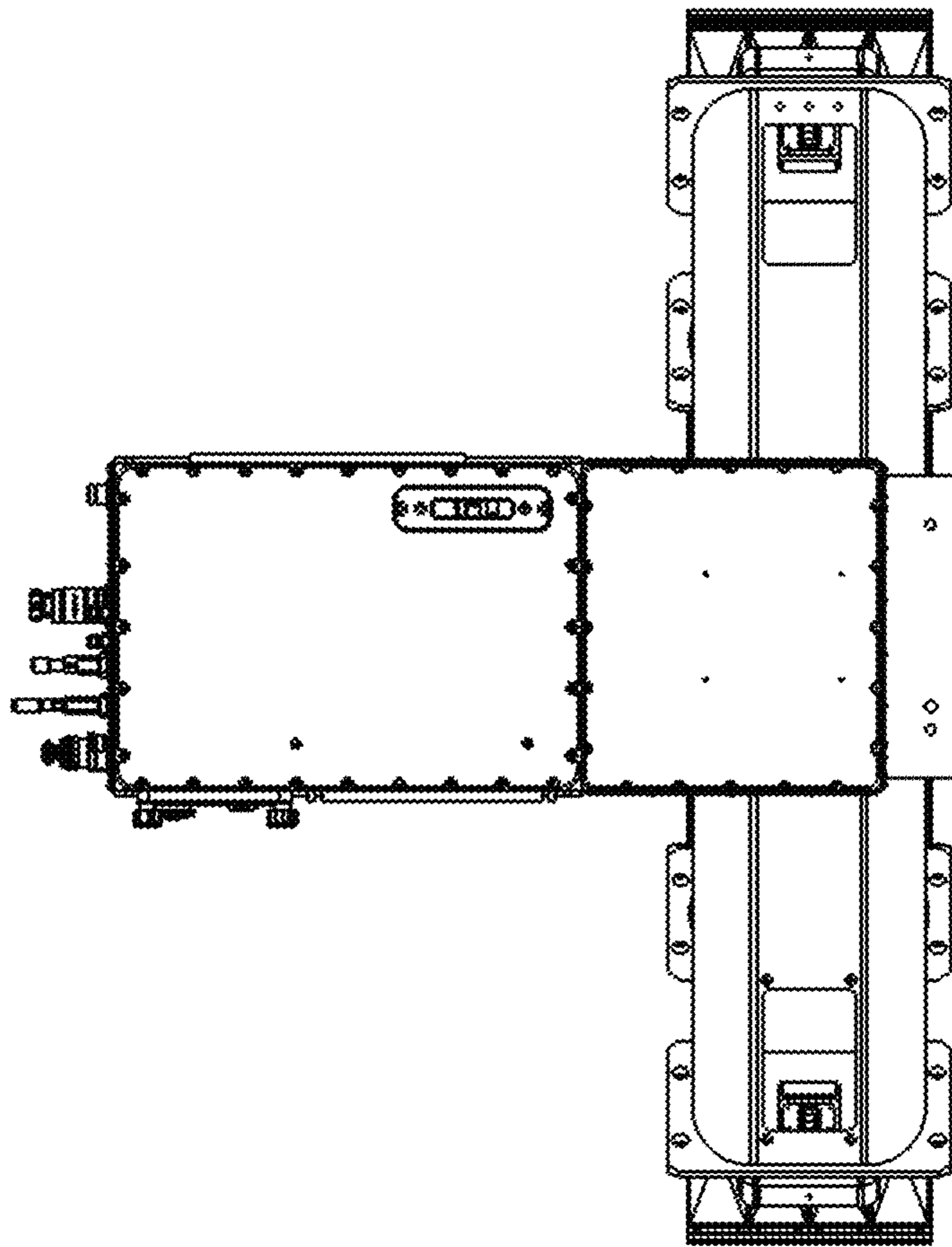


FIG. 1.6

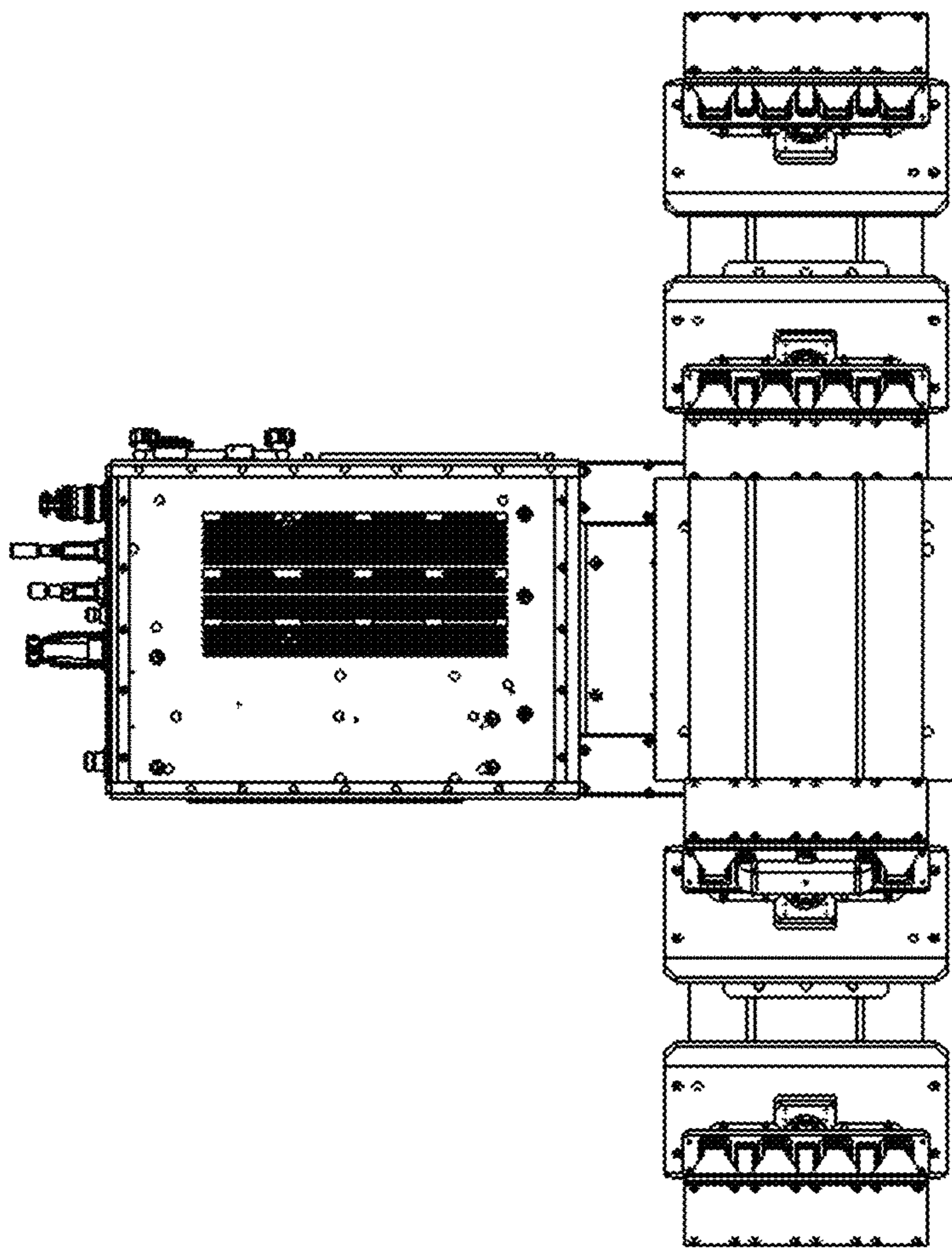


FIG. 1.7

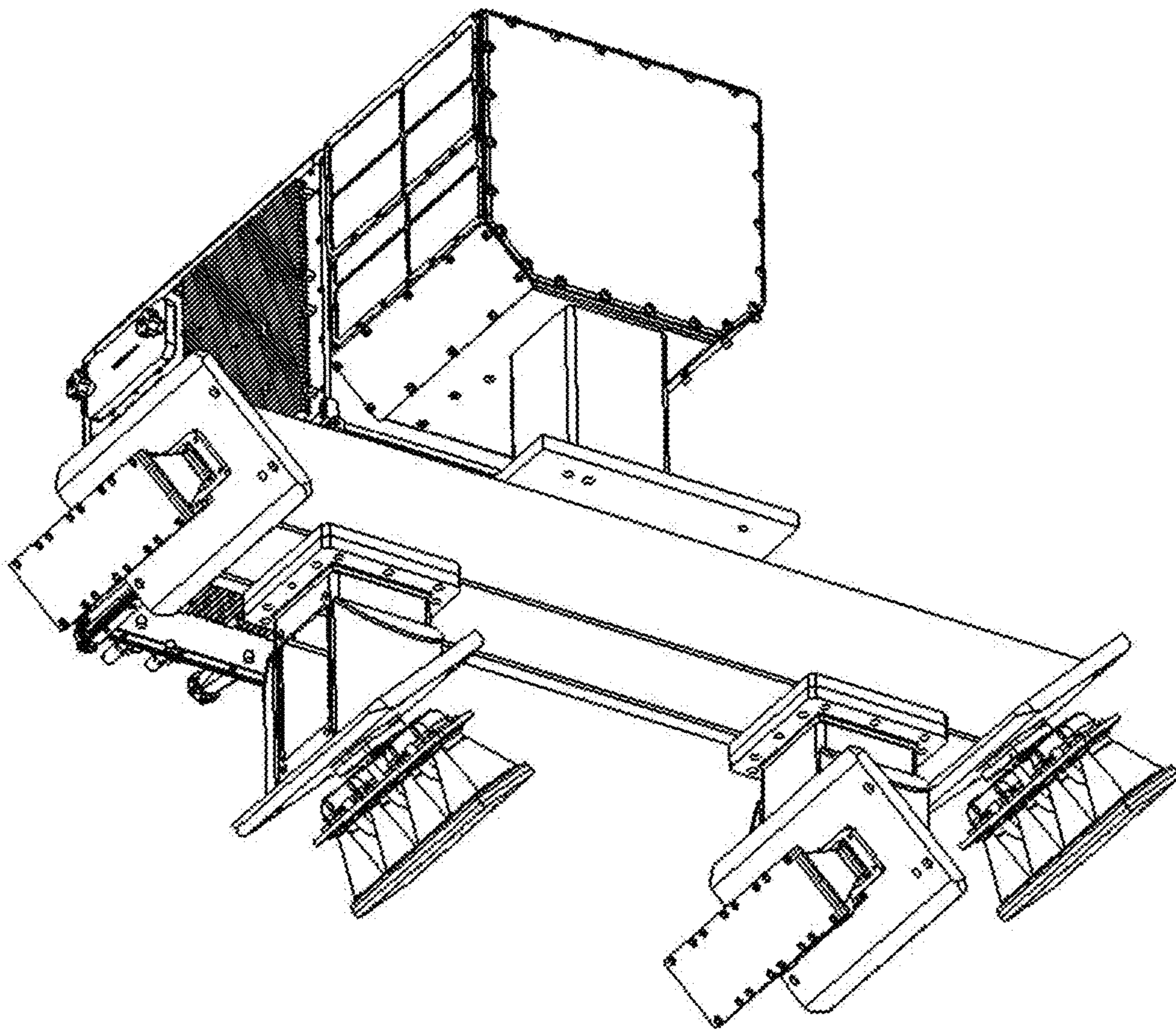


FIG. 1.8