



US00D829567S

(12) **United States Design Patent** (10) **Patent No.:** **US D829,567 S**  
**Ayala Figueredo** (45) **Date of Patent:** **\*\* Oct. 2, 2018**

(54) **BOTTLE**

FOREIGN PATENT DOCUMENTS

(71) Applicant: **Alvaro Simon Ayala Figueredo**,  
Asunción (PY)

CN 2607324 Y 3/2004

(72) Inventor: **Alvaro Simon Ayala Figueredo**,  
Asunción (PY)

OTHER PUBLICATIONS

(\*\*) Term: **15 Years**

Dual-Chamber Bottles (via best in packaging), available May 5, 2011, [online], [site visited May 14, 2017]. Available from internet, <URL: <https://bestinpackaging.com/2011/05/05/dual-chamber-bottles/>\*

(21) Appl. No.: **29/558,436**

(Continued)

(22) Filed: **Mar. 17, 2016**

(51) **LOC (11) Cl.** ..... **09-01**

(52) **U.S. Cl.**  
USPC ..... **D9/741**

*Primary Examiner* — Cathron C Brooks  
*Assistant Examiner* — W. A. Teddy Falloway  
(74) *Attorney, Agent, or Firm* — Ladas & Parry LLP

(58) **Field of Classification Search**

(57) **CLAIM**

USPC ..... D9/741, 516, 529, 559, 564–566, 561, D9/562, 575, 737, 738, 686, 689, 691, D9/693, 570, 574, 747, 569, 573, 620, D9/341, 367, 751, 756, 530, 313, 375, D9/403, 409, 413, 558, 547, 743, 744, D9/539–546, 520–524; D7/509–511, D7/563, 573, 513, 300, 308, 312, 315, D7/601, 602, 619.1, 622; D3/202; 264/532; 222/129, 94, 135; 220/505, 220/504, 288, 709, 23.4, 23.8, 23.88, 633, 220/916, 660, 669; 215/6, 10, 1 R, 1 C, 215/379, 381–384  
CPC ..... B65D 1/04; B65D 1/24; B65D 21/0201; B65D 2501/0081; B65D 81/3283; B65D 81/3244; B65D 83/40; B65D 83/68; A47G 2019/122

I claim the ornamental design for a bottle, as shown and described.

See application file for complete search history.

**DESCRIPTION**

FIG. 1 is a perspective view of my new design for a bottle showing an open configuration;  
FIG. 2 is a side view thereof showing a closed configuration;  
FIG. 3 is a side view thereof showing one half of the bottle in an open configuration;  
FIG. 4 is a side view thereof showing a closed configuration in environmental use;  
FIG. 5 is an enlarged detailed view of the spout of FIG. 1, shown in an open configuration and for completeness of illustration;  
FIG. 6 is an alternative view of the spout of FIG. 5, shown in a closed configuration and with environment;  
FIG. 7 is a side view of my new design for a bottle showing one half of the bottle in an open configuration in environmental use; and,  
FIG. 8 is a bottom view of my new design for the bottle.  
The broken lines illustrate environmental structure and form no part of the claimed design.

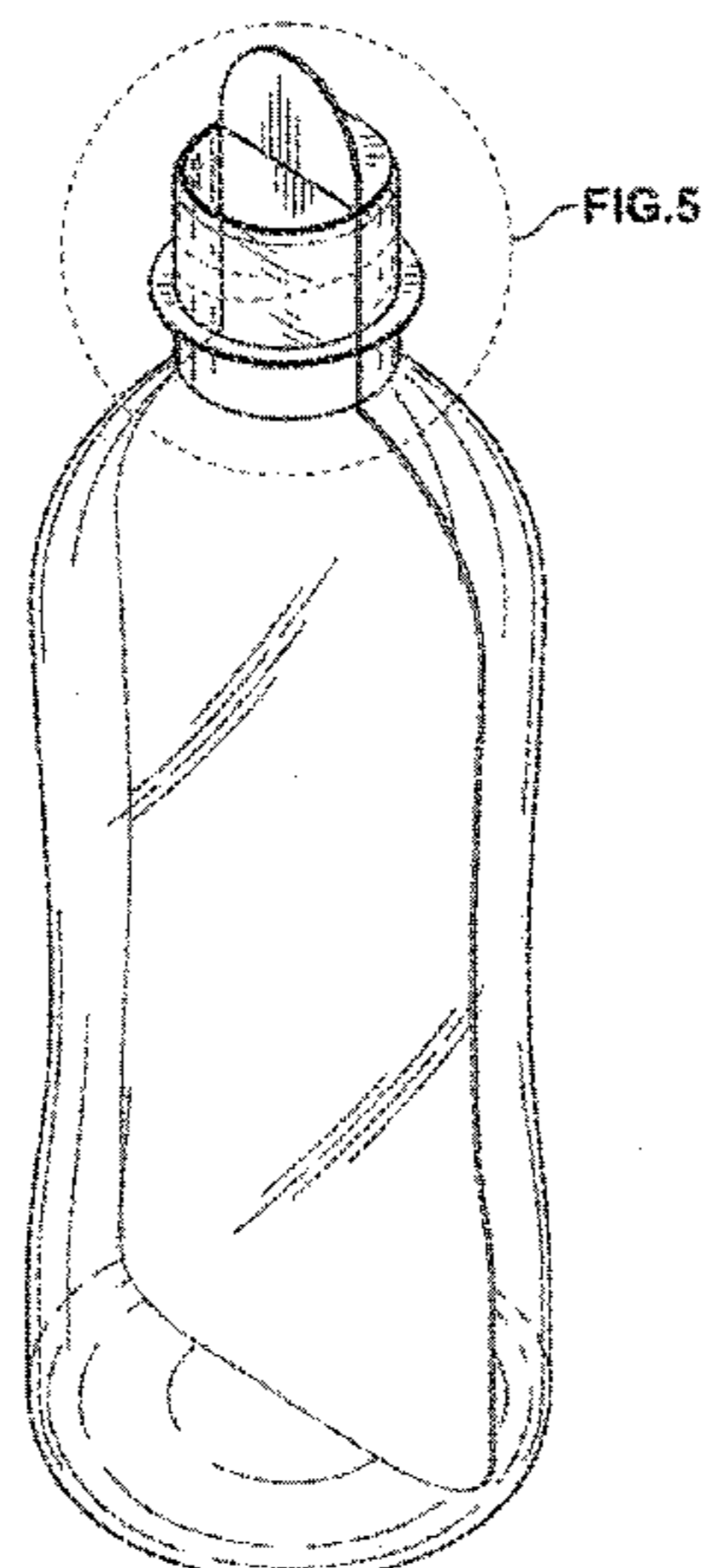
(56) **References Cited**

U.S. PATENT DOCUMENTS

1,331,444 A 2/1920 Lowry  
2,607,324 A 8/1952 Mead  
3,321,097 A \* 5/1967 Solowey ..... B65D 1/04  
206/221

(Continued)

**1 Claim, 7 Drawing Sheets**



(56)

References Cited

U.S. PATENT DOCUMENTS

3,381,875 A \* 5/1968 Tunick ..... B65D 3/24  
220/524  
D225,972 S \* 1/1973 Khetani ..... 215/371  
D258,796 S \* 4/1981 Paulides ..... D7/513  
D355,735 S \* 2/1995 Shaffer ..... D32/53  
D362,800 S \* 10/1995 Sherman ..... D9/539  
5,765,725 A \* 6/1998 Matt ..... B65D 35/22  
222/129  
5,794,819 A \* 8/1998 Smith ..... B65D 47/30  
220/525  
D409,442 S \* 5/1999 Kilpatrick ..... D7/509  
5,921,440 A \* 7/1999 Maines ..... B65D 47/265  
215/6  
D445,672 S \* 7/2001 Sherman ..... D9/520  
6,450,351 B1 \* 9/2002 Thompson ..... B65D 1/04  
215/6  
D496,277 S \* 9/2004 Bonnet ..... D9/502  
D517,866 S \* 3/2006 Burks ..... D7/590  
7,036,684 B1 \* 5/2006 Hantman ..... B29C 49/0078  
215/6  
D531,903 S \* 11/2006 Haubein ..... D9/500  
D539,664 S \* 4/2007 Janky ..... D7/529  
7,258,251 B2 \* 8/2007 Johnson ..... A47G 19/183  
215/6  
D557,985 S \* 12/2007 Arcangeli ..... D7/509  
D610,011 S \* 2/2010 De Pieretti ..... D9/500  
7,665,631 B2 2/2010 Pikowski  
7,975,868 B1 \* 7/2011 Flies ..... B65D 1/24  
215/12.1  
8,002,129 B1 8/2011 Reyes  
D655,124 S \* 3/2012 Schenk ..... D7/307  
D664,856 S \* 8/2012 Ring ..... D9/453  
D708,956 S \* 7/2014 McKay ..... D9/449  
8,777,044 B1 \* 7/2014 Raymus ..... A47G 19/2272  
215/12.1

8,844,316 B1 \* 9/2014 Ademola ..... F25D 3/08  
62/293  
D714,588 S \* 10/2014 Cummings ..... D7/509  
D722,828 S \* 2/2015 Shamoan ..... D7/510  
D767,342 S \* 9/2016 Alyas ..... D7/590  
D811,886 S \* 3/2018 Ayala Figueredo ..... D9/524  
2003/0189046 A1 \* 10/2003 Quispe Gonzalez .....  
B65D 17/165  
220/269  
2004/0206717 A1 \* 10/2004 Flies ..... B65D 1/04  
215/6  
2005/0161424 A1 \* 7/2005 Hogan ..... B65D 21/0202  
215/10  
2005/0234422 A1 \* 10/2005 Oh ..... B65D 51/002  
604/415  
2006/0043047 A1 \* 3/2006 Johnson ..... A47G 19/183  
215/6  
2008/0217280 A1 \* 9/2008 Dekker ..... A23L 2/52  
215/6  
2009/0020542 A1 \* 1/2009 Bauer ..... B65D 81/3288  
220/592.17  
2015/0144516 A1 \* 5/2015 Shamoan ..... B65D 25/04  
206/459.1

OTHER PUBLICATIONS

7 More Bifurcated, Dual-Chambered Bottles (via boxvox), available Jun. 12, 2015, [online], [site visited May 14, 2017]. Available from internet, <URL: <http://beachpackagingdesign.com/boxvox/7-more-bifurcated-dual-chambered-bottles>>.\*  
Search Report from the Mexican Patent Office.  
Office Action from the Paraguay Intellectual Property Office dated Feb. 25, 2016 for Paraguay Application No. 00154-001/13.  
Espacenet English abstract of CN 2607324 Y.

\* cited by examiner

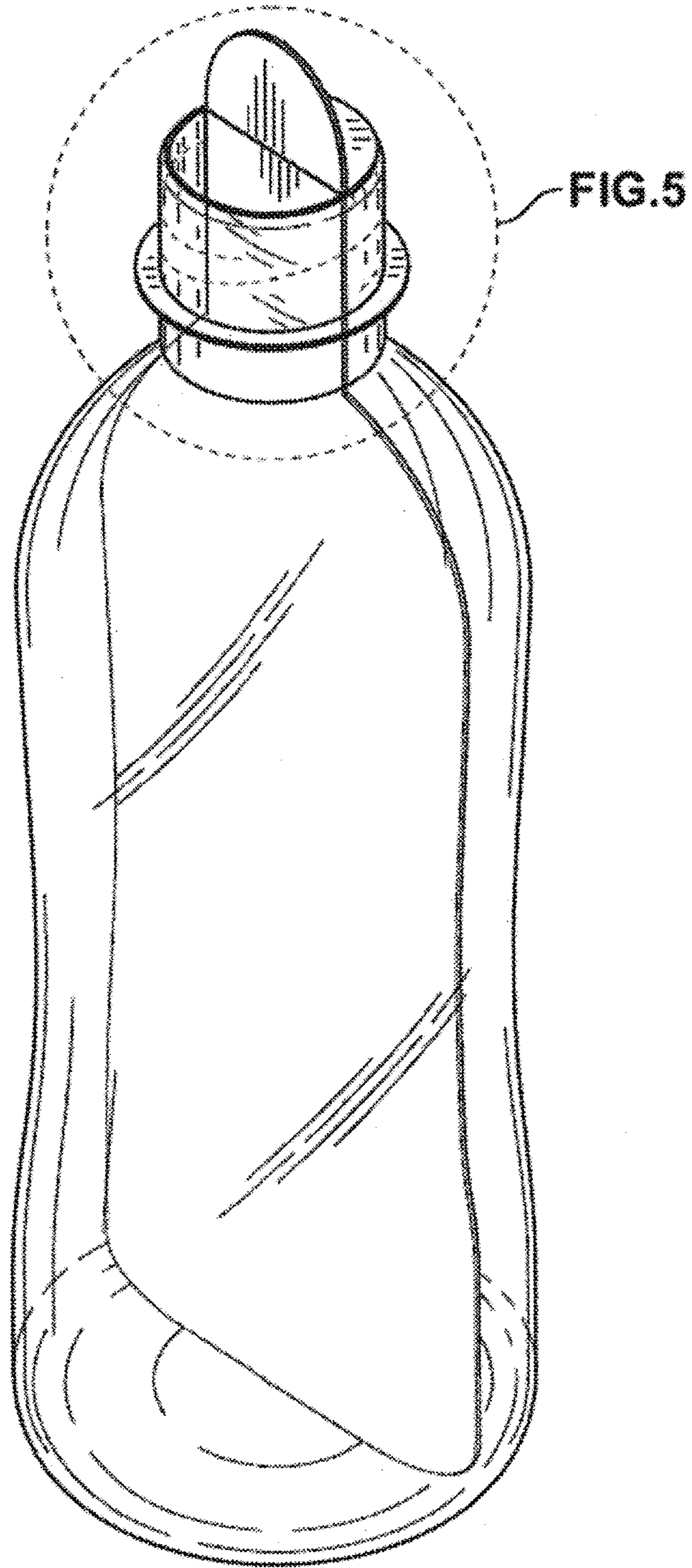


FIG. 1

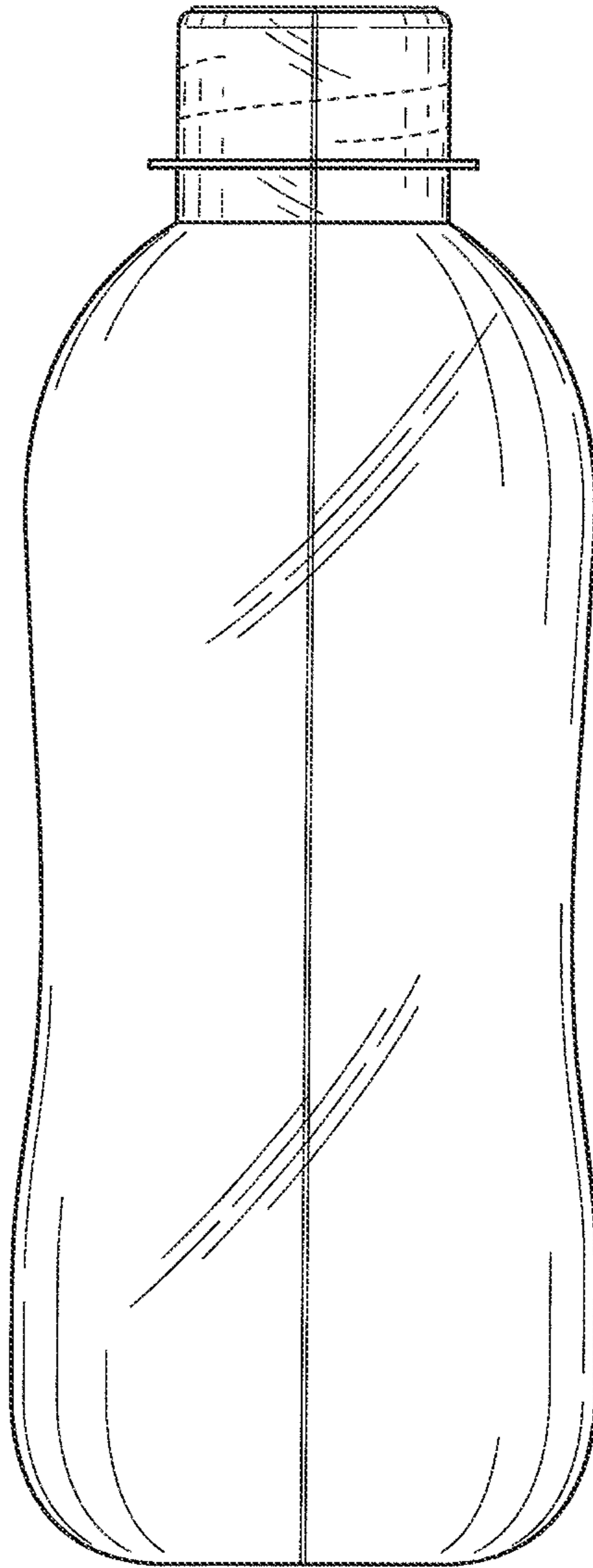


FIG. 2

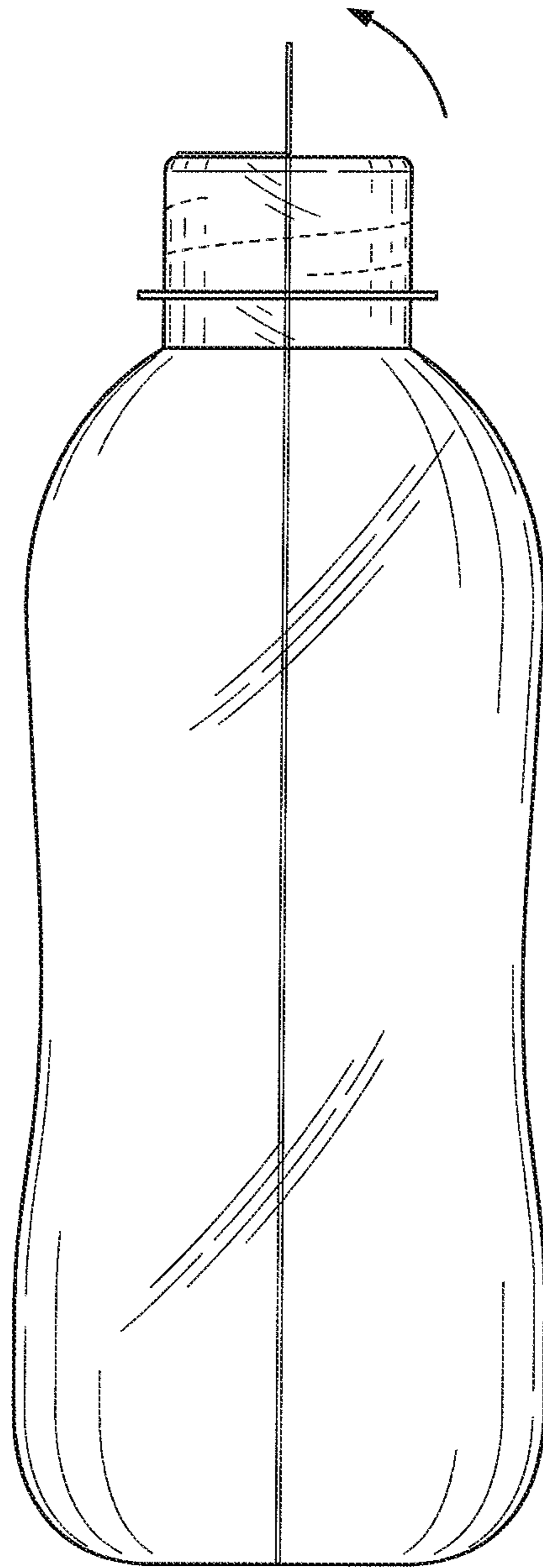


FIG. 3

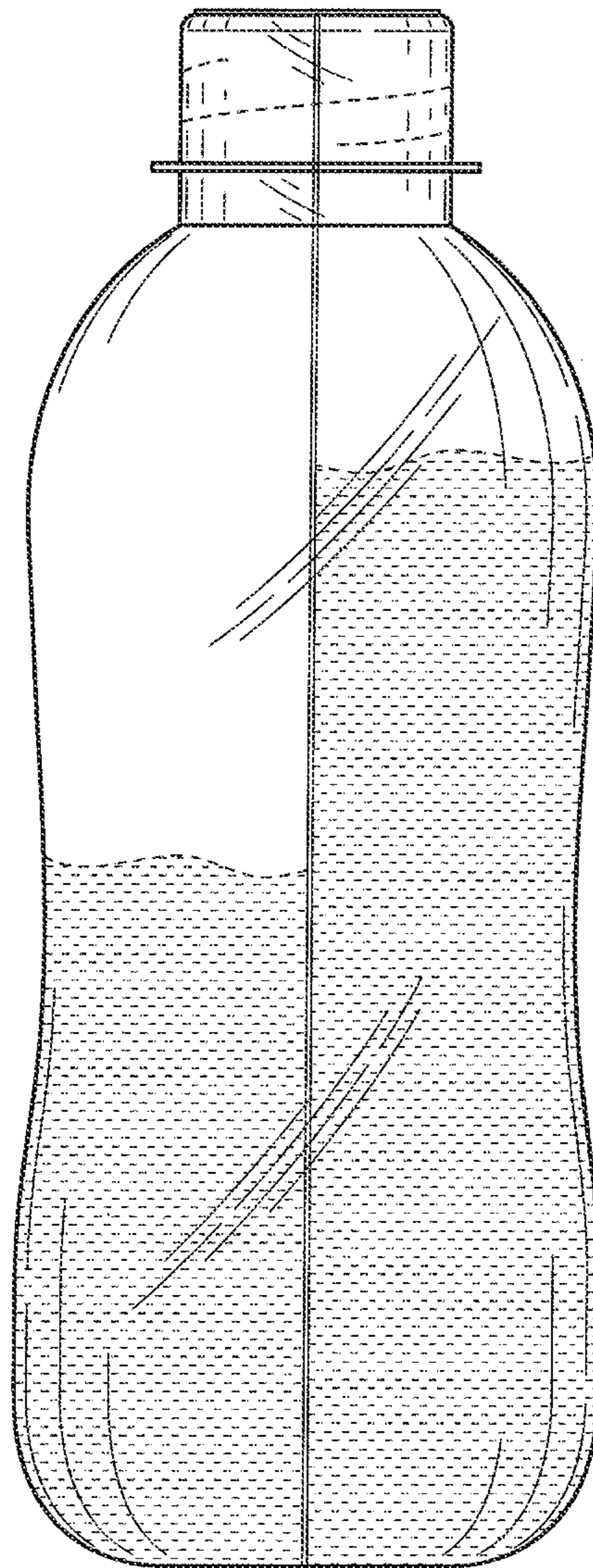


FIG. 4

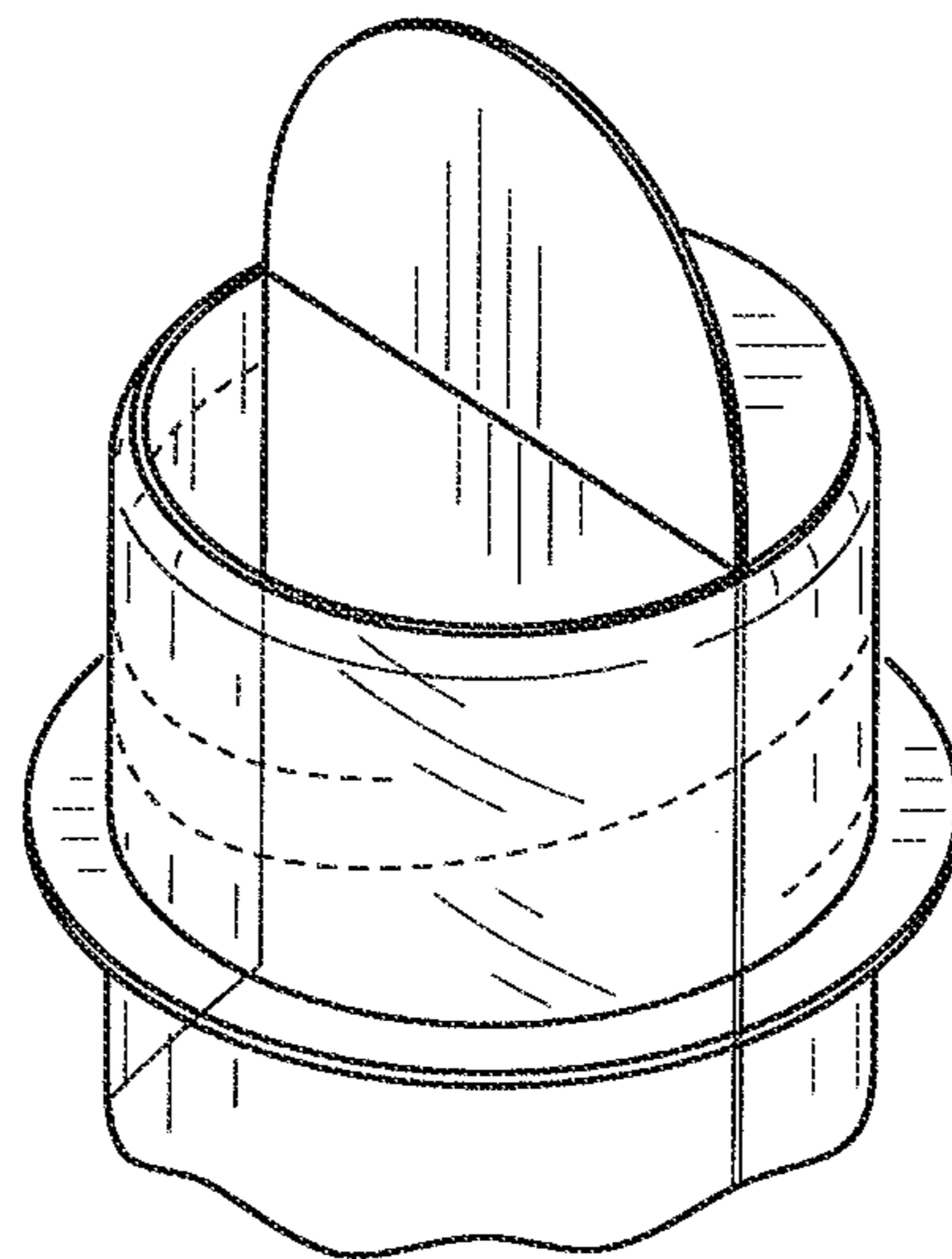


FIG. 5

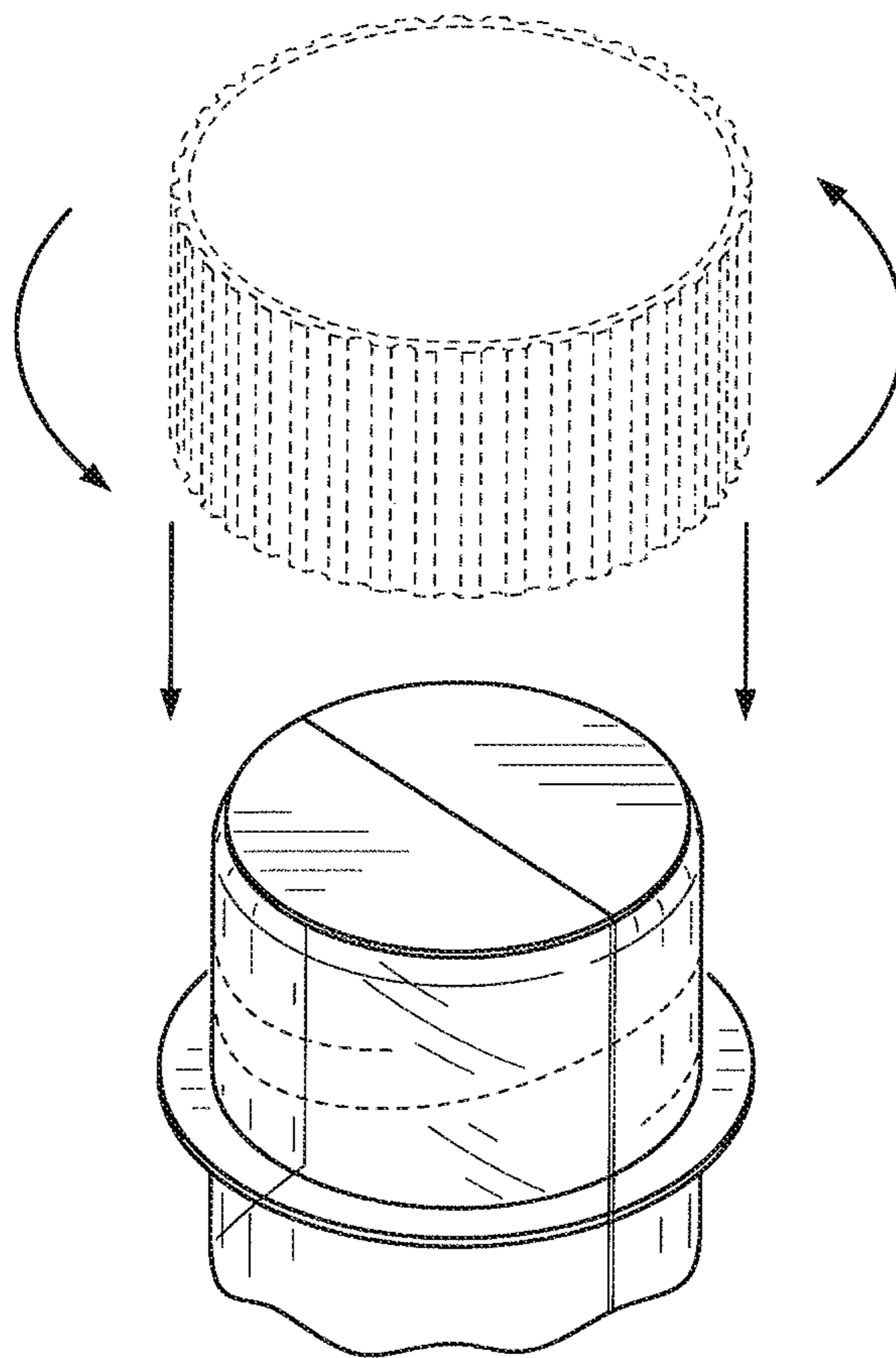


FIG. 6

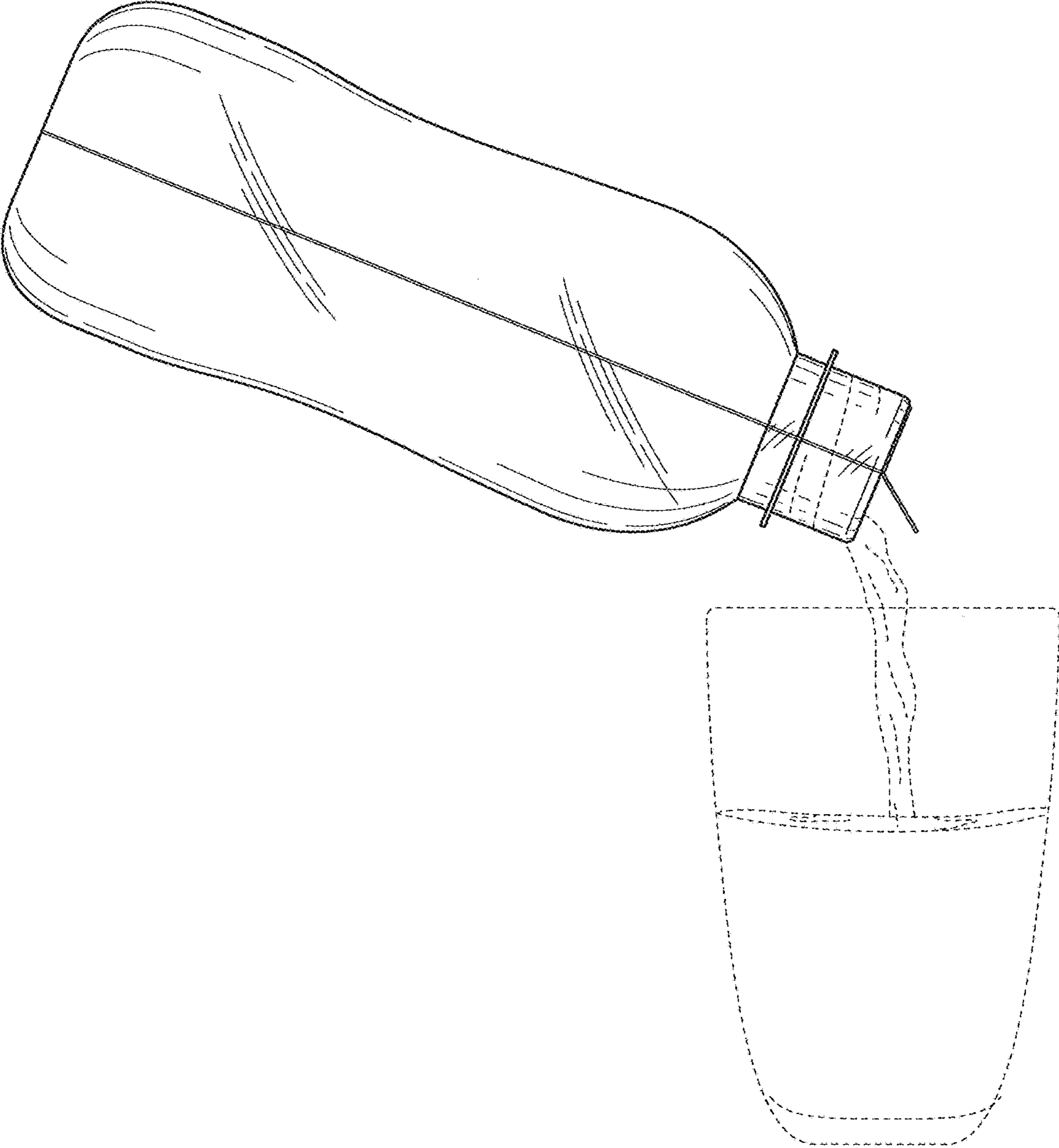


FIG. 7



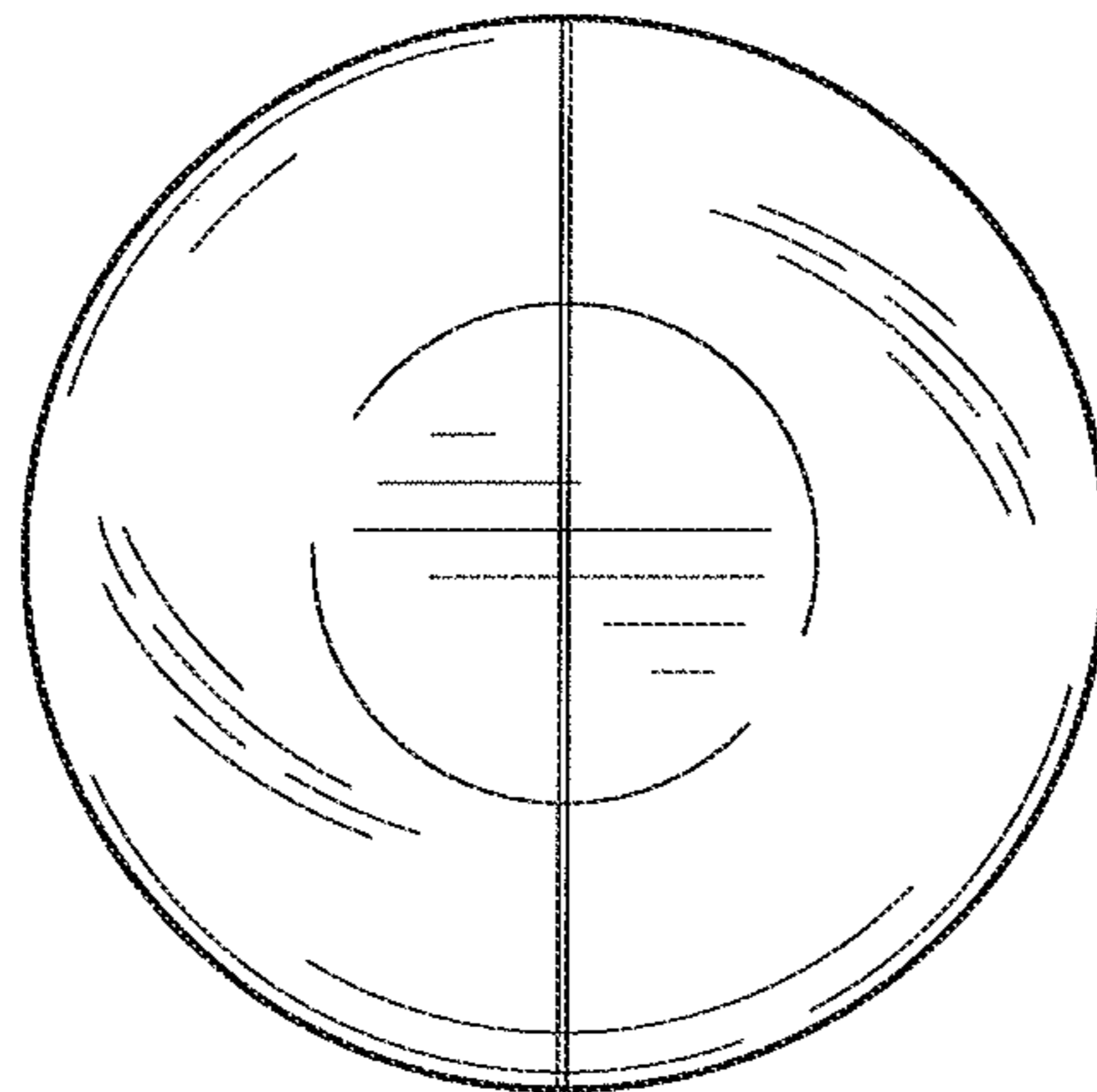


FIG. 8