



US00D829566S

(12) **United States Design Patent**
Safdie et al.

(10) **Patent No.:** **US D829,566 S**
(45) **Date of Patent:** **** Oct. 2, 2018**

(54) **PACKAGE FOR MAKEUP BRUSH ACCESSORIES**

D277,195 S * 1/1985 Lahmer D19/75
4,523,679 A * 6/1985 Paikoff A61L 2/04
206/363
4,595,102 A * 6/1986 Cianci A61B 50/33
206/370

(71) Applicant: **Best Accessory Group LLC**, New York, NY (US)

(Continued)

(72) Inventors: **Abraham Safdie**, Brooklyn, NY (US);
Jack Saban, Brooklyn, NY (US)

OTHER PUBLICATIONS

(73) Assignee: **Best Accessory Group LLC**, New York, NY (US)

Makeup Brushes Professional—KeizerPro, available Mar. 5, 2017, [online], [site visited Jun. 8, 2018]. Available from internet, <URL: https://www.amazon.com/dp/B01NARGDBH/ref=sspa_dk_detail_0?psc=1&pd_rd_i=B01NARGDBH&pd_rd_wg=WgCKo&pd_rd_r=HESFWQ9071B1MGZTWF59&pd_rd_w=GE1Bo (Year: 2017).*

(**) Term: **15 Years**

Primary Examiner — Cathron C Brooks
Assistant Examiner — W. A. Teddy Falloway
(74) *Attorney, Agent, or Firm* — Dorton & Willis, LLP

(21) Appl. No.: **29/602,451**

(22) Filed: **May 1, 2017**

(51) **LOC (11) Cl.** **09-03**

(57) **CLAIM**

(52) **U.S. Cl.**

USPC **D9/737**; D9/418; D9/424

The ornamental design for a package for makeup brush accessories, as shown and described.

(58) **Field of Classification Search**

USPC D9/737, 715, 718, 721, 748, 749, 414,
D9/415, 418, 432, 456; D3/201, 203.3,
D3/205, 313, 901; 206/372, 373,
206/486–488, 563, 564
CPC A61B 50/33; A61B 2050/3008; A61M
5/002; A61C 19/02; A61C 3/005; A61C
5/62; A61C 9/00; B25H 3/00; B25H
3/003; B25H 3/022; B25H 3/06; B65D
1/36

DESCRIPTION

See application file for complete search history.

FIG. 1 is a top perspective view of our new package for makeup brush accessories design;
FIG. 2 is a top view thereof;
FIG. 3 is a bottom view thereof;
FIG. 4 is a right-side elevation view thereof, the left-side elevation view being identical;
FIG. 5 is a front elevation view thereof, the rear elevation view being identical;
FIG. 6 is an exploded perspective view thereof, in a first arrangement;
FIG. 7 is an exploded perspective view thereof, in a second arrangement; and,
FIG. 8 is an exploded perspective view thereof, in a third arrangement.

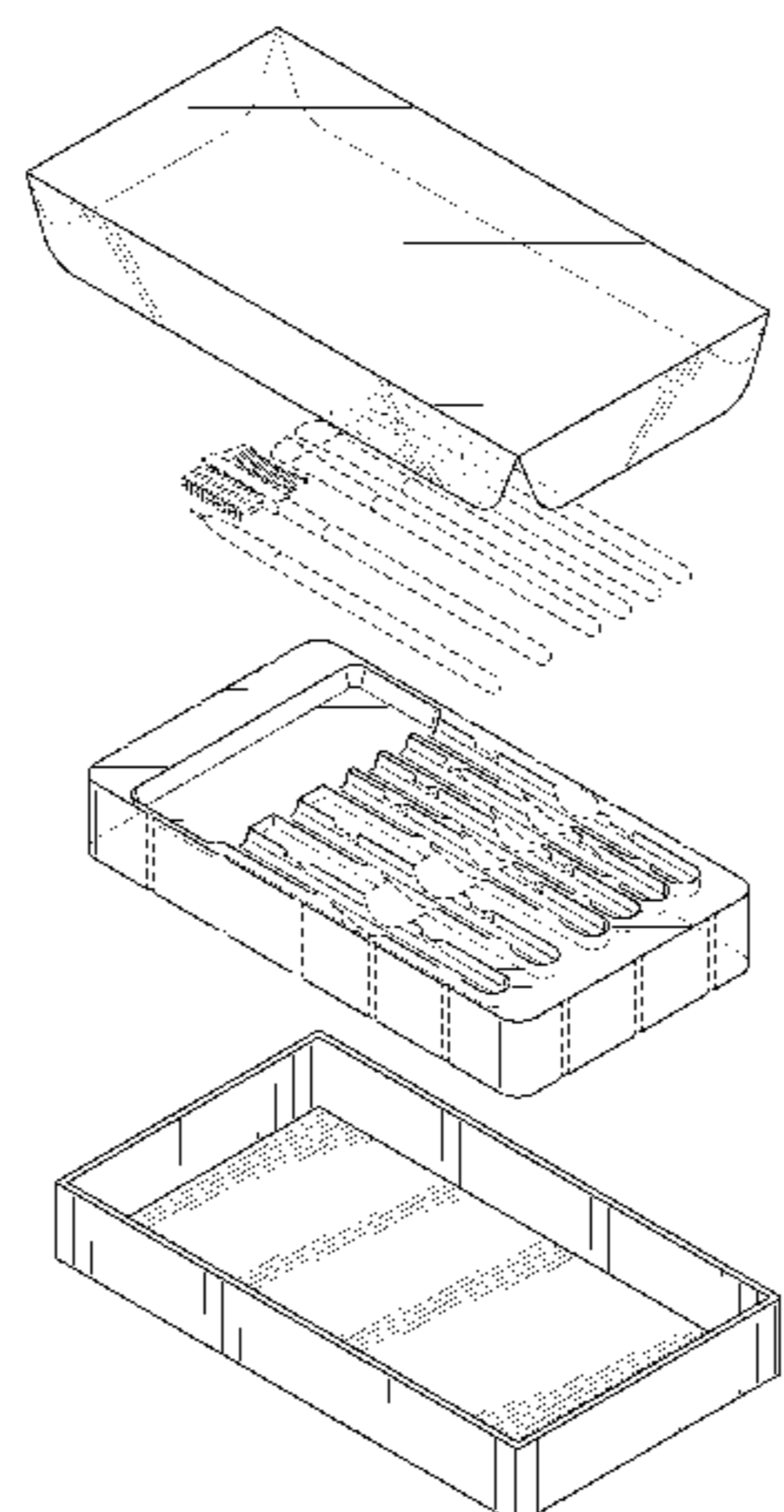
The broken lines showing makeup brush accessories illustrate environmental structure. All other broken lines illus-

(Continued)

(56) **References Cited**

U.S. PATENT DOCUMENTS

D236,437 S * 8/1975 Leathers D9/748
4,153,160 A * 5/1979 Leigh A61B 50/33
206/370
D258,391 S * 2/1981 Bohn D28/61
D266,147 S * 9/1982 McIntosh D9/751
D275,453 S * 9/1984 Bankier D9/415



trate portions of the package for makeup brush accessories.
The broken lines form no part of the claimed design.

1 Claim, 7 Drawing Sheets

(56)

References Cited

U.S. PATENT DOCUMENTS

4,657,138	A *	4/1987	Watson	A61B 50/31	206/366
D289,856	S *	5/1987	Easterling	D9/737	
4,763,791	A *	8/1988	Halverson	A61C 9/00	206/369
D302,026	S *	7/1989	Tu	D19/75	
D304,547	S *	11/1989	Holewinski	D9/414	
D307,554	S *	5/1990	McAlister, Sr.	D9/415	
D308,699	S *	6/1990	Ancona	D19/75	
5,320,223	A *	6/1994	Allen	B25H 3/06	206/372
D356,338	S *	3/1995	Magnusson	D19/77	
D363,509	S *	10/1995	Parekh	D19/75	
D365,754	S *	1/1996	Plassier	D9/418	
D369,678	S *	5/1996	Hammer	D3/318	
D371,047	S *	6/1996	Houyou	D19/77	
D384,203	S *	9/1997	Jacobson	D3/299	
D384,974	S *	10/1997	Sawano	D19/65	
D385,310	S *	10/1997	Heitmann	D21/393	
D414,808	S *	10/1999	Hunt	D19/69	
D416,581	S *	11/1999	Cheng	D19/65	
D444,060	S *	6/2001	Elsener, Sr.	D9/418	
D448,048	S *	9/2001	Brown, III	D19/75	
6,312,258	B1 *	11/2001	Ashman	A61C 8/00	206/369
6,426,041	B1 *	7/2002	Smith	A61L 2/26	206/223
D474,020	S *	5/2003	Wang	D3/274	
6,827,275	B2 *	12/2004	Allen	B25H 3/00	235/487
D554,866	S *	11/2007	Hasty	D3/319	
D589,798	S *	4/2009	Liipola	D9/456	
D633,712	S *	3/2011	Everette	D3/203.1	
D723,279	S *	3/2015	Wax	D3/318	
D746,595	S *	1/2016	Wax	D3/318	
D779,082	S *	2/2017	Andre	D24/229	
D785,943	S *	5/2017	Dutil	D3/205	
2003/0226781	A1 *	12/2003	Liao	B65D 1/36	206/525
2004/0238391	A1 *	12/2004	Pond	A61C 3/005	206/369
2006/0091031	A1 *	5/2006	Bowen	B25H 3/06	206/372
2008/0156675	A1 *	7/2008	Sadow	B65D 5/52	206/232
2010/0276436	A1 *	11/2010	Liu	B25H 3/003	220/735
2013/0277262	A1 *	10/2013	Nemard	A61J 1/03	206/438
2014/0284235	A1 *	9/2014	Redrick	B25H 3/022	206/350
2016/0100890	A1 *	4/2016	Richman	A61B 50/20	206/370
2016/0100891	A1 *	4/2016	Richman	A61B 50/30	206/370
2017/0354474	A1 *	12/2017	Dobbyn	A61B 50/33	

* cited by examiner

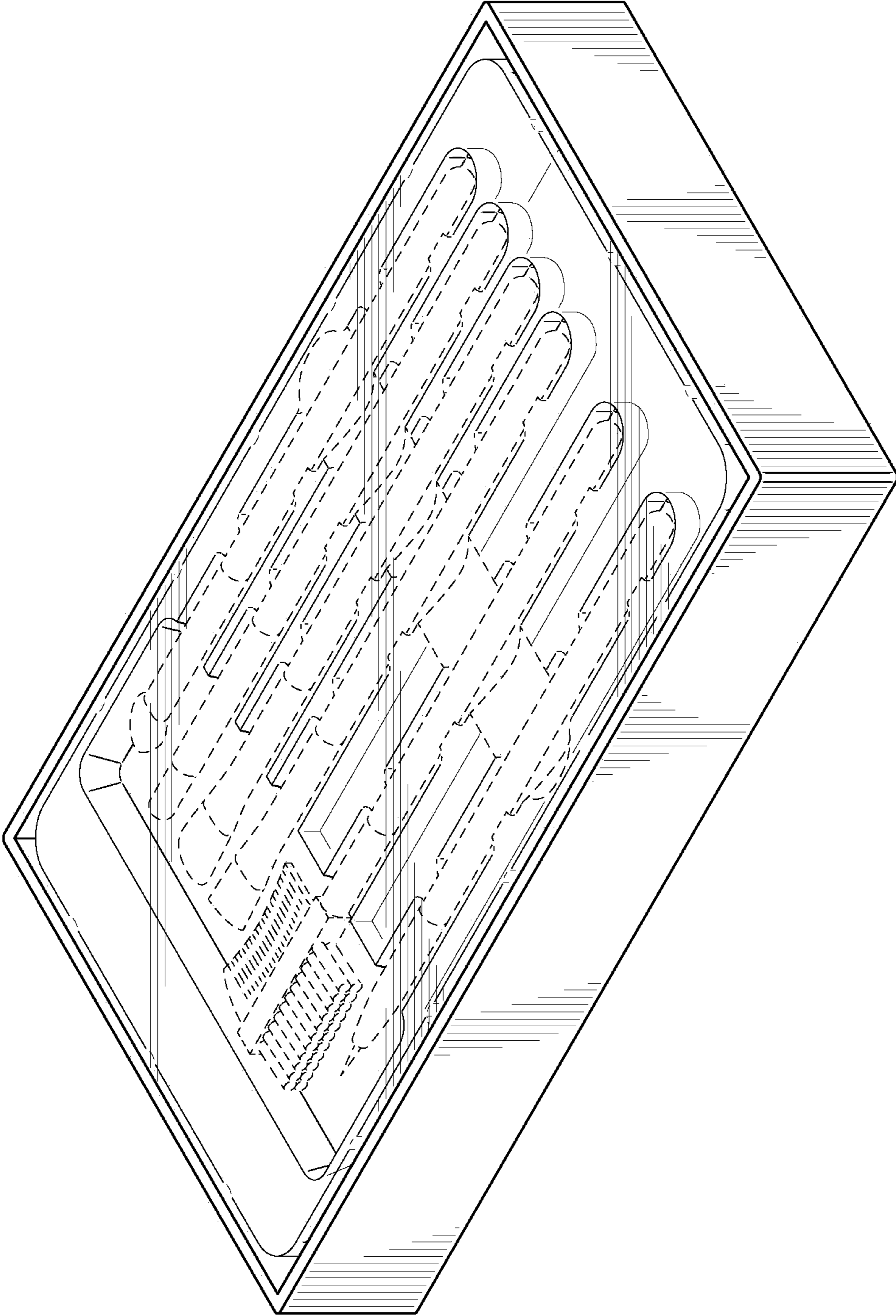


FIG. 1

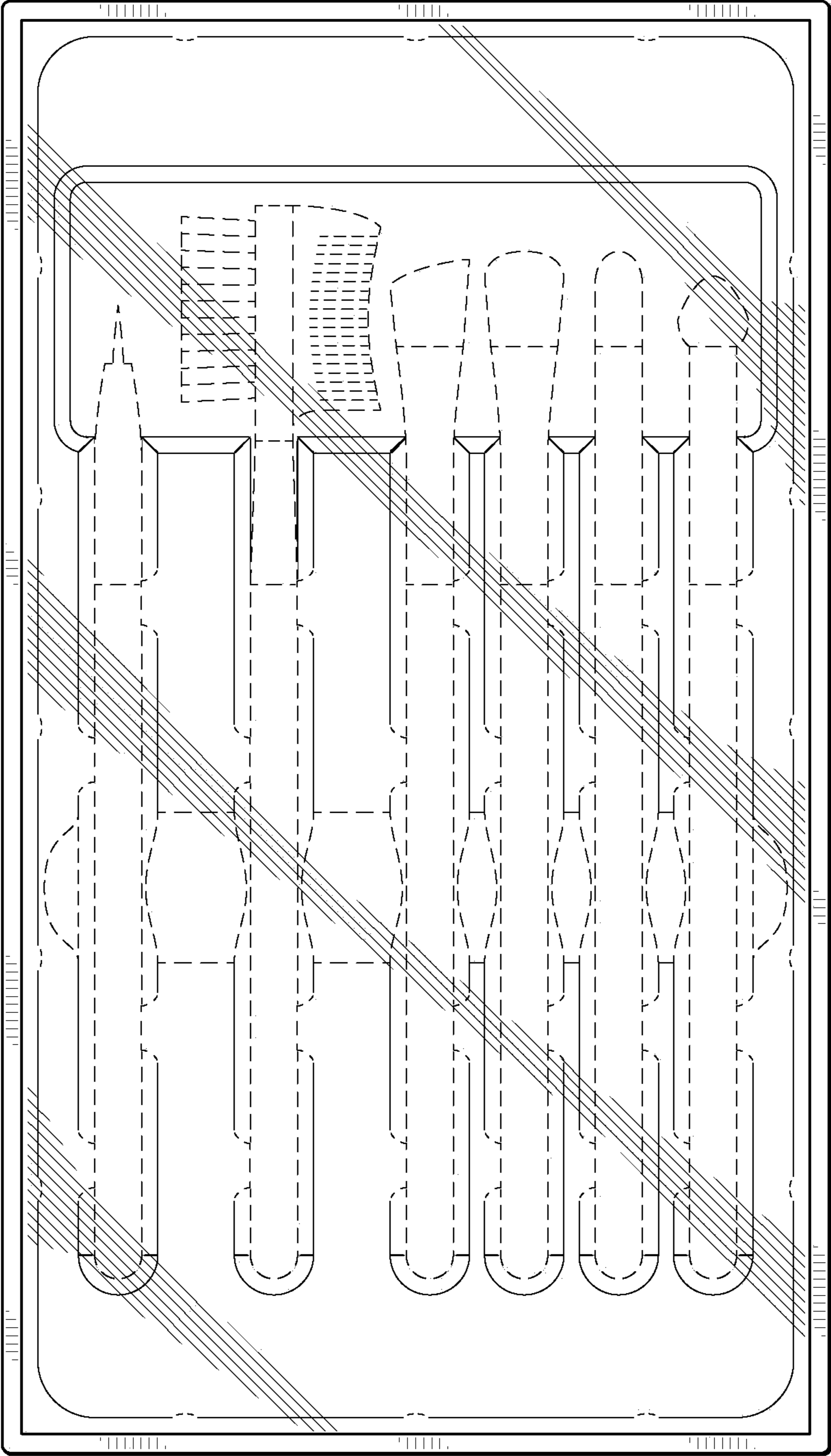


FIG. 2



FIG. 3



FIG. 4

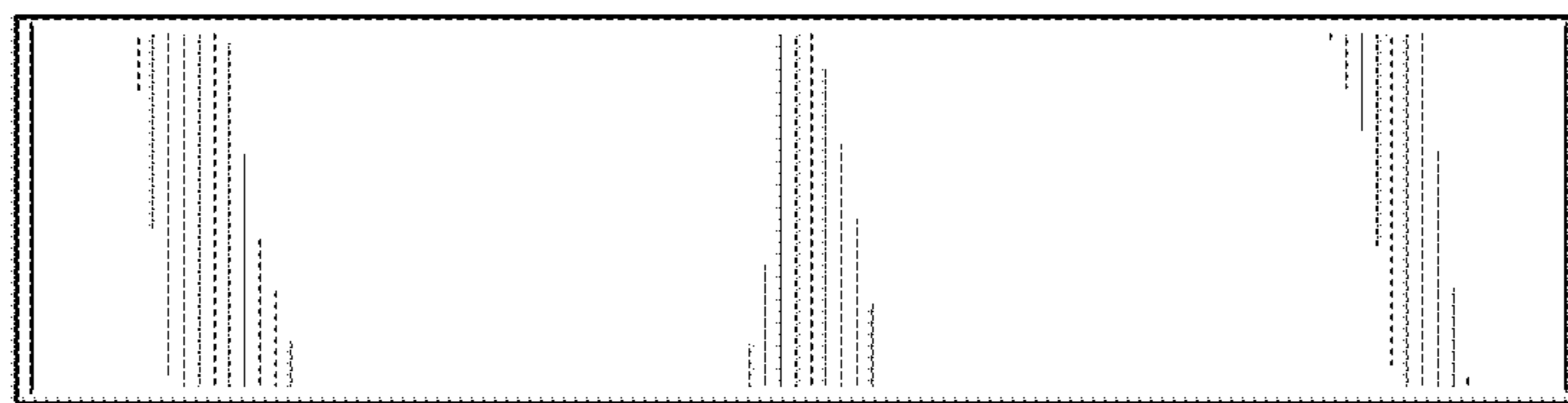


FIG. 5

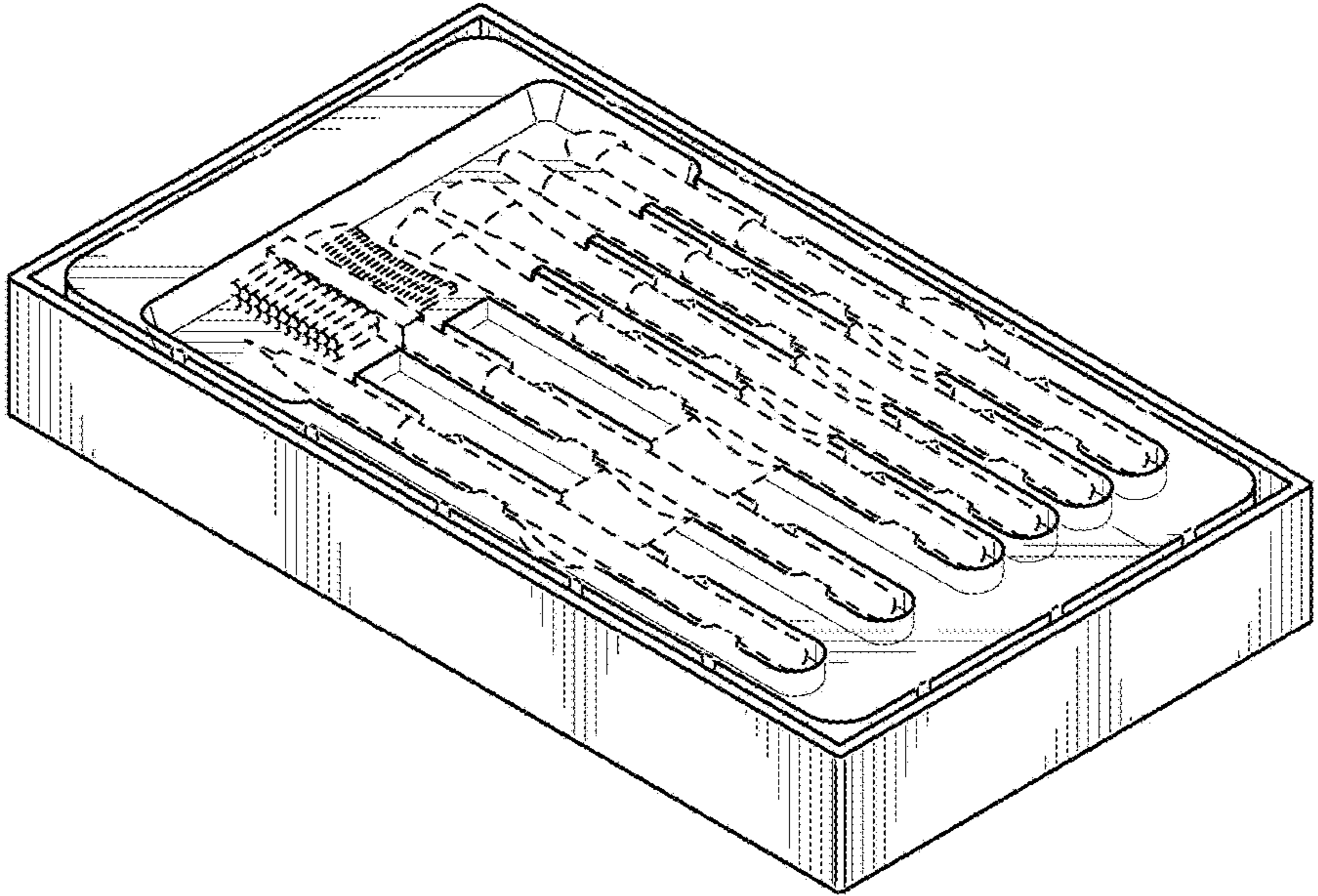
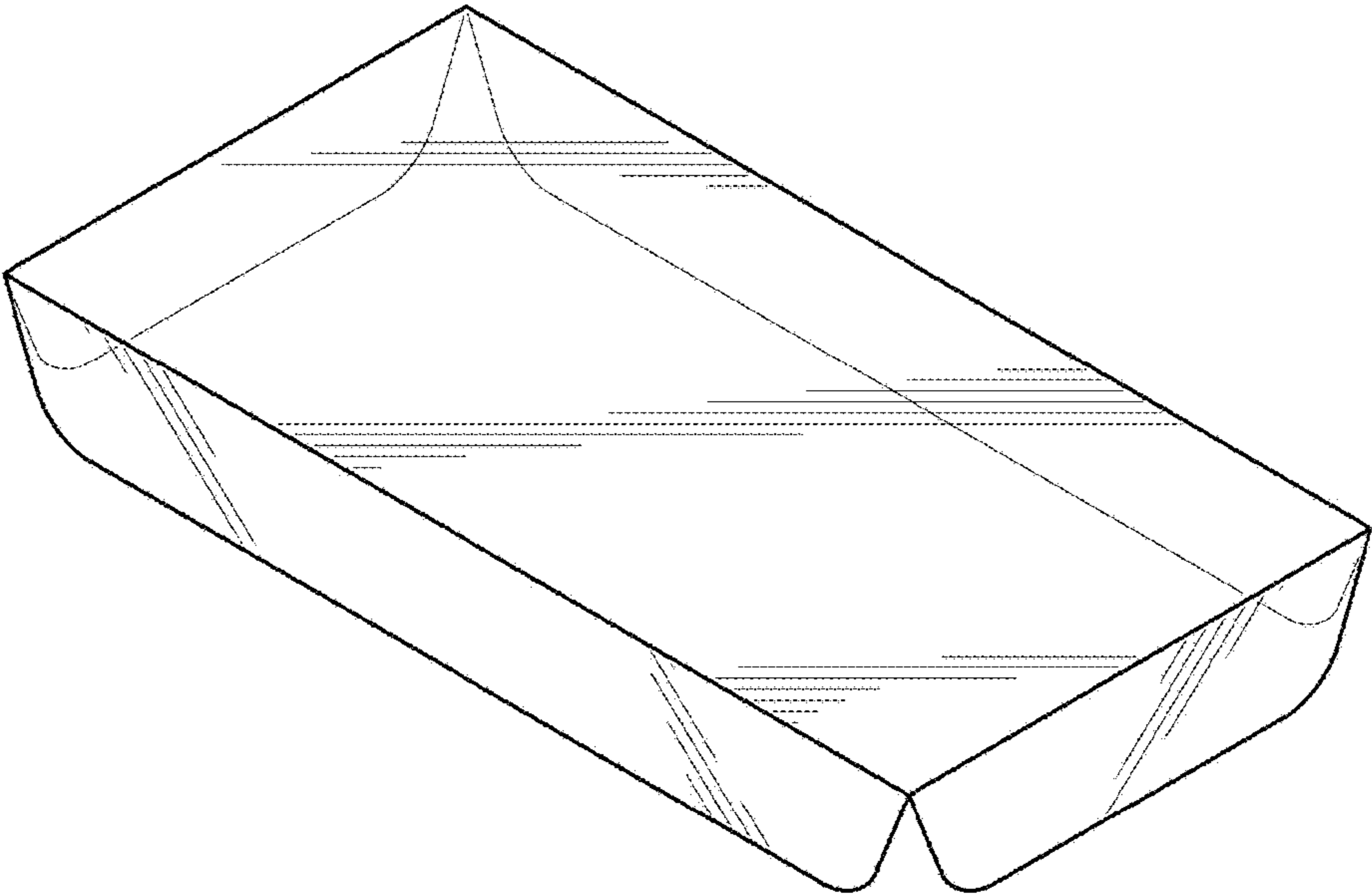


FIG. 6

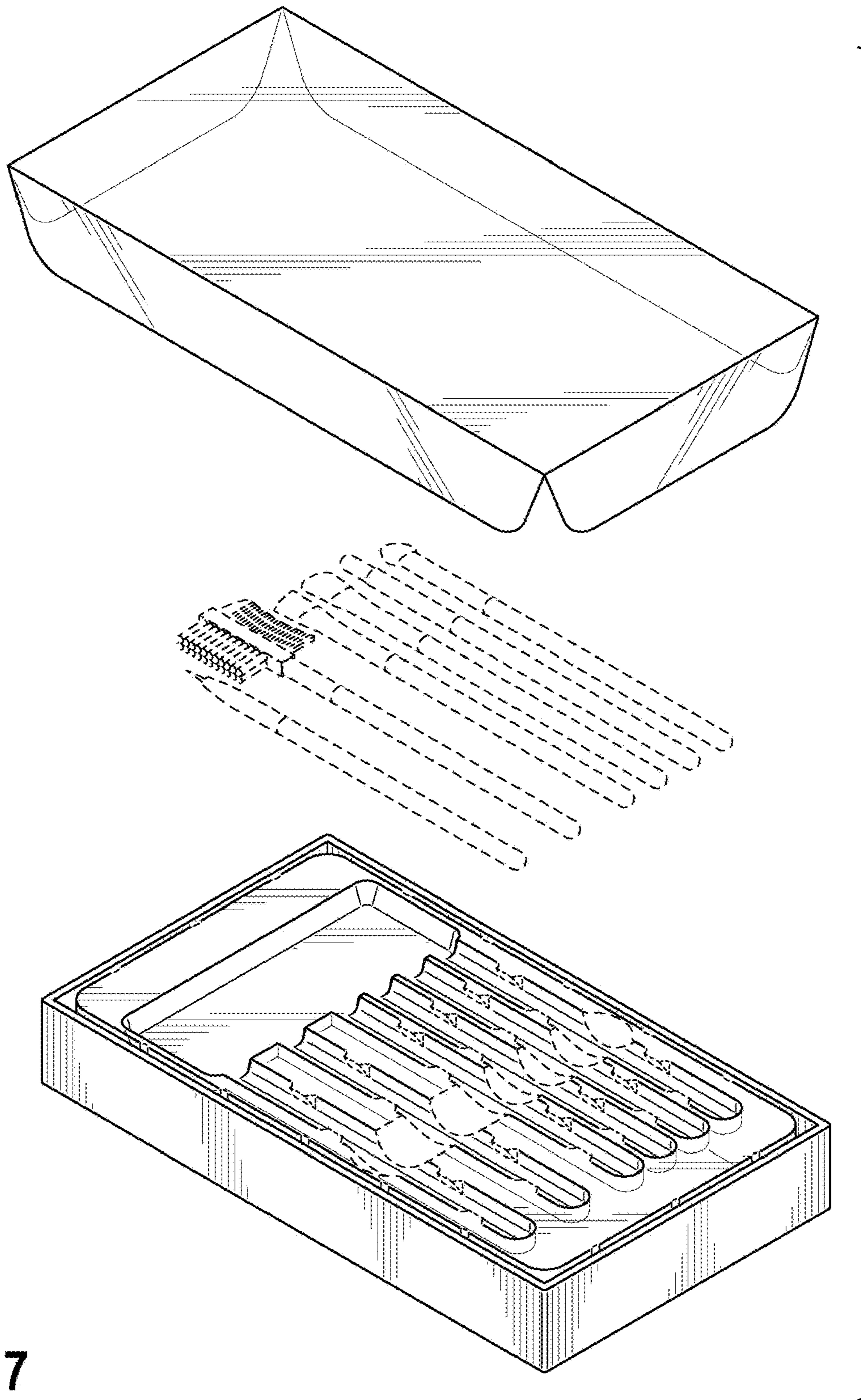


FIG. 7

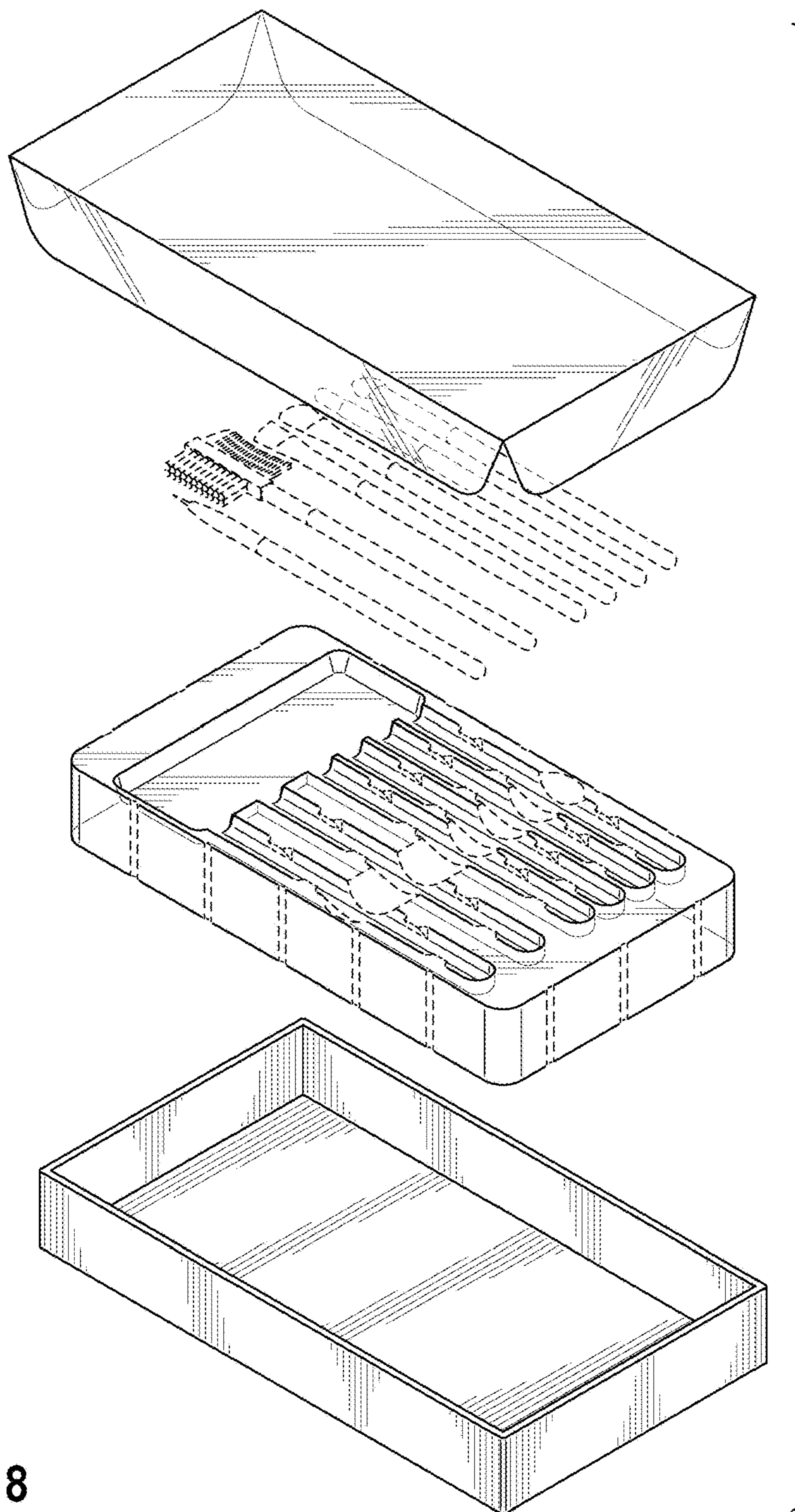


FIG. 8