

US00D829565S

(12) **United States Design Patent** (10) **Patent No.:** **US D829,565 S**
Safdie et al. (45) **Date of Patent:** **** Oct. 2, 2018**

(54) **PACKAGE FOR PERSONAL GROOMING ACCESSORIES**

D277,195 S * 1/1985 Lahmer D19/75
4,523,679 A * 6/1985 Paikoff A61L 2/04
206/363
4,595,102 A * 6/1986 Cianci A61B 50/33
206/370

(71) Applicant: **Best Accessory Group LLC**, New York, NY (US)

(Continued)

(72) Inventors: **Abraham Safdie**, Brooklyn, NY (US);
Jack Saban, Brooklyn, NY (US)

OTHER PUBLICATIONS

(73) Assignee: **Best Accessory Group LLC**, New York, NY (US)

Kolamom Baby Grooming Kit, available Mar. 13, 2018, [online], [site visited Jun. 8, 2018]. Available from internet, <URL: https://www.amazon.com/Kolamom-Grooming-Healthcare-Thermometer-Cleaning/dp/B077SYKF6J/ref=sr_1_8_a_it?ie=UTF8&qid=1528455300&sr=8-8&keywords=grooming%2Bkit%2Bpackage&th=1 (Year: 2018).*

(Continued)

(**) Term: **15 Years**

(21) Appl. No.: **29/602,450**

Primary Examiner — Cathron C Brooks

Assistant Examiner — W. A. Teddy Falloway

(22) Filed: **May 1, 2017**

(74) *Attorney, Agent, or Firm* — Dorton & Willis, LLP

(51) **LOC (11) Cl.** **09-03**

(52) **U.S. Cl.**

USPC **D9/737**; D9/418; D9/424

(58) **Field of Classification Search**

USPC D9/737, 715, 718, 721, 748, 749, 414,
D9/415, 418, 432, 456; D3/201, 203.3,
D3/205, 313, 901; 206/372, 373,
206/486–488, 563, 564

CPC A61B 50/33; A61B 2050/3008; A61M
5/002; A61C 19/02; A61C 3/005; A61C
5/62; A61C 9/00; B25H 3/00; B25H
3/003; B25H 3/022; B25H 3/06; B65D
1/36

See application file for complete search history.

(56) **References Cited**

U.S. PATENT DOCUMENTS

D236,437 S * 8/1975 Leathers D9/748
4,153,160 A * 5/1979 Leigh A61B 50/33
206/370
D258,391 S * 2/1981 Bohn D28/61
D266,147 S * 9/1982 McIntosh D9/751
D275,453 S * 9/1984 Bankier D9/415

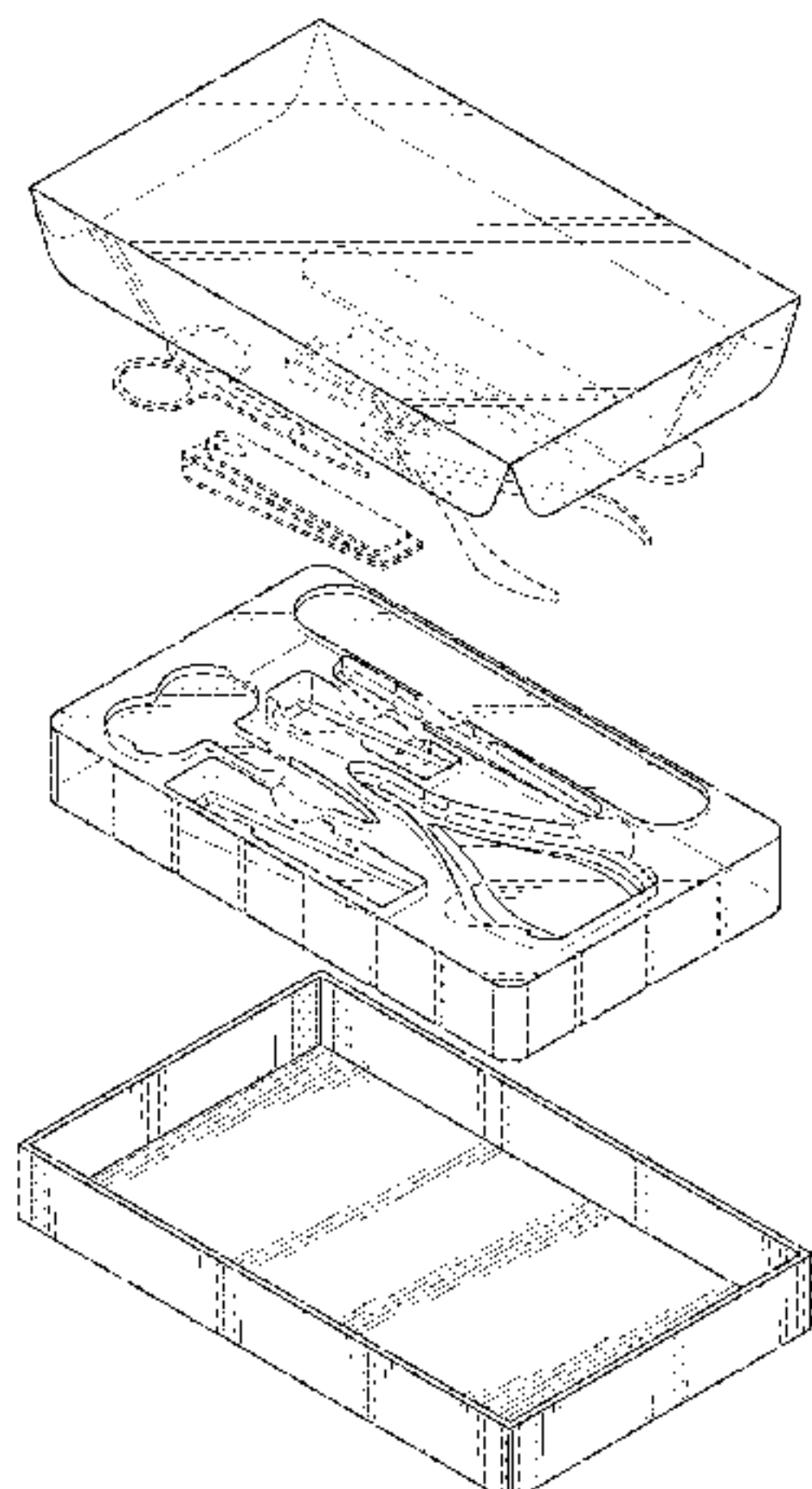
(57) **CLAIM**

The ornamental design for a package for personal grooming accessories, as shown and described.

DESCRIPTION

FIG. 1 is a top perspective view of our new package for personal grooming accessories design;
FIG. 2 is a top view thereof;
FIG. 3 is a bottom view thereof;
FIG. 4 is a right-side elevation view thereof, the left-side elevation view being identical;
FIG. 5 is a front elevation view thereof, the rear elevation view being identical;
FIG. 6 is an exploded perspective view thereof, in a first arrangement;
FIG. 7 is an exploded perspective view thereof, in a second arrangement; and,
FIG. 8 is an exploded perspective view thereof, in a third arrangement.

(Continued)



The broken lines showing grooming accessories illustrate environmental structure. All other broken lines illustrate portions of the package for personal grooming accessories. The broken lines form no part of the claimed design.

1 Claim, 7 Drawing Sheets

(56)

References Cited

U.S. PATENT DOCUMENTS

4,657,138 A * 4/1987 Watson A61B 50/31
206/366
D289,856 S * 5/1987 Easterling D9/737
4,763,791 A * 8/1988 Halverson A61C 9/00
206/369
D302,026 S * 7/1989 Tu D19/75
D304,547 S * 11/1989 Holewinski D9/414
D307,554 S * 5/1990 McAlister, Sr. D9/415
D308,699 S * 6/1990 Ancona D19/75
5,320,223 A * 6/1994 Allen B25H 3/06
206/372
D356,338 S * 3/1995 Magnusson D19/77
D363,509 S * 10/1995 Parekh D19/75
D365,754 S * 1/1996 Plassier D9/418
D369,678 S * 5/1996 Hammer D3/318
D371,047 S * 6/1996 Houyou D19/77
D384,203 S * 9/1997 Jacobson D3/299
D384,974 S * 10/1997 Sawano D19/65
D385,310 S * 10/1997 Heitmann D21/393
D414,808 S * 10/1999 Hunt D19/69
D416,581 S * 11/1999 Cheng D19/65
D444,060 S * 6/2001 Elsener, Sr. D9/418
D448,048 S * 9/2001 Brown, III D19/75
6,312,258 B1 * 11/2001 Ashman A61C 8/00
206/369
6,426,041 B1 * 7/2002 Smith A61L 2/26
206/223
D474,020 S * 5/2003 Wang D3/274

6,827,275 B2 * 12/2004 Allen B25H 3/00
235/487
D554,866 S * 11/2007 Hasty D3/319
D589,798 S * 4/2009 Liipola D9/456
D633,712 S * 3/2011 Everette D3/203.1
D723,279 S * 3/2015 Wax D3/318
D746,595 S * 1/2016 Wax D3/318
D779,082 S * 2/2017 Andre D24/229
D785,943 S * 5/2017 Dutil D3/205
2003/0226781 A1 * 12/2003 Liao B65D 1/36
206/525
2004/0238391 A1 * 12/2004 Pond A61C 3/005
206/369
2006/0091031 A1 * 5/2006 Bowen B25H 3/06
206/372
2008/0156675 A1 * 7/2008 Sandow B65D 5/52
206/232
2010/0276436 A1 * 11/2010 Liu B25H 3/003
220/735
2013/0277262 A1 * 10/2013 Nemard A61J 1/03
206/438
2014/0284235 A1 * 9/2014 Redrick B25H 3/022
206/350
2016/0100890 A1 * 4/2016 Richman A61B 50/20
206/370
2016/0100891 A1 * 4/2016 Richman A61B 50/30
206/370
2017/0354474 A1 * 12/2017 Dobbyn A61B 50/33

OTHER PUBLICATIONS

Deluxe Nail Care Kit, available Jun. 18, 2018, [online], [site visited Jun. 8, 2018]. Available from internet, <URL: <https://nevo-spa.com/en/deluxe-nail-care-kit/deluxe-nail-care-kit-almond-54.html> (Year: 2018).*

Revlon nail care system instructions, available Apr. 27, 2017, [online], [site visited Jun. 8, 2018]. Available from internet, <URL: <http://nailcare.us/revlon-nail-care-system-instructions.html> (Year: 2017).*

* cited by examiner

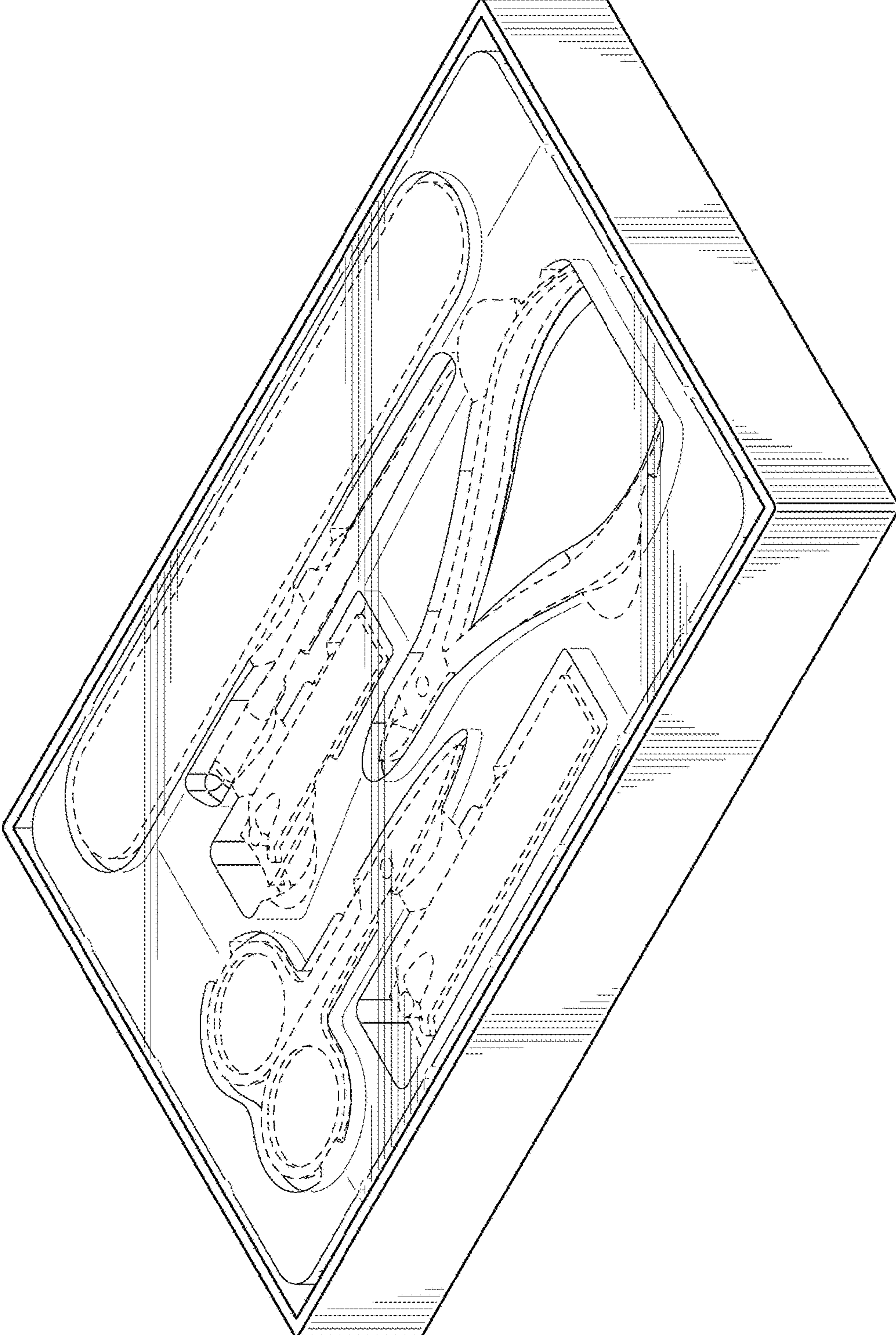


FIG. 1

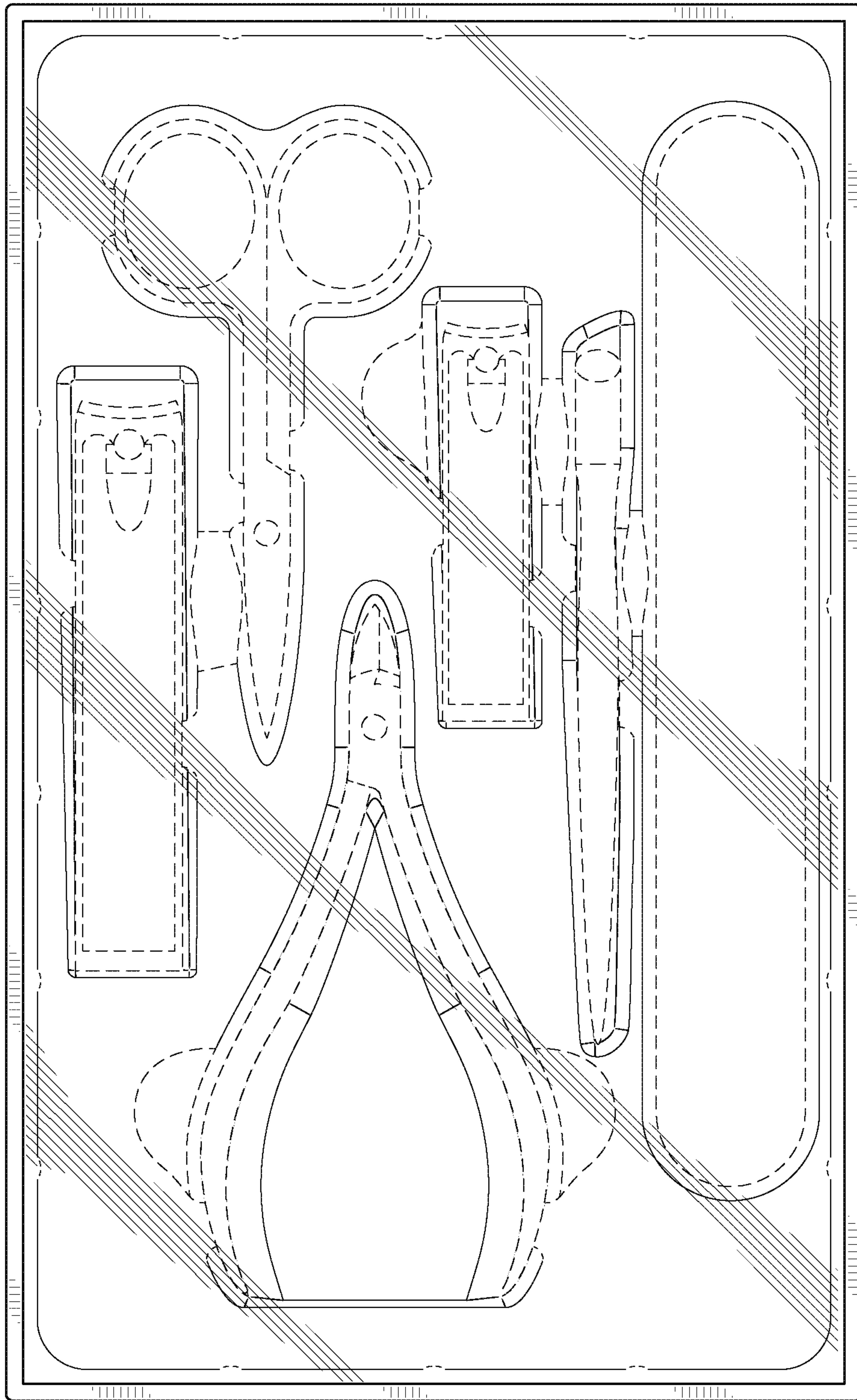


FIG. 2

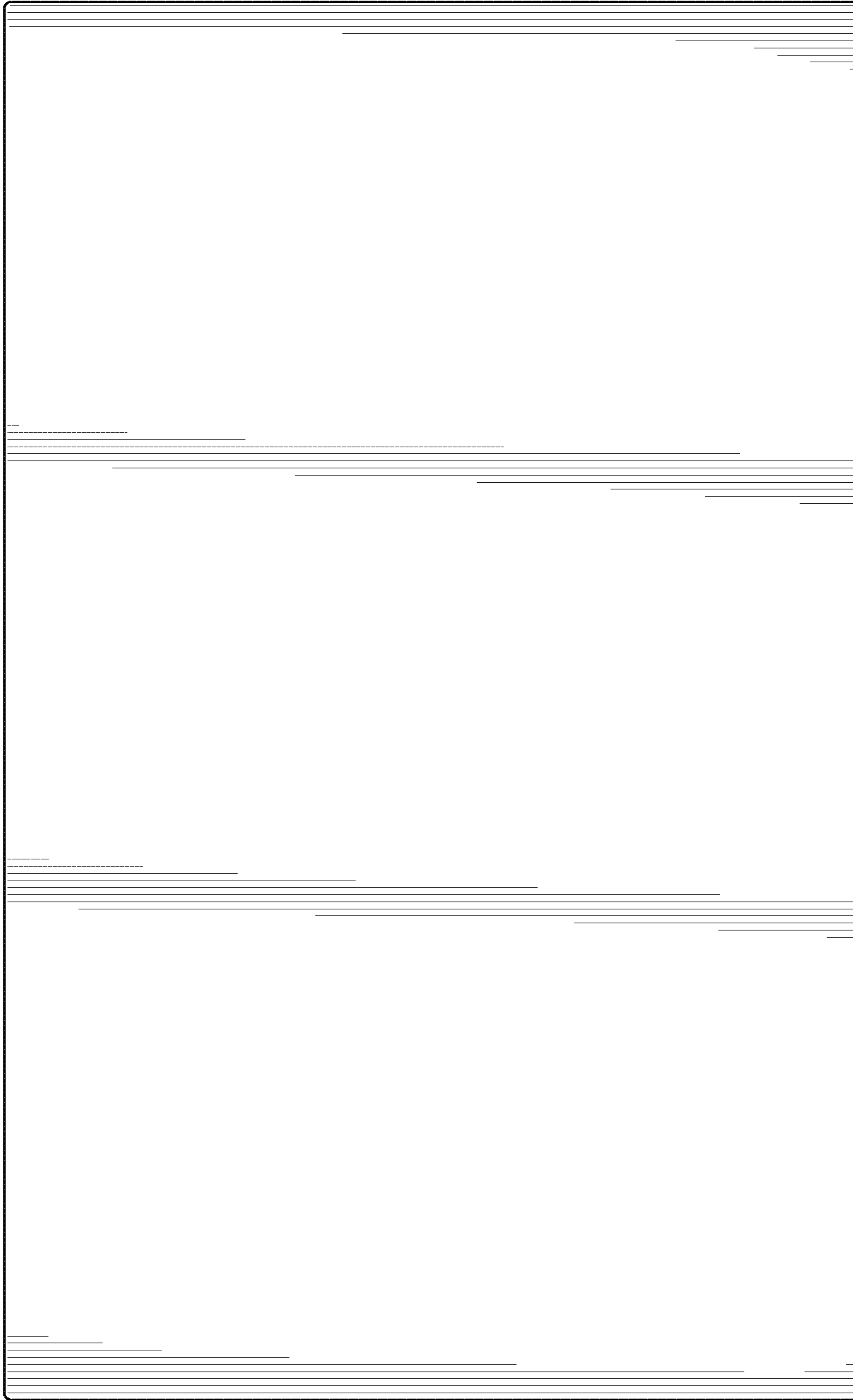


FIG. 3

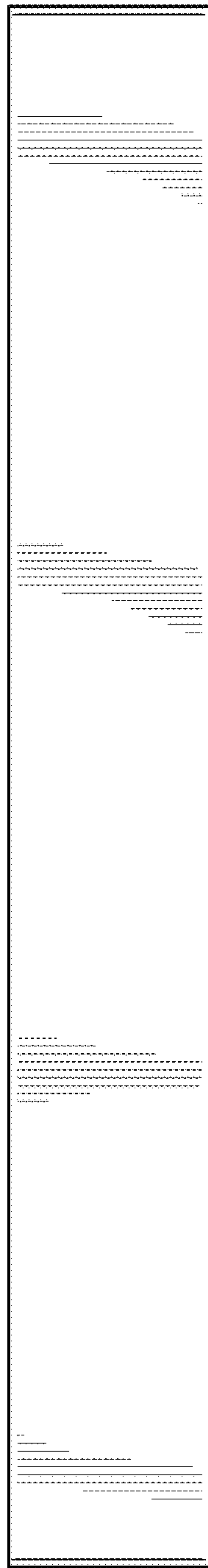


FIG. 4

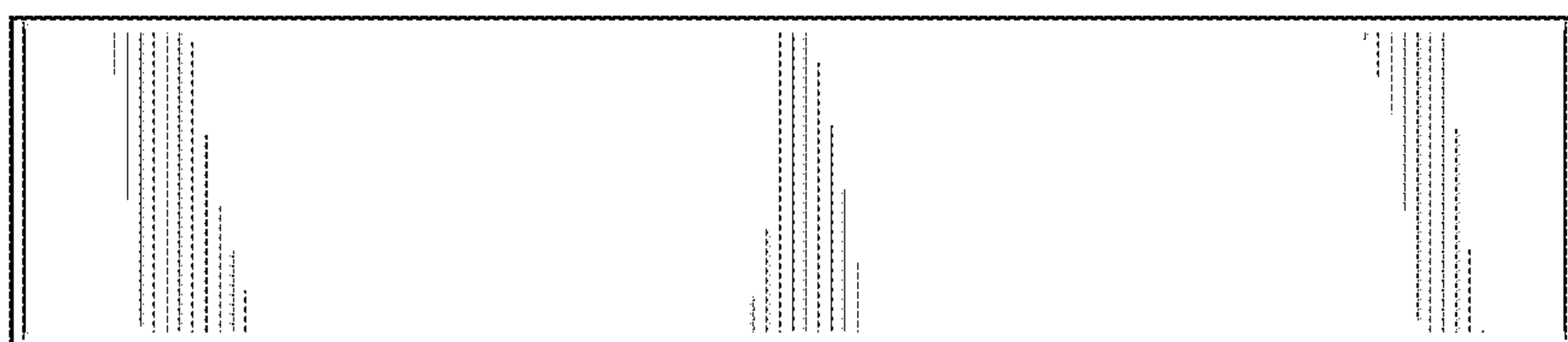


FIG. 5

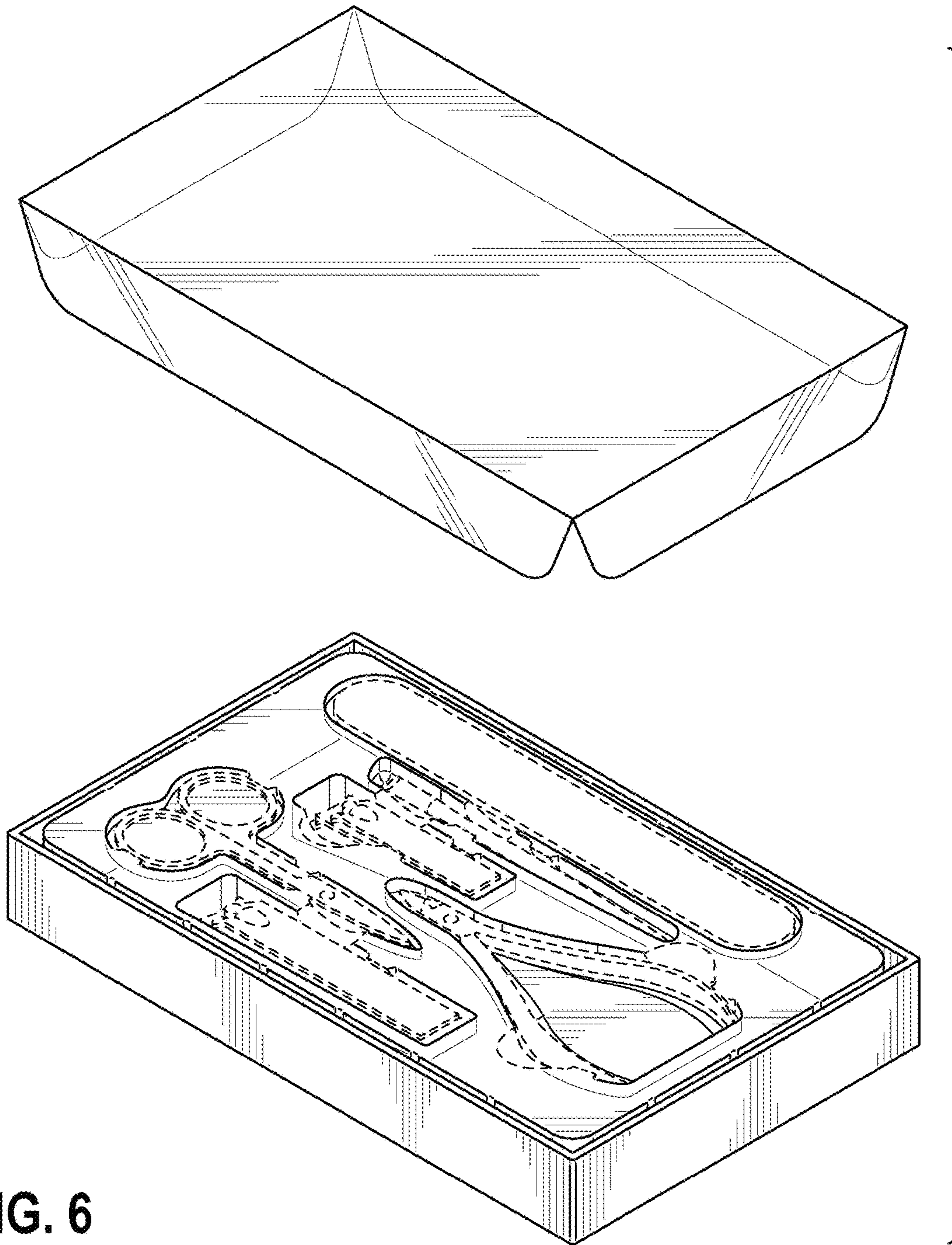


FIG. 6

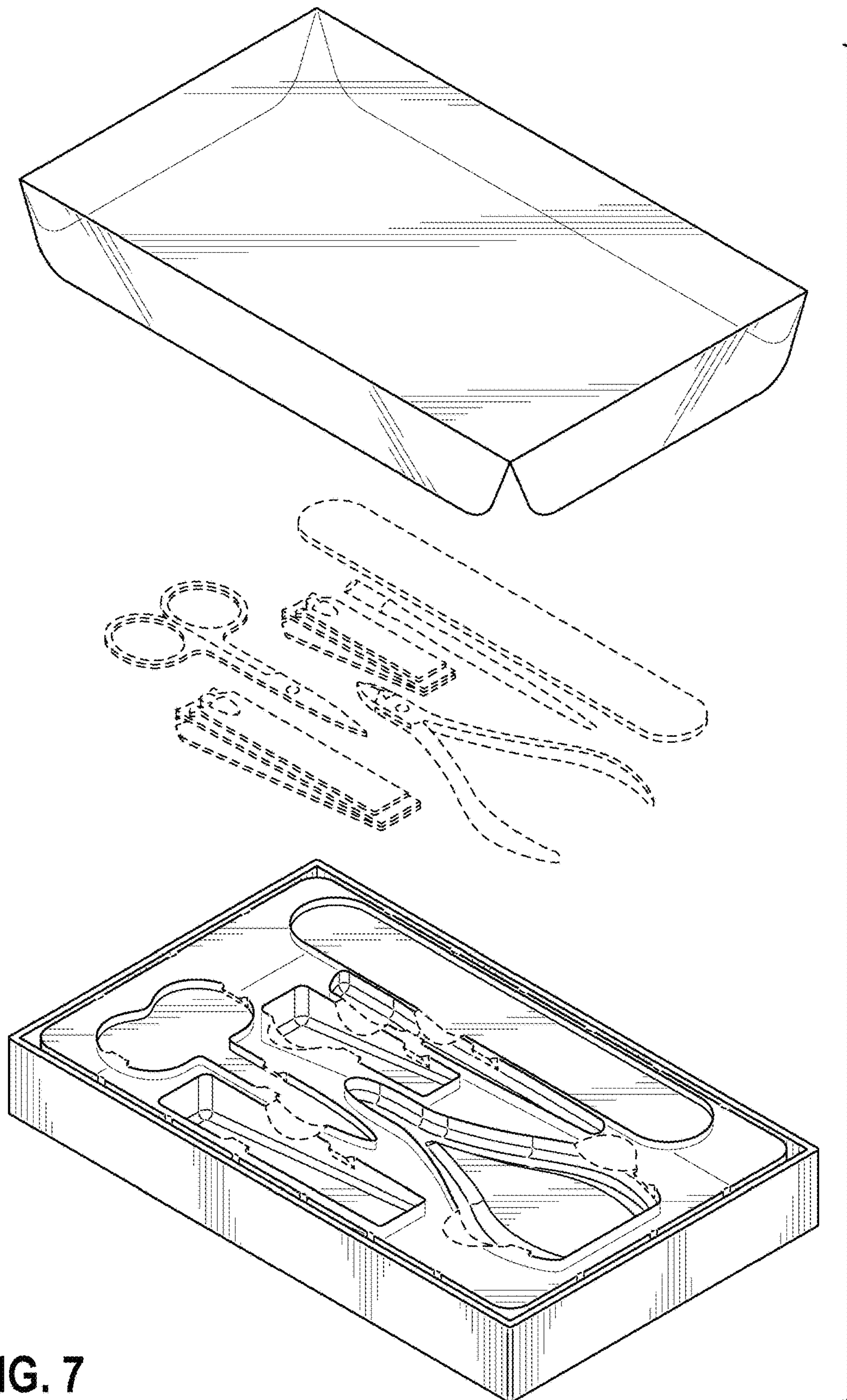


FIG. 7

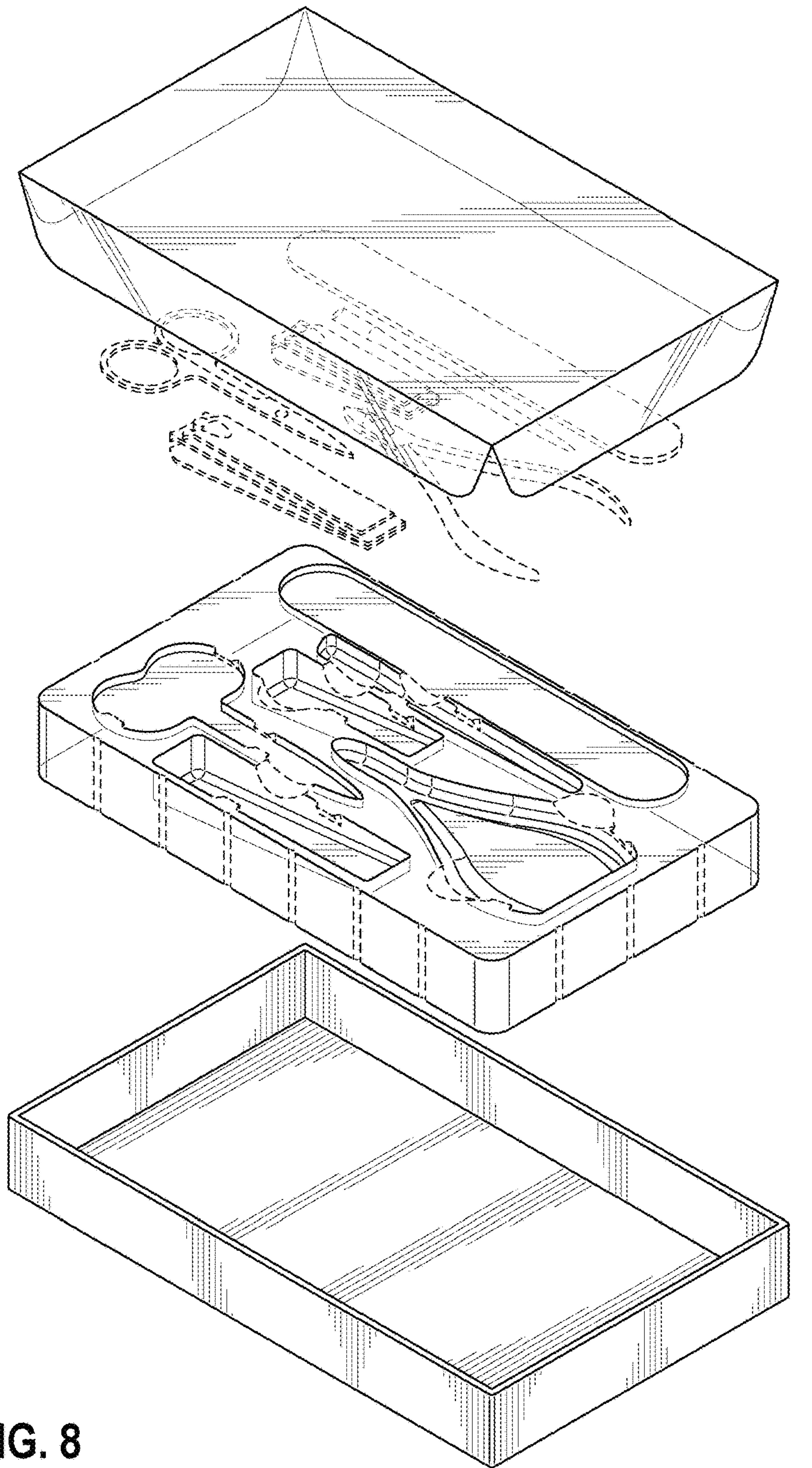


FIG. 8