



US00D829556S

(12) **United States Design Patent** (10) **Patent No.:** **US D829,556 S**
Cartis et al. (45) **Date of Patent:** **** Oct. 2, 2018**

(54) **BOTTLE**
(71) Applicant: **PepsiCo, Inc.**, Purchase, NY (US)
(72) Inventors: **Emilian D. Cartis**, Brooklyn, NY (US);
William R. Eaton, Southbury, CT
(US); **Niklas Gustafsson**, New York,
NY (US); **Kamal Mahajan**, Tarrytown,
NY (US); **Charles White**, Parsippany,
NJ (US)

D584,947 S * 1/2009 Bourne D9/502
D590,267 S 4/2009 Oommen et al.
D603,268 S 11/2009 Bourne
(Continued)

FOREIGN PATENT DOCUMENTS

CN 301830134 2/2012
CN 302173511 11/2012
(Continued)

OTHER PUBLICATIONS

Fairlife Core Power High Protein Milk Shake, announced Mar.
2012, [online], site visited Apr. 26, 2018. Available from Internet,
URL: <http://www.amazon.com> (Year: 2012).*
(Continued)

(73) Assignee: **PepsiCo, Inc.**, Purchase, NY (US)
(**) Term: **15 Years**
(21) Appl. No.: **29/601,442**
(22) Filed: **Apr. 21, 2017**
(51) **LOC (11) Cl.** **09-01**
(52) **U.S. Cl.**
USPC **D9/537**; D9/563; D9/574; D9/536
(58) **Field of Classification Search**
USPC D9/522, 530, 531, 543, 549, 558, 564,
D9/565, 569, 572, 573; 215/40, 44, 200,
215/381-384, 396; 220/288, 662, 669,
220/675, 752, 755, 771; 222/189, 209;
426/115
CPC B65D 1/02; B65D 1/0223; B65D 1/0246;
B65D 5/46; B65D 41/00; B65D 41/02;
B65D 41/04; B65D 2501/00; B65D
2501/0009
See application file for complete search history.

Primary Examiner — Derrick Edward Holland
Assistant Examiner — Janice Julia Patyk
(74) *Attorney, Agent, or Firm* — Sterne, Kessler,
Goldstein & Fox P.L.L.C.

(57) **CLAIM**

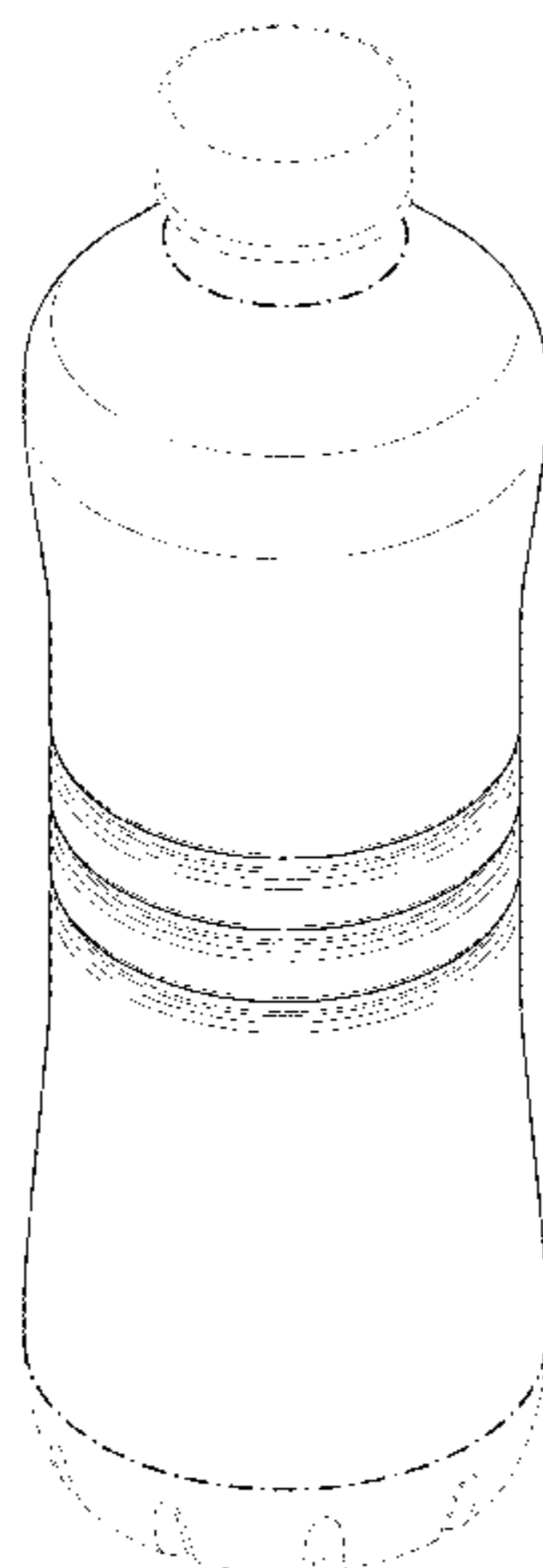
The ornamental design for a bottle, as shown and described.

DESCRIPTION

FIG. 1 is a top perspective view of a bottle showing the
claimed design;
FIG. 2 is a bottom perspective view thereof;
FIG. 3 is a front view thereof;
FIG. 4 is a rear view thereof;
FIG. 5 is a left side view thereof;
FIG. 6 is a right side view thereof;
FIG. 7 is a top view thereof; and,
FIG. 8 is a bottom view thereof.
The dashed broken lines in the figures show portions of the
bottle that form no part of the claimed design.
The dot-dash broken lines in the figures show boundaries
that form no part of the claimed design.

1 Claim, 7 Drawing Sheets

(56) **References Cited**
U.S. PATENT DOCUMENTS
D452,440 S * 12/2001 Bezek D9/502
D504,069 S 4/2005 Gross et al.
D506,931 S 7/2005 Delmotte
D545,194 S 6/2007 Goudsblom
D547,667 S 7/2007 DeMaso et al.
D571,214 S 6/2008 Caszatt



(56)

References Cited

U.S. PATENT DOCUMENTS

D605,518 S 12/2009 Desjardins
 D608,203 S 1/2010 Yourist
 D611,838 S * 3/2010 Metzger D9/776
 D613,166 S 4/2010 Bentley
 D613,167 S * 4/2010 Stoffers D9/502
 D615,403 S * 5/2010 Goetz D9/500
 D622,605 S 8/2010 Perez et al.
 D623,067 S 9/2010 Lovelace, Jr. et al.
 D633,793 S * 3/2011 Reagan D9/500
 D635,461 S 4/2011 Inoi et al.
 D637,909 S 5/2011 Fleischhacker et al.
 D641,244 S 7/2011 Bysick et al.
 D642,471 S 8/2011 White et al.
 D642,922 S 8/2011 Kuzma et al.
 D645,351 S * 9/2011 McMillan D9/502
 D652,732 S 1/2012 Oommen et al.
 D652,733 S 1/2012 Oommen et al.
 D664,437 S 7/2012 Barel
 D664,438 S 7/2012 Barel
 D667,306 S 9/2012 Verea
 D671,007 S 11/2012 Lovelace, Jr. et al.
 D671,413 S 11/2012 Yourist
 D682,700 S 5/2013 White et al.
 D689,375 S 9/2013 Garner
 D698,656 S 2/2014 Fleischhacker et al.
 D699,114 S 2/2014 Fleischhacker et al.
 D700,517 S * 3/2014 Oommen D9/500
 D709,377 S 7/2014 Kondo
 D726,539 S * 4/2015 Paredes D9/500
 D739,758 S 9/2015 Kissinger et al.
 D740,663 S 10/2015 Zeboudj
 D742,238 S 11/2015 Llewellyn et al.
 D744,835 S 12/2015 Warner et al.
 D746,685 S 1/2016 Foley
 D746,686 S 1/2016 Yourist
 D746,687 S 1/2016 Yourist
 D746,688 S 1/2016 Yourist
 D747,209 S 1/2016 Barel
 D755,049 S 5/2016 Clark et al.
 D755,636 S 5/2016 Hanan
 D763,090 S 8/2016 Zeng et al.

FOREIGN PATENT DOCUMENTS

CN 302854863 6/2014
 CN 302907297 8/2014
 CN 303017692 12/2014

CN 303393352 9/2015
 CN 303450158 11/2015
 EM 000144373-0001 6/2004
 EM 000144373-0002 6/2004
 EM 000181128-0001 8/2004
 EM 000181128-0002 8/2004
 EM 000181128-0003 8/2004
 EM 000283718-0002 3/2005
 EM 000283718-0003 3/2005
 EM 000526744-0001 6/2006
 EM 000526744-0003 6/2006
 EM 000526744-0004 6/2006
 EM 000546213-0001 7/2006
 EM 000546213-0003 7/2006
 EM 000554860-0008 8/2006
 EM 000479787-0002 3/2007
 EM 001038590-0001 11/2008
 EM 001595687-0001 8/2009
 EM 001999491-0002 3/2012
 EM 001999491-0003 3/2012
 EM 002430256-0002 3/2014
 EM 002430256-0003 3/2014
 EM 002430256-0004 3/2014
 EM 002430256-0005 3/2014
 EM 002473611-0001 7/2014
 EM 002614214-0001 1/2015
 EM 002614214-0002 1/2015
 EM 002614214-0003 1/2015
 EM 002614214-0004 1/2015
 EM 002614214-0005 1/2015
 EM 002639393-0003 2/2015
 EM 002696179-0001 5/2015
 EM 002731307-0001 9/2015
 EM 003474832-0001 11/2016
 EM 003728575-0001 2/2017
 EM 003771898-0001 3/2017
 EM 003792803-0001 3/2017
 JP D1487454 1/2014
 WO WO D071995-001 7/2009

OTHER PUBLICATIONS

Photograph of “Verday Chlorophyll Water” and “Pineapple Fat Water” bottles, believed taken Apr. 17, 2017.
 Digital Image of ViO BiO LiMO Bottle, believed available on May 24, 2017.
 “Braklanserer Farris & Juice,” FastFood, believed available on May 24, 2017.

* cited by examiner

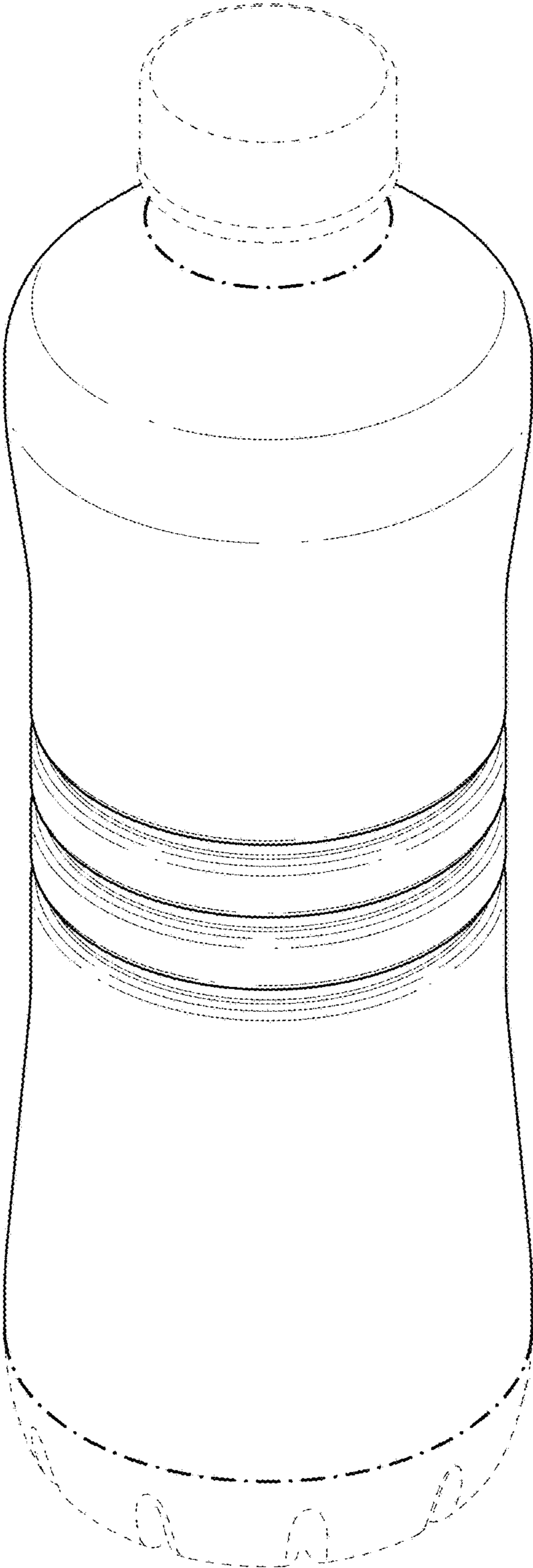


FIG. 1

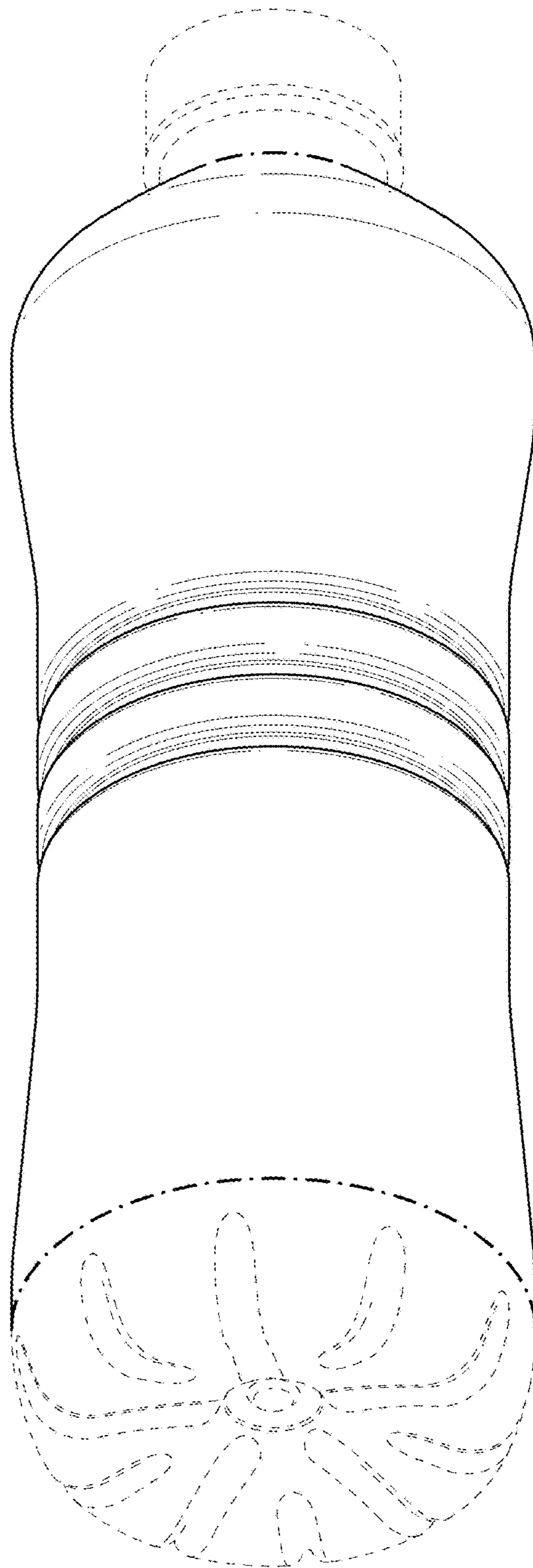


FIG. 2

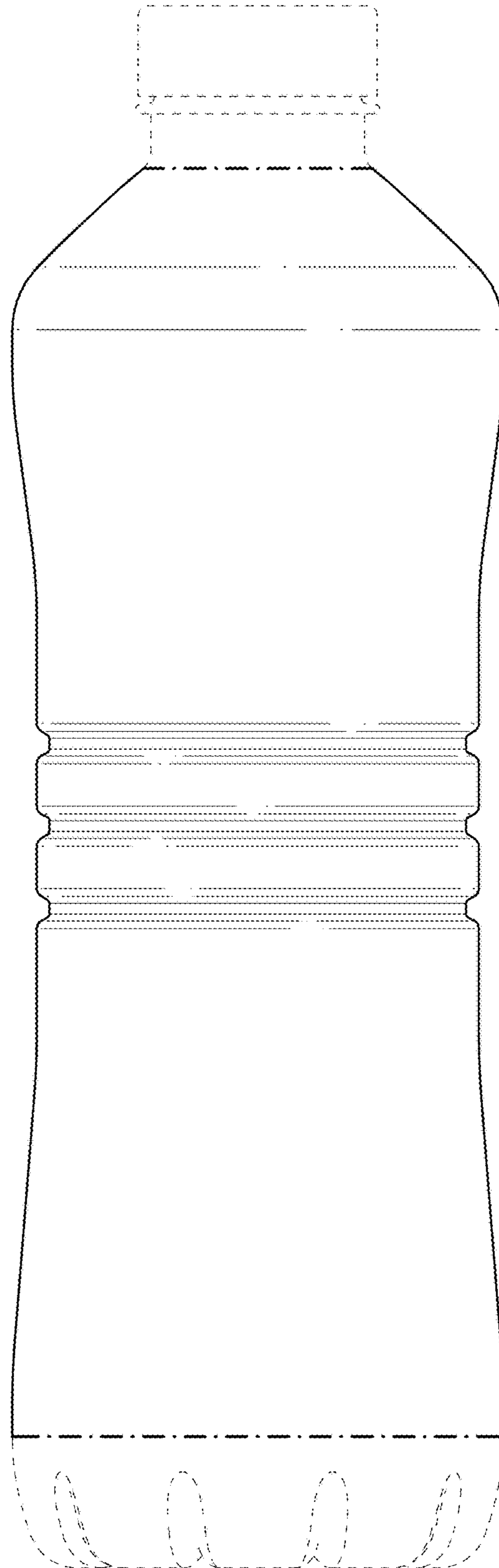


FIG. 3

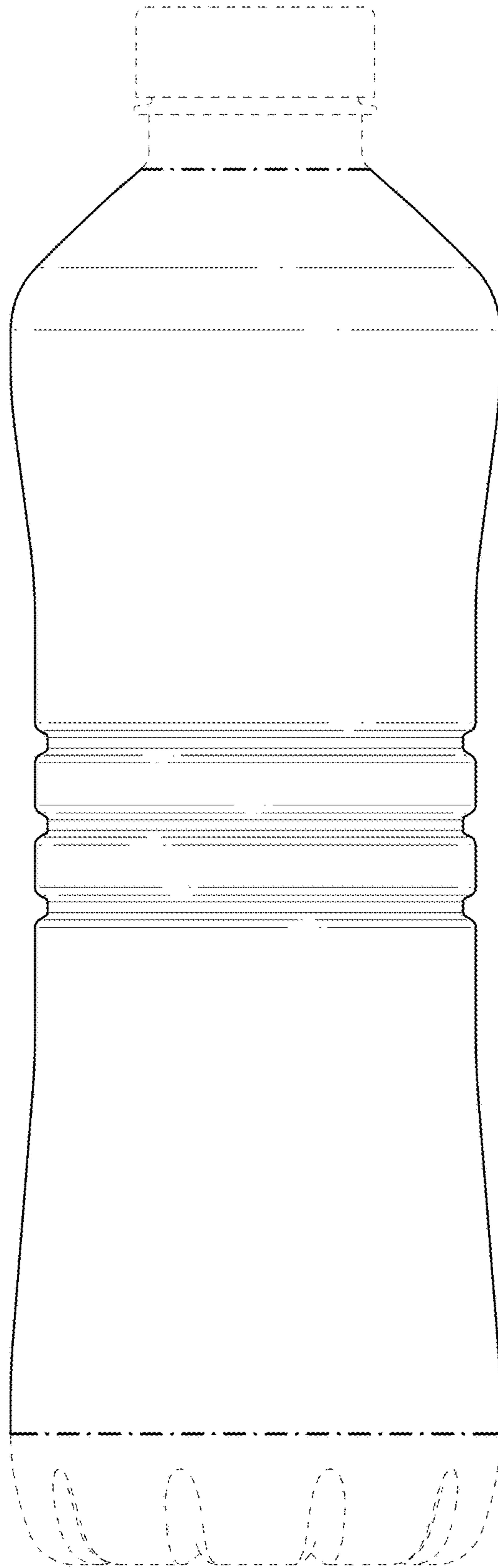


FIG. 4

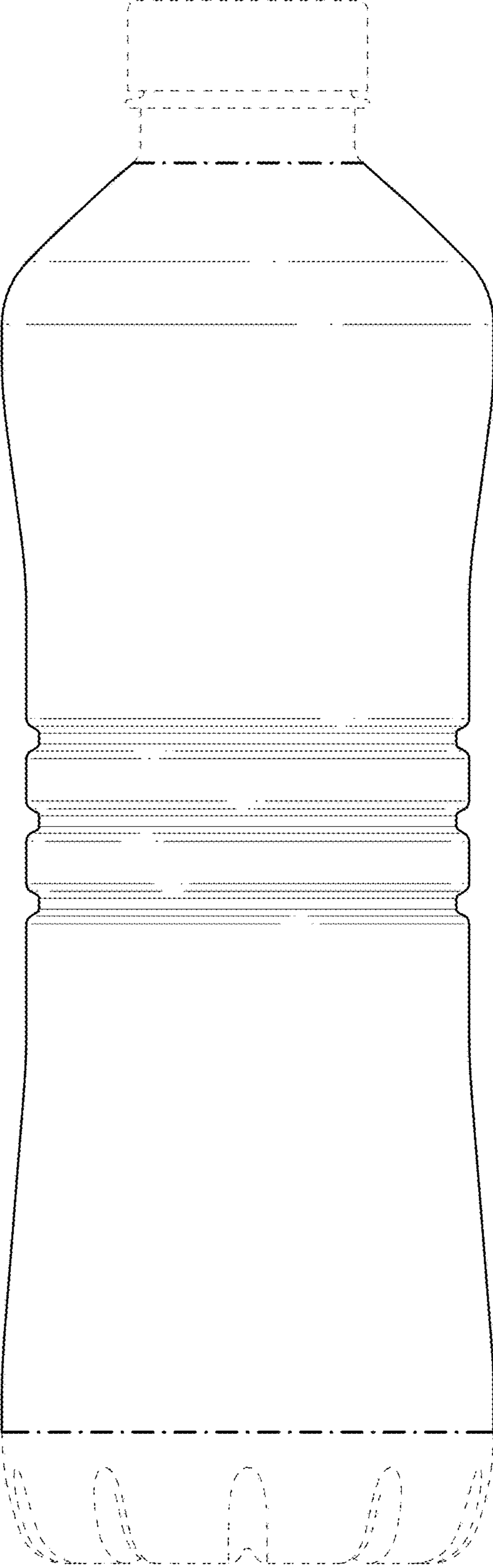


FIG. 5

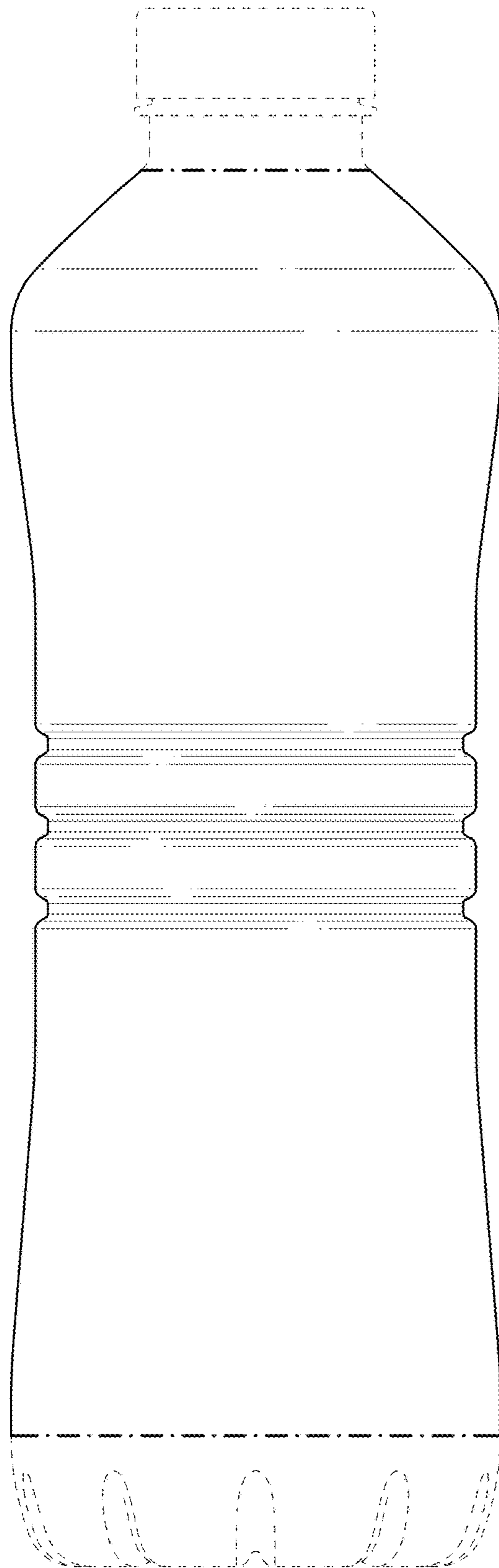


FIG. 6

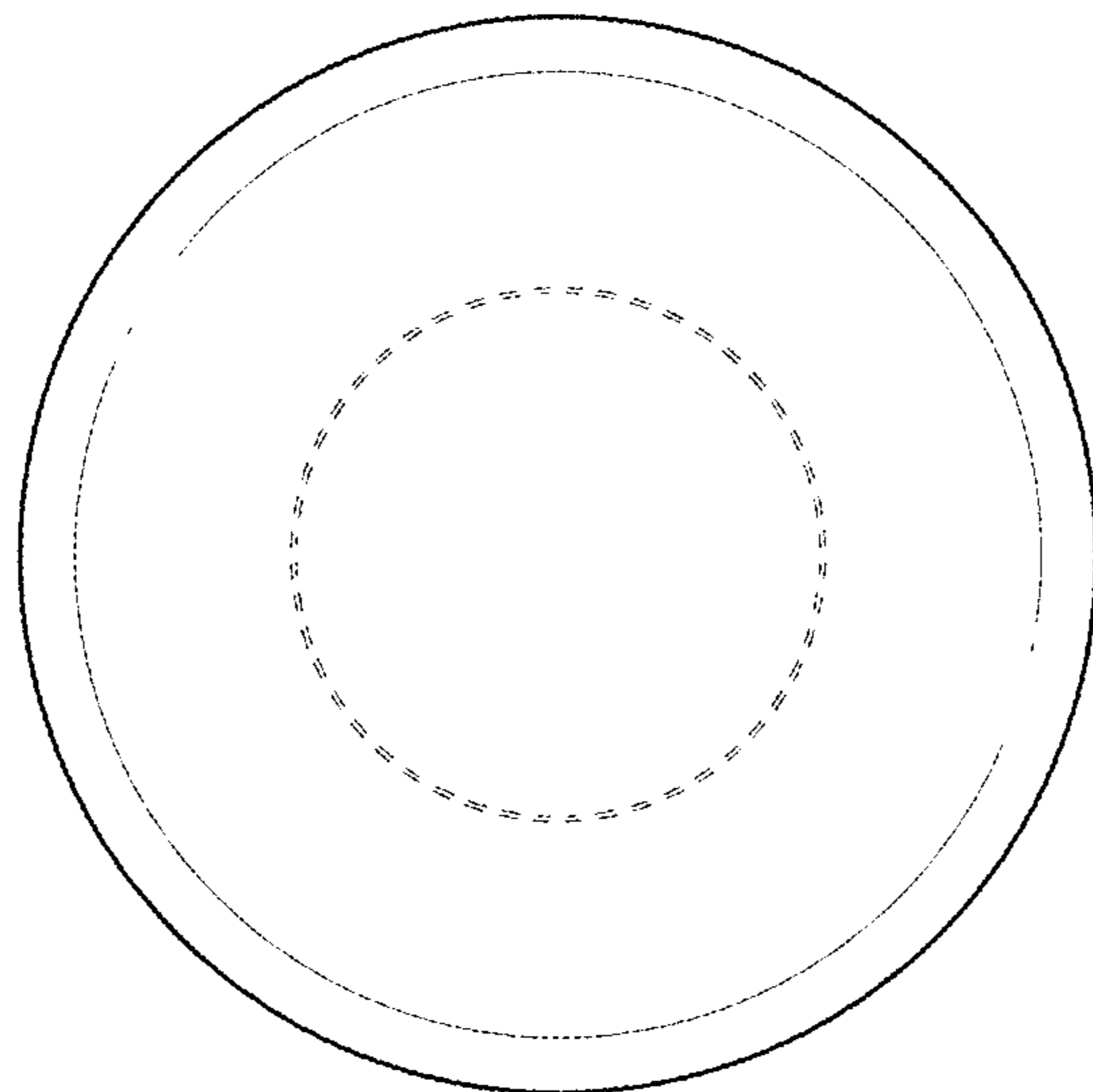


FIG. 7

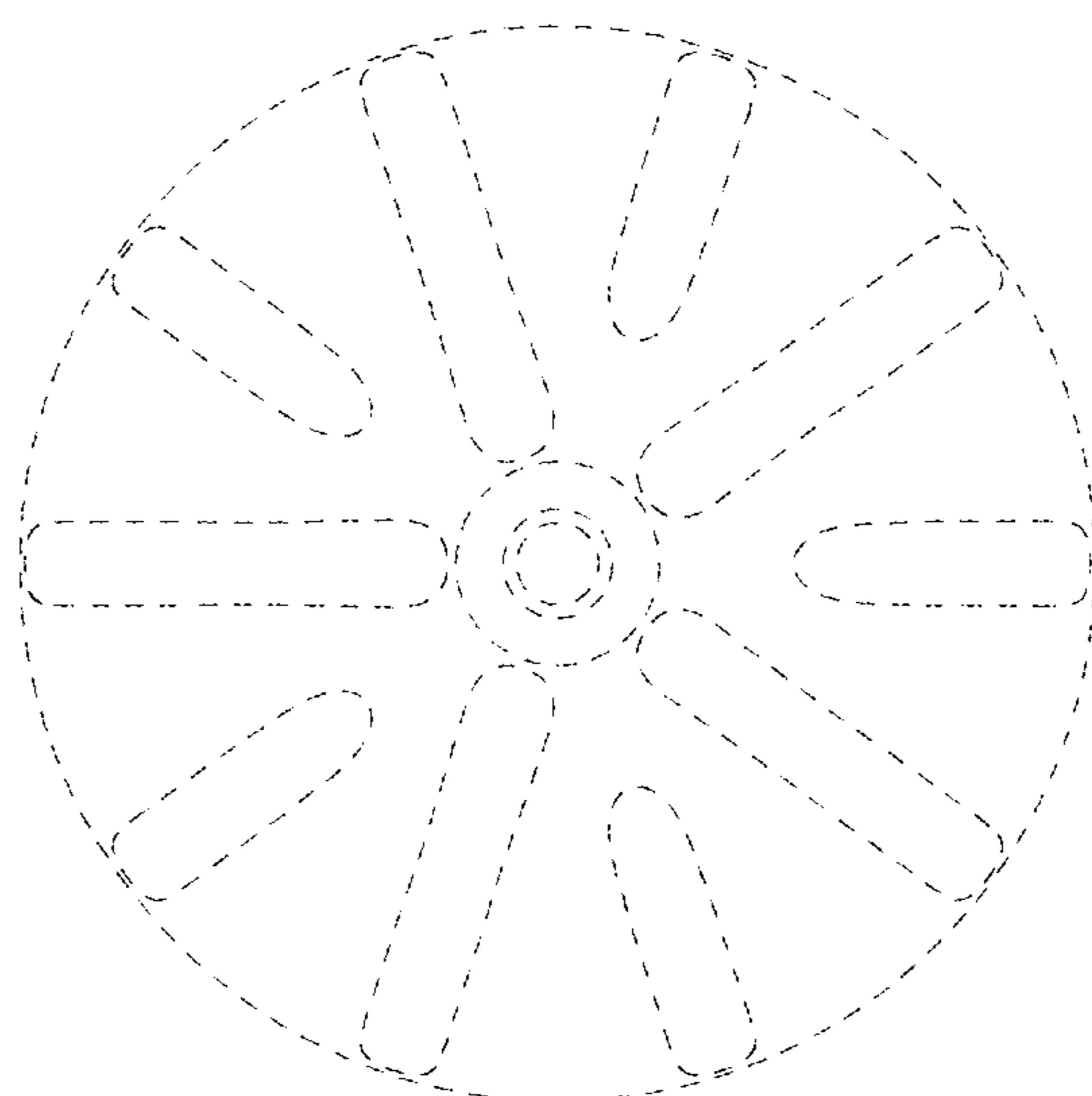


FIG. 8