



US00D829555S

(12) **United States Design Patent**
Kokubo

(10) **Patent No.:** **US D829,555 S**

(45) **Date of Patent:** **** Oct. 2, 2018**

(54) **CHILD-PROOF EYE DROP CONTAINER**

(71) Applicant: **Rohto Pharmaceutical Co., Ltd.**,
Osaka (JP)

(72) Inventor: **Shigehiko Kokubo**, Osaka (JP)

(73) Assignee: **Rohto Pharmaceutical Co., Ltd.**,
Osaka (JP)

(**) Term: **15 Years**

(21) Appl. No.: **29/581,602**

(22) Filed: **Oct. 20, 2016**

(30) **Foreign Application Priority Data**

Apr. 21, 2016 (JP) 2016-008866

(51) **LOC (11) Cl.** **09-01**

(52) **U.S. Cl.**
USPC **D9/529; D24/115**

(58) **Field of Classification Search**
USPC D24/110, 115, 116, 118, 121, 129, 120,
D24/127; D9/529, 435, 444, 558, 574,
D9/504, 516, 544, 549; 215/273, 283,
215/285, 329; 220/212
CPC A61F 9/0008; A61F 9/0026; A61F
2230/0091; A61F 2250/0004; B65D
47/18; A61H 35/02; A61M 35/003; A61M
35/00

See application file for complete search history.

(56) **References Cited**

U.S. PATENT DOCUMENTS

D336,614 S * 6/1993 Crawford D9/529
D357,867 S * 5/1995 Beier-Rosetti D9/523
D463,291 S * 9/2002 Kokubo D9/549
D463,984 S * 10/2002 Kokubo D9/549
D528,654 S * 9/2006 Nishibayashi D24/110
D544,956 S * 6/2007 Collins D24/110
D546,939 S * 7/2007 Collins D24/110

D546,940 S * 7/2007 Collins D24/110
D552,230 S * 10/2007 Collins D24/110
D552,231 S * 10/2007 Collins D24/110
D552,232 S * 10/2007 Collins D24/110
D552,730 S * 10/2007 Collins D24/110
D613,397 S * 4/2010 Nakao D24/110
D733,288 S * 6/2015 Althorpe D24/110

(Continued)

Primary Examiner — Cathron C Brooks

Assistant Examiner — Samantha Q. Lawrence

(74) *Attorney, Agent, or Firm* — Kenja IP Law PC

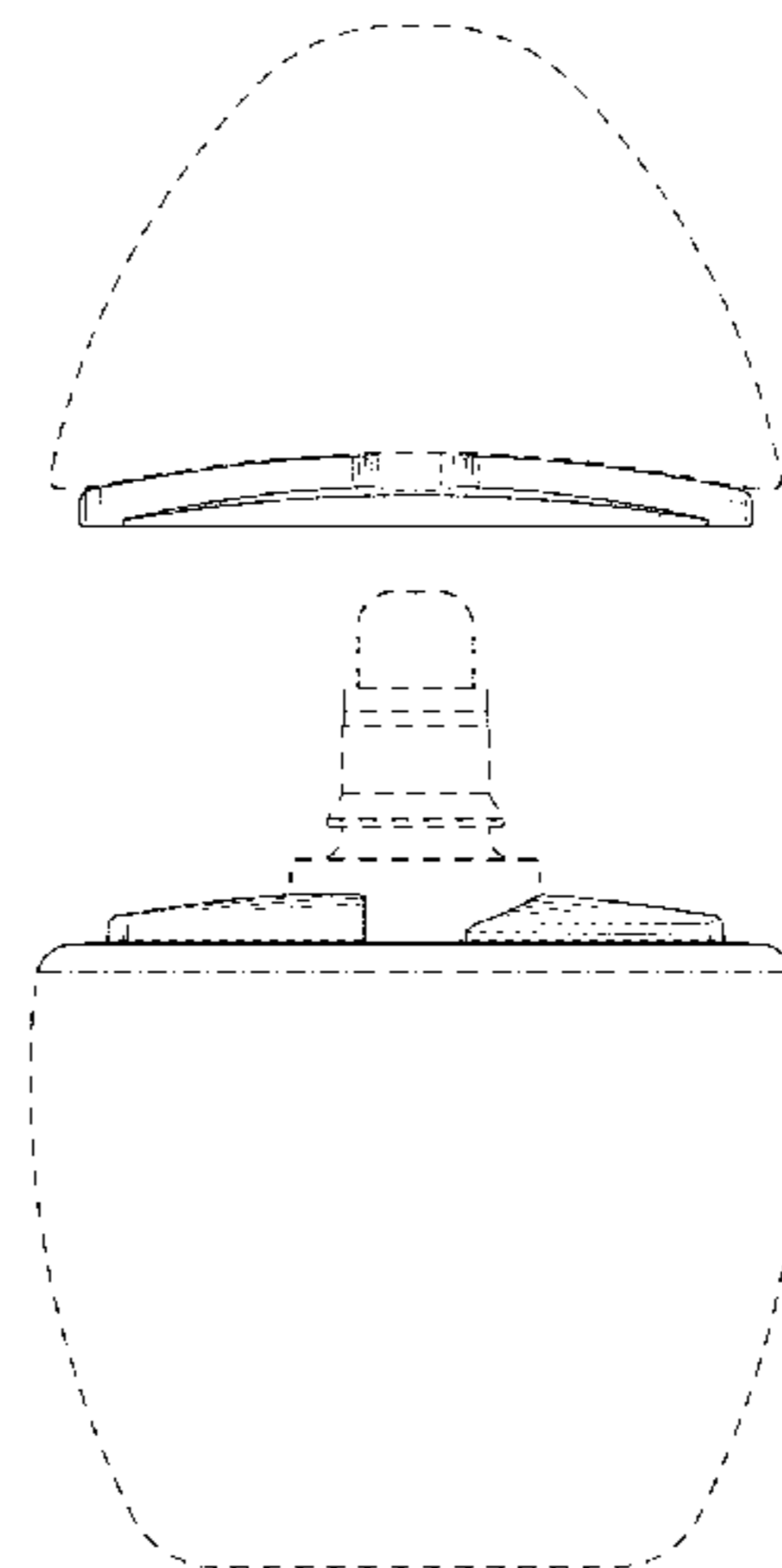
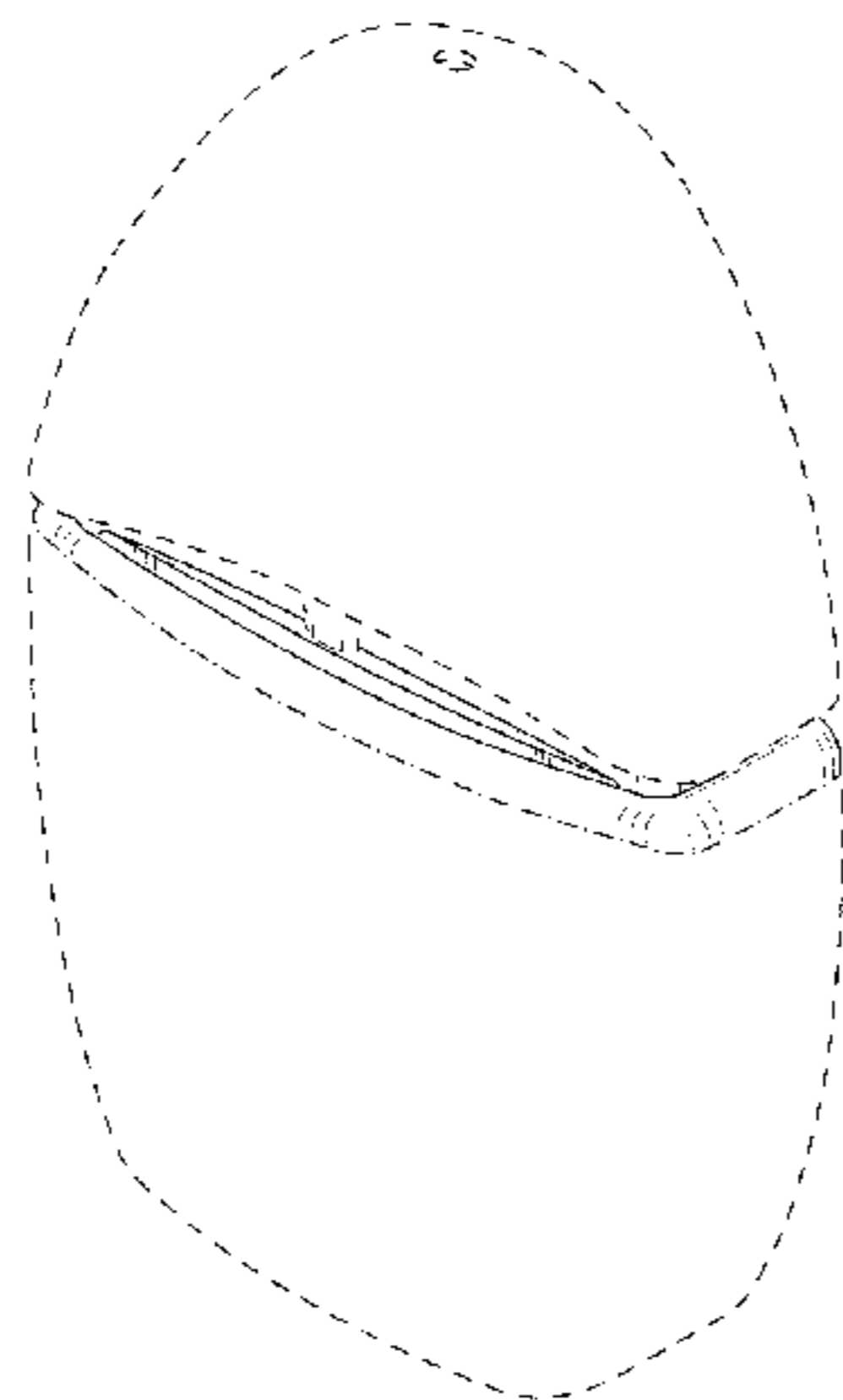
(57) **CLAIM**

The ornamental design for a child-proof eye drop container,
as shown and described.

DESCRIPTION

FIG. 1 is a front perspective view of a child-proof eye drop container showing my new design;
FIG. 2 is a front view thereof;
FIG. 3 is an exploded front view thereof, showing the body and the cap comprising the upper turnable component and the base component;
FIG. 4 is a top view thereof;
FIG. 5 is a bottom view thereof;
FIG. 6 is a right side view thereof;
FIG. 7 is a sectional view thereof taken along line 7-7 in FIG. 4;
FIG. 8 is a sectional view thereof taken along line 8-8 in FIG. 4; and,
FIG. 9 is a front perspective view thereof, showing the container in a closed state where the upper component of the cap is turned at an angle.
The broken lines shown in FIGS. 1-9 illustrate portions of the child-proof eye drop container that form no part of the claimed design. The dash-dot-dash lines directly adjacent to the claimed areas in FIGS. 1-4, 6, and 9 illustrate the boundaries of the claimed design and form no part of the claimed design.

1 Claim, 9 Drawing Sheets



(56)

References Cited

U.S. PATENT DOCUMENTS

2011/0024426 A1* 2/2011 Kokubo B65D 41/485
220/315
2011/0031207 A1* 2/2011 Kokubo A61F 9/0008
215/43

* cited by examiner

FIG. 1

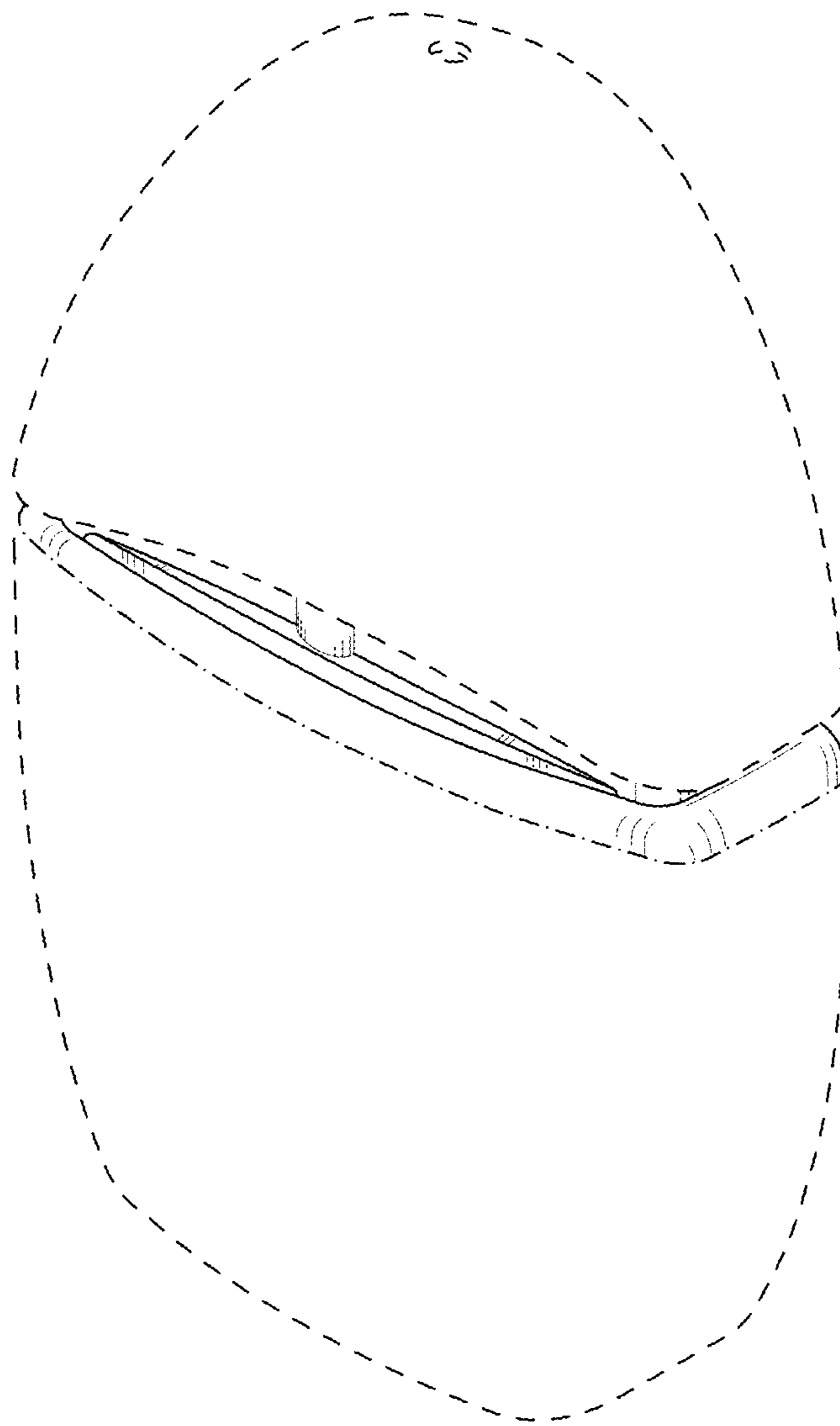


FIG. 2

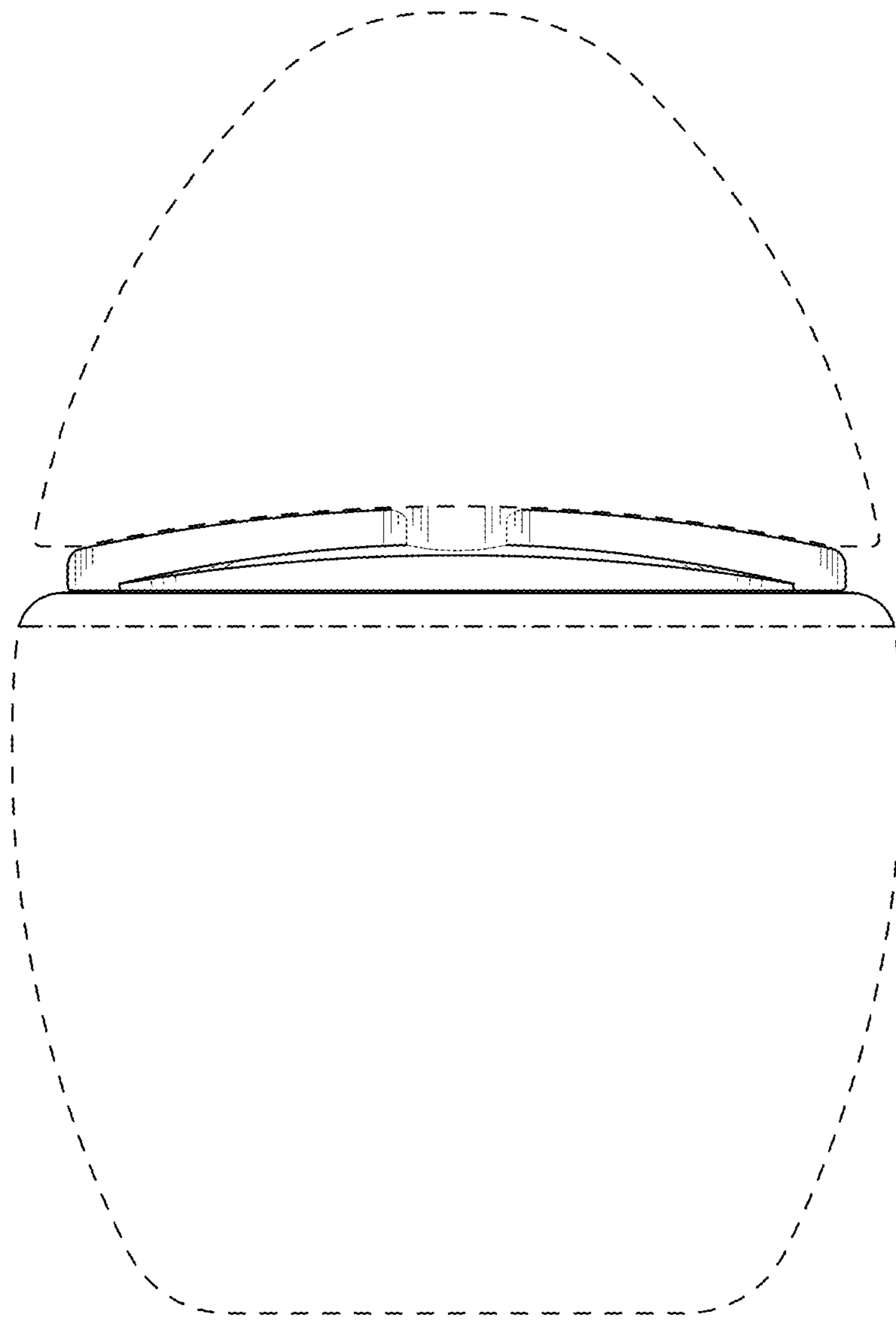


FIG. 3

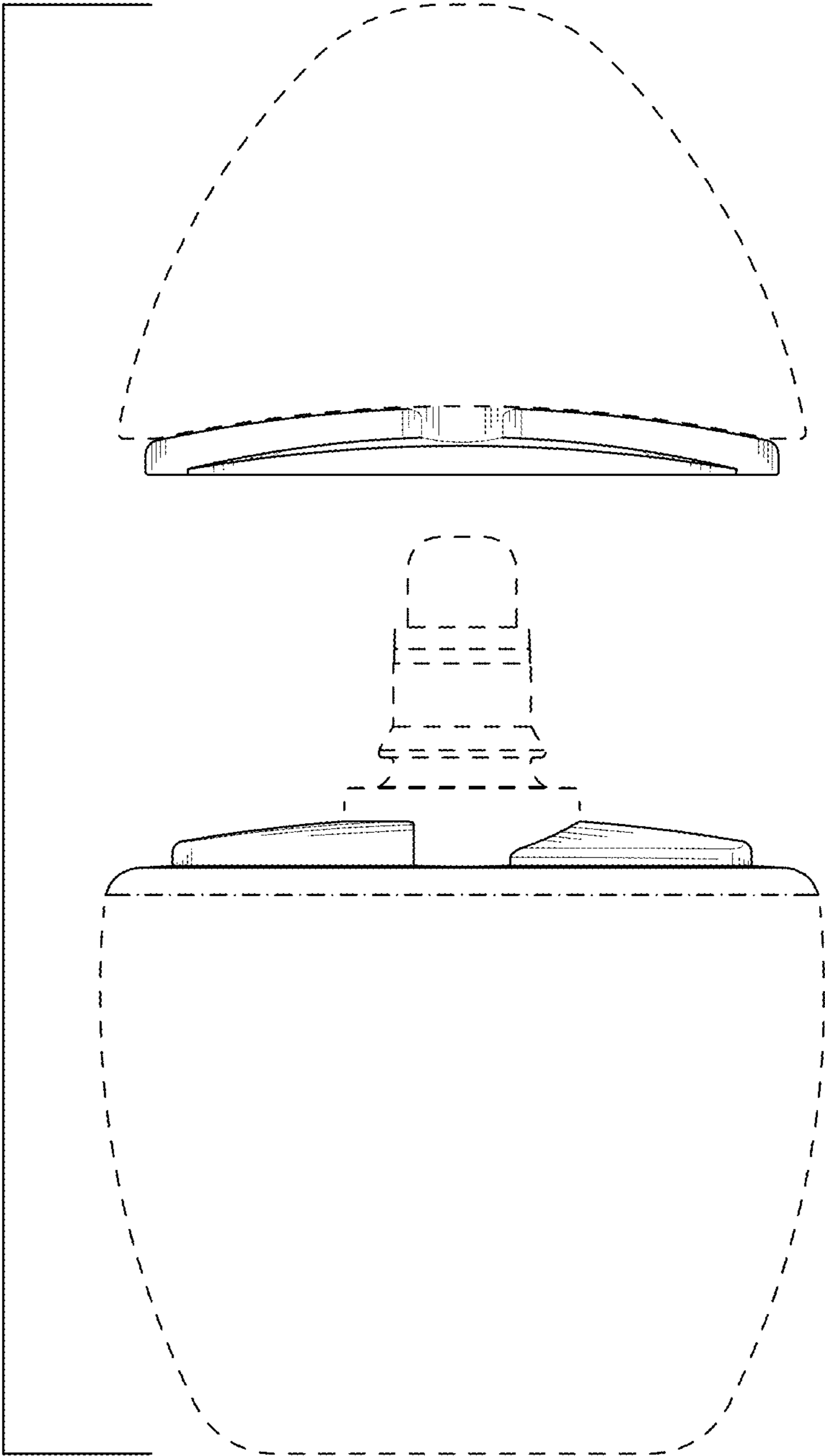


FIG. 4

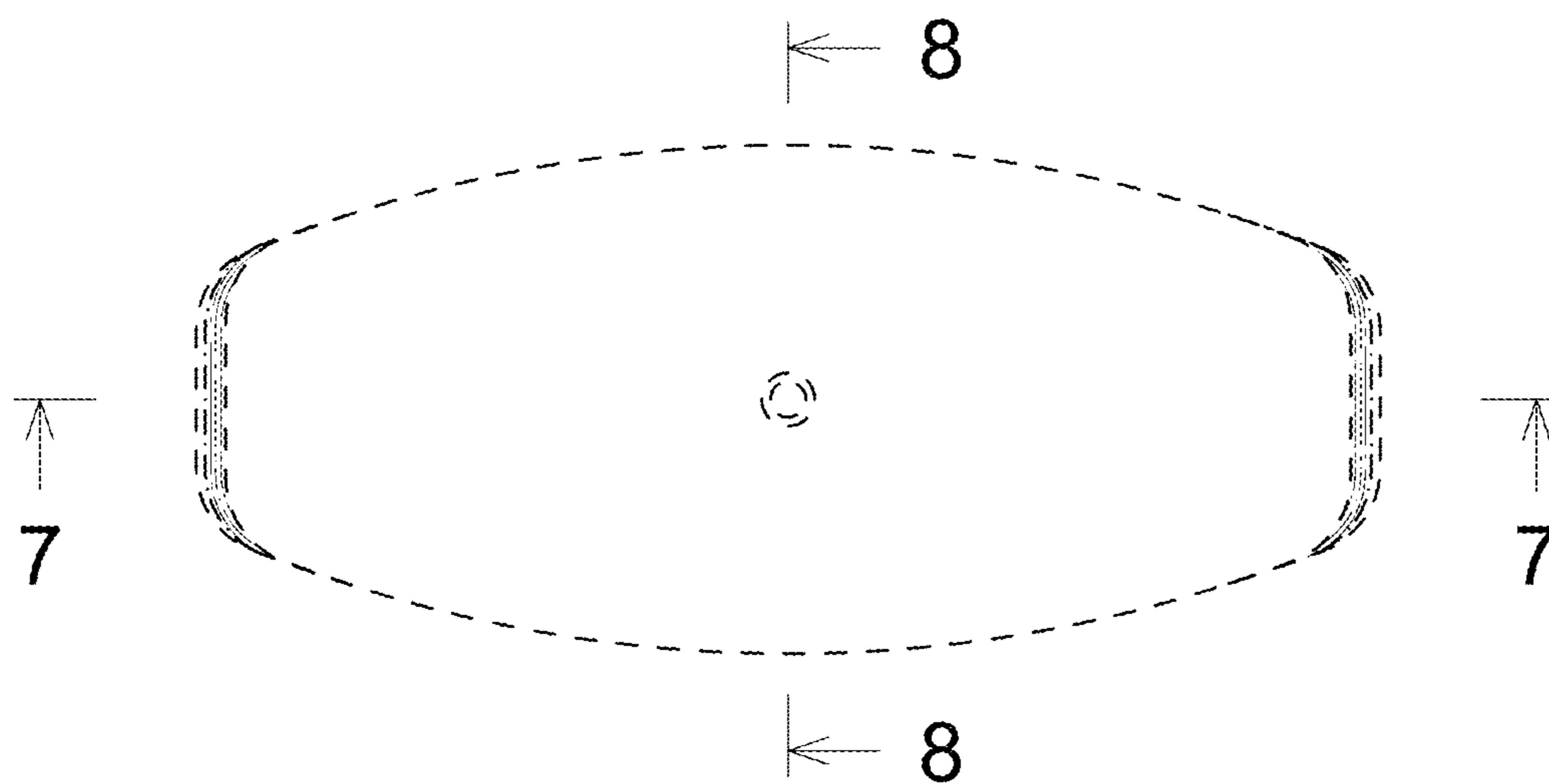


FIG. 5

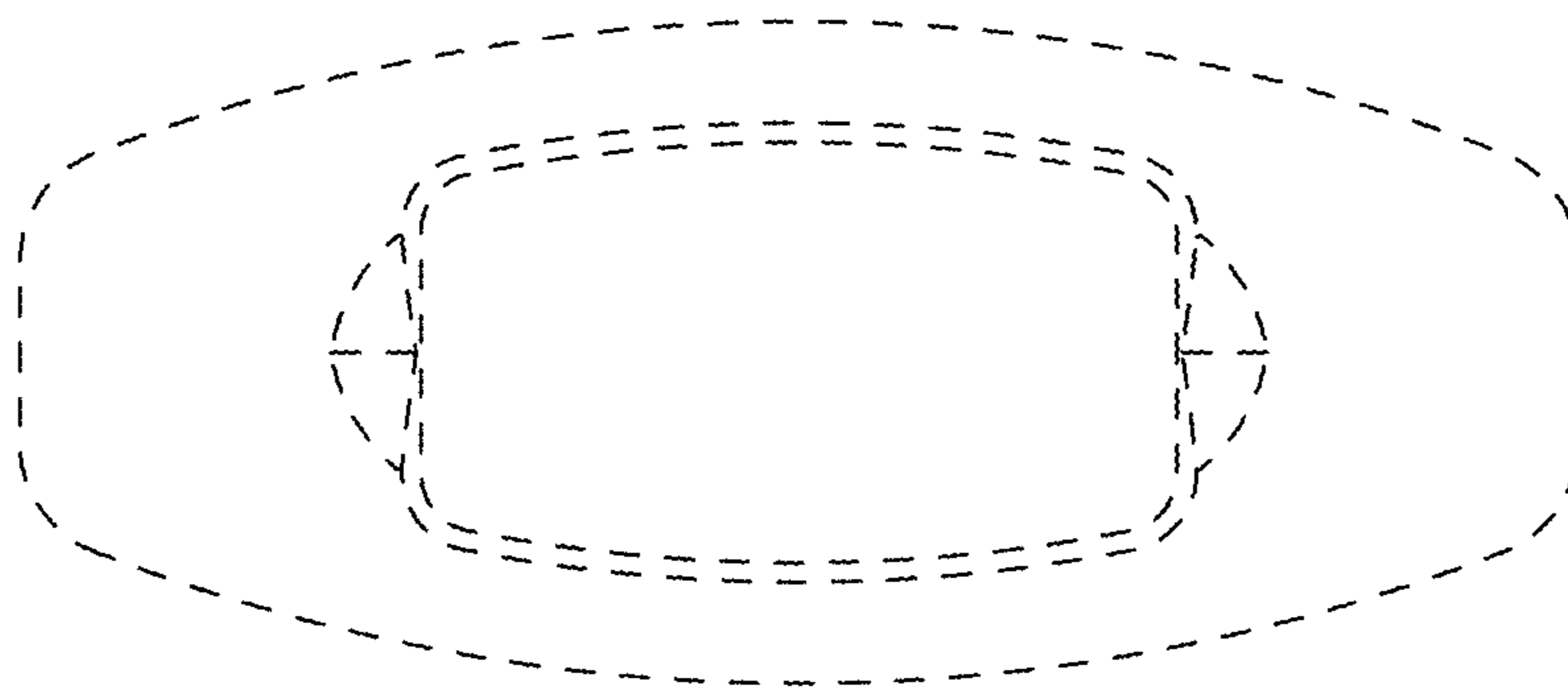


FIG. 6

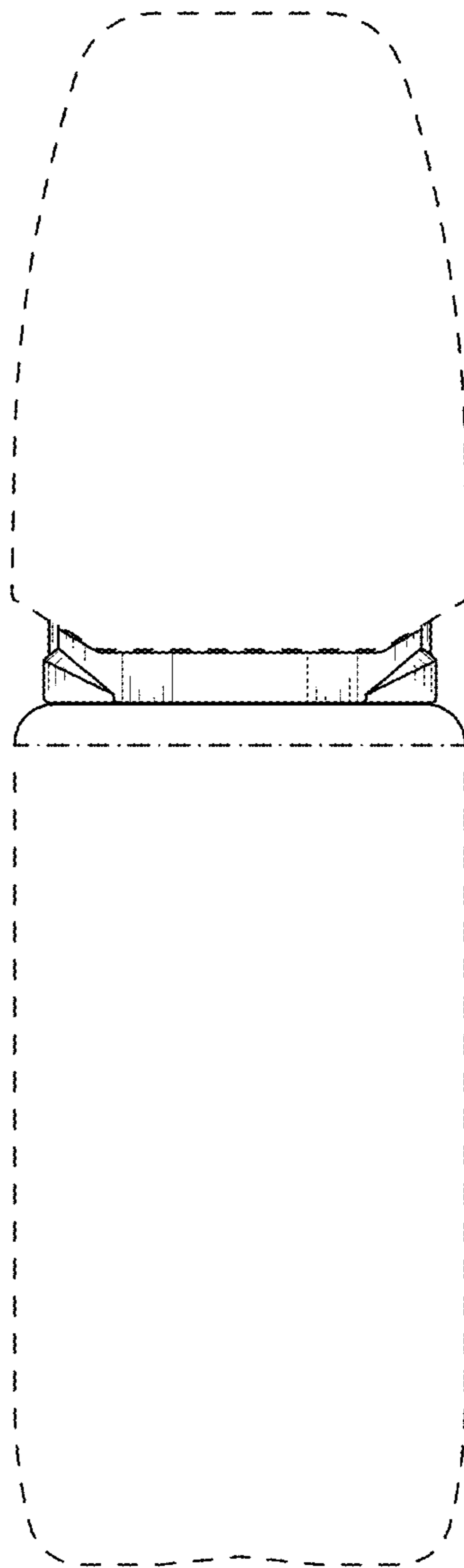


FIG. 7

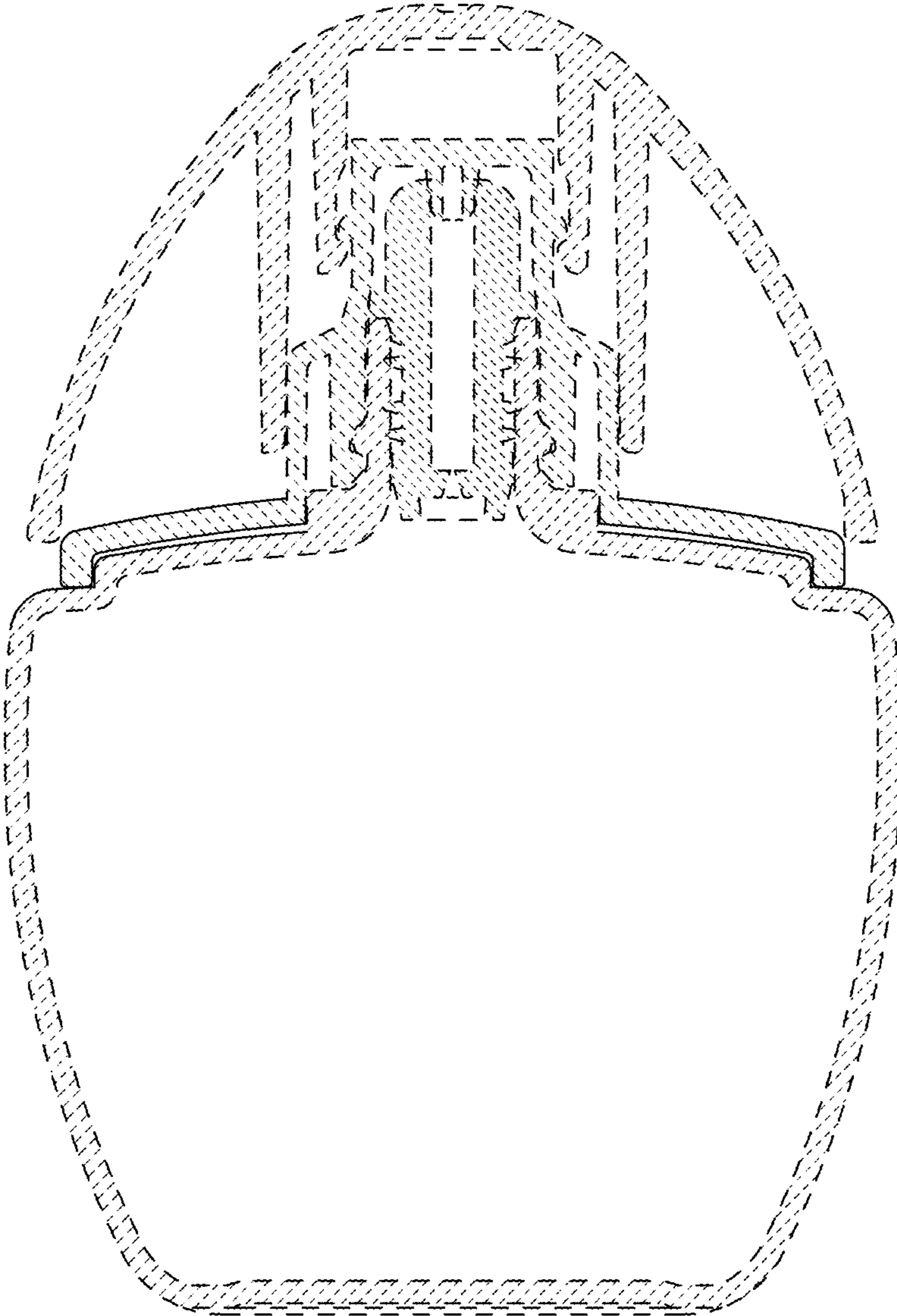


FIG. 8

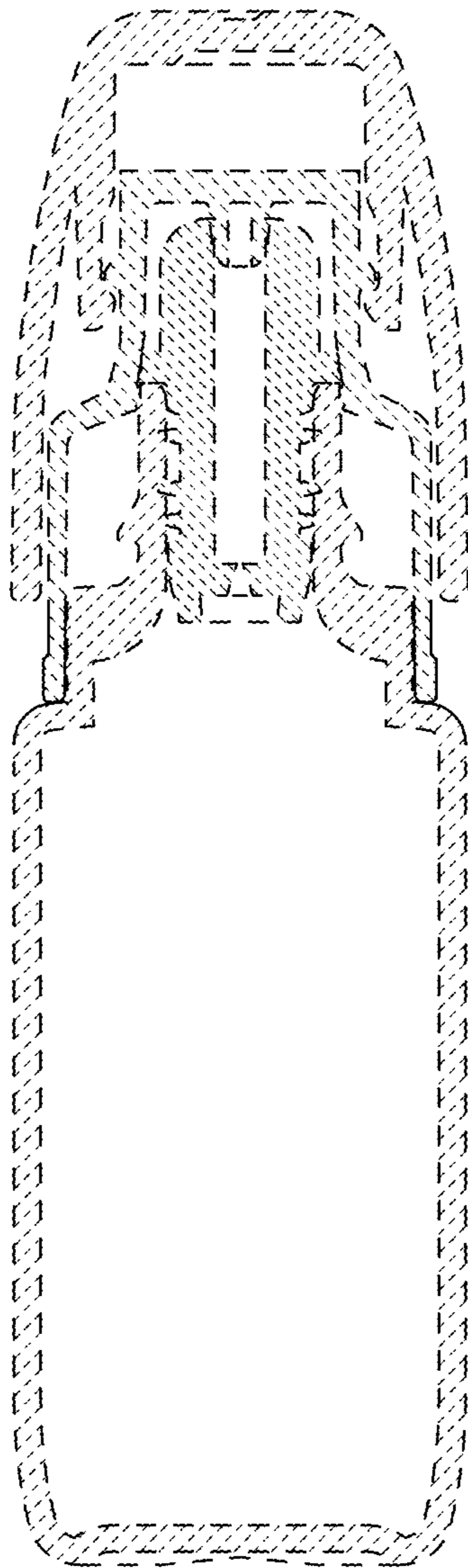


FIG. 9

