



US00D829554S

(12) **United States Design Patent**
Liston

(10) **Patent No.:** **US D829,554 S**

(45) **Date of Patent:** **** Oct. 2, 2018**

(54) **CONTAINER**

(71) Applicant: **CONTAINER LTD**, Hong Kong (HK)

(72) Inventor: **Brenan Liston**, Sydney (AU)

(73) Assignee: **CONTAINER LTD**, Hong Kong (HK)

(**) Term: **15 Years**

(21) Appl. No.: **29/538,421**

(22) Filed: **Sep. 3, 2015**

(51) **LOC (11) Cl.** **09-01**

(52) **U.S. Cl.**

USPC **D9/529**; D9/560; D9/573

(58) **Field of Classification Search**

USPC D9/434, 435, 436, 449, 516, 529, 549,
D9/559, 560, 572, 573, 574, 715; D28/4,
D28/8, 73, 76, 83, 91; D3/202

CPC B65D 83/205; B65D 83/384; B65D 83/75;
B65D 2543/00092

See application file for complete search history.

(56) **References Cited**

U.S. PATENT DOCUMENTS

D241,013 S *	8/1976	Dekker	D9/529
D540,688 S *	4/2007	Lascaux	D9/560
D540,689 S *	4/2007	Dorfmueller	D9/560
D577,292 S *	9/2008	Moretti	D9/560
D579,784 S *	11/2008	Varlet	D9/544
D604,630 S *	11/2009	Canamasas Puigbo	D9/560
D639,669 S *	6/2011	Adler	D9/435
D644,108 S *	8/2011	Vila Calvo	D9/529
D654,799 S *	2/2012	Liu	D9/560

D668,143 S *	10/2012	Akana	D14/496
D686,065 S *	7/2013	Kuo	D9/432
D689,774 S *	9/2013	Ford	D9/544
D709,652 S *	7/2014	Teller	D28/83
D717,176 S *	11/2014	Gomez	D9/544
D734,550 S *	7/2015	Schlatter	D28/83
D764,799 S *	8/2016	Ball	D3/302
D764,910 S *	8/2016	Akana	D9/432
D777,037 S *	1/2017	Serafin	D9/435

* cited by examiner

Primary Examiner — Ian Simmons

Assistant Examiner — Keith Frank

(74) *Attorney, Agent, or Firm* — Ladas & Parry LLP

(57) **CLAIM**

I claim the ornamental design for a container, as show and described.

DESCRIPTION

FIG. 1 is a top plan view of a container, showing my new design;

FIG. 2 is a front elevational view thereof;

FIG. 3 is a bottom plan view thereof;

FIG. 4 is a right-side elevational view thereof;

FIG. 5 is right-side elevational view thereof;

FIG. 6 is a top isometric view thereof;

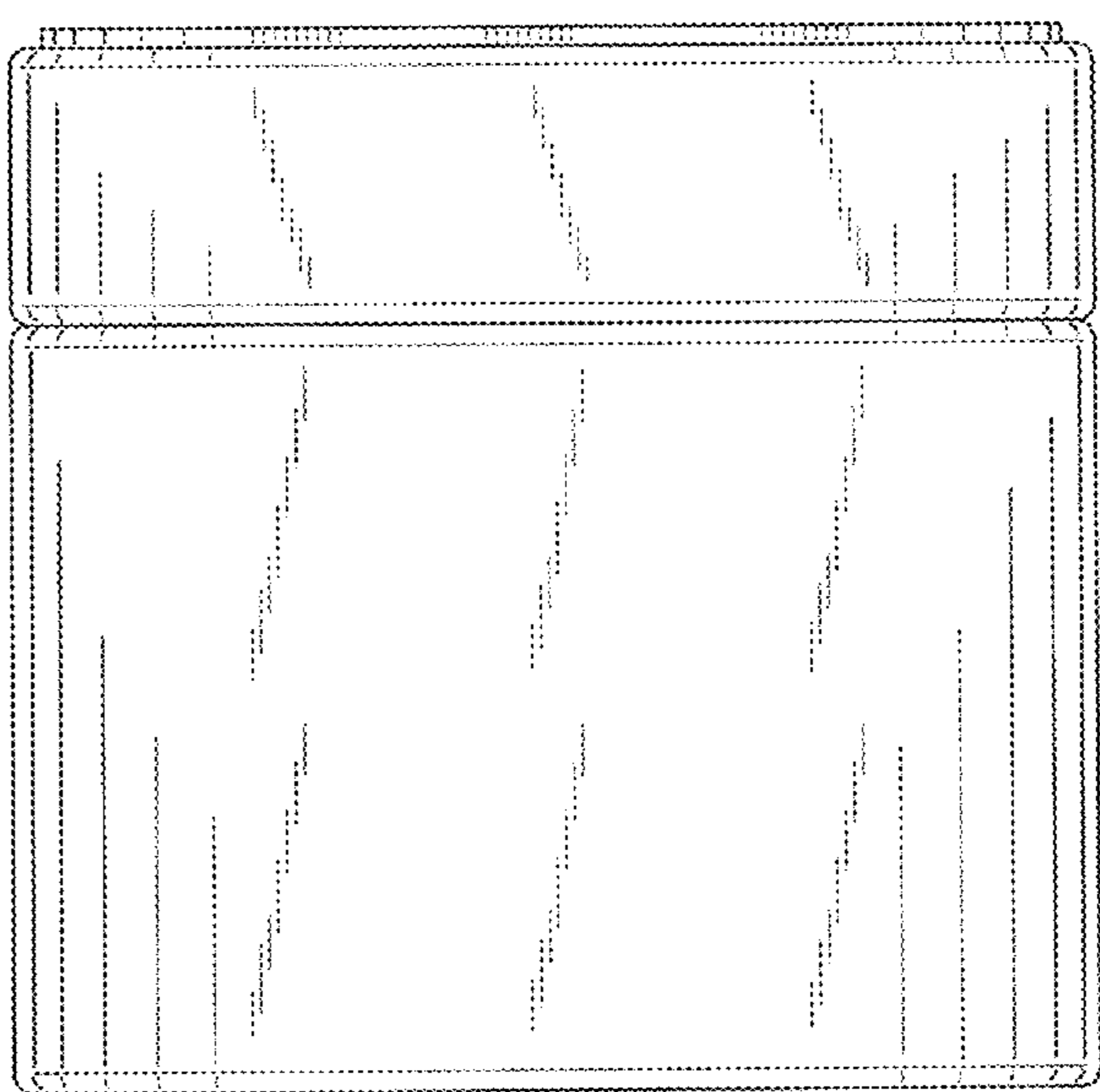
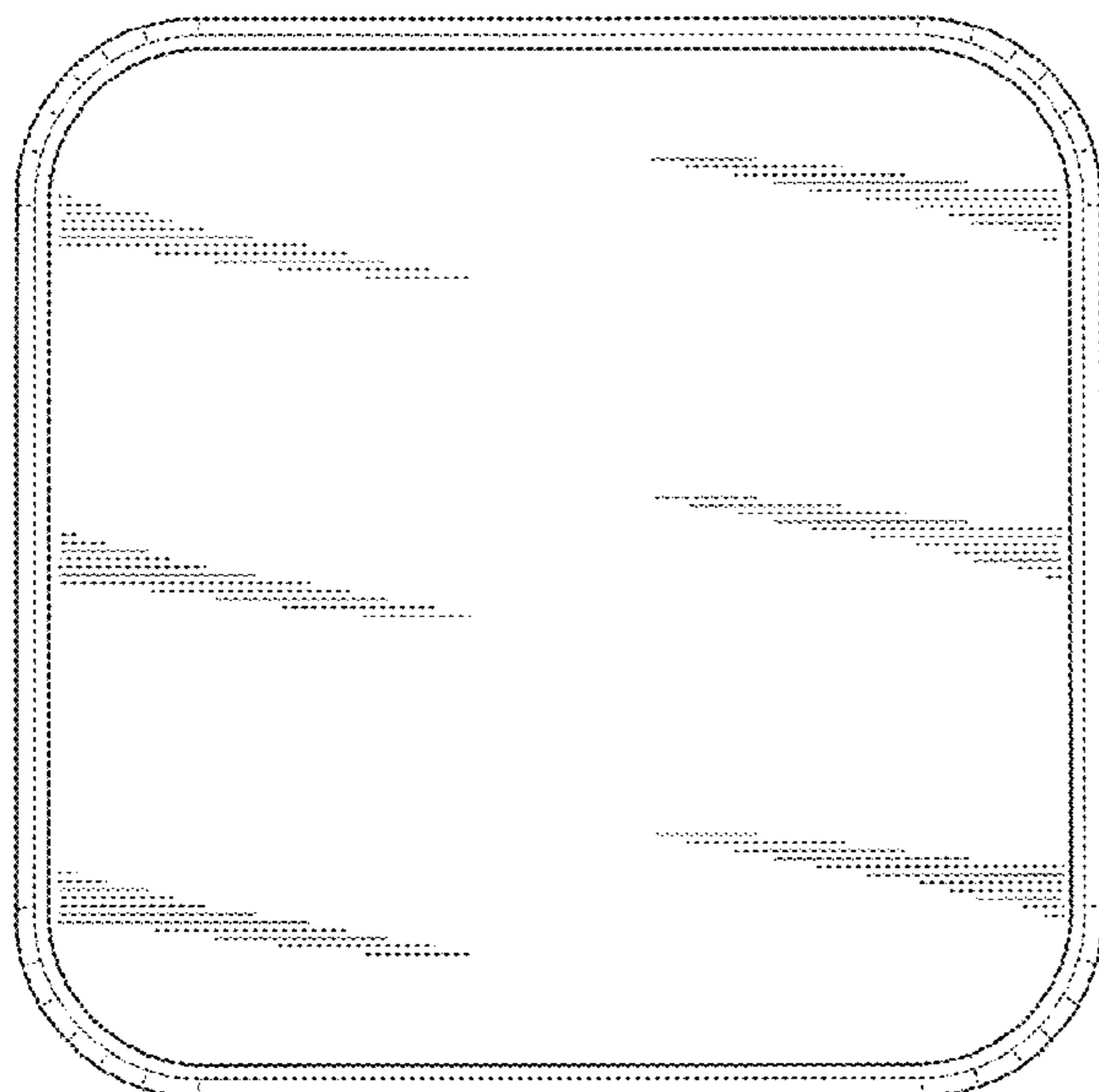
FIG. 7 is a bottom isometric view thereof;

FIG. 8 is an exploded front elevation view showing the lid and container separated thereof; and,

FIG. 9 is an exploded top isometric view showing the lid and container separated thereof.

Broken lines in FIG. 9 depict features of the container that form no part of the claimed design.

1 Claim, 9 Drawing Sheets



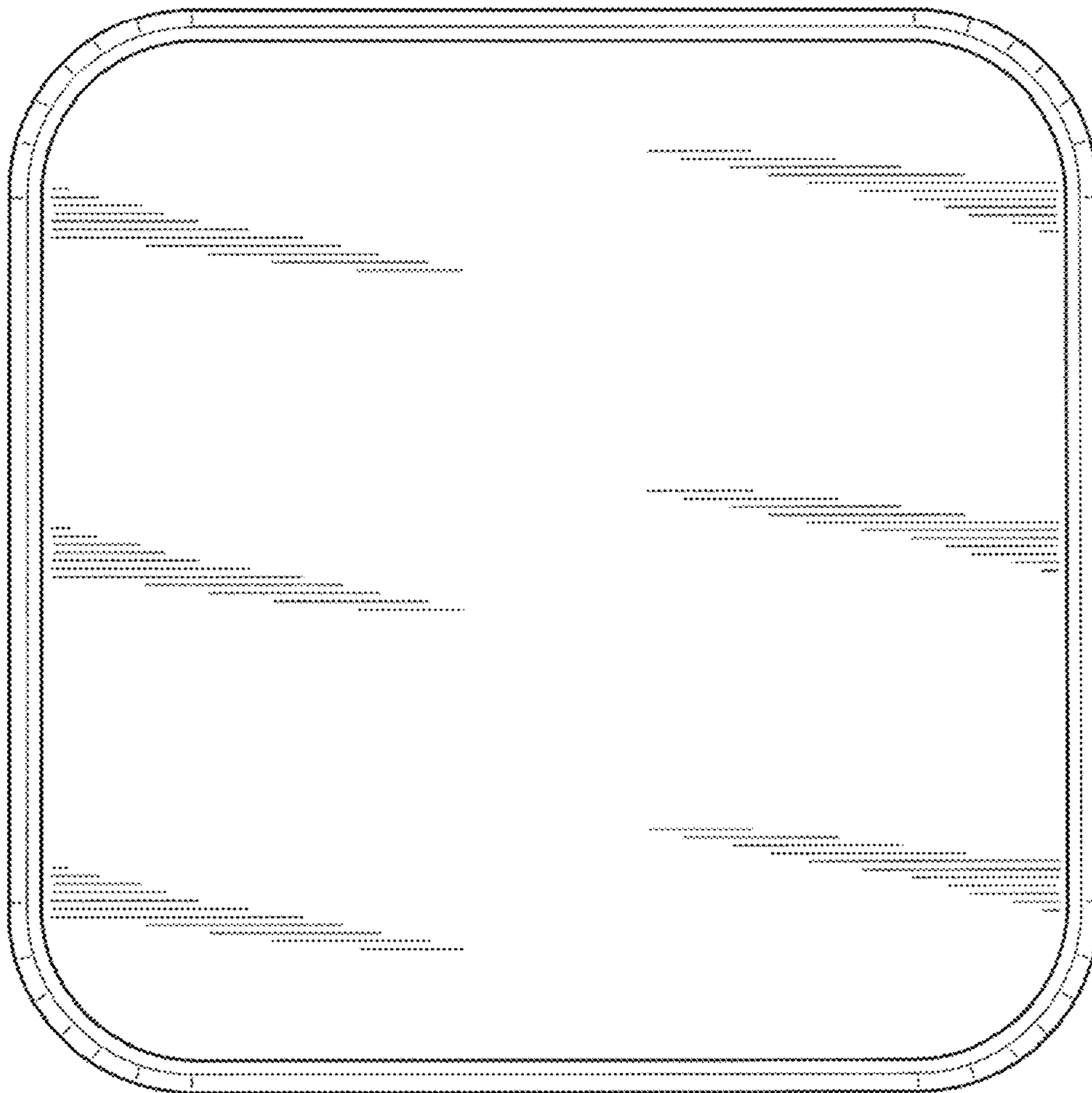


FIG. 1

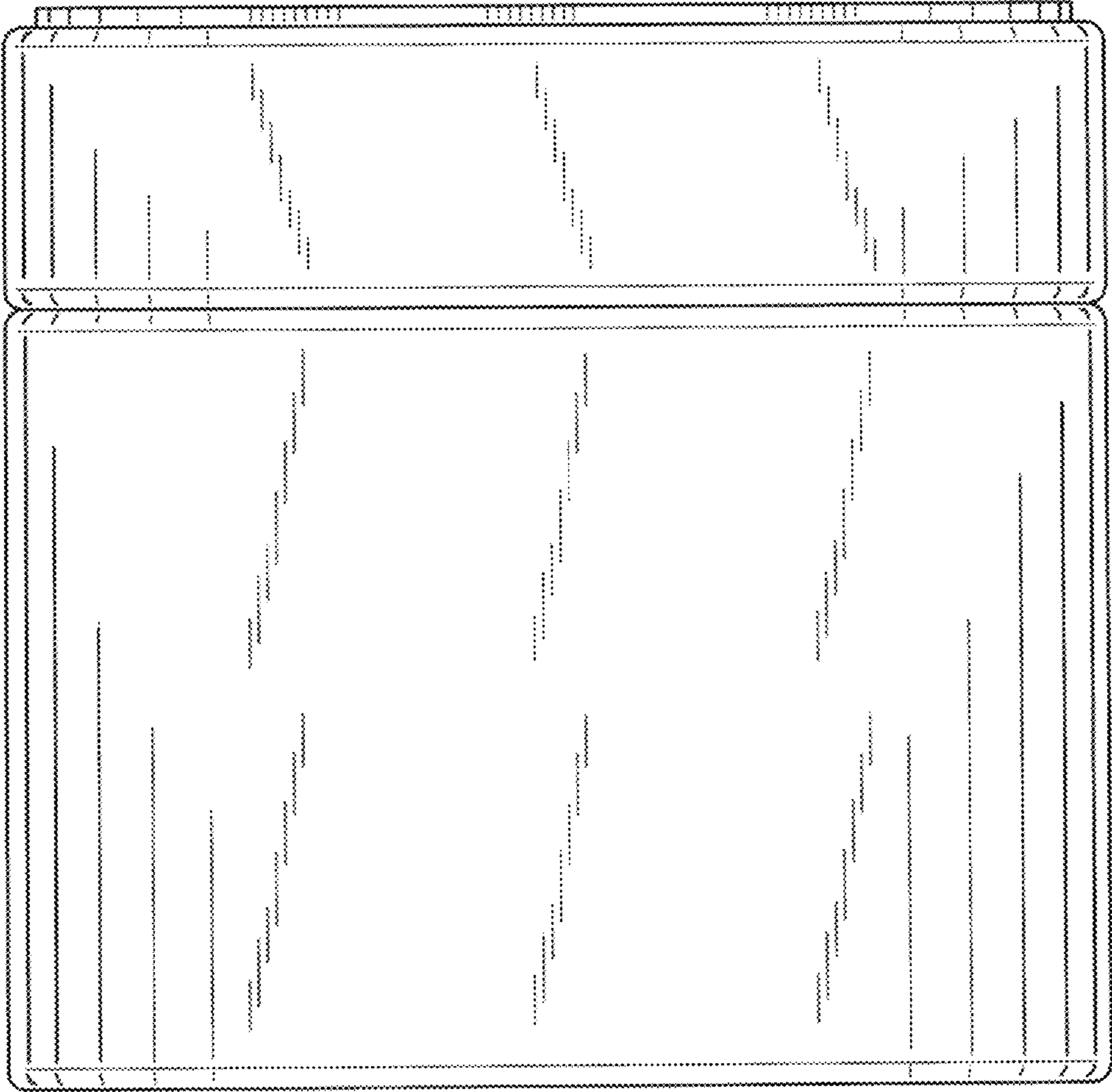


FIG. 2

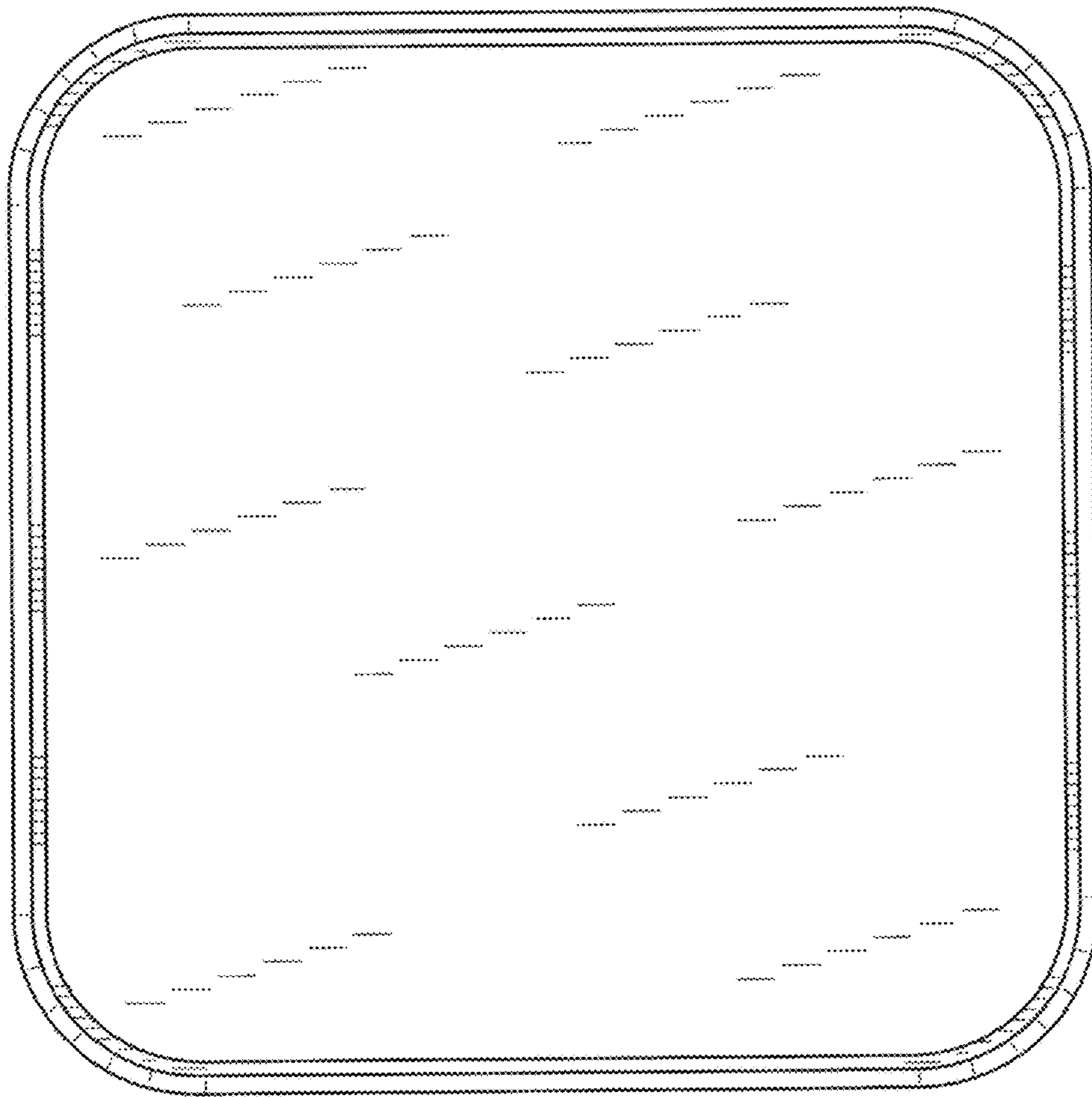


FIG. 3

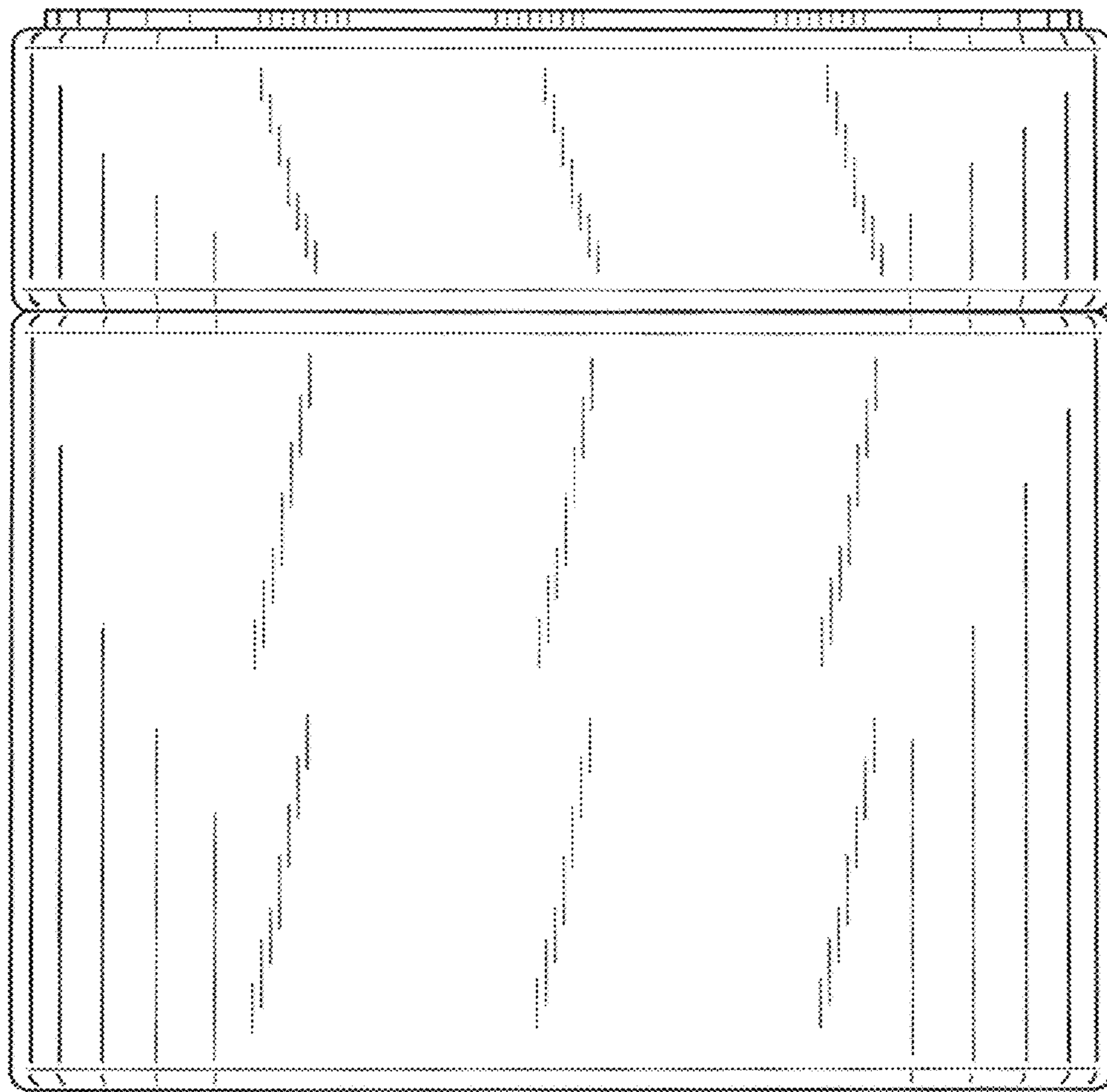


FIG. 4

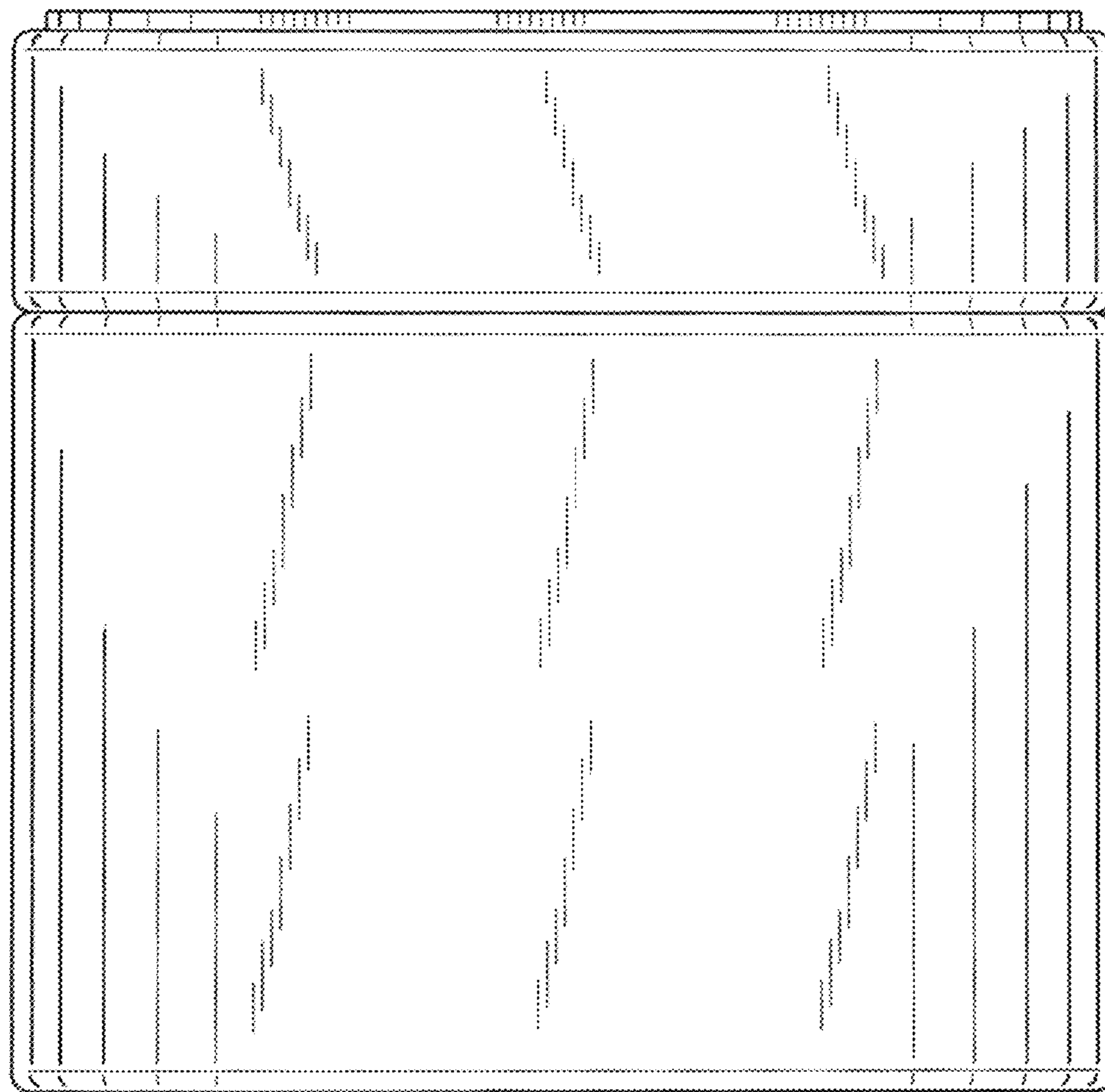


FIG. 5

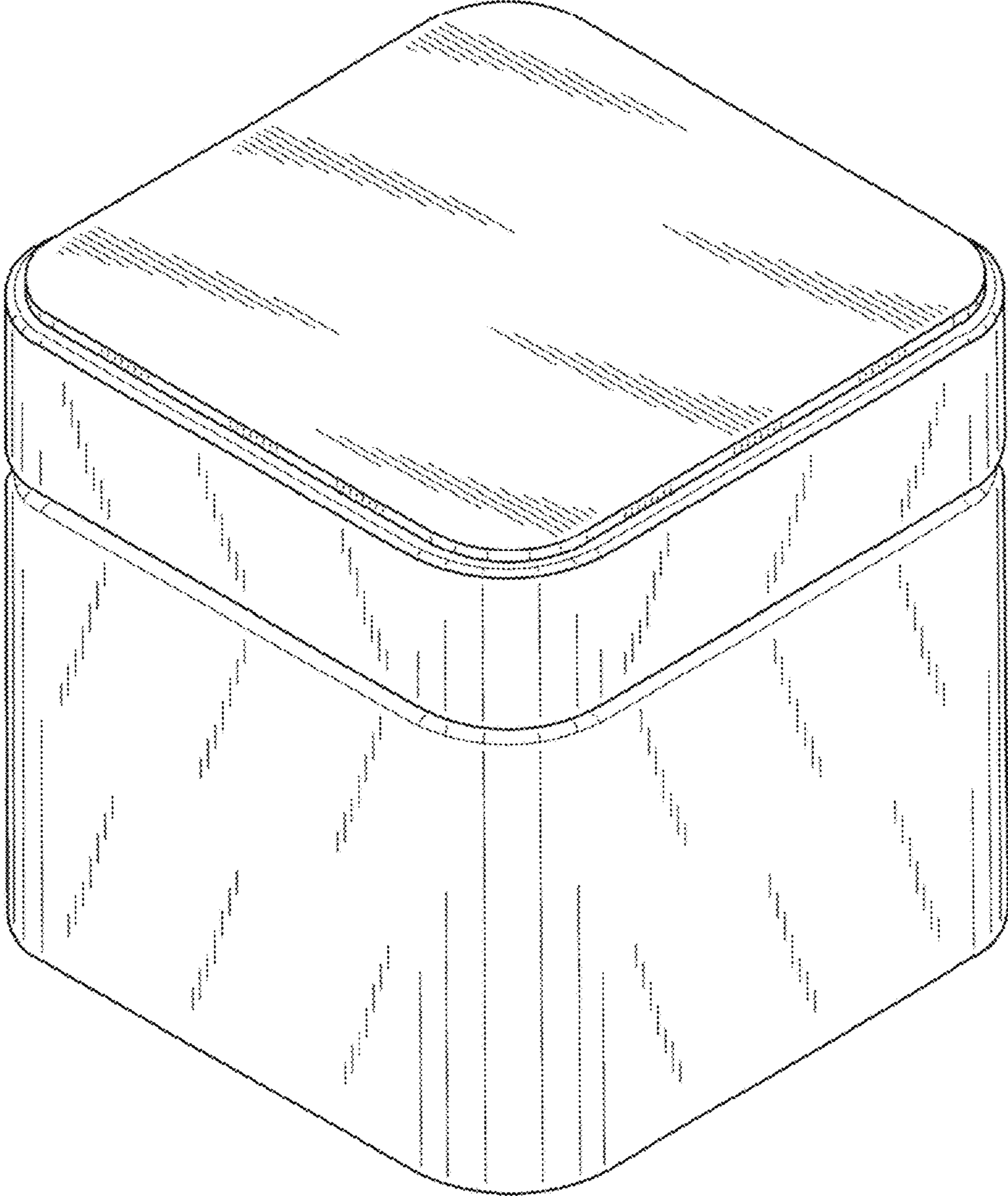


FIG. 6

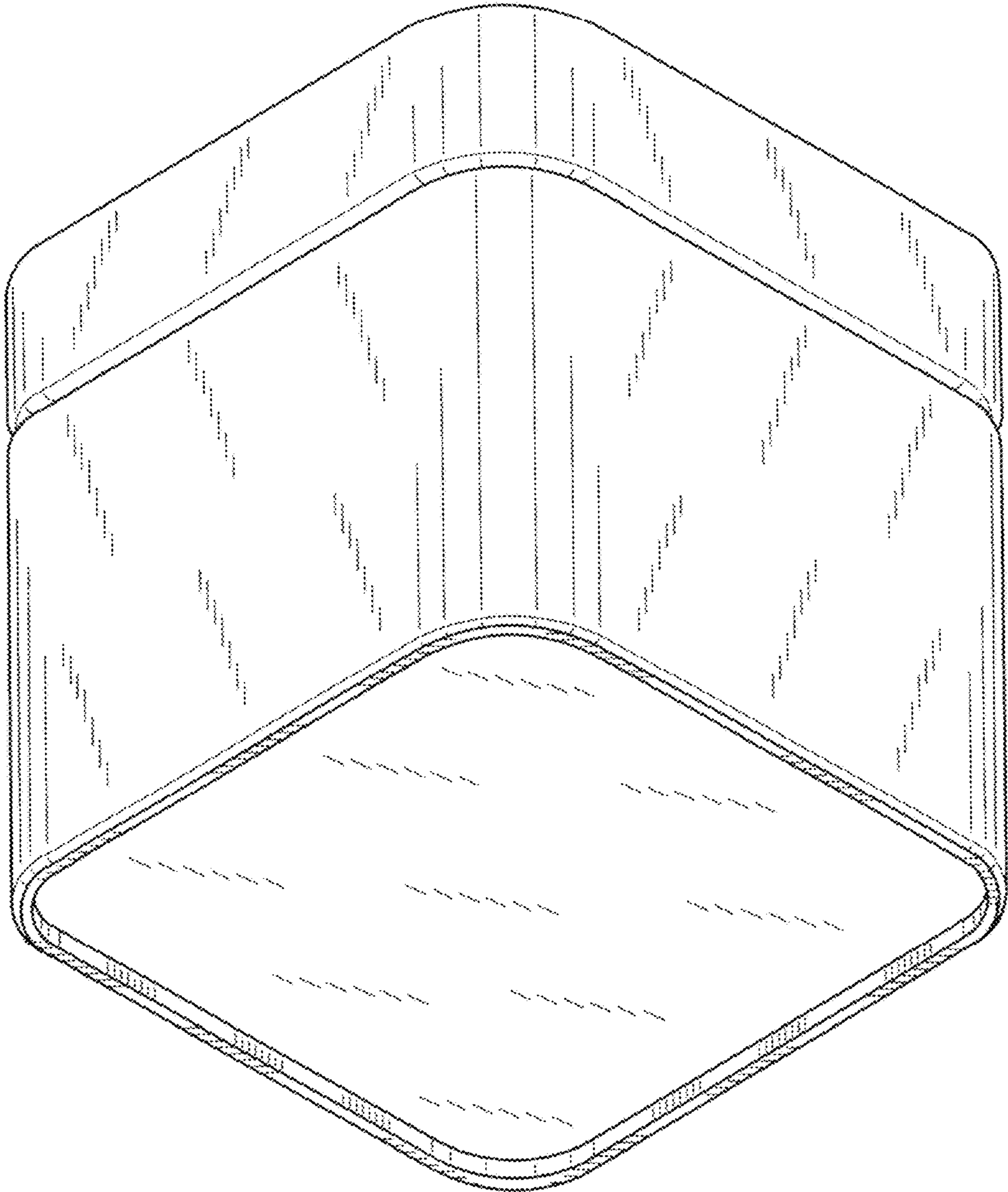


FIG. 7

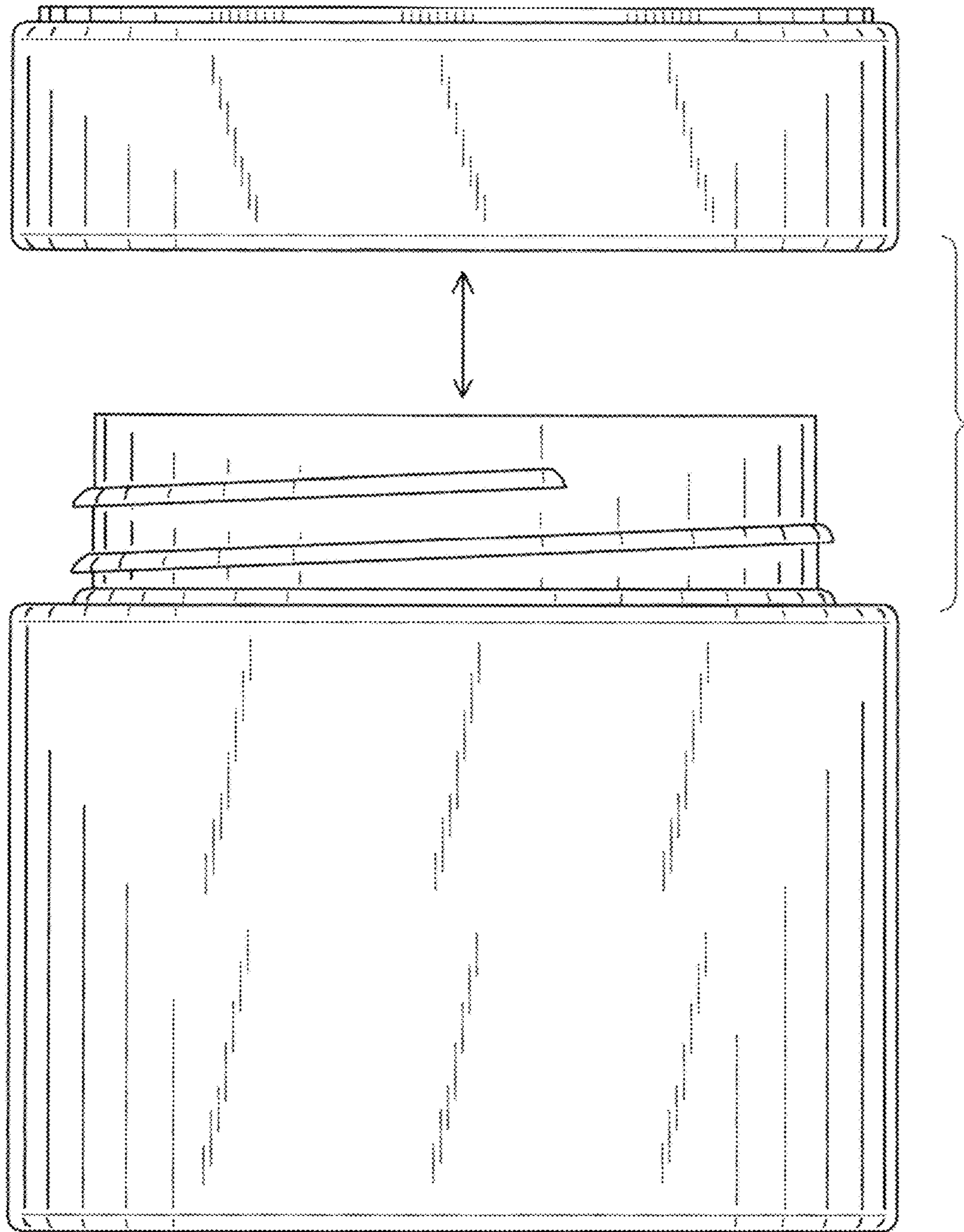


FIG. 8

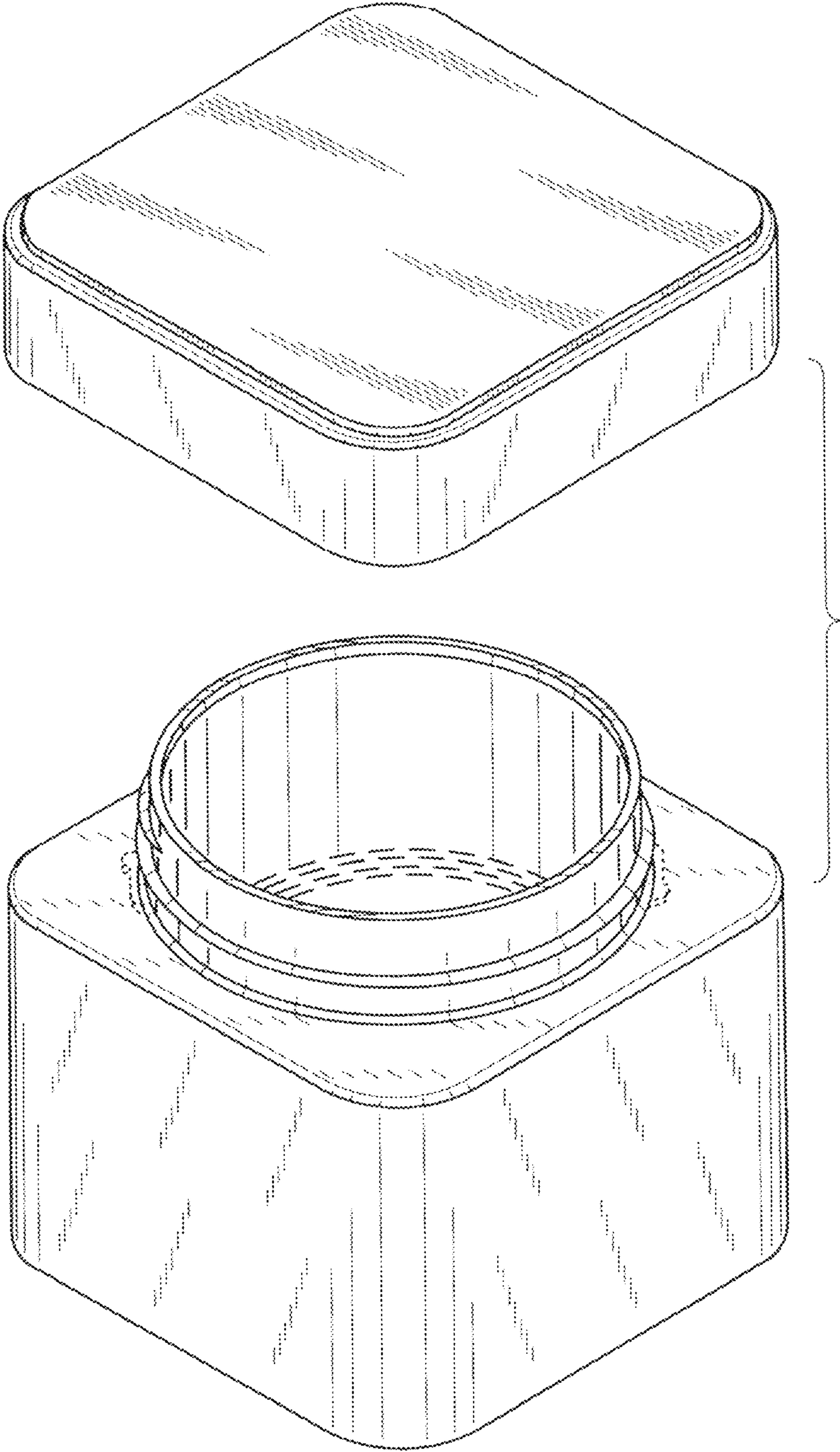


FIG. 9