



US00D829553S

(12) **United States Design Patent** (10) **Patent No.:** **US D829,553 S**  
**Christopoulos et al.** (45) **Date of Patent:** **\*\* Oct. 2, 2018**

(54) **CONTAINER**

(71) Applicant: **MIDEAS, LLC**, Costa Mesa, CA (US)

(72) Inventors: **James Christopoulos**, Tustin, CA (US);  
**Fernando Pardo**, Moorpark, CA (US);  
**Etienne Iliffe-Moon**, Sherman Oaks,  
CA (US); **Praveen Penmetsa**, Torrance,  
CA (US); **Matthew O'Brien**, Hermosa  
Beach, CA (US)

(73) Assignee: **MIDEAS, LLC**, Costa Mesa, CA (US)

(\*\*) Term: **15 Years**

(21) Appl. No.: **29/627,395**

(22) Filed: **Nov. 27, 2017**

**Related U.S. Application Data**

(63) Continuation of application No. 29/564,425, filed on May 12, 2016, now Pat. No. Des. 803,688, which is a continuation of application No. 29/500,020, filed on Aug. 20, 2014, now Pat. No. Des. 756,783, which is a continuation-in-part of application No. 14/272,327, filed on May 7, 2014, now Pat. No. 9,365,334, which is a continuation-in-part of application No. 13/669,363, filed on Nov. 5, 2012, now Pat. No. 8,939,311.

(51) **LOC (11) Cl.** ..... **09-01**

(52) **U.S. Cl.**  
USPC ..... **D9/503**

(58) **Field of Classification Search**  
USPC ..... D9/414, 428, 434, 435, 454, 500, 502,  
D9/503, 505, 516, 530, 537, 539, 549,  
D9/557, 558, 715, 716, 730, 734, 737,  
D9/738, 745, 763, 772, 776-780;  
D7/300, 300.1, 505, 601, 602, 608, 624.2,  
D7/629, 630; D11/152-154  
CPC ... B65D 1/00; B65D 1/02; B65D 1/10; B65D  
1/0223; B65D 1/243; B65D 23/00; B65D  
81/00; B65D 2501/00; B65D 2501/0009  
See application file for complete search history.

(56) **References Cited**

U.S. PATENT DOCUMENTS

D645,748	S	*	9/2011	Sharma	.....	D7/629
D678,650	S	*	3/2013	Giles	.....	D34/39
D693,687	S	*	11/2013	Karay	.....	D7/540
D699,571	S	*	2/2014	Zomorodi	.....	D9/435
8,939,312	B1	*	1/2015	Buck	.....	A47G 19/065 220/212
D734,096	S	*	7/2015	George	.....	D7/509
D744,281	S	*	12/2015	Dunn	.....	A47G 19/2272 D7/510
D756,787	S	*	5/2016	Marchant	.....	D9/503
D760,542	S	*	7/2016	Vu	.....	D7/510
D761,609	S	*	7/2016	Gamelli	.....	D7/300.1
D797,510	S	*	9/2017	Ke	.....	D7/510
D808,218	S	*	1/2018	Seiders	.....	D7/510
D813,605	S	*	3/2018	Seiders	.....	D7/532

(Continued)

*Primary Examiner* — Ian Simmons

*Assistant Examiner* — Keith Frank

(74) *Attorney, Agent, or Firm* — Jeffer Mangels Butler & Mitchell LLP; Brennan C. Swain, Esq.

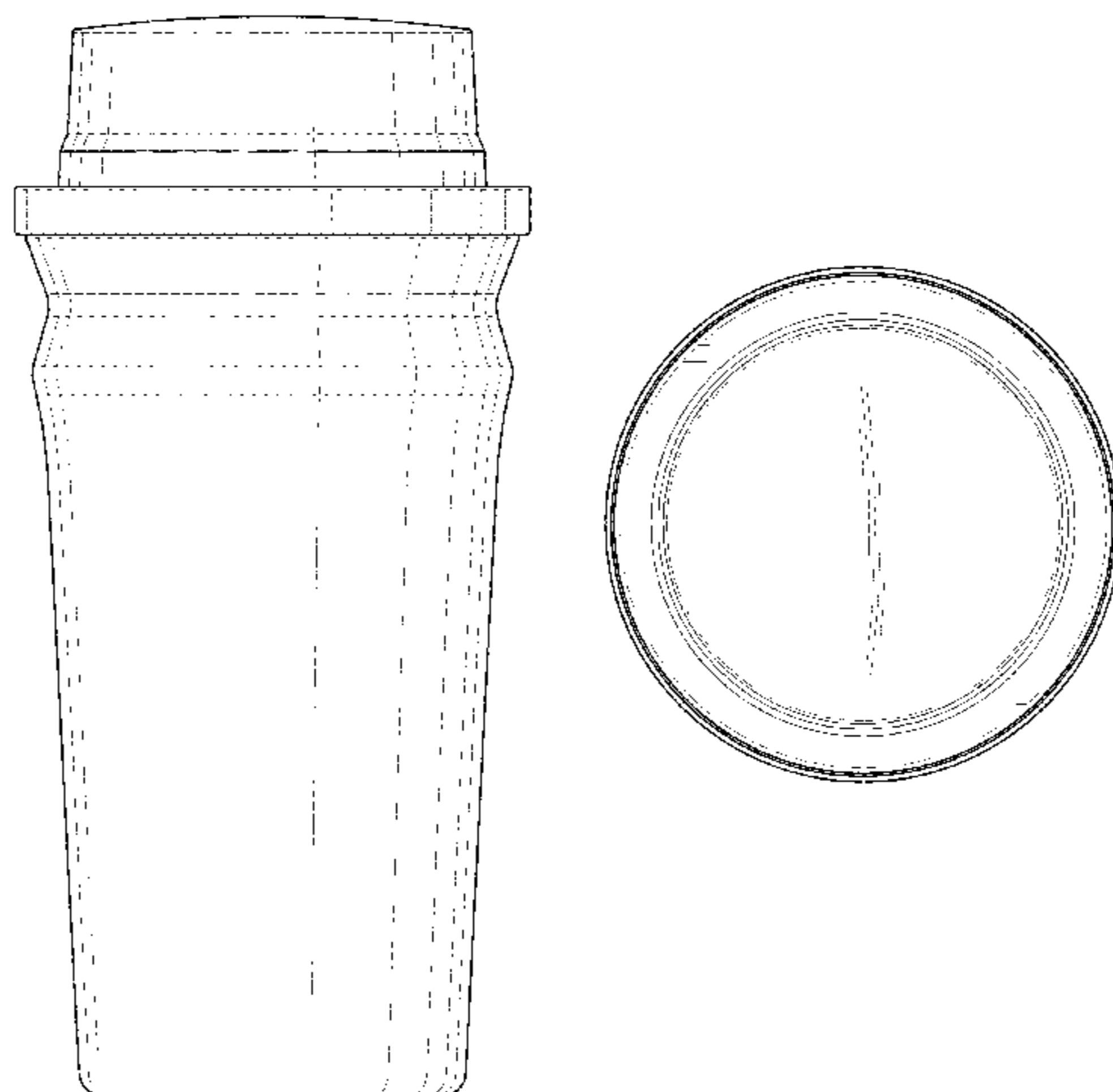
(57) **CLAIM**

The ornamental design for a container, as shown and described.

**DESCRIPTION**

FIG. 1 is a perspective view of the present invention; FIG. 2 is a front elevational view thereof, the right side, left side and rear elevational views being a mirror image; FIG. 3 is a top plan view thereof; and, FIG. 4 is a bottom plan view thereof. The broken lines in the drawings showing the container illustrate the portions of the container that form no part of the claimed design.

**1 Claim, 3 Drawing Sheets**



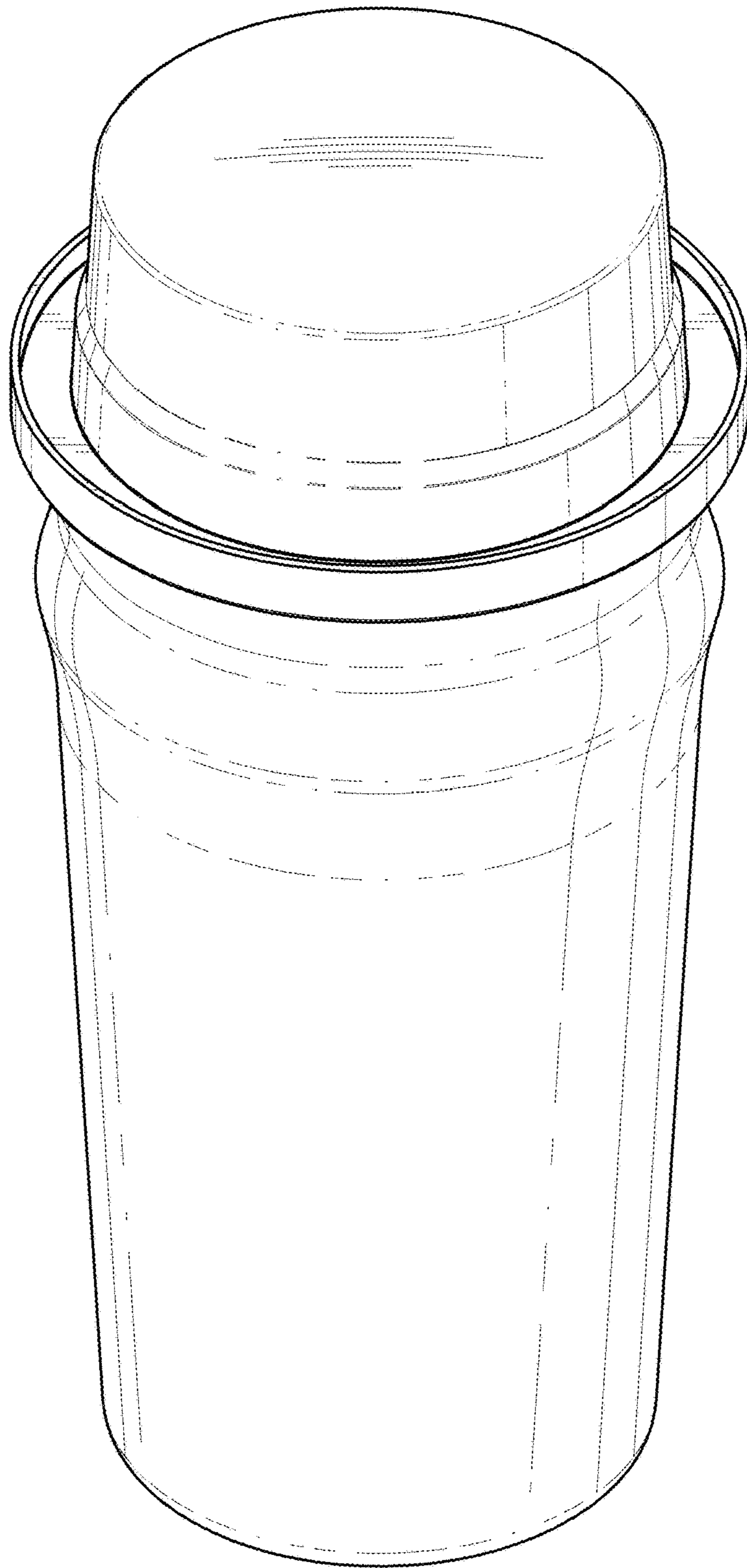
(56)

**References Cited**

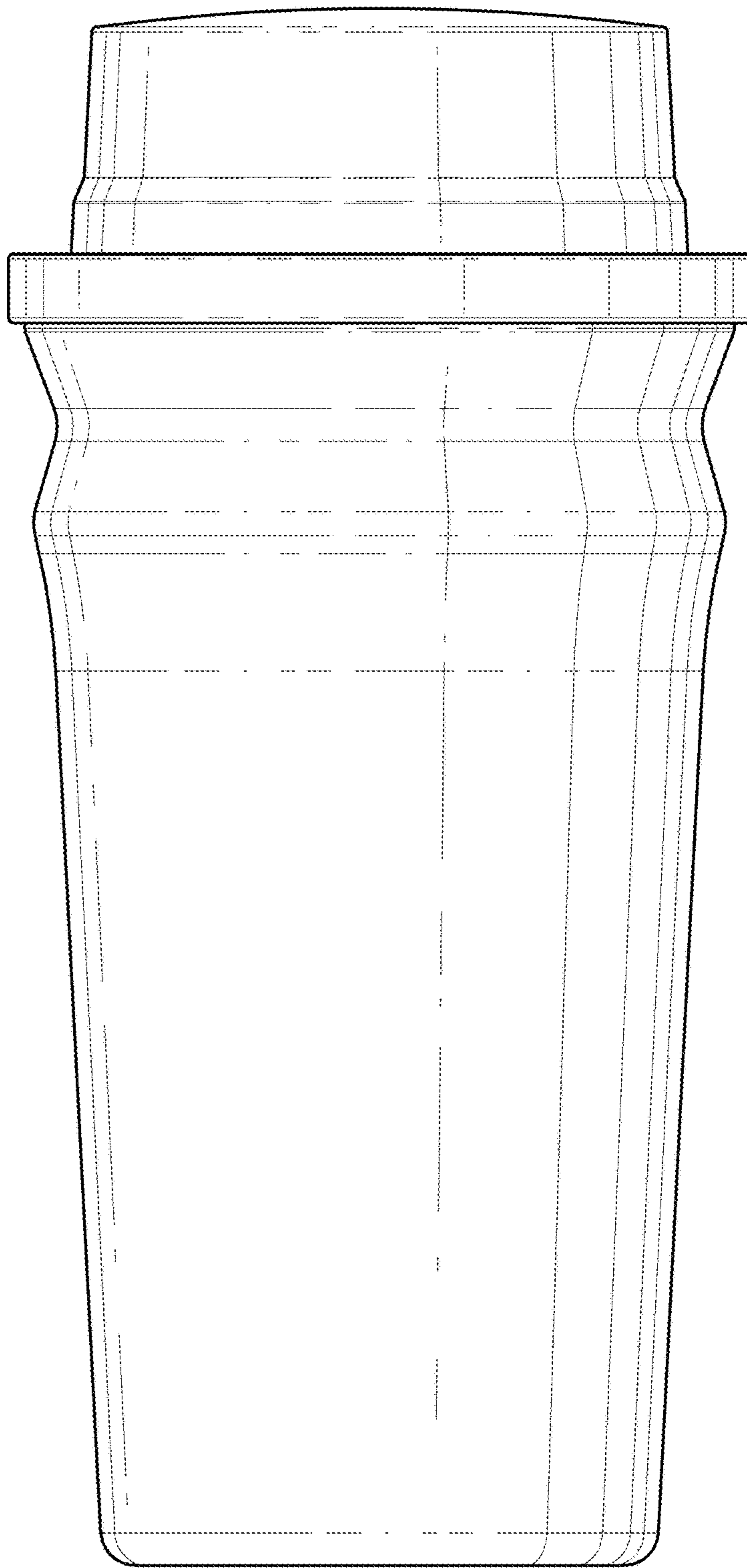
U.S. PATENT DOCUMENTS

2004/0066705 A1\* 4/2004 Linz ..... A47J 43/27  
366/130  
2011/0024320 A1\* 2/2011 Roman ..... A47J 43/27  
206/459.5  
2011/0309094 A1\* 12/2011 Bodum ..... A47G 19/2272  
220/715  
2014/0263367 A1\* 9/2014 Robertson ..... B65D 81/3874  
220/592.2  
2014/0312040 A1\* 10/2014 Gamelli ..... B65D 47/122  
220/288  
2015/0050405 A1\* 2/2015 Trager ..... B65D 81/3211  
426/519

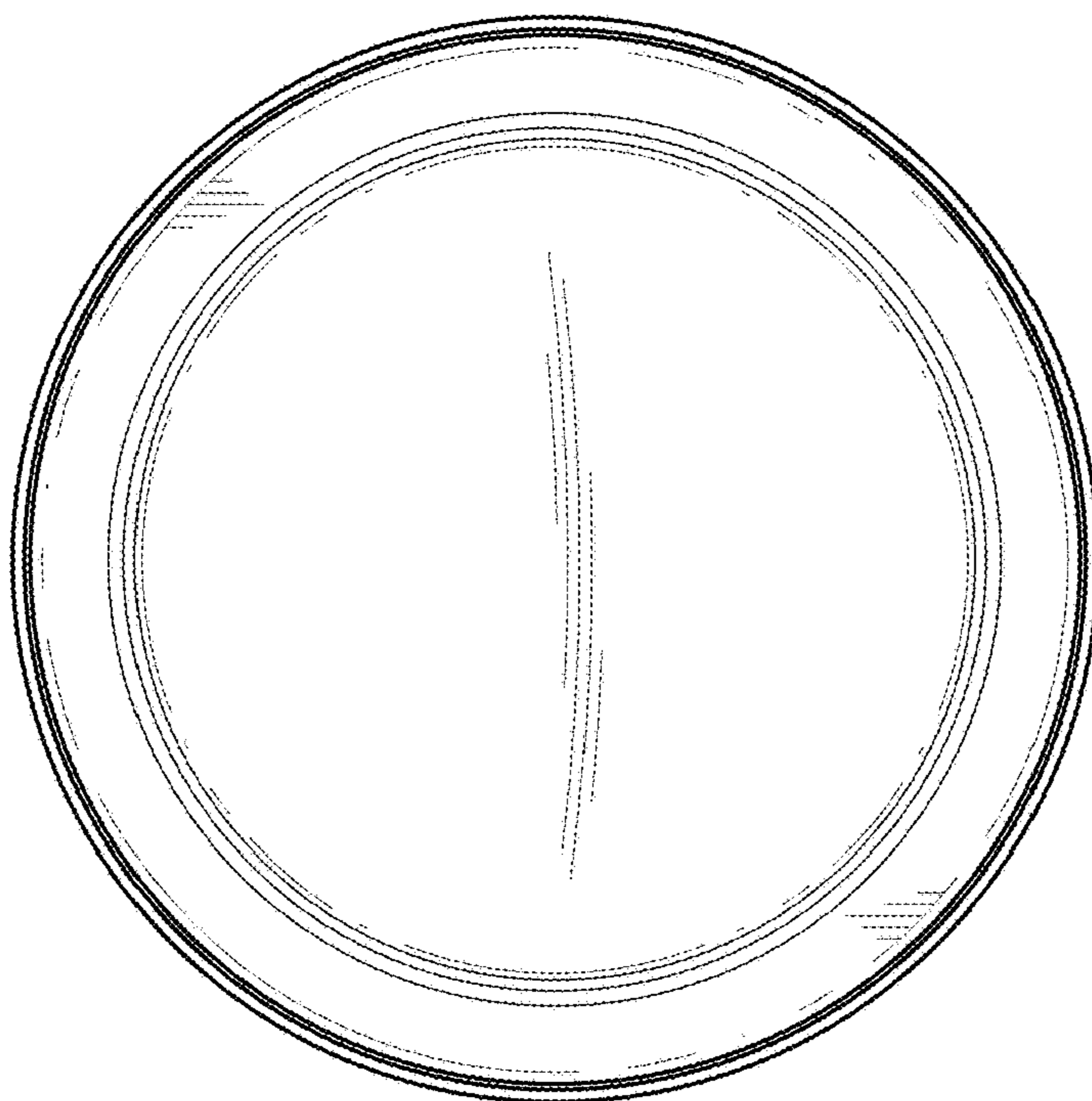
\* cited by examiner



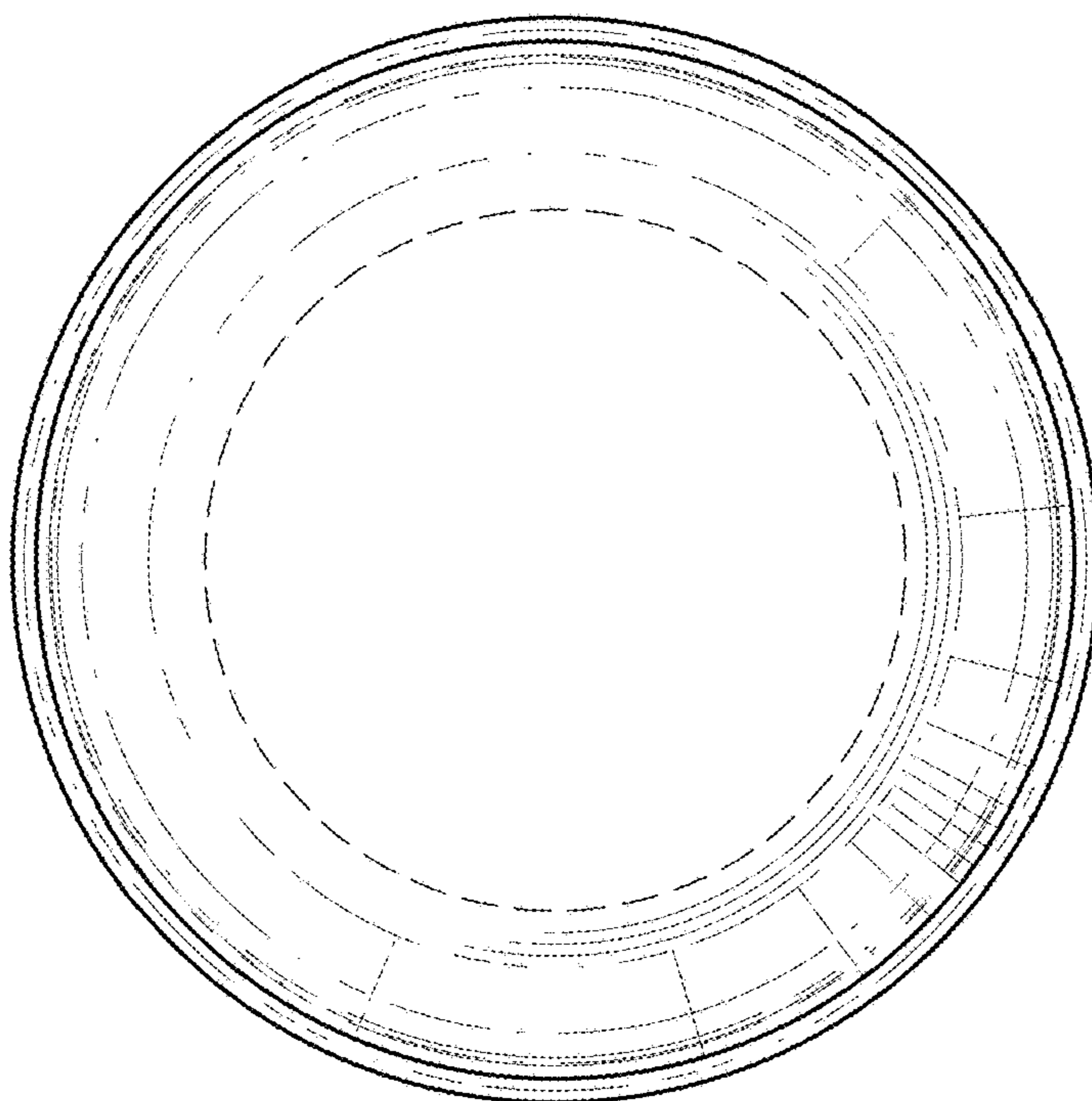
*FIG. 1*



*FIG. 2*



*FIG. 3*



*FIG. 4*