



US00D829549S

(12) **United States Design Patent**
D'Amato

(10) **Patent No.: US D829,549 S**

(45) **Date of Patent: ** *Oct. 2, 2018**

- (54) **LID**
- (71) Applicant: **Seda International Packaging Group S.p.A., Naples (IT)**
- (72) Inventor: **Gianfranco D'Amato, Naples (IT)**
- (73) Assignee: **Seda International Packaging Group SpA, Naples (IT)**
- (*) Notice: This patent is subject to a terminal disclaimer.
- (**) Term: **15 Years**
- (21) Appl. No.: **29/536,299**
- (22) Filed: **Aug. 14, 2015**
- (51) **LOC (11) Cl. 09-07**
- (52) **U.S. Cl.**
USPC **D9/447**
- (58) **Field of Classification Search**
USPC D9/429, 434, 435, 443-450, 452, 454, D9/499, 553, 554, 559, 560, 561; D7/387, 392, 393, 396.2, 396.4, 509, 510, D7/511, 514; D3/202, 203.2, 223, 264, D3/294, 304, 318
CPC .. A61J 1/00; A61J 1/1412; B65D 1/00; B65D 1/02; B65D 1/10; B65D 1/46; B65D 2585/56; B65D 2585/545; B65D 41/00; B65D 41/56; B65D 41/62; B65D 47/06; B65D 47/08; B65D 2543/00046; B65D 2543/00092; B65D 2543/00296
See application file for complete search history.

(56) **References Cited**

U.S. PATENT DOCUMENTS

- D417,845 S * 12/1999 Sadlier D7/511
- D476,891 S * 7/2003 Clarke D9/447
- D485,758 S * 1/2004 Clarke D9/447

- D516,424 S * 3/2006 Schweigert D9/447
- D591,595 S * 5/2009 Tedford, Jr. D9/447
- D629,298 S * 12/2010 Wong D9/447
- D635,855 S * 4/2011 Smith D9/447
- D649,878 S * 12/2011 Weiss D9/447
- D657,670 S * 4/2012 Folos D9/447
- D660,696 S * 5/2012 Weiss D9/447
- D662,362 S * 6/2012 Bickert D7/510
- D666,490 S * 9/2012 Leon D9/447
- D675,524 S * 2/2013 Bickert D7/392.1
- D704,053 S * 5/2014 Kim A47G 19/2272
D9/447
- D716,141 S * 10/2014 Rush D9/447
- D720,616 S * 1/2015 Lam D9/447
- D721,584 S * 1/2015 Koennecke D9/447
- D741,711 S * 10/2015 D'Amato D9/447
- 2006/0071008 A1 * 4/2006 Sadlier B65D 43/0218
220/713
- 2009/0223981 A1 * 9/2009 Levey B65D 51/185
220/712

(Continued)

FOREIGN PATENT DOCUMENTS

- EM 002254581.0001 9/2013
- EM 003432558-0001 * 12/2016

Primary Examiner — Karen S Acker
Assistant Examiner — Wendy L Arminio
 (74) *Attorney, Agent, or Firm* — Fish & Richardson P.C.

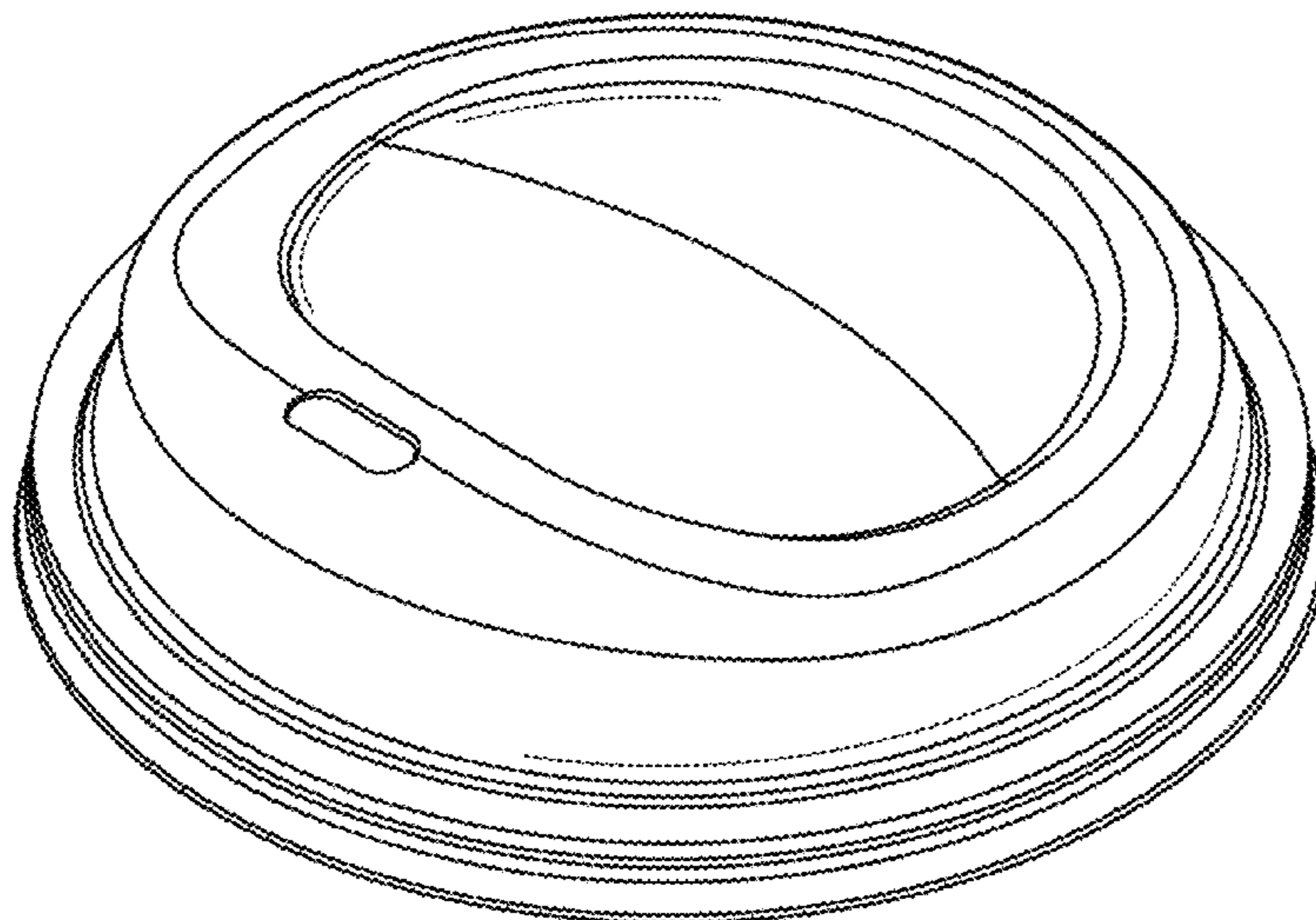
(57) **CLAIM**

The ornamental design for a lid, as shown and described.

DESCRIPTION

FIG. 1 is a top view of a lid of the present invention.
 FIG. 2 is a bottom view of the lid of FIG. 1.
 FIG. 3 is a front view of the lid of FIG. 1.
 FIG. 4 is a rear view of the lid of FIG. 1.
 FIG. 5 is a right side view of the lid of FIG. 1.
 FIG. 6 is a left side view of the lid of FIG. 1; and,
 FIG. 7 is an isometric view of the lid of FIG. 1.

1 Claim, 5 Drawing Sheets



(56)

References Cited

U.S. PATENT DOCUMENTS

2012/0272622 A1* 11/2012 Weiss B65D 43/0212
53/476
2013/0306666 A1* 11/2013 Weiss B65D 43/06
220/784

* cited by examiner

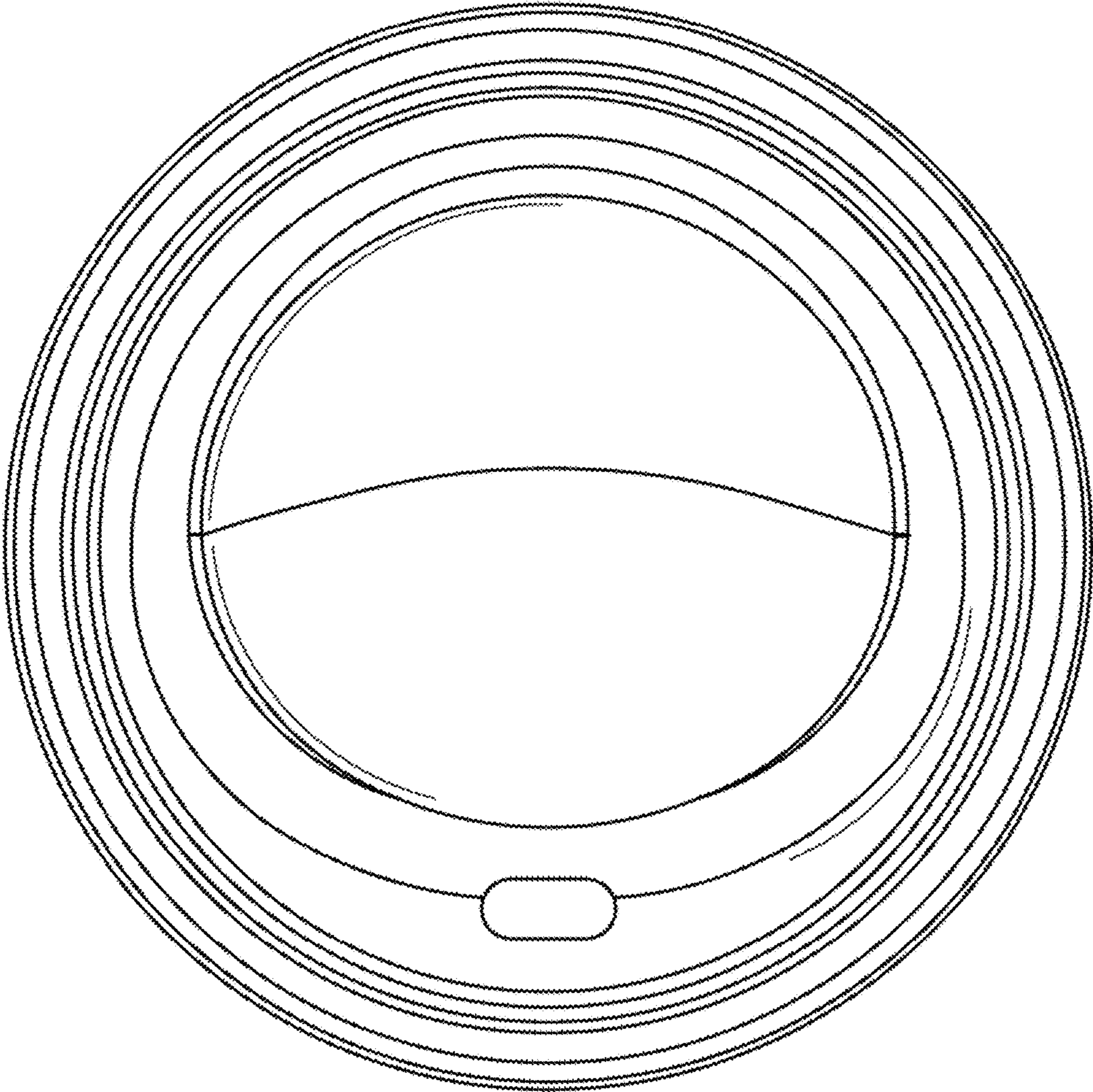


FIG. 1

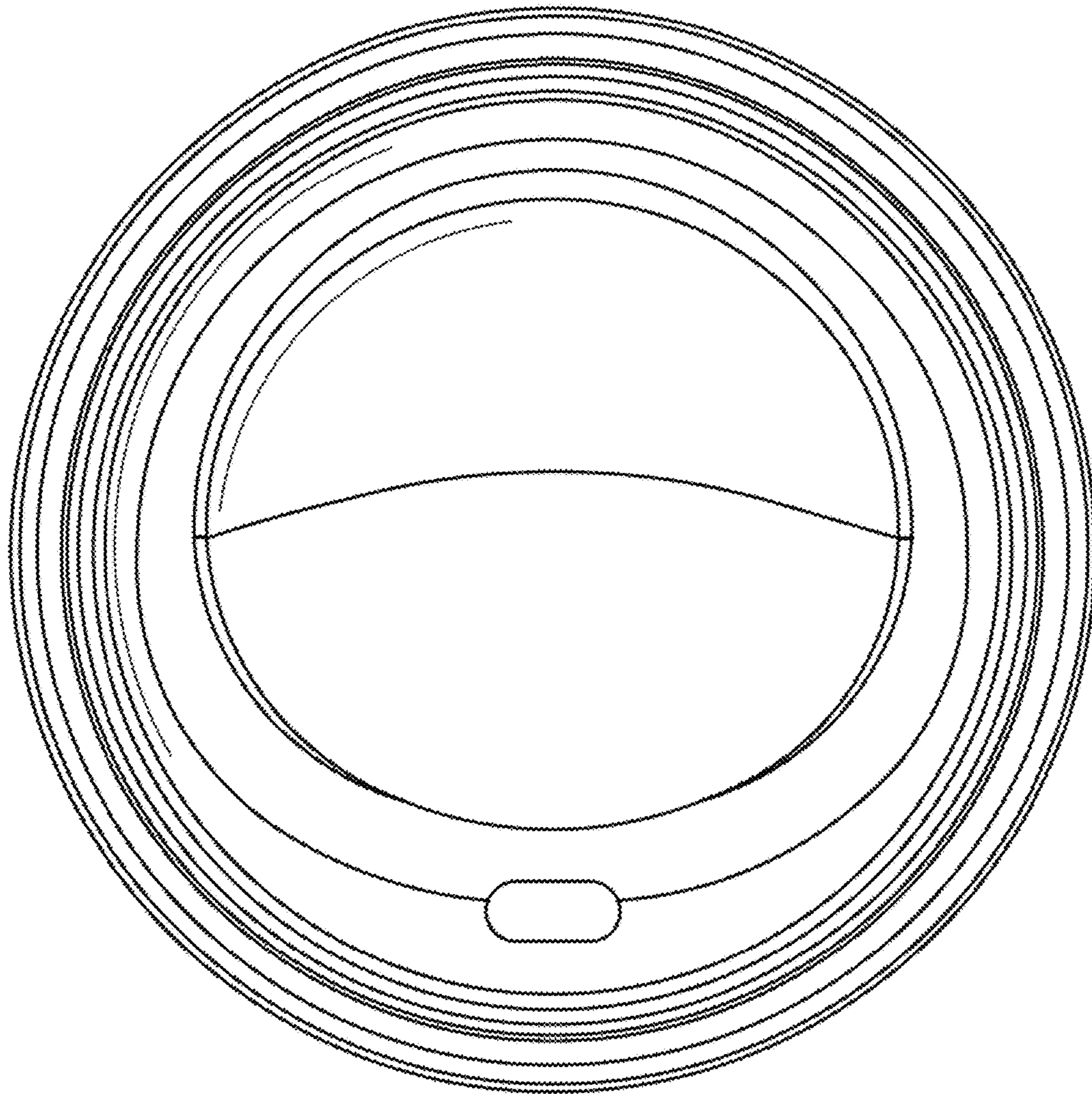


FIG. 2

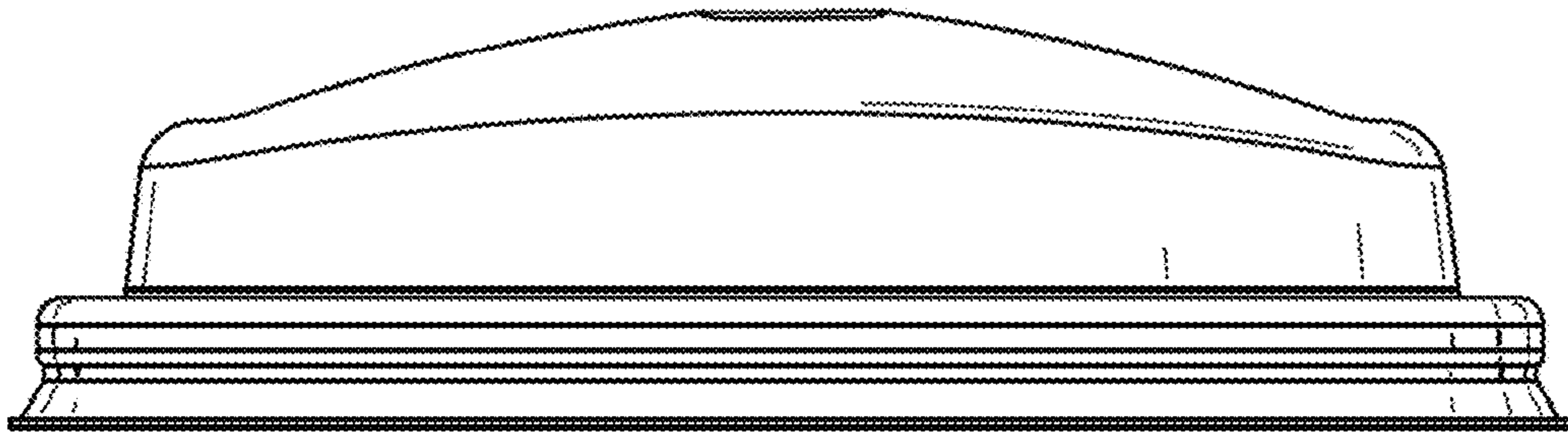


FIG. 3

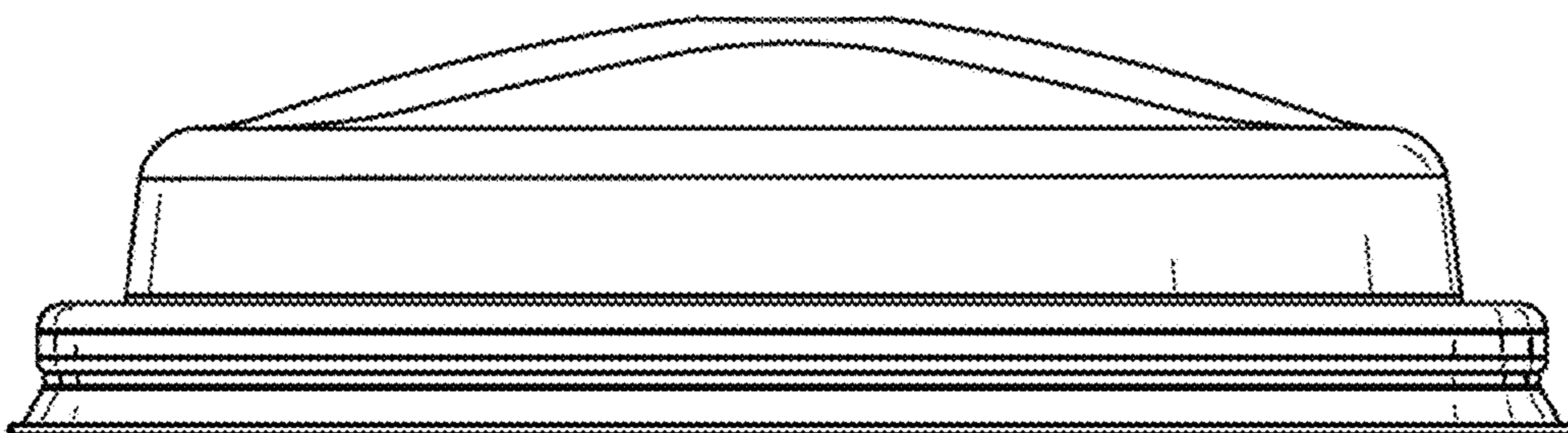


FIG. 4

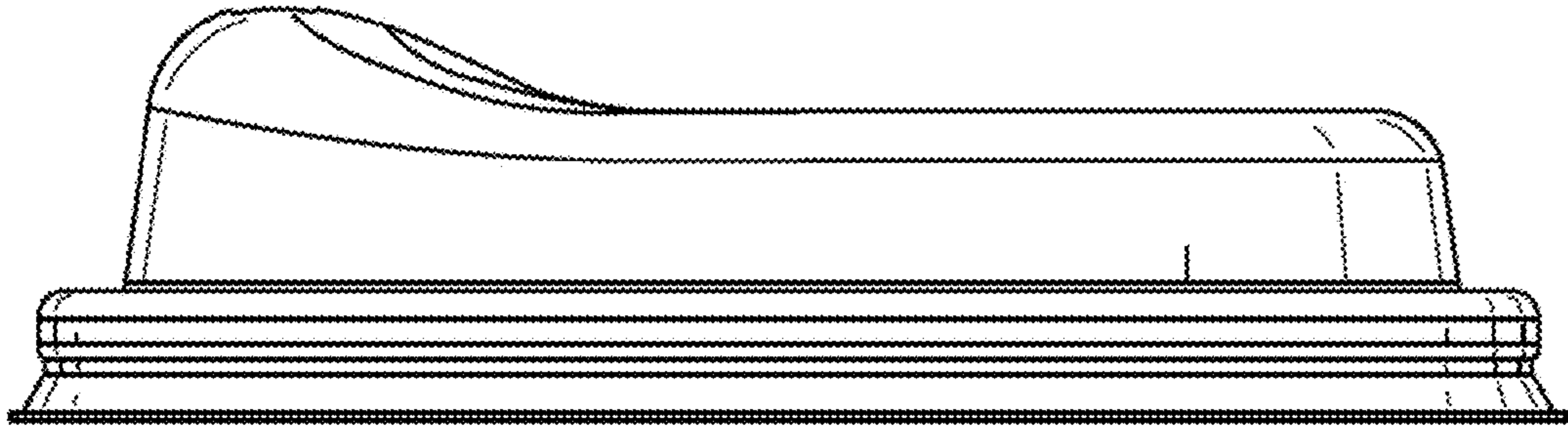


FIG. 5

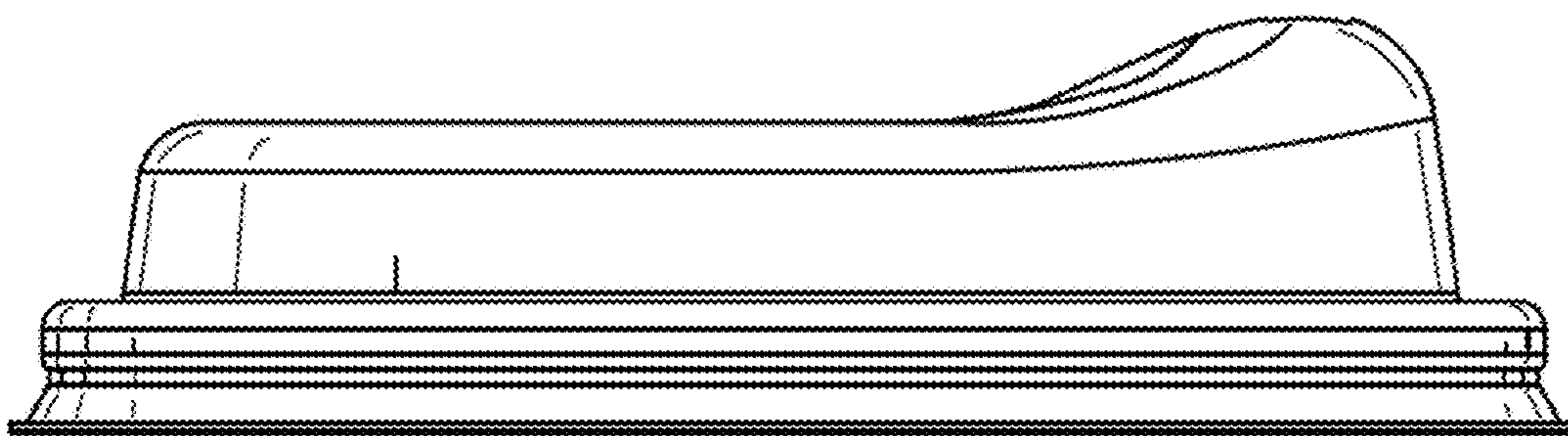


FIG. 6

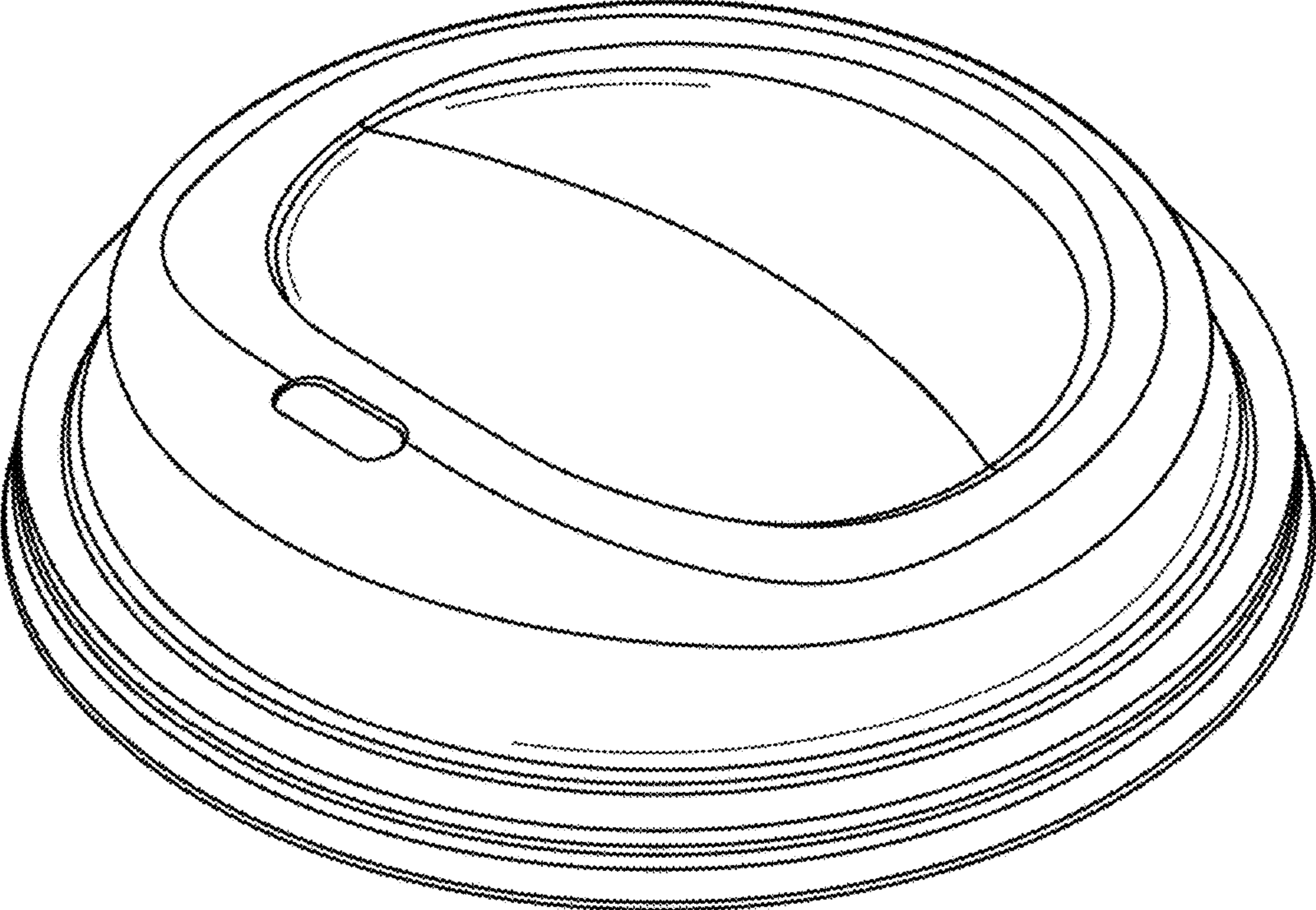


FIG. 7