



US00D829547S

(12) **United States Design Patent** (10) **Patent No.:** **US D829,547 S**
Leufstedt et al. (45) **Date of Patent:** **** Oct. 2, 2018**

(54) **PACKAGE** 5,021,040 A * 6/1991 Phillips B65D 5/061
229/137

(71) Applicant: **Tetra Laval Holdings & Finance S.A.,** D548,612 S 8/2007 Berman
Pully (CH) D550,570 S 9/2007 Berman
(Continued)

(72) Inventors: **Ida Leufstedt**, Lomma (SE); **Daniel Zulumovski**, Malmö (SE);
Manoochehr Keikhaee, Bunkeflostrand (SE); **Marlene Hellmalm**, Dalby (SE)
FOREIGN PATENT DOCUMENTS
EP 2376332 B1 3/2014
EP 1597161 12/2016
(Continued)

(73) Assignee: **TETRA LAVAL HOLDINGS & FINANCE S.A.,** Pully (CH)
Primary Examiner — Vy N Koenig
(74) *Attorney, Agent, or Firm* — Buchanan Ingersoll & Rooney PC

(**) Term: **15 Years**

(21) Appl. No.: **29/582,120**

(22) Filed: **Oct. 25, 2016**

(30) **Foreign Application Priority Data**

Apr. 25, 2016 (EM) 003086636-0001
Apr. 25, 2016 (EM) 003086636-0002
Apr. 25, 2016 (EM) 003086636-0003

(51) **LOC (11) Cl.** **09-03**

(52) **U.S. Cl.**
USPC **D9/434; D9/431; D9/433**

(58) **Field of Classification Search**
USPC D9/414–423, 430–434, 457, 711, 713,
D9/720–722, 733, 734, 737, 761;
D3/290, 304, 305, 315; D20/10, 22, 27,
D20/28, 39, 40, 42
CPC B65D 5/00; B65D 5/0015; B65D 5/061;
B65D 5/18; B65D 5/20; B65D 5/32;
B65D 5/321; B65D 5/322
See application file for complete search history.

(56) **References Cited**

U.S. PATENT DOCUMENTS

4,754,917 A * 7/1988 Gordon B65D 5/061
229/137

(57) **CLAIM**

The ornamental design for a package, as shown and described.

DESCRIPTION

FIG. 1 is a front, right perspective view of a package showing our new design.

FIG. 2 is a front elevational view thereof.

FIG. 3 is a rear elevational view thereof.

FIG. 4 is a left side elevational view thereof.

FIG. 5 is a right side elevational view thereof.

FIG. 6 is a top plan view thereof.

FIG. 7 is a bottom plan view thereof.

FIG. 8 is a top plan view of the package shown in FIG. 1 in a flat, blank configuration.

FIG. 9 is a front view of the package shown in FIG. 1 in a partially folded blank configuration, showing the front and right sides; and,

(Continued)

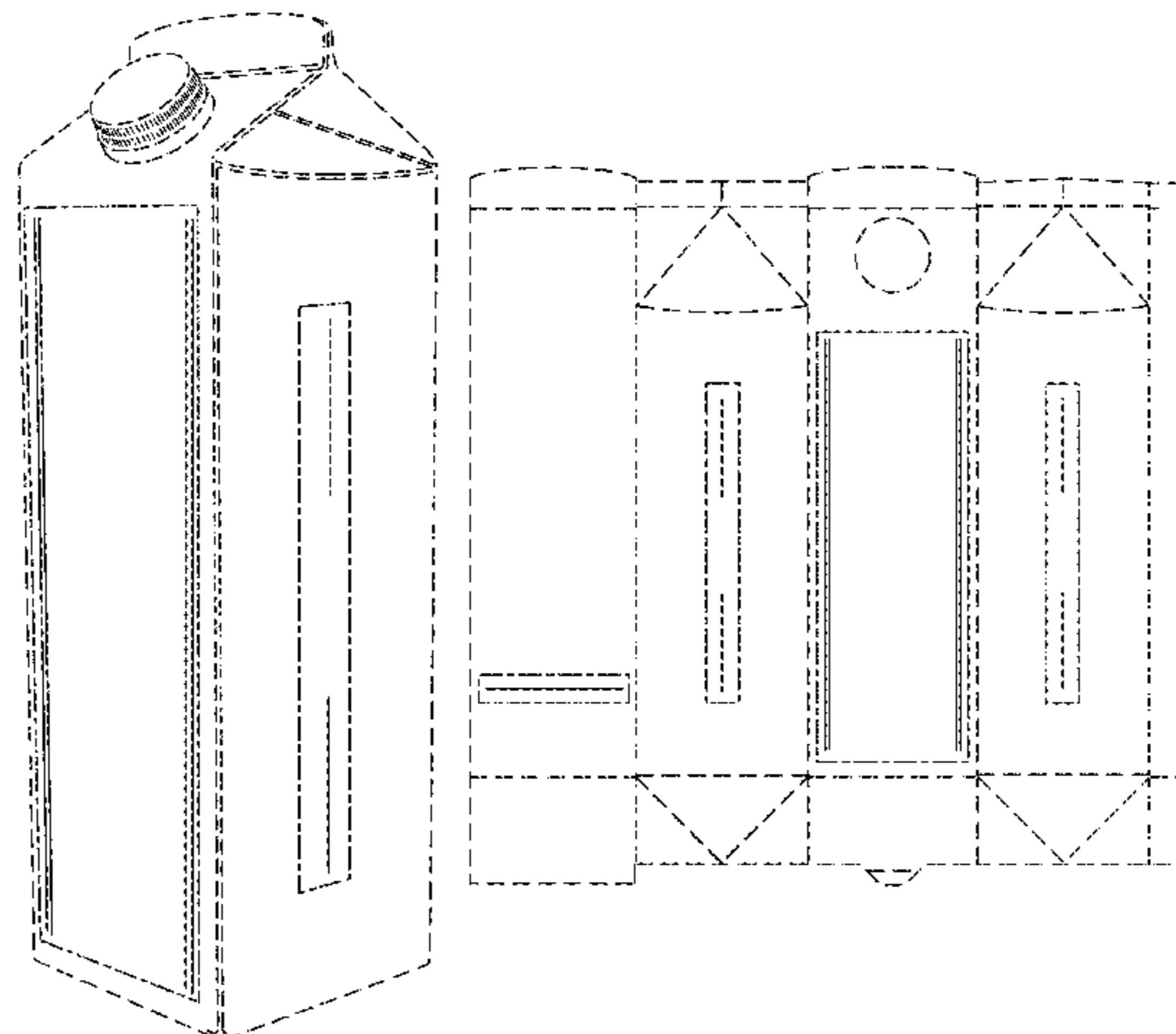


FIG. 10 is a rear view of the package shown in FIG. 1 in a partially folded blank configuration, showing the rear and left sides.

The broken lines shown in the drawings depict portions of the package that form no part of the claimed design. The short dash-long dash lines shown in the drawings define the boundary of the claimed design.

1 Claim, 9 Drawing Sheets

D786,069	S *	5/2017	Brechensbauer	D9/433
D786,070	S *	5/2017	Leidinger	D9/433
D796,950	S *	9/2017	Jacobsson	D9/433
2005/0236463	A1 *	10/2005	Boldrini	B65D 5/067 229/100
2006/0016865	A1 *	1/2006	Berglin	B65D 5/746 229/125.15
2006/0144912	A1 *	7/2006	Franic	B65D 5/029 229/125.15
2007/0297700	A1	12/2007	Berman		
2008/0290146	A1 *	11/2008	Daley	B31B 3/00 229/109

(56)

References Cited

U.S. PATENT DOCUMENTS

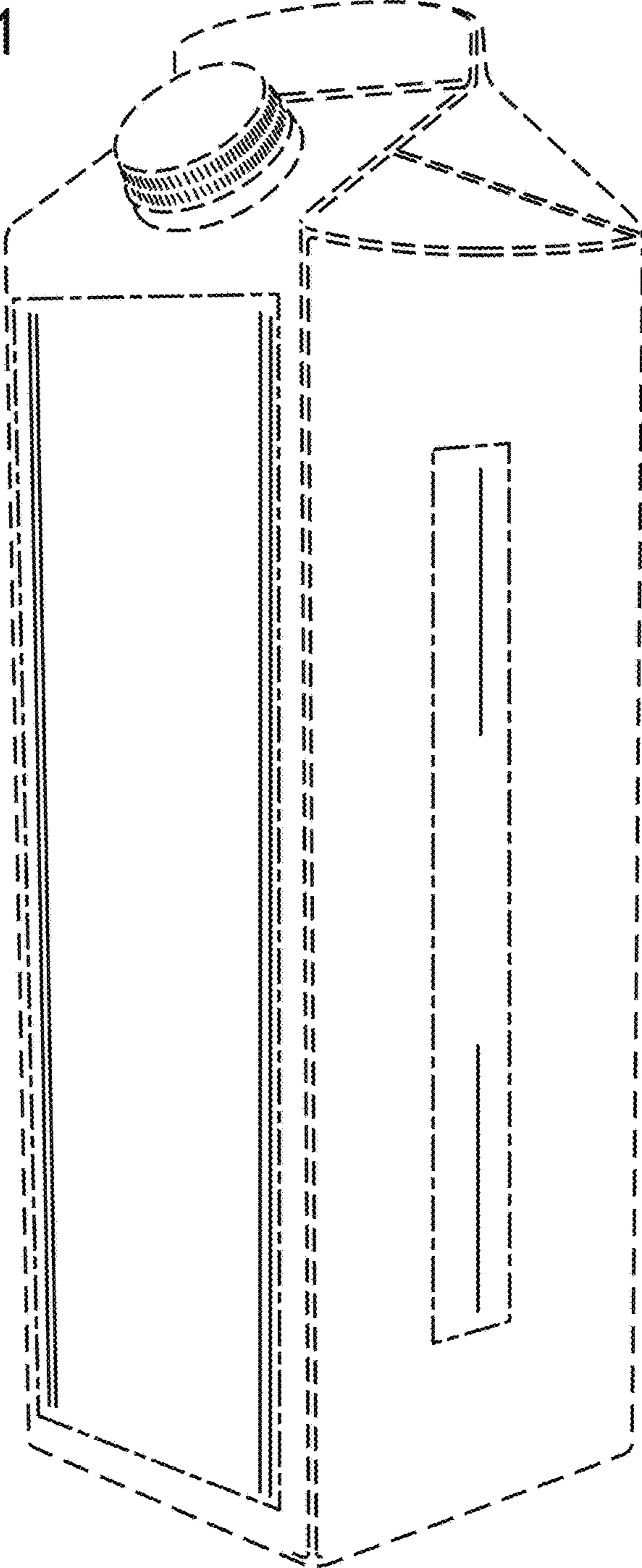
D558,601	S	1/2008	Berman		
D592,052	S *	5/2009	Martini	D9/433
D649,451	S *	11/2011	Franic	D9/433
D786,067	S *	5/2017	Brechensbauer	D9/433
D786,068	S *	5/2017	Brechensbauer	D9/433

FOREIGN PATENT DOCUMENTS

JP		1339751	B1	9/2010
TW		D146764		5/2012
TW		D147505		6/2012
TW		D150961		12/2012
TW		D150962		12/2012

* cited by examiner

FIG. 1



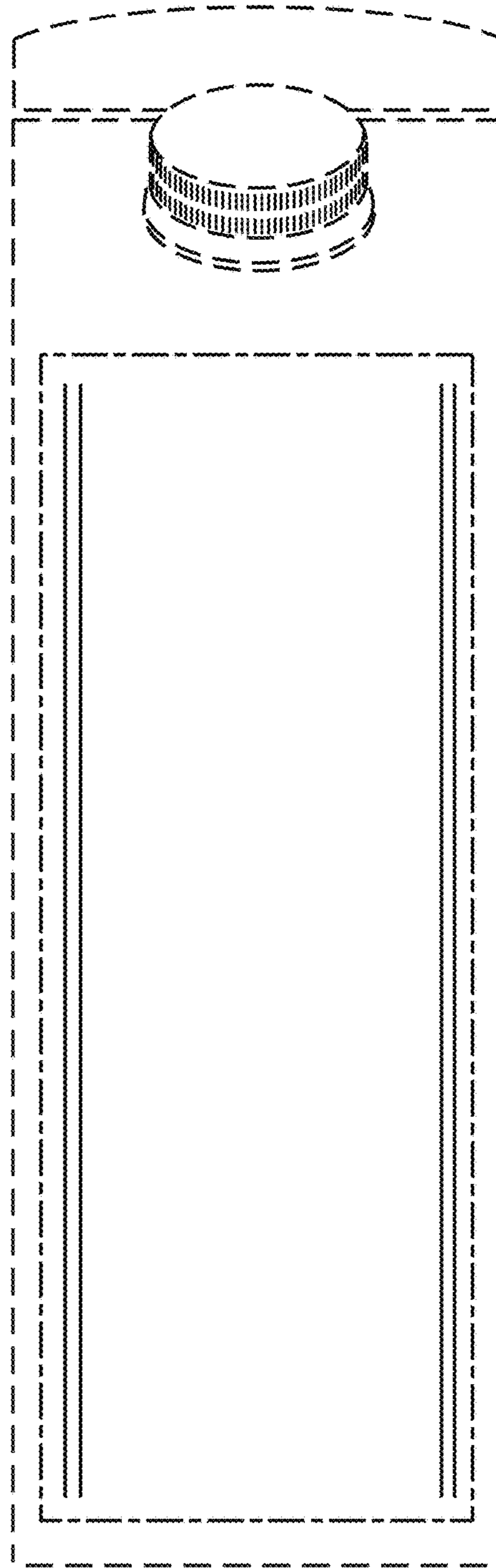


FIG. 2

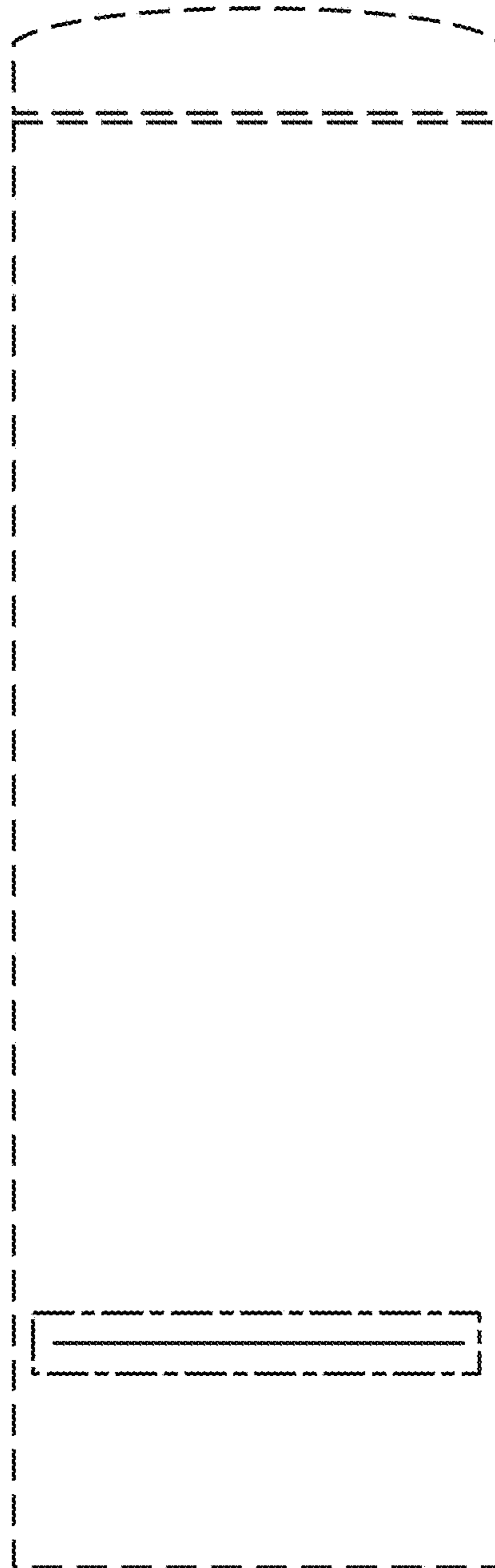


FIG. 3

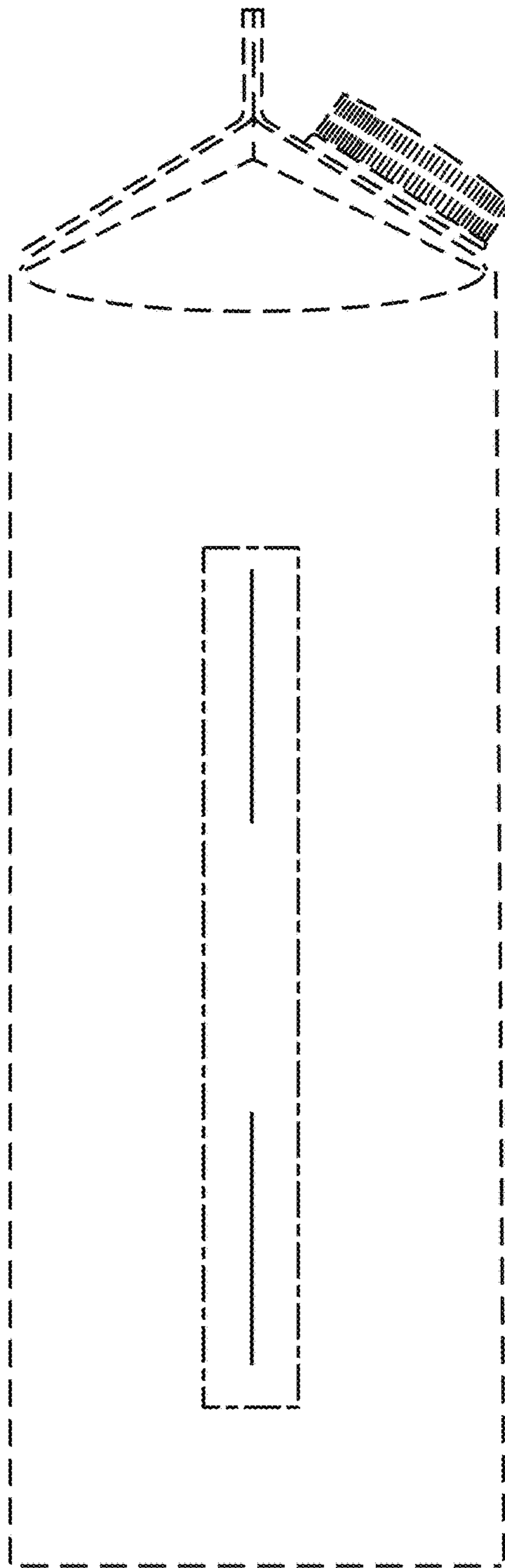


FIG. 4

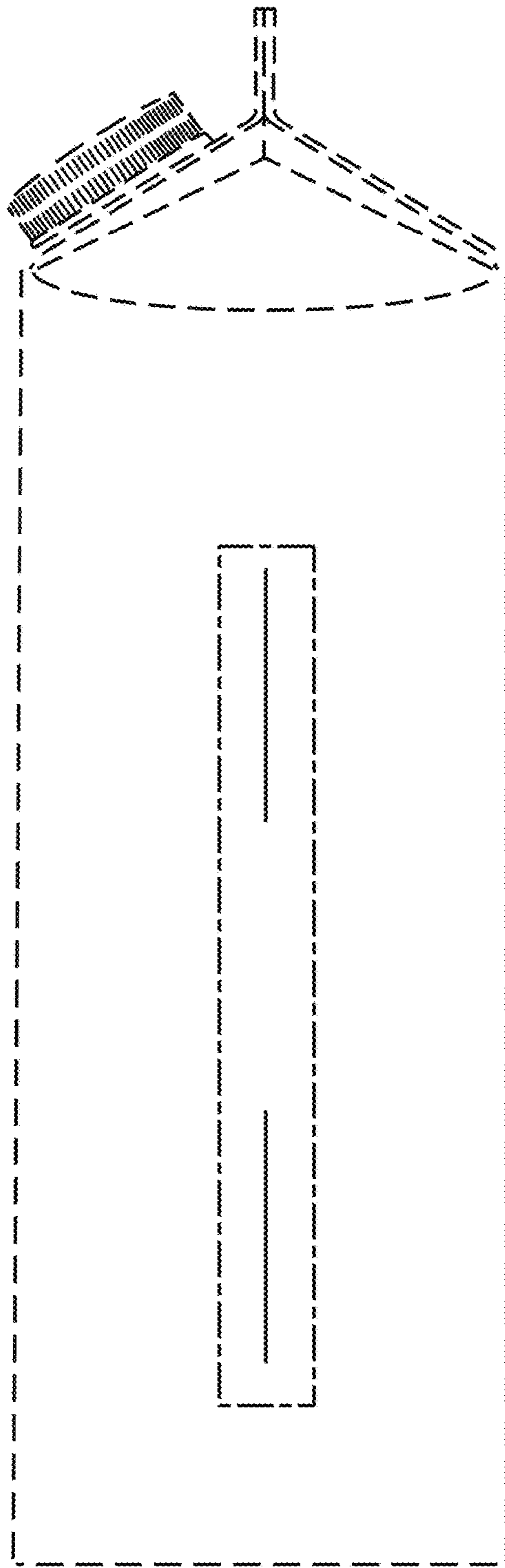


FIG. 5

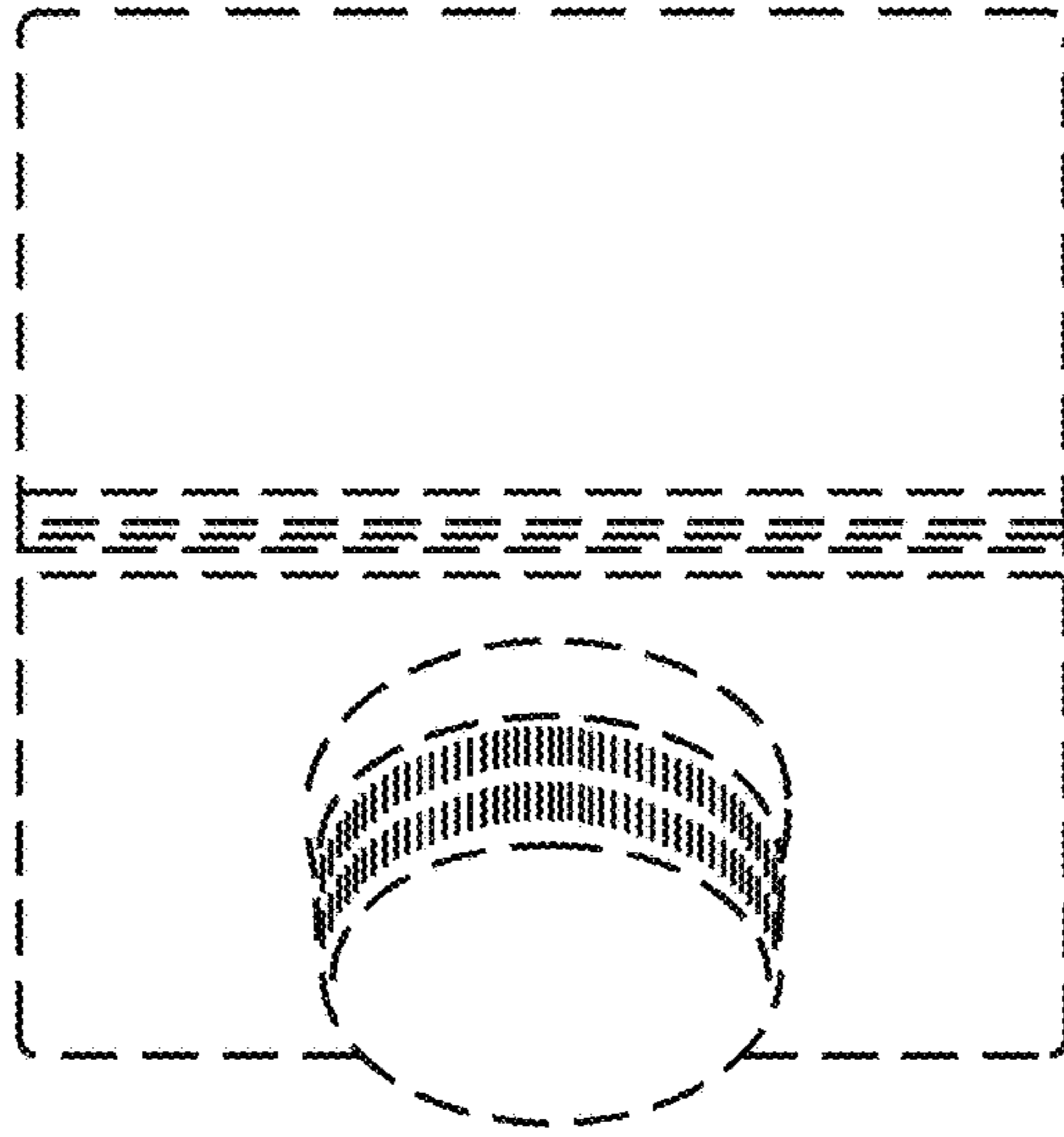


FIG. 6

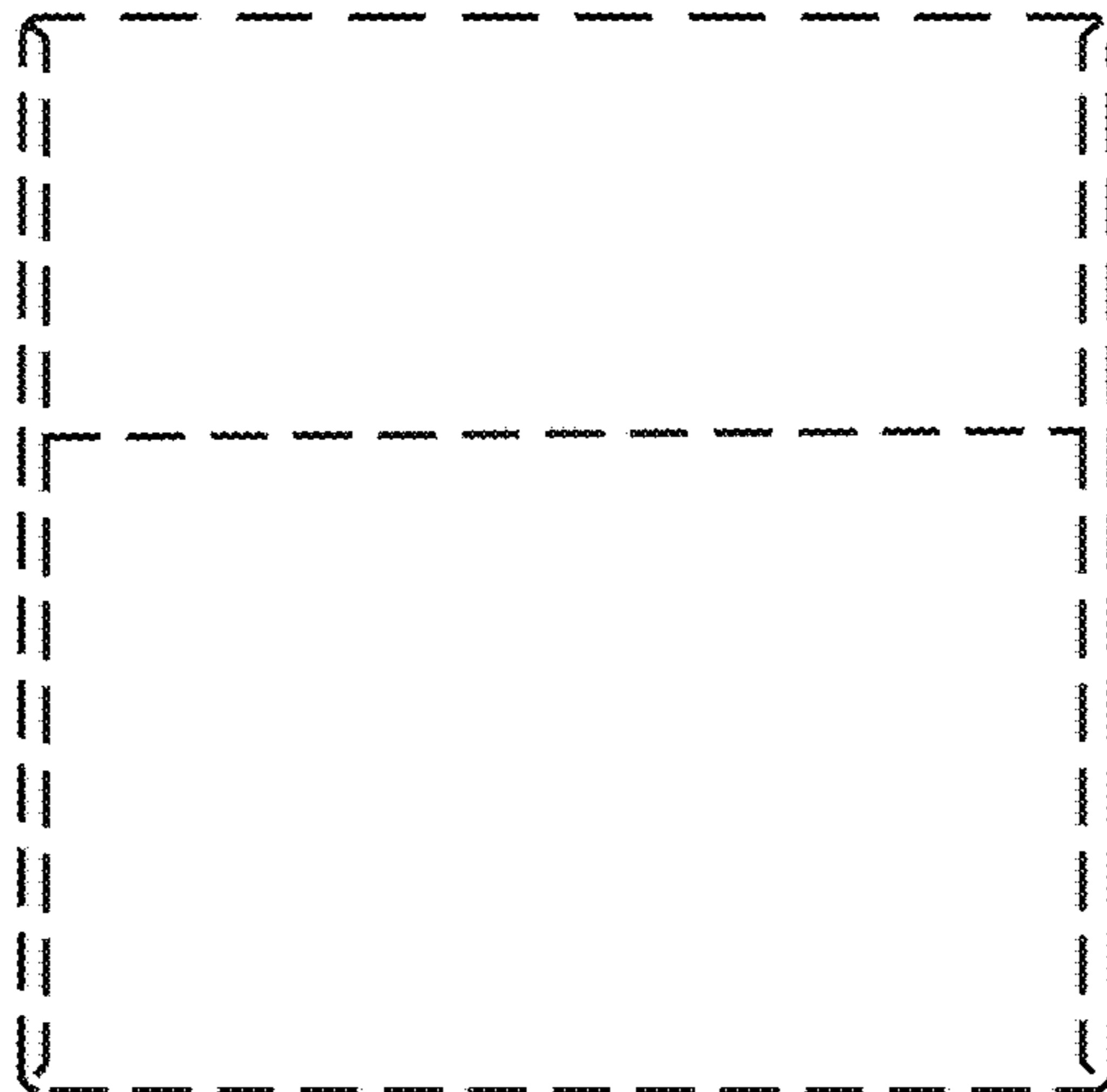


FIG. 7

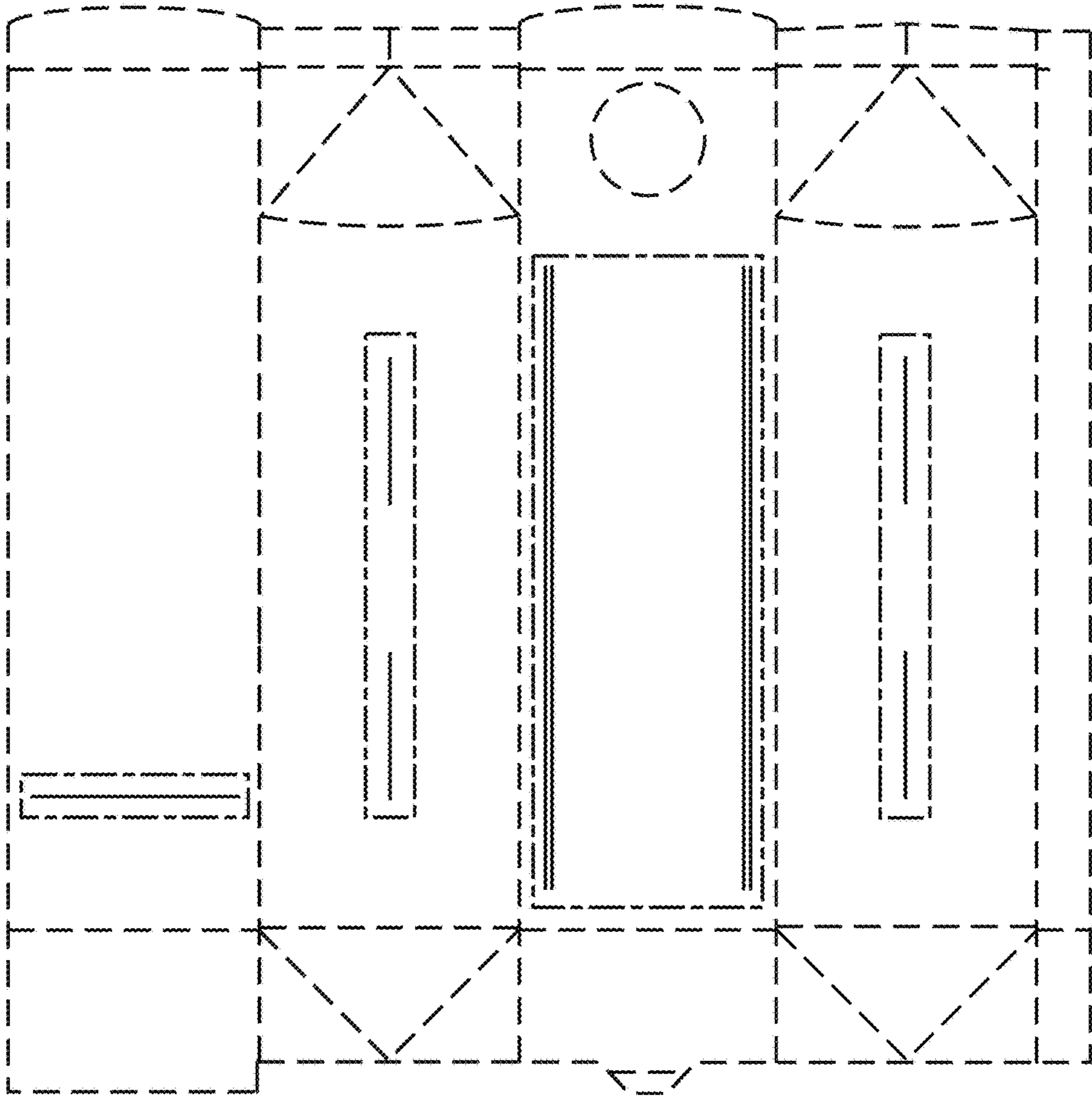


FIG. 8

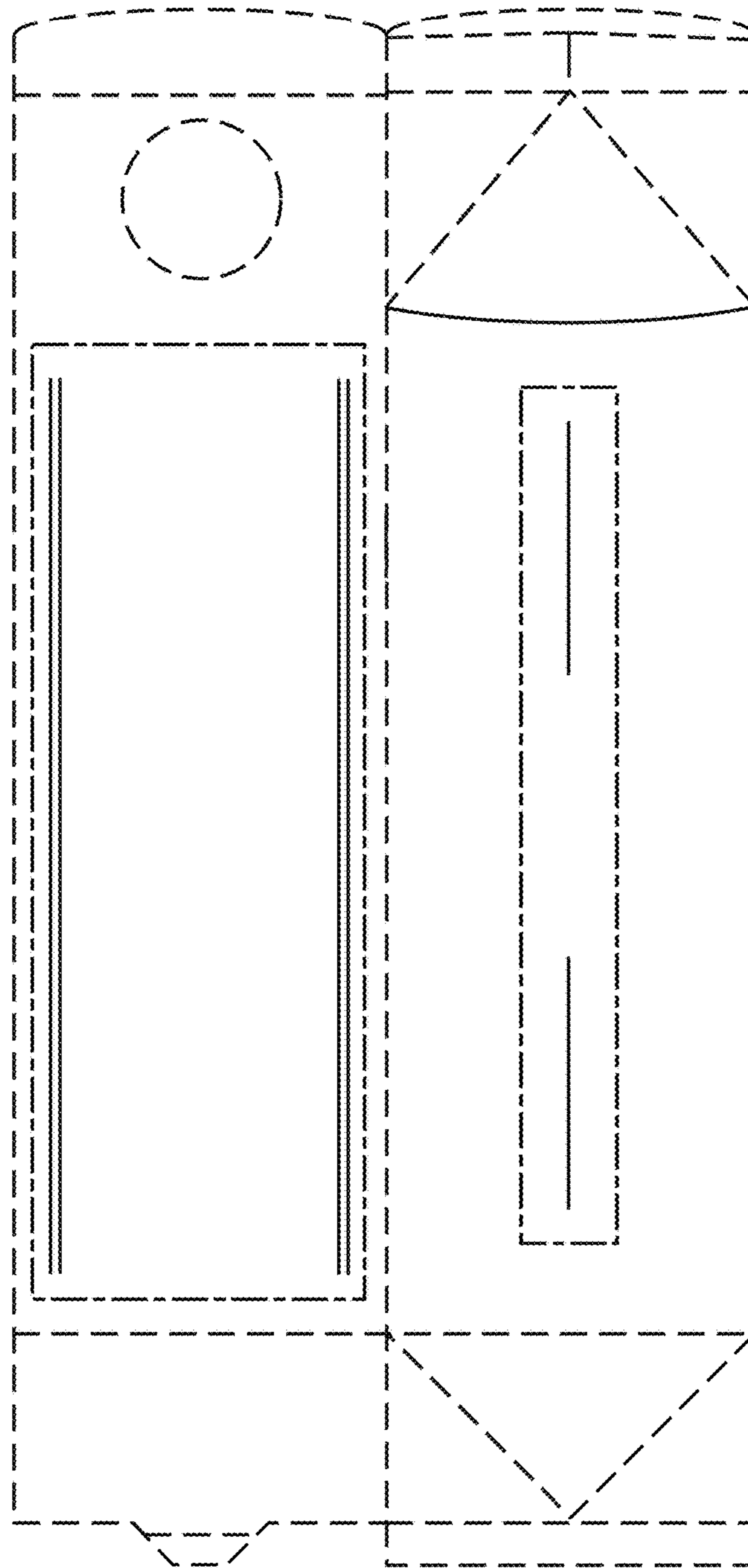


FIG. 9

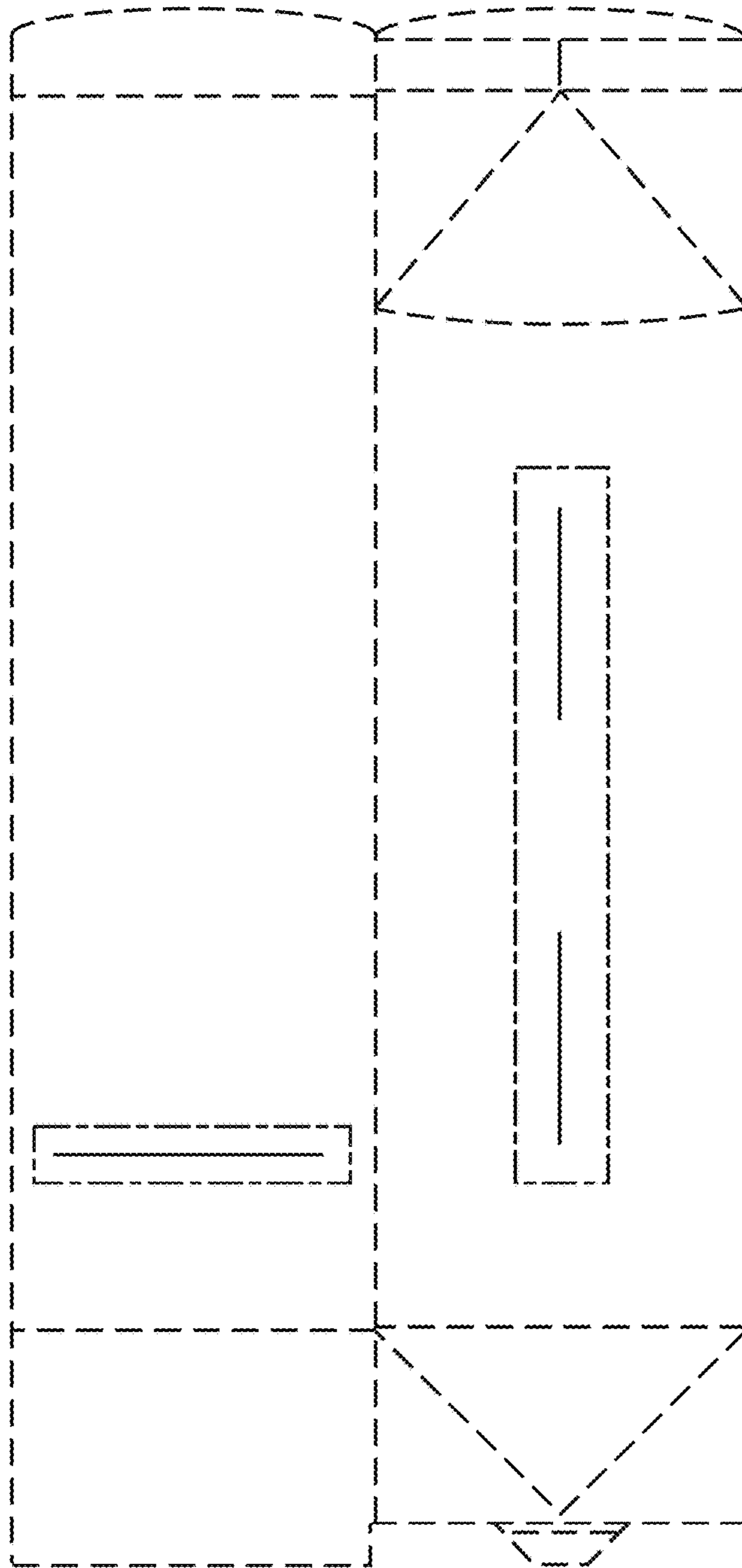


FIG. 10