

US00D829545S

(12) **United States Design Patent** (10) **Patent No.:** **US D829,545 S**
Thurin et al. (45) **Date of Patent:** **** Oct. 2, 2018**

(54) **CONTAINER BOWL**

(71) Applicant: **S.C. Johnson & Son, Inc.**, Racine, WI (US)

(72) Inventors: **Matthew N. Thurin**, Wauwatosa, WI (US); **Rishabh Singh**, Milwaukee, WI (US); **Christopher M. Wlezien**, Chicago, IL (US); **Peter I. Capraro**, San Francisco, CA (US); **Allan Freas Velzy**, Boston, MA (US)

(73) Assignee: **S. C. Johnson & Son, Inc.**, Racine, WI (US)

(**) Term: **15 Years**

(21) Appl. No.: **29/613,227**

(22) Filed: **Aug. 8, 2017**

Related U.S. Application Data

(63) Continuation of application No. 29/535,311, filed on Aug. 5, 2015, now Pat. No. Des. 797,552, which is a continuation of application No. 29/461,259, filed on Jul. 19, 2013, now Pat. No. Des. 741,171, and a continuation of application No. 29/461,254, filed on Jul. 19, 2013, now Pat. No. Des. 742,224, and a continuation of application No. 29/461,255, filed on Jul. 19, 2013, now Pat. No. Des. 752,973, and a continuation of application No. 29/461,250, filed on (Continued)

(51) **LOC (11) Cl.** **09-03**

(52) **U.S. Cl.**
USPC **D9/425**; D9/432; D7/602

(58) **Field of Classification Search**
USPC D7/391, 392, 392.1, 397, 538, 542, 602, D7/629; D9/424, 425, 428, 430, 432, D9/435, 449, 452; 220/212, 213, 260, 220/574, 660, 675, 781, 782, 783, 790, 220/791, 794
CPC B65D 21/0233; B65D 2543/00203; B65D 43/08; B65D 2543/00296

See application file for complete search history.

(56) **References Cited**

U.S. PATENT DOCUMENTS

1,542,115 A 6/1925 Weis
2,412,325 A 12/1946 Devine et al.
(Continued)

FOREIGN PATENT DOCUMENTS

GB D4021888 10/2011
JP 2012-001467 1/2012
WO WO 2012/009035 A1 1/2012

OTHER PUBLICATIONS

Infantino Annabel Karmel Feeding Accessories, <<http://www.thanksmailcarrier.com/2010/11/infantino-annabel-karmel-feeding.html>>, accessed Jan. 25, 2013.

(Continued)

Primary Examiner — George D. Kirschbaum
Assistant Examiner — Kendra Leslie Hamilton

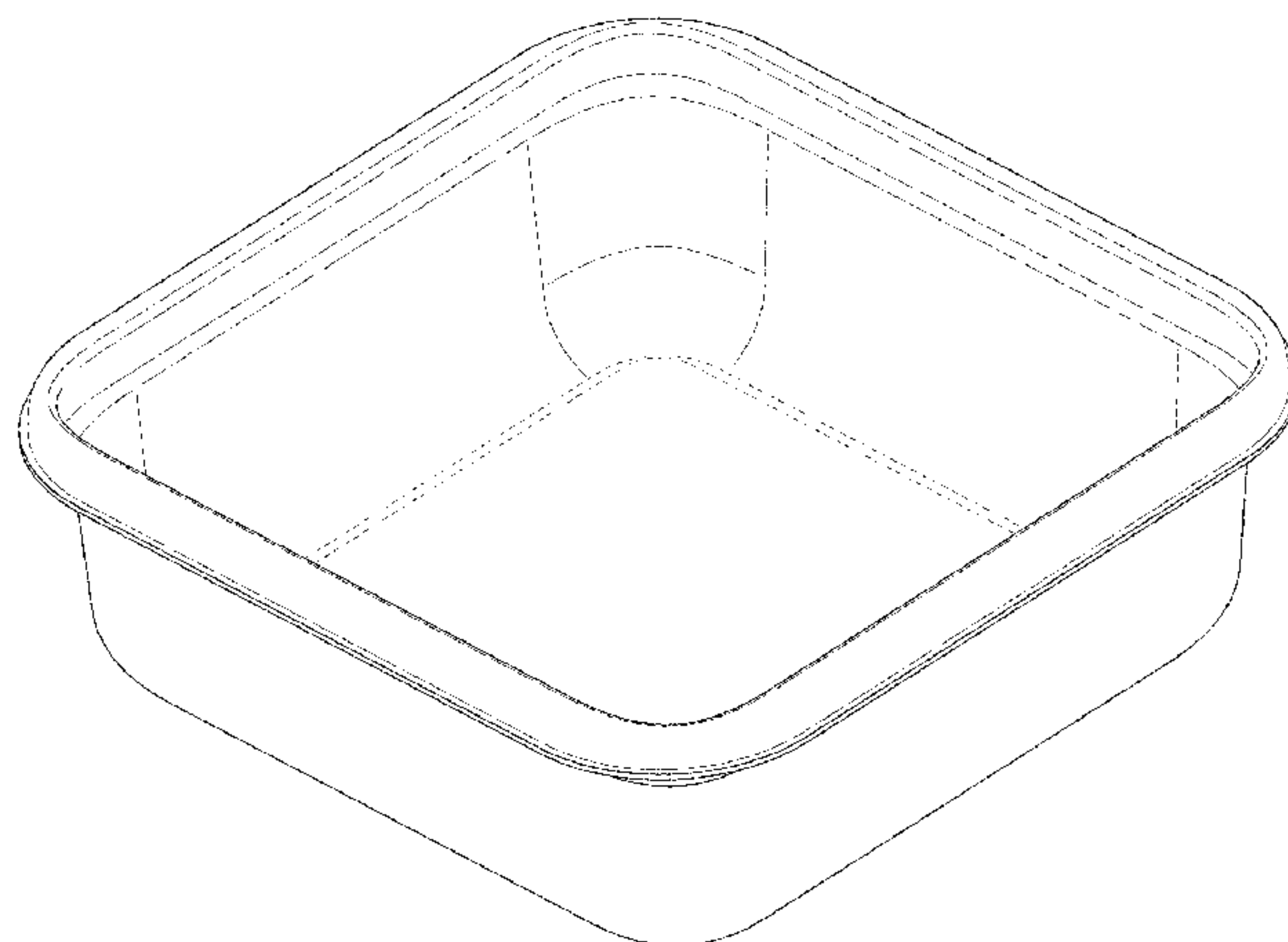
(57) **CLAIM**

The ornamental design for a container bowl, as shown and described.

DESCRIPTION

FIG. 1 is a top perspective view of a container bowl showing our new design;
FIG. 2 is a front view thereof;
FIG. 3 is a rear view thereof;
FIG. 4 is a right side view thereof;
FIG. 5 is a left side view thereof;
FIG. 6 is a top view thereof;
FIG. 7 is a bottom view thereof; and,
FIG. 8 is a bottom perspective view thereof.
The broken lines in the Figures show portions of the container bowl which form no part of the claimed design.

1 Claim, 8 Drawing Sheets



Related U.S. Application Data

Jul. 19, 2013, now Pat. No. Des. 741,170, and a continuation of application No. 29/461,258, filed on Jul. 19, 2013, now Pat. No. Des. 744,336, and a continuation of application No. 29/461,252, filed on Jul. 19, 2013, now Pat. No. Des. 750,483, and a continuation of application No. 29/469,505, filed on Oct. 10, 2013, now Pat. No. Des. 741,708, and a continuation of application No. 29/469,506, filed on Oct. 10, 2013, now Pat. No. Des. 742,743, and a continuation of application No. 29/484,860, filed on Mar. 13, 2014, now Pat. No. Des. 760,073.

(56)

References Cited

U.S. PATENT DOCUMENTS

2,575,770	A	11/1951	Roop	
2,606,586	A	8/1952	Hill	
2,695,115	A	11/1954	Roop	
3,117,692	A	1/1964	Carpenter et al.	
3,262,602	A	7/1966	McConnell et al.	
3,338,468	A	8/1967	Wilson	
3,452,896	A	7/1969	Elliot	
3,589,554	A	6/1971	Smith	
3,981,401	A	9/1976	Blanchard	
4,483,455	A	11/1984	Prophet, Jr. et al.	
D279,251	S	6/1985	Daenen et al.	
4,562,937	A	1/1986	Iyengar	
4,700,842	A	10/1987	Grusin	
4,742,935	A	5/1988	Schellenberg	
4,844,263	A	7/1989	Hadtke	
4,899,925	A	2/1990	Bowden et al.	
4,951,832	A	8/1990	Tenney et al.	
5,184,745	A	2/1993	Havens et al.	
5,356,026	A	10/1994	Andress et al.	
5,377,860	A	1/1995	Littlejohn et al.	
5,409,126	A	4/1995	DeMars	
5,419,451	A	* 5/1995	Bitel, Jr.	B65D 1/36 206/508
D360,105	S	7/1995	Doxey	
5,542,234	A	8/1996	Wyslotsky et al.	
5,560,315	A	10/1996	Lampe	
5,586,656	A	12/1996	Abrums	
5,634,559	A	6/1997	Foos et al.	
D388,325	S	12/1997	Tucker et al.	
5,692,617	A	12/1997	Adams	
5,709,304	A	1/1998	Credle, Jr.	
D390,109	S	2/1998	Tucker et al.	
5,769,229	A	6/1998	Andress et al.	
5,799,792	A	9/1998	Abrums	
5,810,187	A	9/1998	Woodring	
D411,741	S	6/1999	Wilson et al.	
5,992,679	A	11/1999	Porchia et al.	
D419,829	S	2/2000	Wilson et al.	
D420,252	S	2/2000	Loew et al.	
6,032,827	A	3/2000	Zettle et al.	
D427,063	S	6/2000	May	
D428,310	S	7/2000	Zettle et al.	
6,168,044	B1	1/2001	Zettle et al.	
6,170,696	B1	1/2001	Tucker et al.	
D439,744	S	4/2001	Ho	
D440,470	S	4/2001	Tucker et al.	
D440,830	S	4/2001	Tucker et al.	
D443,184	S	6/2001	Maxwell et al.	
D443,798	S	6/2001	Tucker et al.	
D446,117	S	8/2001	Conti	
D447,382	S	9/2001	Tucker et al.	
D448,606	S	10/2001	Conti	
D448,969	S	10/2001	Conti	
D449,495	S	10/2001	Tucker et al.	
D450,983	S	11/2001	Tucker et al.	
D451,769	S	12/2001	Stanos et al.	
6,415,945	B1	7/2002	Zank et al.	
D462,880	S	9/2002	Maxwell et al.	
6,467,647	B1	10/2002	Tucker et al.	

D465,382	S	11/2002	Wolf et al.
D466,364	S	12/2002	Demore
D472,774	S	4/2003	Pelstring et al.
6,557,720	B2	5/2003	Tosdale et al.
D485,468	S	1/2004	Roth et al.
D485,473	S	1/2004	Dais et al.
6,672,473	B2	1/2004	Torniainen et al.
6,685,049	B1	2/2004	Paladino
D490,278	S	5/2004	Welsh
6,729,472	B2	5/2004	Stucke et al.
6,761,041	B2	7/2004	Roth et al.
6,796,430	B2	9/2004	Mercier et al.
6,874,650	B2	4/2005	Welsh et al.
6,886,694	B2	5/2005	McNeeley et al.
D505,835	S	6/2005	Schultz et al.
D505,839	S	6/2005	Stanos et al.
D505,840	S	6/2005	Schultz et al.
D506,106	S	6/2005	Ordiway et al.
D506,359	S	6/2005	Zettle et al.
6,910,599	B2	6/2005	Tucker et al.
D507,155	S	7/2005	Gosen et al.
D507,937	S	8/2005	Dais et al.
D508,187	S	8/2005	Dais et al.
D508,188	S	8/2005	Zettle et al.
D511,435	S	11/2005	Roth et al.
D512,278	S	12/2005	Schultz et al.
D514,390	S	2/2006	Palder
D516,859	S	3/2006	Zettle et al.
7,017,775	B2	3/2006	Zettle et al.
7,032,773	B2	4/2006	Dees et al.
D522,319	S	6/2006	Palder
7,063,231	B2	6/2006	Stanos et al.
D526,161	S	8/2006	Roth et al.
D527,224	S	8/2006	Roth et al.
D527,951	S	9/2006	Roth et al.
D527,952	S	9/2006	Roth et al.
D527,954	S	9/2006	Roth
D536,922	S	2/2007	Roth et al.
D536,923	S	2/2007	Roth et al.
D542,100	S	5/2007	Kim
7,216,769	B2	5/2007	Palder
D545,618	S	7/2007	Zettle et al.
D547,177	S	7/2007	Sherman et al.
D548,538	S	8/2007	Liu
7,261,219	B2	8/2007	Tucker et al.
D551,496	S	9/2007	Ablo et al.
7,264,135	B2	9/2007	Savicki et al.
D555,475	S	11/2007	Enriquez et al.
D556,517	S	12/2007	Lown et al.
7,347,327	B2	3/2008	Lobman et al.
7,357,272	B2	4/2008	Maxwell
D568,693	S	5/2008	Furlong
D568,694	S	5/2008	Furlong
D569,722	S	5/2008	Stamper et al.
7,380,412	B2	6/2008	Roth et al.
D575,100	S	8/2008	Liu
7,451,875	B1	11/2008	Norris
D585,699	S	2/2009	Furlong
D586,179	S	2/2009	Furlong
D588,417	S	3/2009	Doliwa
D589,759	S	4/2009	Ozery et al.
7,549,540	B2	6/2009	Lee et al.
D603,697	S	11/2009	Edwards et al.
D606,812	S	12/2009	Wu
7,661,528	B2	2/2010	Vovan et al.
D611,807	S	3/2010	Miga, Jr.
D613,111	S	4/2010	Furlong
D615,349	S	5/2010	Furlong
D618,516	S	6/2010	DiPietro et al.
7,726,483	B2	6/2010	Ramanujam et al.
7,735,674	B2	6/2010	Cai
D631,300	S	1/2011	Samartgis
7,866,502	B2	1/2011	Maxwell
D642,861	S	8/2011	Samartgis
D643,712	S	8/2011	Samartgis
8,006,513	B2	8/2011	Roth et al.
8,011,205	B2	9/2011	Roth et al.
8,074,830	B2	12/2011	Pomfrey
8,083,084	B2	12/2011	Vovan

(56)

References Cited

U.S. PATENT DOCUMENTS

8,083,095 B2 12/2011 Hui
 8,118,190 B2 2/2012 Coonce
 8,123,064 B2 2/2012 Vovan
 8,146,766 B2 4/2012 Vovan et al.
 8,157,123 B2 4/2012 Tucker et al.
 8,308,021 B2 11/2012 Turvey et al.
 8,322,530 B2 12/2012 Furlong
 8,381,909 B2 2/2013 Hernandez et al.
 D677,568 S 3/2013 Sina
 D711,220 S * 8/2014 Tyberghein D7/629
 D719,399 S 12/2014 Thurin et al.
 D720,178 S 12/2014 Thurin et al.
 D721,246 S 1/2015 Thurin et al.
 D723,864 S 3/2015 Thurin et al.
 D723,914 S 3/2015 Singh et al.
 D724,891 S 3/2015 Capraro et al.
 D725,433 S 3/2015 Singh et al.
 D741,171 S 10/2015 Thurin et al.
 D753,992 S * 4/2016 Shiffer D9/425
 D759,478 S 6/2016 Fife et al.
 D772,058 S 11/2016 Urushidani
 D780,573 S * 3/2017 Son D9/425
 D787,275 S 5/2017 Carlson
 D792,759 S * 7/2017 Foster D7/602
 D792,760 S * 7/2017 Foster D7/602
 D797,552 S * 9/2017 Thurin D9/432
 D808,794 S * 1/2018 Yessin D9/425
 2004/0144781 A1 7/2004 Dees et al.
 2006/0011626 A1 1/2006 Palder
 2006/0070907 A1 4/2006 O'Shea
 2007/0007298 A1 1/2007 Tucker et al.
 2007/0119743 A1 5/2007 Tucker et al.
 2007/0187277 A1 8/2007 Furlong
 2008/0105630 A1 5/2008 Lown
 2008/0203096 A1 8/2008 Maxwell

2009/0084796 A1 4/2009 Coonce et al.
 2009/0145797 A1 6/2009 Steinmeyer
 2009/0173656 A1 7/2009 Furlong
 2010/0006467 A1 1/2010 Joseph et al.
 2010/0065461 A1 3/2010 Chhay
 2010/0170824 A1 7/2010 Ramanujam et al.
 2010/0176022 A1 7/2010 Furlong
 2010/0181323 A1 7/2010 Thaler et al.
 2010/0200588 A1 8/2010 Bergman et al.
 2011/0031153 A1 2/2011 Vovan
 2011/0114638 A1 5/2011 Kettner et al.
 2011/0139660 A1 * 6/2011 Cabell B29C 51/162
 206/459.5
 2011/0309075 A1 12/2011 Roth et al.
 2011/0315702 A1 12/2011 LeBoeuf et al.
 2012/0006837 A1 1/2012 Becklin
 2012/0048874 A1 3/2012 Oakes et al.
 2013/0075295 A1 * 3/2013 Sina B65D 43/0208
 206/459.5
 2014/0069925 A1 * 3/2014 Hwang B65D 45/22
 220/315
 2014/0374472 A1 * 12/2014 Treccani B29C 51/08
 229/407
 2015/0021321 A1 1/2015 Gosen et al.
 2015/0232242 A1 * 8/2015 Carlson B65D 51/245
 220/367.1

OTHER PUBLICATIONS

LunchBlox™ Sandwich Kit, <http://www.rubbermaid.com/category/pages/productdetail.aspx?Prod_ID=RP092026>, accessed Jan. 25, 2013.
 Play With Your Food: Lego Bento Box, <<http://kawaii-fabric.com/tag/fun-bento-boxes/>>, accessed Jan. 25, 2013.
 Set of 5 Stackable Containers, <<http://www.etsy.com/listing/50125726/set-5-of-stackable-containers>>, accessed Jan. 25, 2013.

* cited by examiner

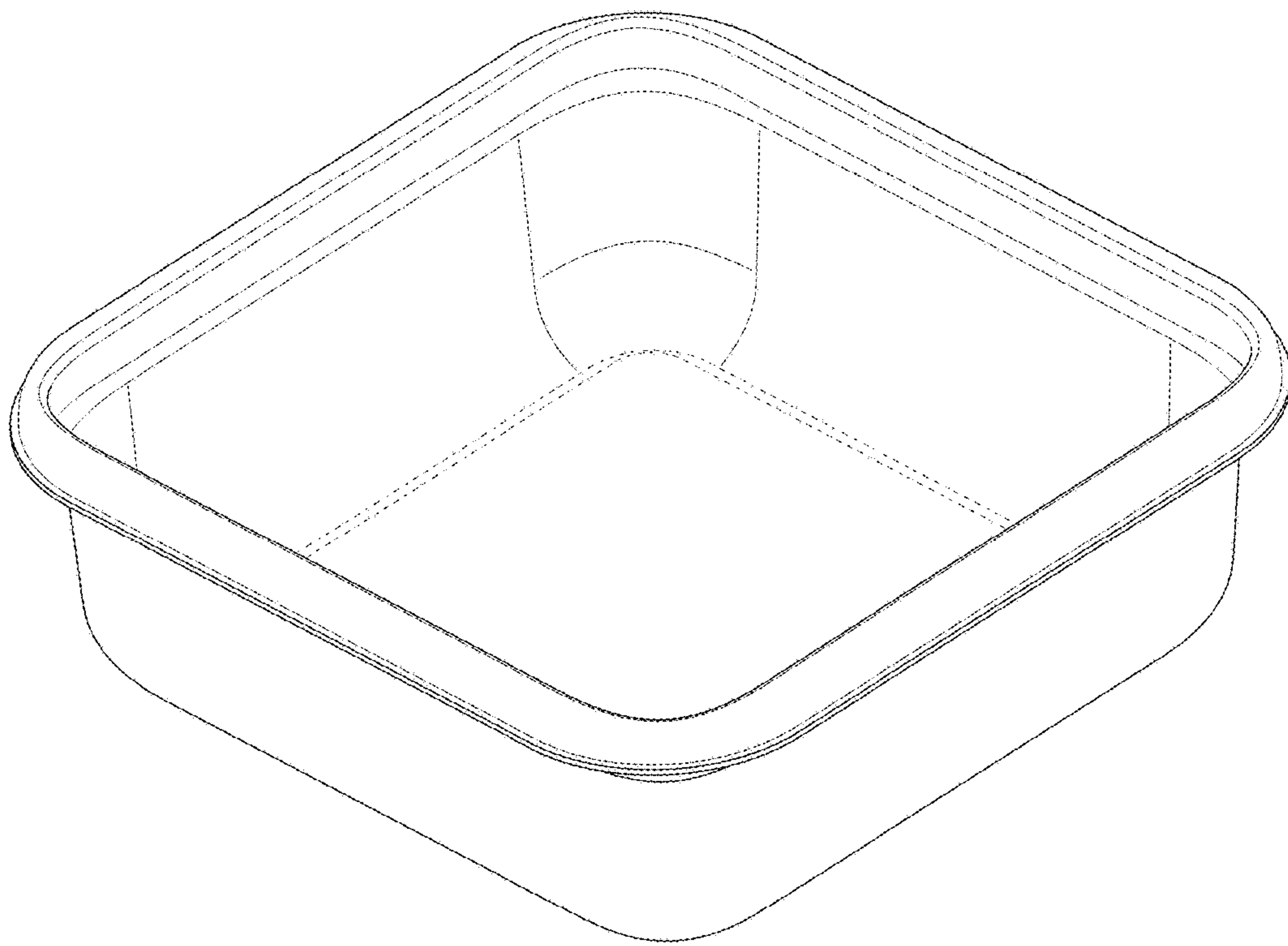


FIG. 1

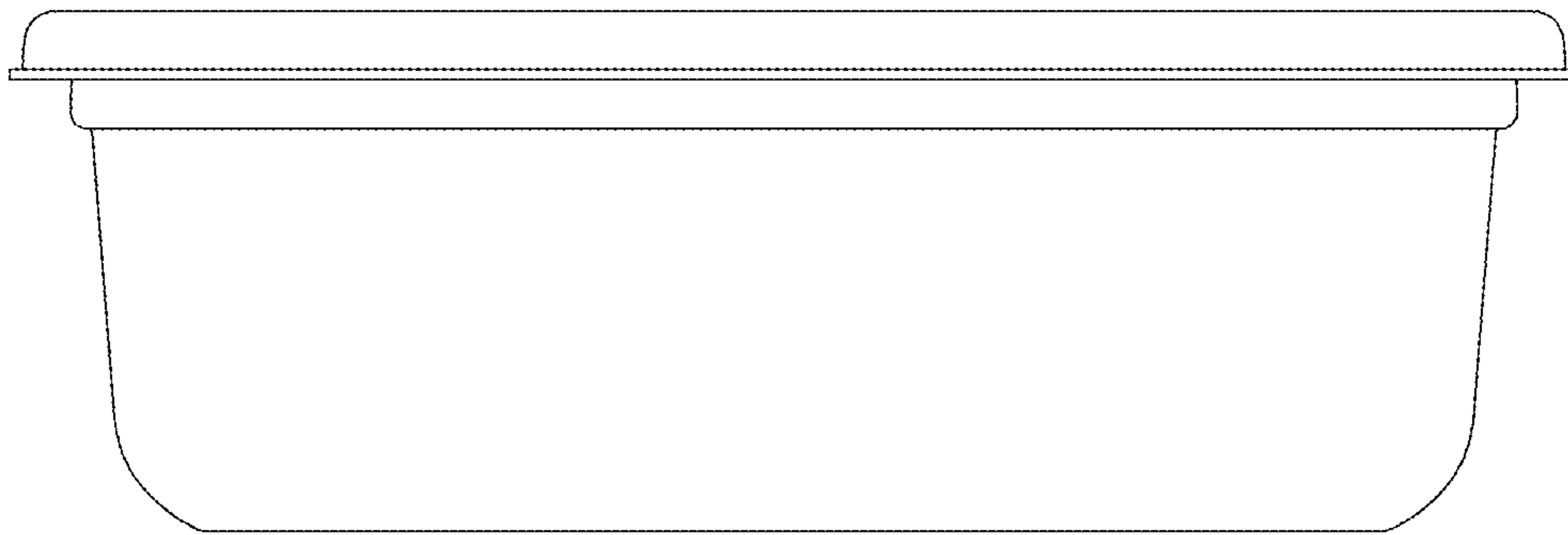


FIG. 2

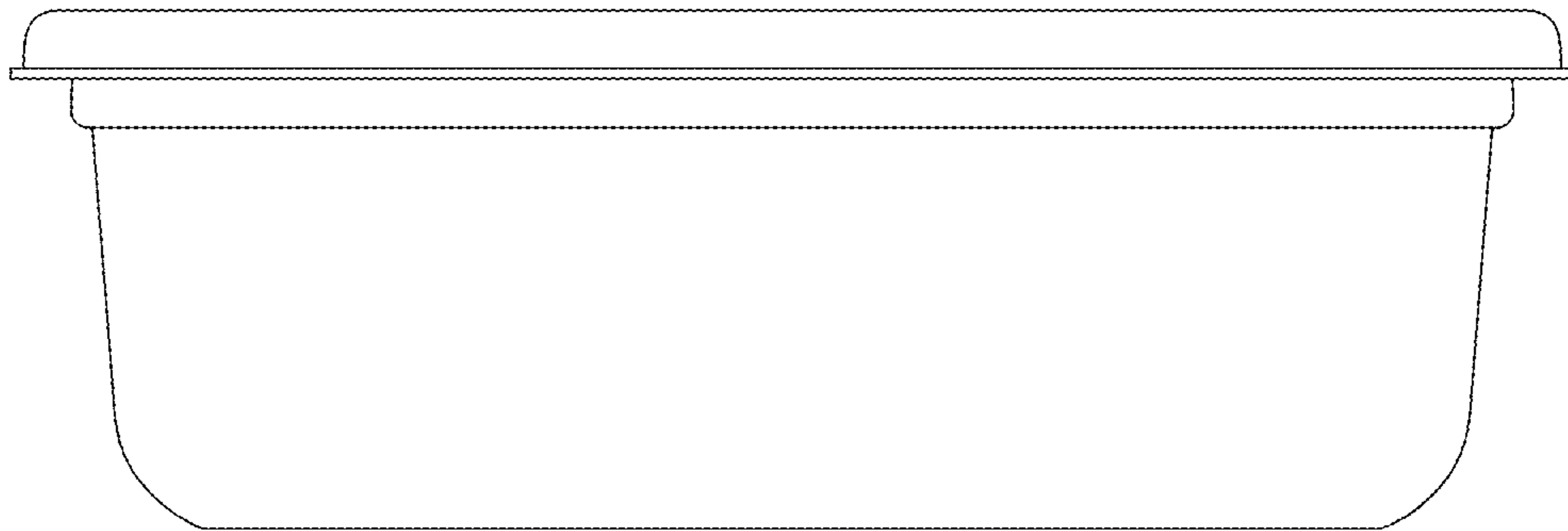


FIG. 3

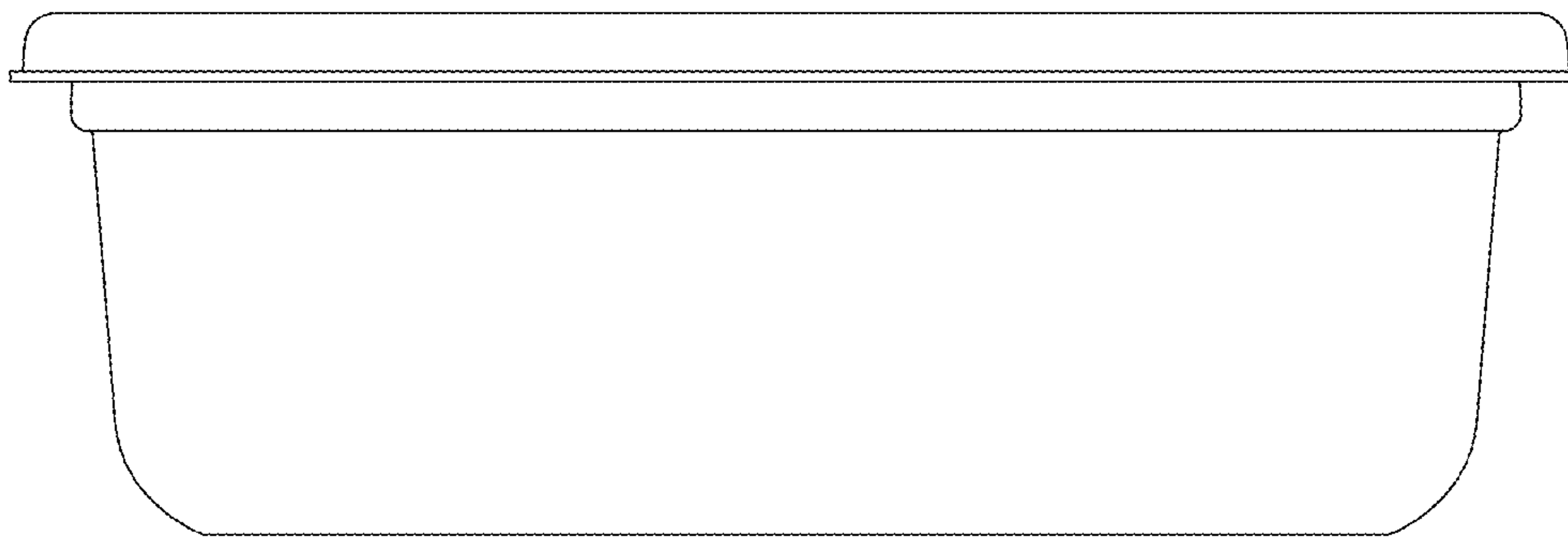


FIG. 4

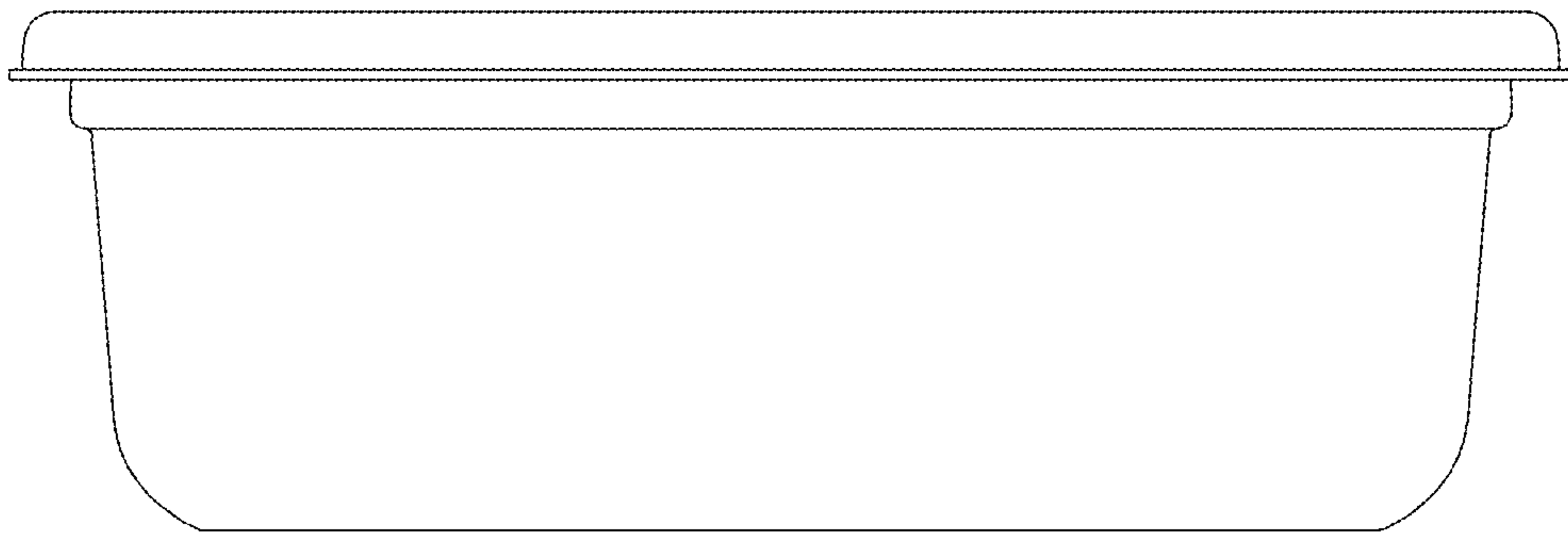


FIG. 5

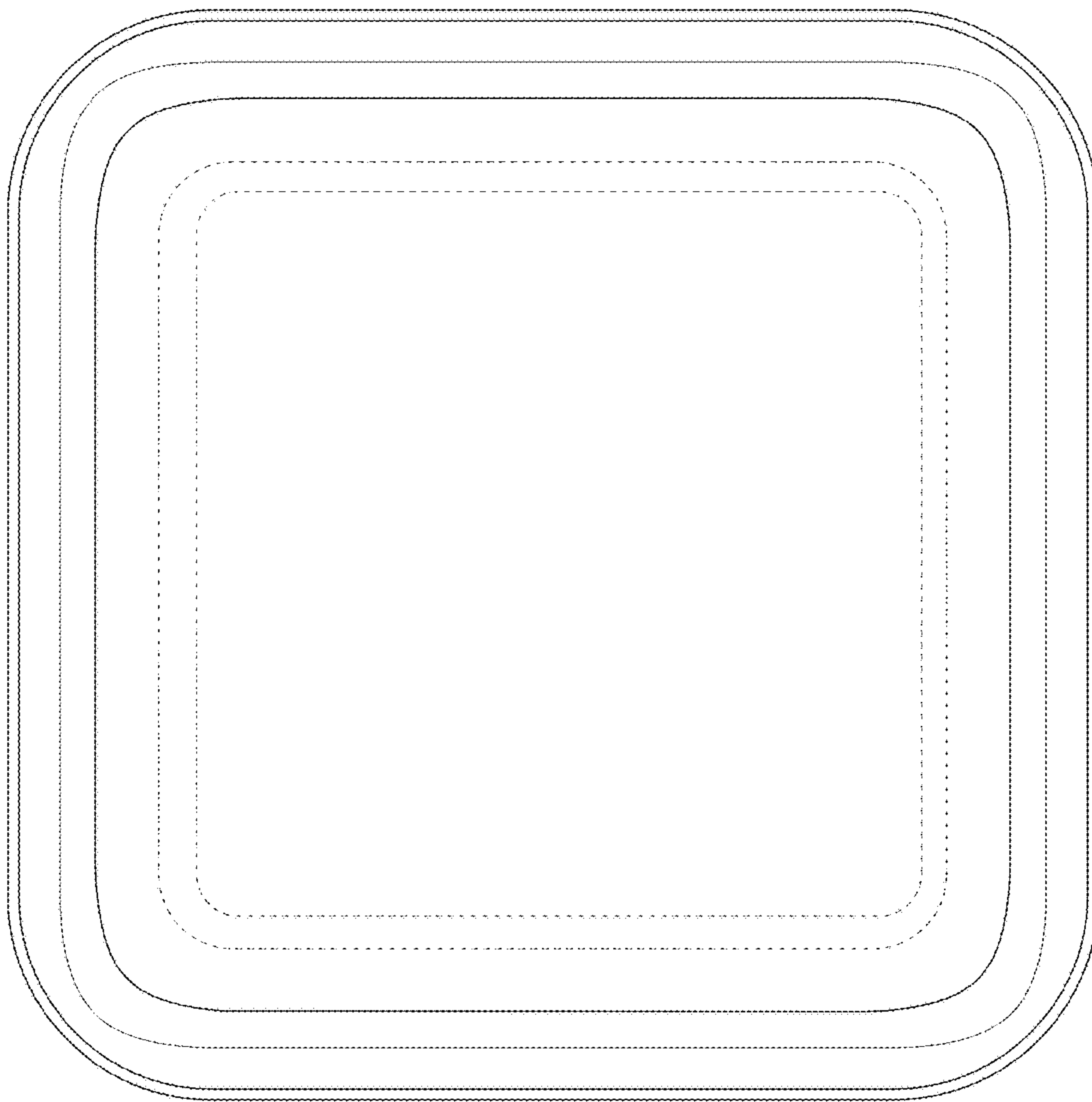


FIG. 6

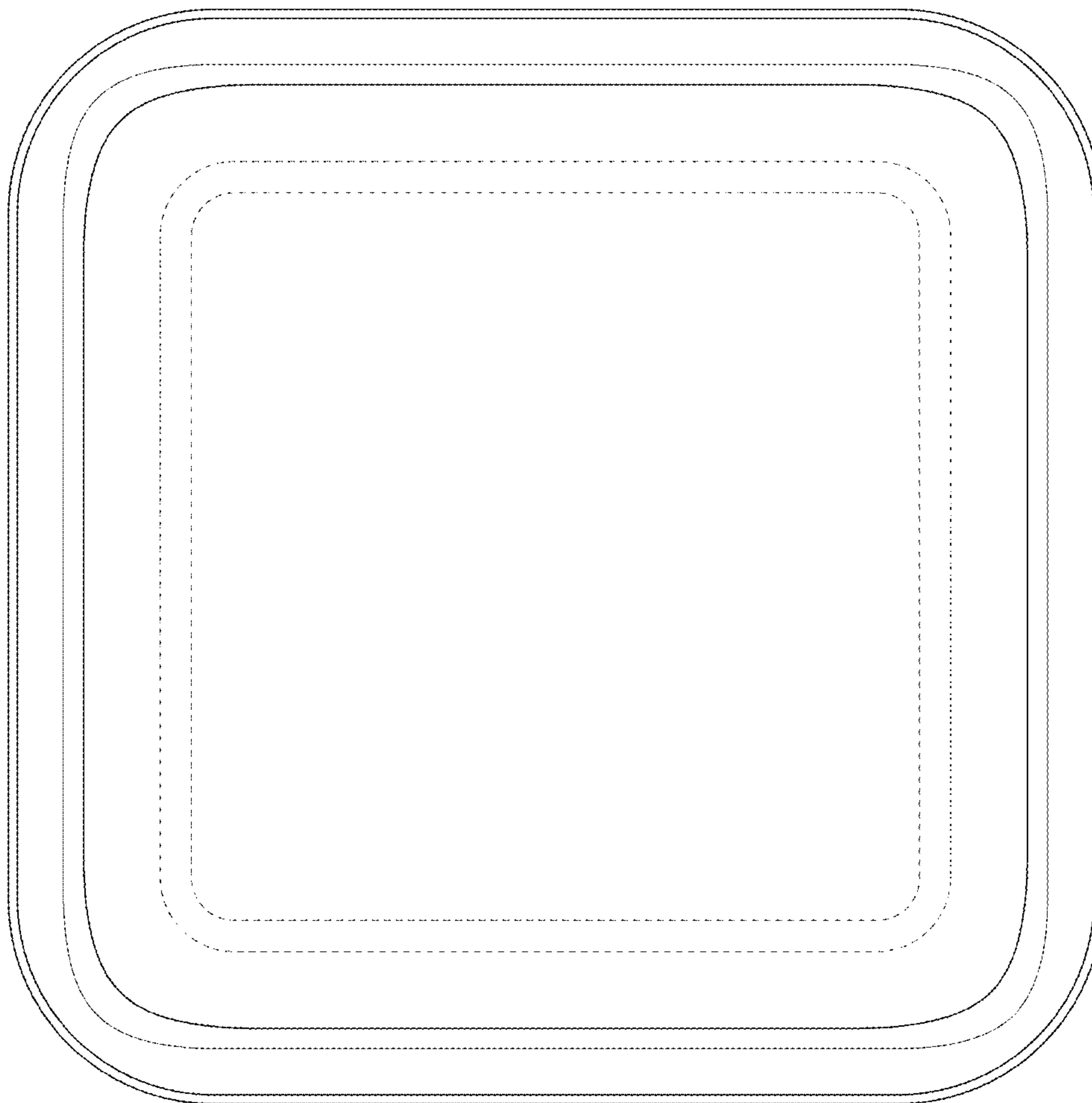


FIG. 7

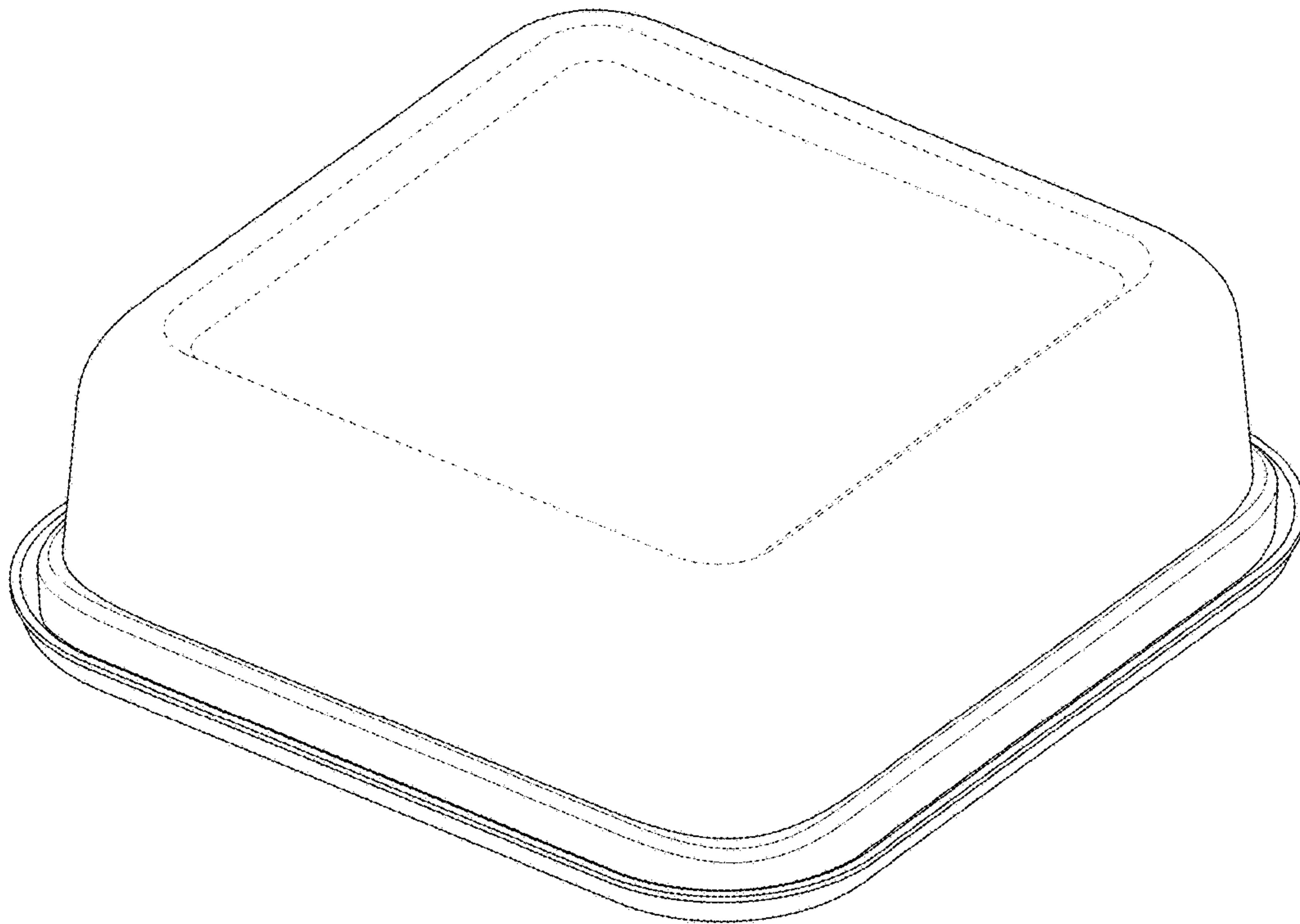


FIG. 8