



US00D829543S

(12) **United States Design Patent** (10) **Patent No.:** **US D829,543 S**  
**Coleman** (45) **Date of Patent:** **\*\* Oct. 2, 2018**

(54) **WEDGE-SHAPED CONTAINER**  
(71) Applicant: **Shawn A. Coleman**, Winnetka, CA (US)  
(72) Inventor: **Shawn A. Coleman**, Winnetka, CA (US)

4,016,995 A 4/1977 Frazer  
4,194,619 A 3/1980 Schley  
D273,563 S \* 4/1984 Jeans ..... D9/414  
4,798,323 A 1/1989 Platt  
D339,819 S \* 9/1993 Chen ..... D18/15  
5,564,240 A \* 10/1996 Dean, Jr. .... E01C 5/00  
47/33  
D406,759 S \* 3/1999 Lawrence ..... D9/416  
(Continued)

(\*\*) Term: **15 Years**

(21) Appl. No.: **29/596,418**

(22) Filed: **Mar. 8, 2017**

**Related U.S. Application Data**

(63) Continuation-in-part of application No. 15/085,656, filed on Mar. 30, 2016.

(51) **LOC (11) Cl.** ..... **09-03**

(52) **U.S. Cl.**  
USPC ..... **D9/417**

(58) **Field of Classification Search**  
USPC ..... D9/414-418, 424, 712, 420, 430, 431,  
D9/734, 526, 454, 434, 516, 529, 528,  
D9/560, 702; D3/203.2; D6/518;  
D24/113, 186; D30/155; D23/366;  
D7/584; 139/209; 47/33

CPC ..... B65D 25/44; E01C 5/00  
See application file for complete search history.

(56) **References Cited**

**U.S. PATENT DOCUMENTS**

2,071,847 A 2/1937 Leppke  
2,444,987 A 7/1948 Giessen  
2,452,969 A 11/1948 Victor  
2,602,540 A 7/1952 Hurst  
3,092,275 A 6/1963 Brunton et al.  
3,187,757 A 6/1965 Jones, Jr. et al.  
3,298,575 A \* 1/1967 Larsen ..... B65D 25/44  
137/209  
3,369,688 A 2/1968 Dike  
3,426,500 A 2/1969 Rupert  
3,876,131 A 4/1975 Tolaas

**FOREIGN PATENT DOCUMENTS**

EP 0440415 B1 11/1993

**OTHER PUBLICATIONS**

Vintage Plastic Stackable Rubermaid Containers, at www.Etsy.com, Printed Apr. 12, 2015; 2 pages.

*Primary Examiner* — Rhea Shields  
(74) *Attorney, Agent, or Firm* — David L. Hoffman;  
Hoffman Patent Group

(57) **CLAIM**

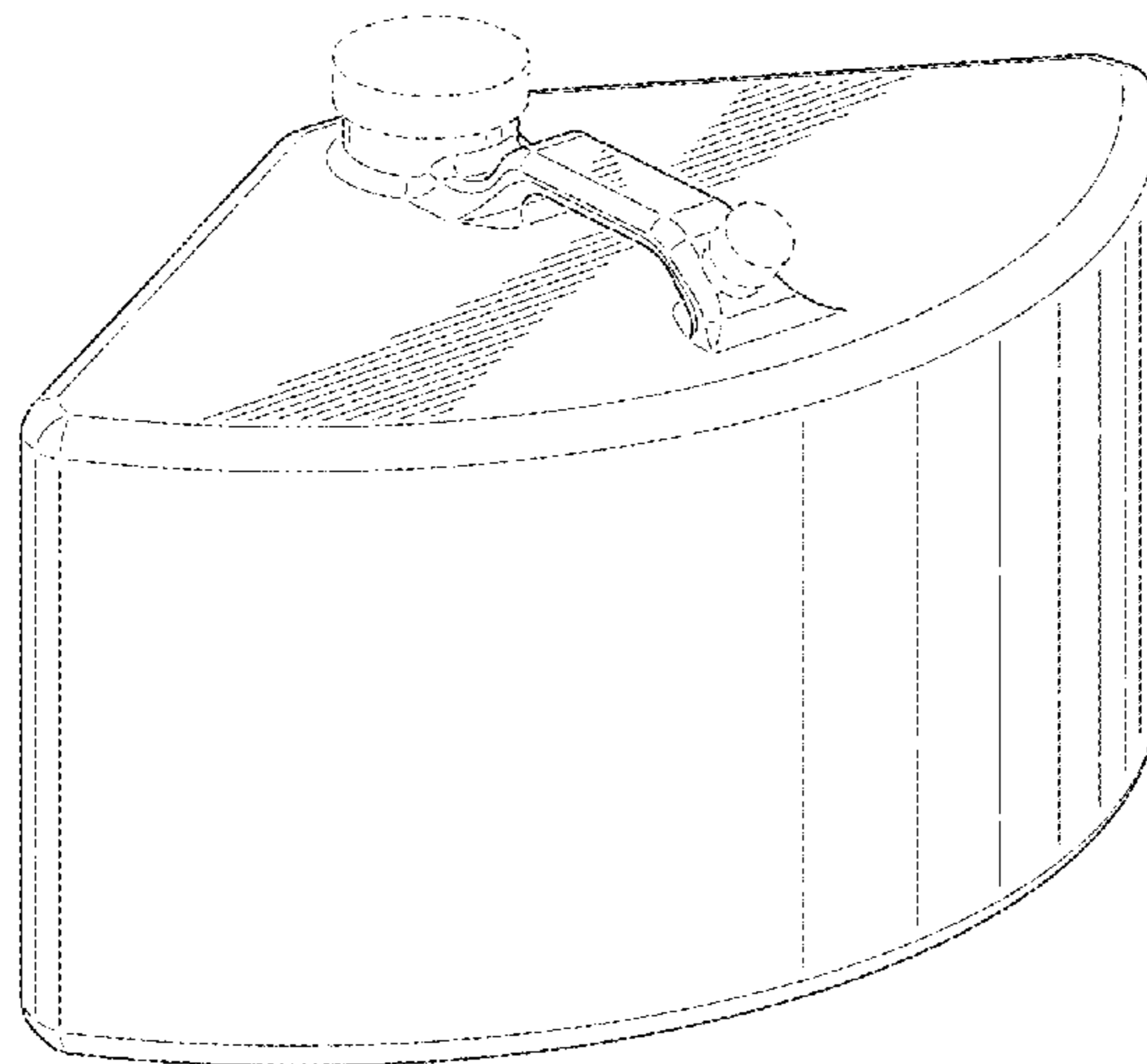
I claim the ornamental design for a wedge-shaped container, as shown and described herein.

**DESCRIPTION**

FIG. 1 is a top, rear perspective view of my wedge-shaped container;  
FIG. 2 is a front, bottom perspective view thereof;  
FIG. 3 is a rear elevation view thereof;  
FIG. 4 is a front elevation view thereof;  
FIG. 5 is a right side elevation view thereof;  
FIG. 6 is a left side elevation view thereof;  
FIG. 7 is a top view thereof; and,  
FIG. 8 is a bottom view thereof.

In the drawings, the broken lines are for the purpose of illustrating environment only and form no part of the claimed design.

**1 Claim, 4 Drawing Sheets**



(56)

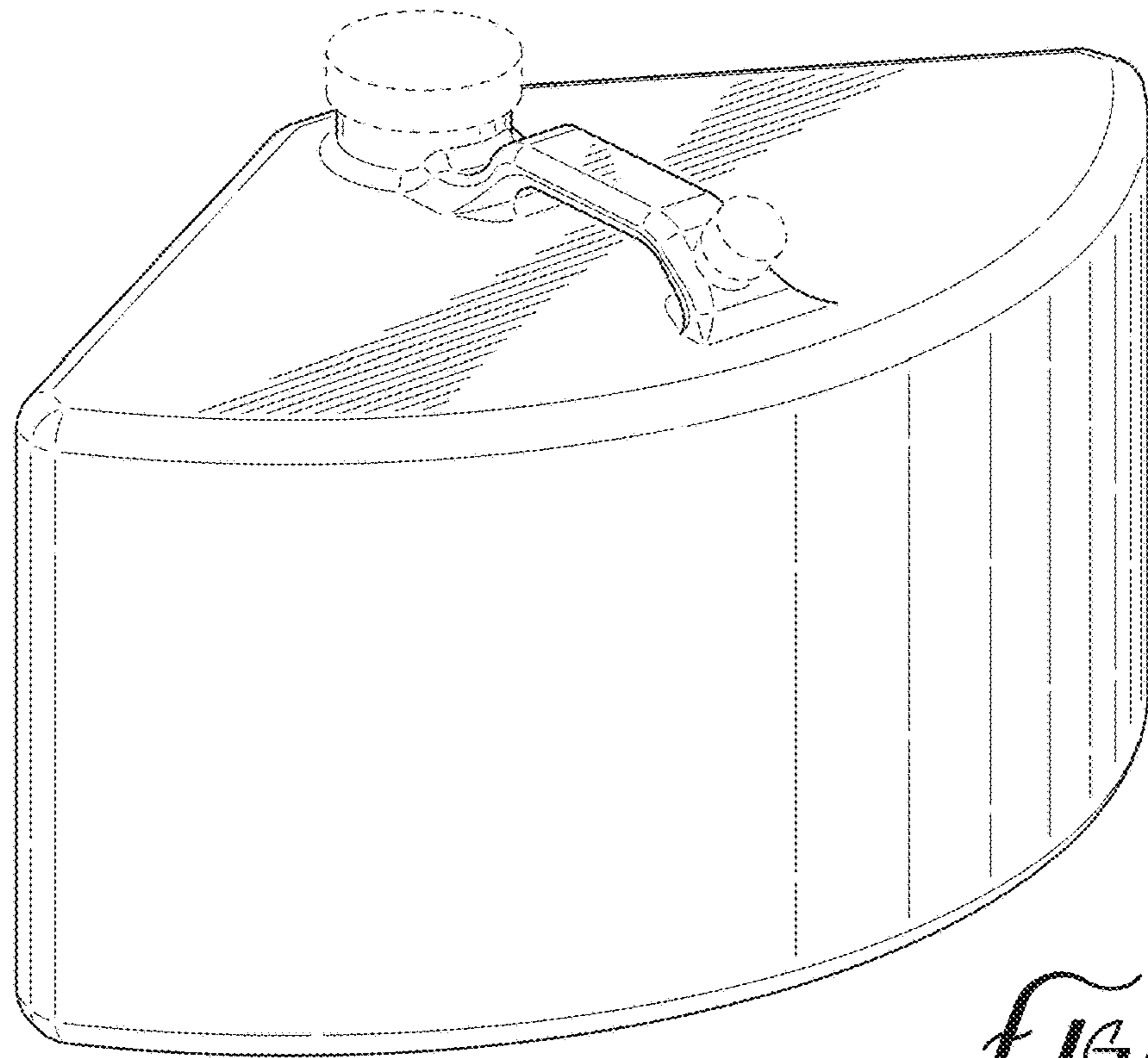
References Cited

U.S. PATENT DOCUMENTS

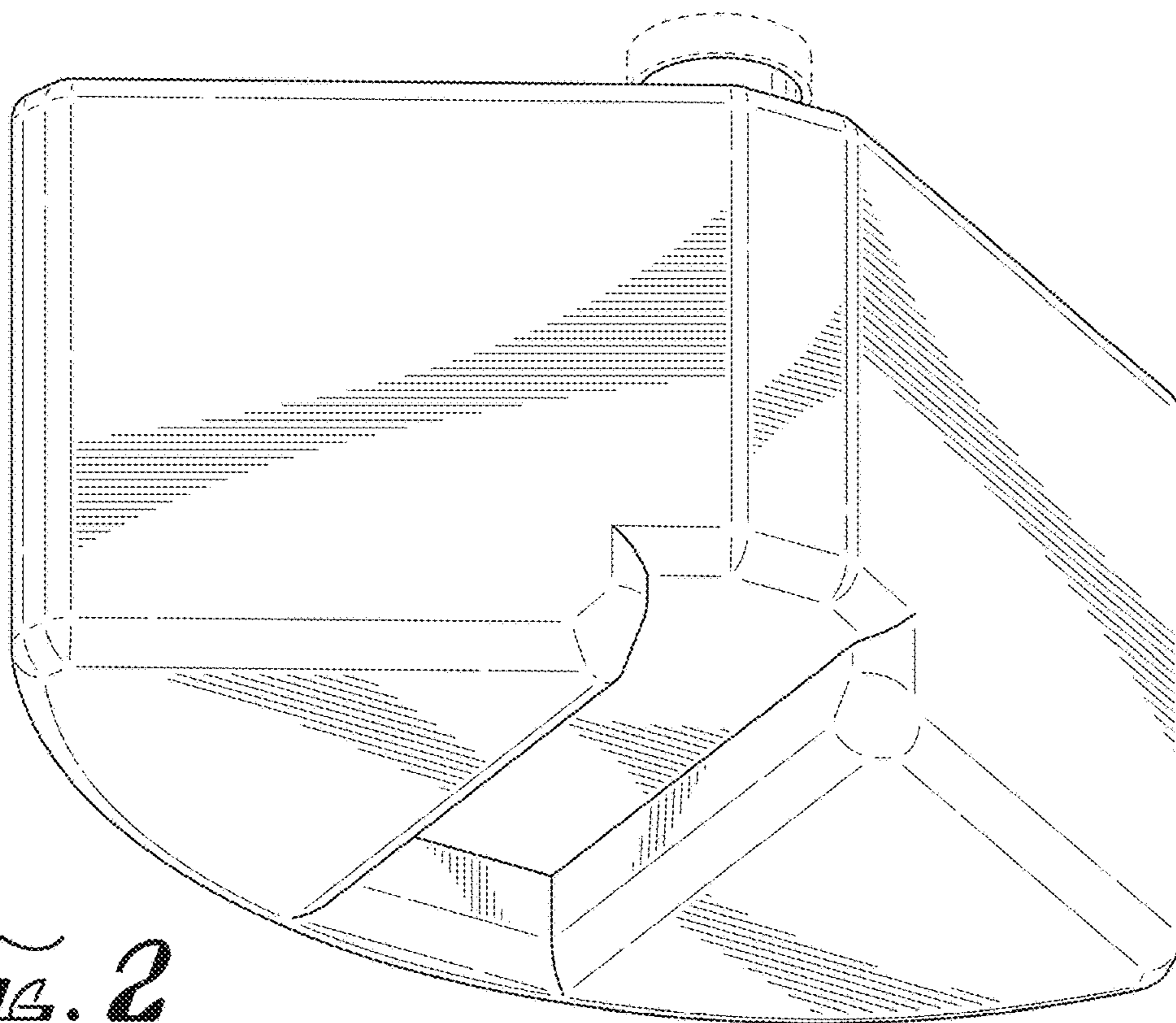
D407,020 S 3/1999 Doty  
 6,029,828 A 2/2000 Robbins et al.  
 6,131,772 A 10/2000 Robbins et al.  
 D447,944 S 9/2001 Justice  
 D476,886 S \* 7/2003 Christianson ..... D3/203.2  
 D531,514 S \* 11/2006 Harris ..... D9/560  
 D534,387 S \* 1/2007 Sab ..... D6/518  
 D541,110 S \* 4/2007 Wasserman ..... D7/584  
 D552,739 S \* 10/2007 Green ..... D24/186  
 D556,054 S \* 11/2007 Stephens ..... D9/734  
 D578,021 S \* 10/2008 Reinsel ..... D9/734  
 D585,297 S 1/2009 Nielsen  
 D591,172 S 4/2009 Keberlein et al.  
 D623,959 S \* 9/2010 Frohwein ..... D9/414  
 D638,534 S \* 5/2011 Moga ..... D24/113  
 7,988,005 B2 8/2011 Wagner  
 D653,548 S \* 2/2012 Wycoff ..... D9/528  
 D661,195 S \* 6/2012 Chatterjee ..... D9/516

D670,043 S \* 10/2012 Goldman ..... D30/155  
 D671,832 S \* 12/2012 Rutherford ..... D9/418  
 D672,233 S \* 12/2012 Green ..... D9/431  
 D684,042 S \* 6/2013 Betzig ..... D9/420  
 D705,055 S \* 5/2014 Donaldson ..... D9/434  
 D707,550 S \* 6/2014 Limback ..... D9/424  
 D711,237 S \* 8/2014 Fleischhacker ..... D9/526  
 D747,922 S \* 1/2016 Borovicka ..... D7/402  
 D755,057 S \* 5/2016 Mutter ..... D9/529  
 D756,227 S \* 5/2016 Goswell ..... D9/454  
 D764,278 S \* 8/2016 Tulin ..... D9/430  
 D764,905 S \* 8/2016 Banerjee ..... D9/420  
 D771,501 S \* 11/2016 Manfredonia ..... D9/712  
 D800,287 S \* 10/2017 Sevy ..... D23/366  
 D814,312 S \* 4/2018 Lemcke ..... D9/702  
 D817,756 S \* 5/2018 Montarras ..... D9/424  
 D821,864 S \* 7/2018 Block ..... D9/416  
 2007/0114200 A1 5/2007 Lane  
 2007/0157570 A1 7/2007 Reeves et al.  
 2010/0251940 A1 10/2010 Jones et al.

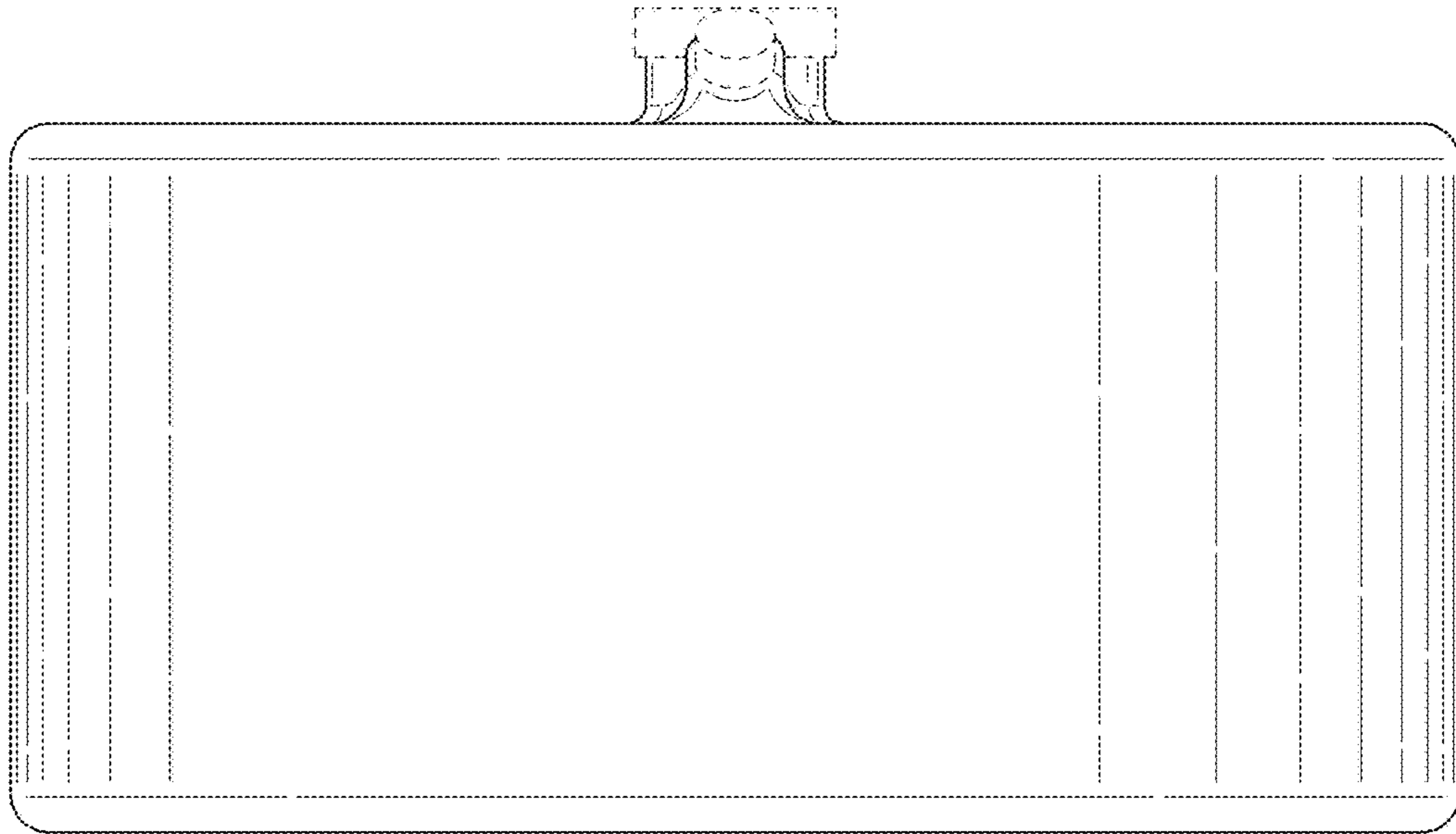
\* cited by examiner



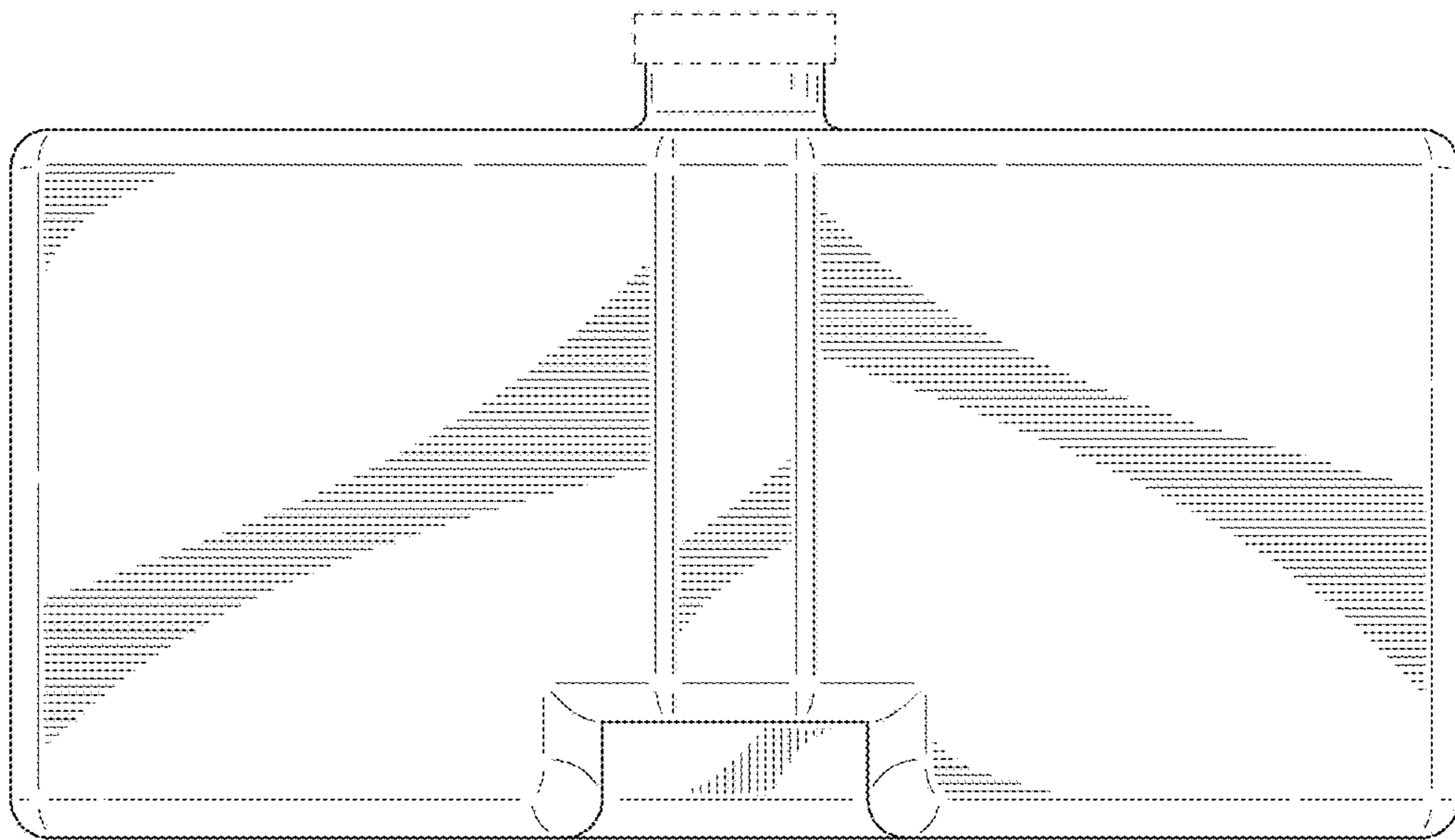
*FIG. 1*



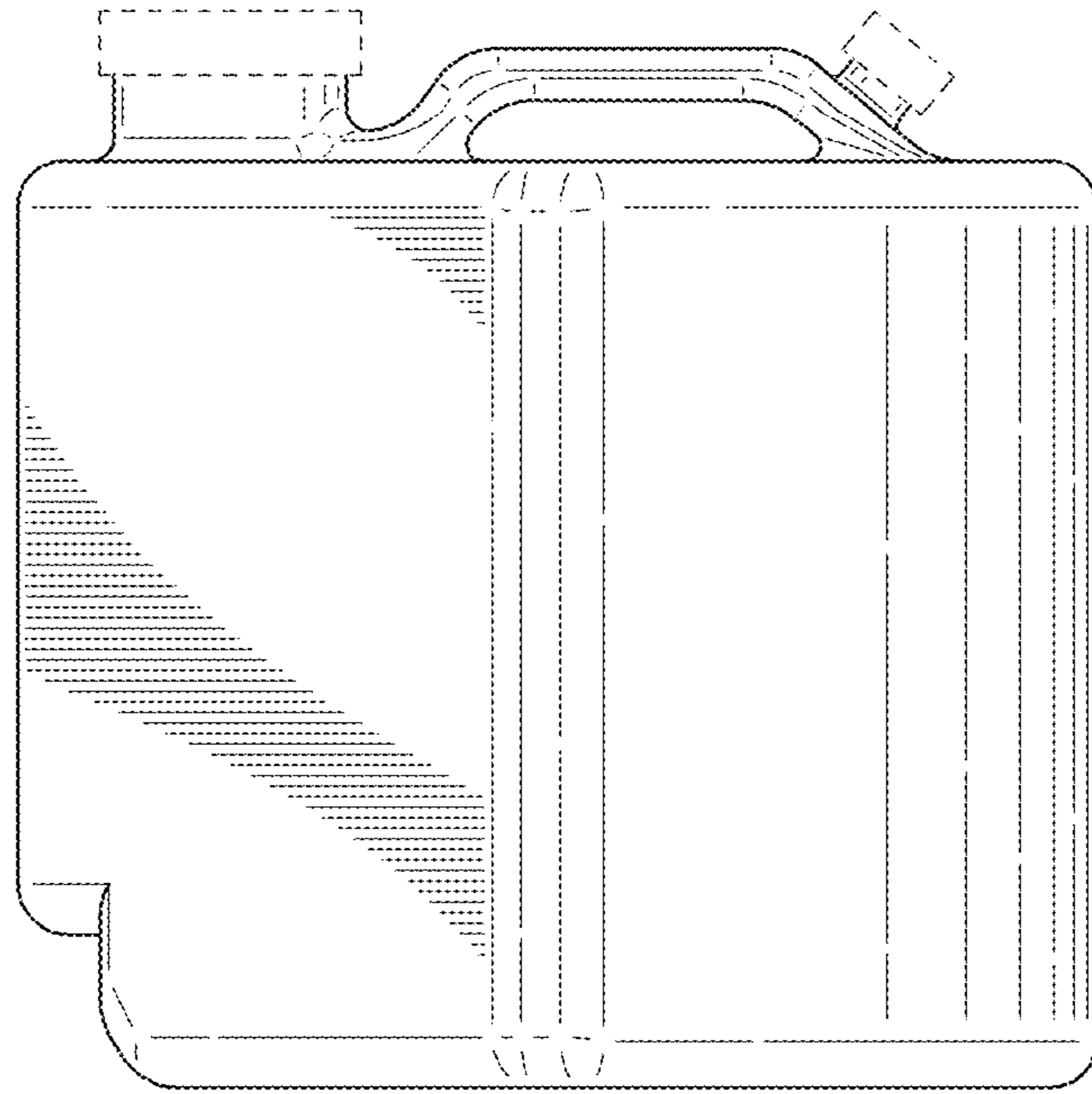
*FIG. 2*



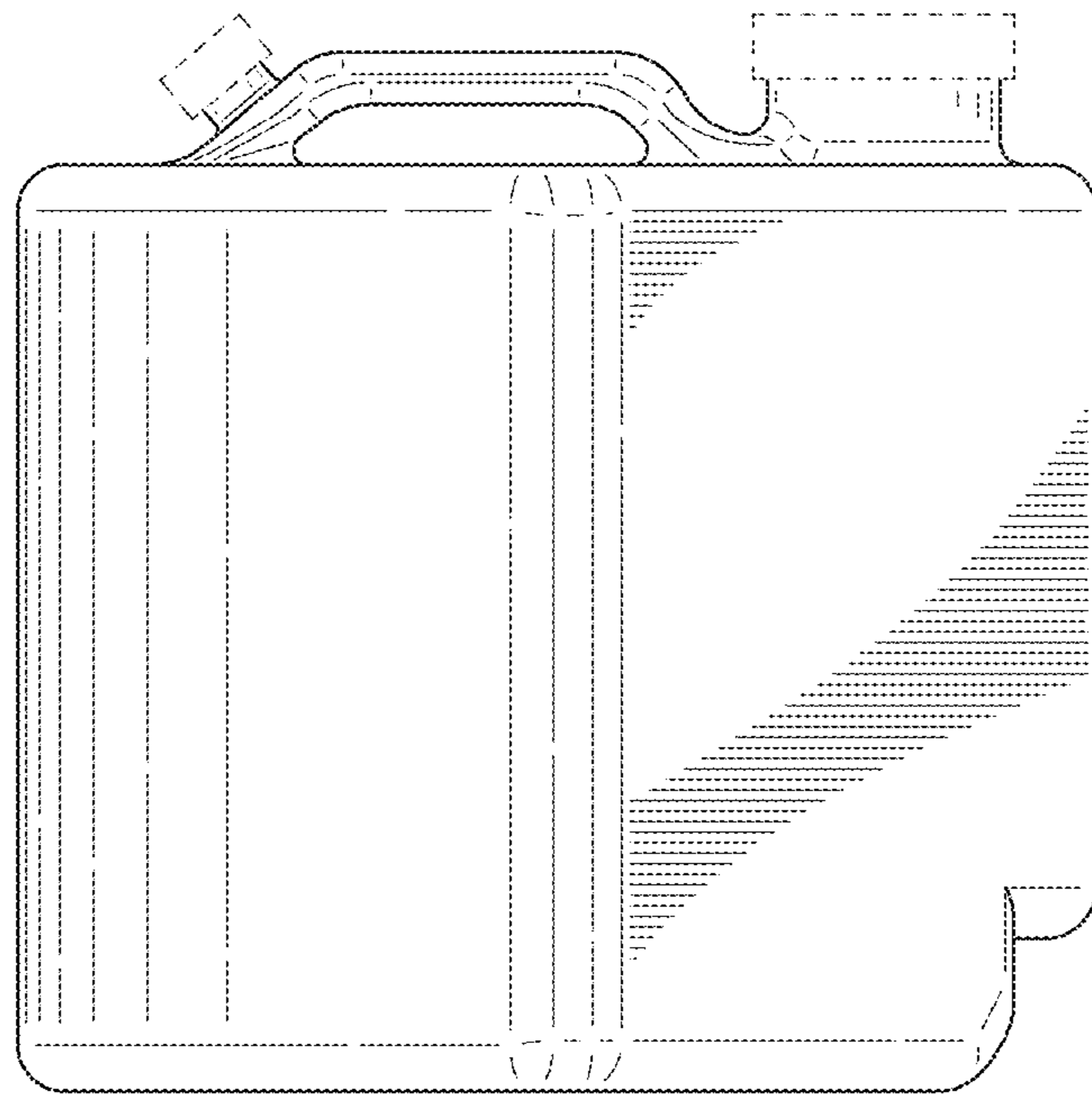
*FIG. 3*



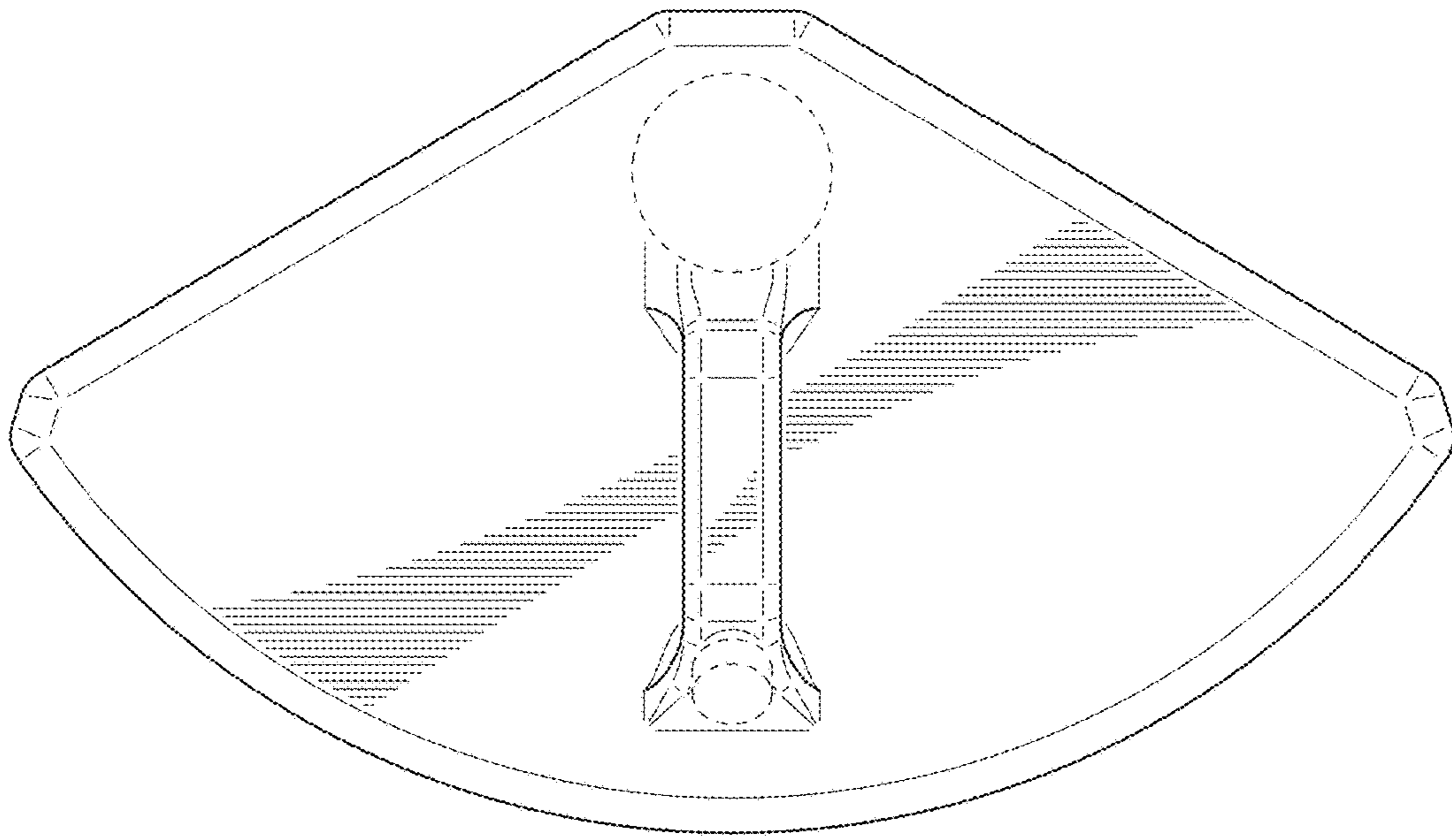
*FIG. 4*



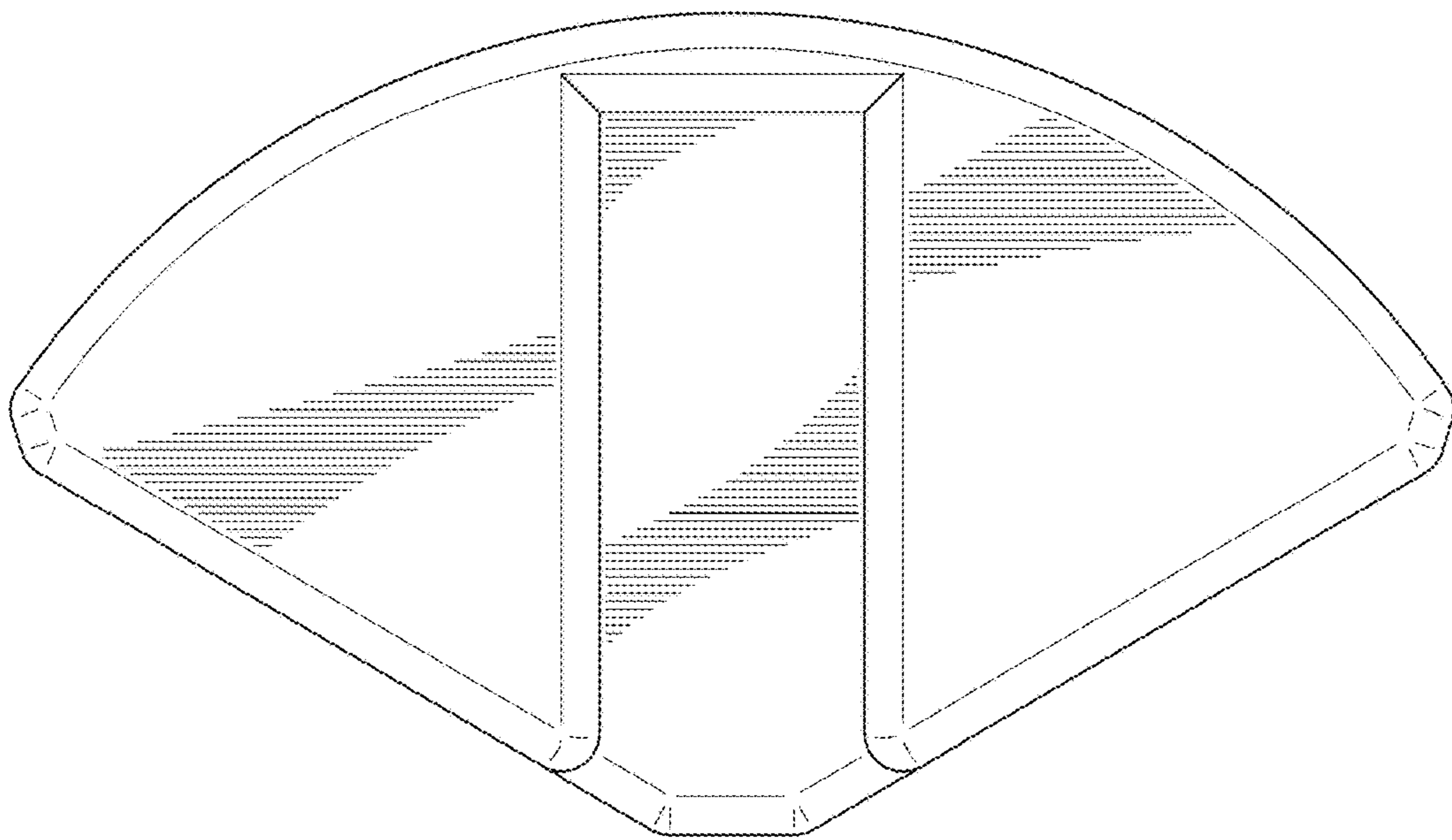
*FIG. 5*



*FIG. 6*



*FIG. 7*



*FIG. 8*