



US00D829541S

(12) **United States Design Patent** (10) **Patent No.:** **US D829,541 S**
Montgomery (45) **Date of Patent:** **** Oct. 2, 2018**

(54) **GARMENT CLIP**
(71) Applicant: **Monique Montgomery**, Apopka, FL (US)
(72) Inventor: **Monique Montgomery**, Apopka, FL (US)
(**) Term: **15 Years**
(21) Appl. No.: **29/568,373**
(22) Filed: **Jun. 17, 2016**

Related U.S. Application Data

(63) Continuation-in-part of application No. 14/604,817, filed on Jan. 26, 2015.
(51) **LOC (11) Cl.** **08-08**
(52) **U.S. Cl.**
USPC **D8/395**; D8/373; D6/326
(58) **Field of Classification Search**
USPC D8/394-395, 71-74, 499, 354, 355, 373;
D19/65; D11/164, 78.1; D32/35;
D6/326
CPC . D06F 55/00; A41B 3/08; A41F 15/02; F16B
19/1081; G09F 3/14; B42F 1/006; B42F
1/08; B42F 9/001; A47F 7/02
See application file for complete search history.

4,877,163 A 10/1989 Zimmerman
D307,833 S * 5/1990 Maki D32/64
4,927,063 A 5/1990 Fricano
5,335,399 A 8/1994 Chou
5,595,331 A 1/1997 Leistner
D393,797 S * 4/1998 Kostigian D32/64
6,196,386 B1 3/2001 Yates
6,457,615 B1 10/2002 Lam
D481,618 S * 11/2003 Felsenthal D8/373
D530,928 S 10/2006 Bowers
D547,171 S * 7/2007 Snell D8/395
D552,461 S * 10/2007 Oas D6/326
D619,451 S * 7/2010 Carlesso D16/237
D647,098 S * 10/2011 Busch D11/201
8,061,569 B2 11/2011 Sugita et al.
D708,938 S * 7/2014 Perlman D8/395
D715,631 S * 10/2014 Szymanski D8/395
D766,601 S * 9/2016 Barre D6/326
D807,162 S * 1/2018 Wolfe, Jr. D8/395
2007/0068979 A1 3/2007 Wu
2007/0251268 A1 11/2007 Gisser et al.
2012/0080459 A1 4/2012 Dy
2013/0313292 A1 11/2013 Alley et al.

(Continued)

Primary Examiner — John Windmuller
(74) *Attorney, Agent, or Firm* — Global Intellectual Property Agency, LLC; Jordan Sworen

(57) **CLAIM**

The ornamental design for a garment clip, as shown and described.

DESCRIPTION

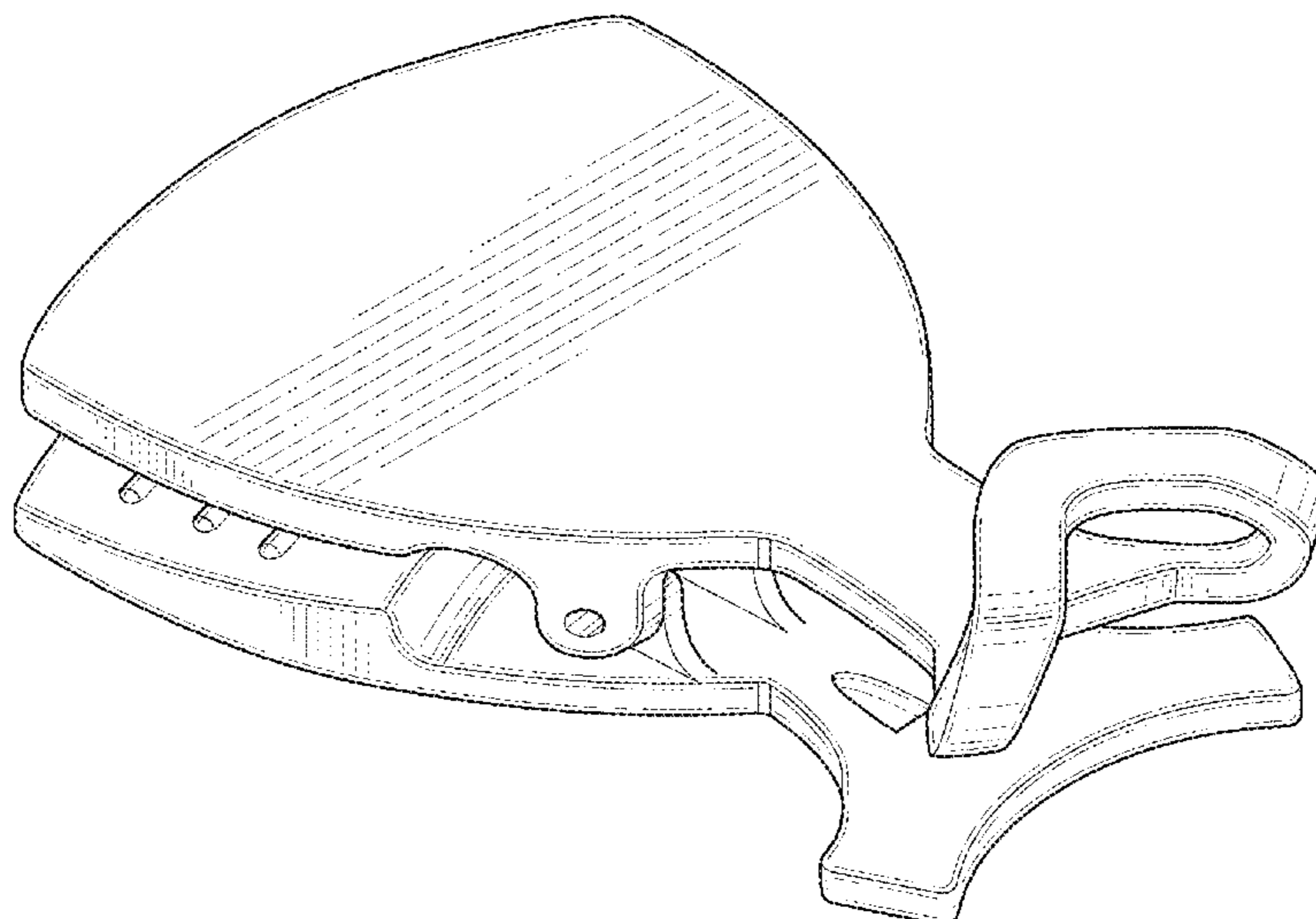
FIG. 1 shows a perspective view of a garment clip.
FIG. 2 shows a top plan view thereof.
FIG. 3 shows a bottom plan view thereof.
FIG. 4 shows a right side elevation view thereof.
FIG. 5 shows a left side elevation view thereof.
FIG. 6 shows a first end elevation view thereof; and,
FIG. 7 shows a second end elevation view thereof.

1 Claim, 5 Drawing Sheets

(56) **References Cited**

U.S. PATENT DOCUMENTS

825,369 A 7/1906 Wilson
1,570,451 A 1/1926 Simoneau
2,408,145 A 9/1946 Johnson
2,474,753 A 6/1949 Morton
D169,525 S * 5/1953 Whiting 273/150
4,005,510 A 2/1977 Noda
4,805,782 A 2/1989 Hale et al.
D303,862 S 10/1989 Henderson



(56)

References Cited

U.S. PATENT DOCUMENTS

2014/0374555 A1 * 12/2014 Sukman A47B 96/06
248/222.14

* cited by examiner

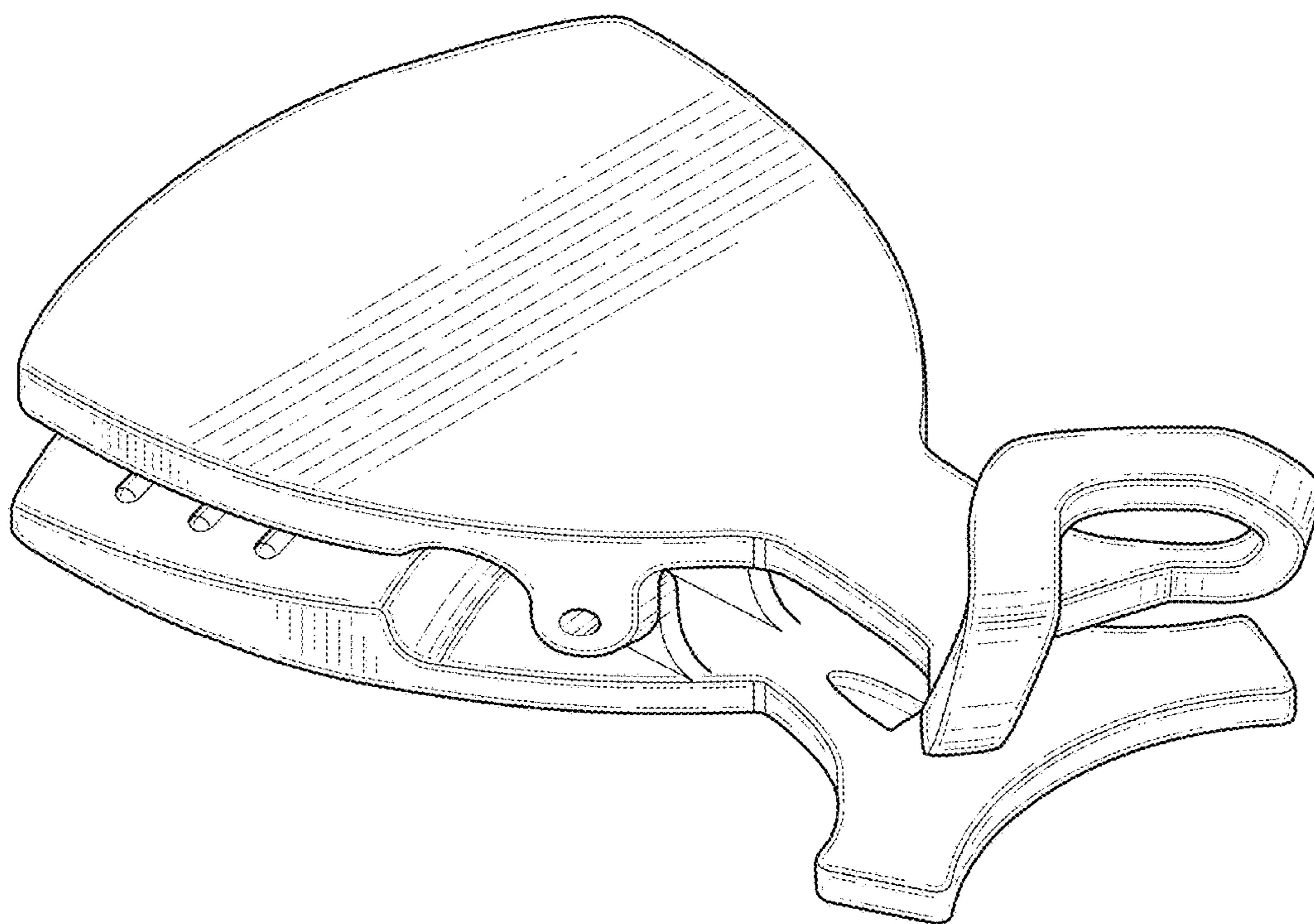


FIG. 1

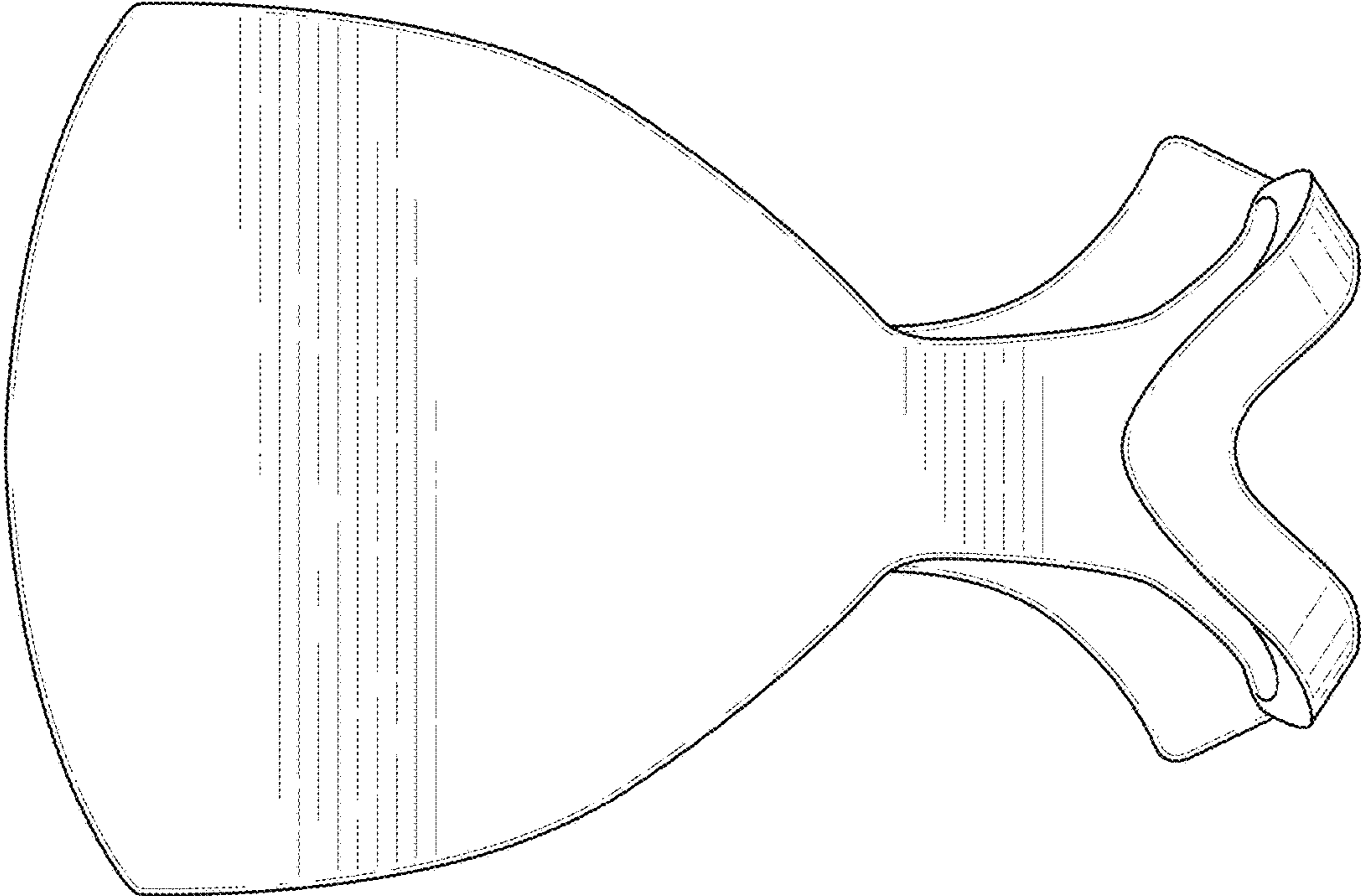


FIG. 2

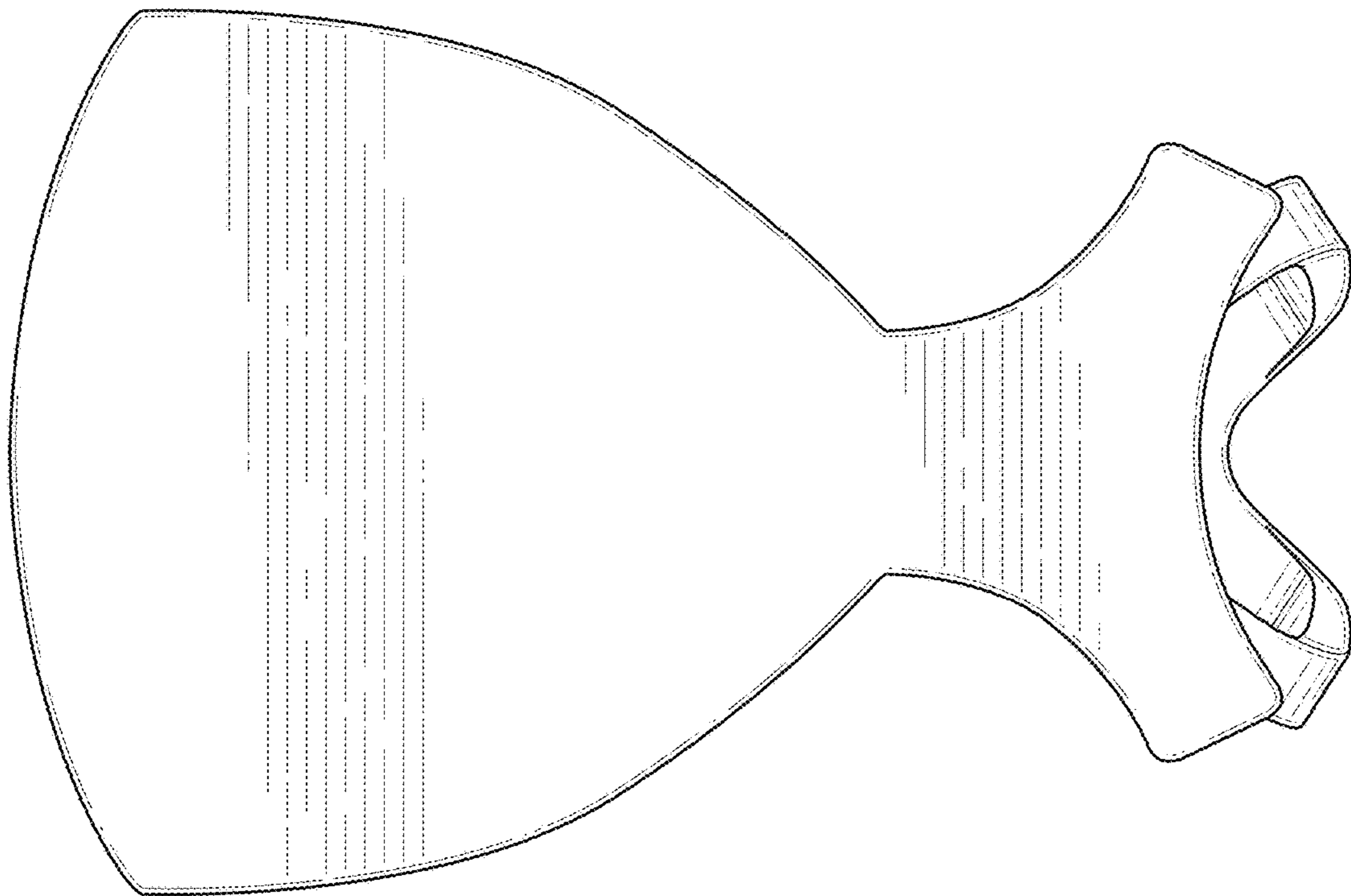


FIG. 3

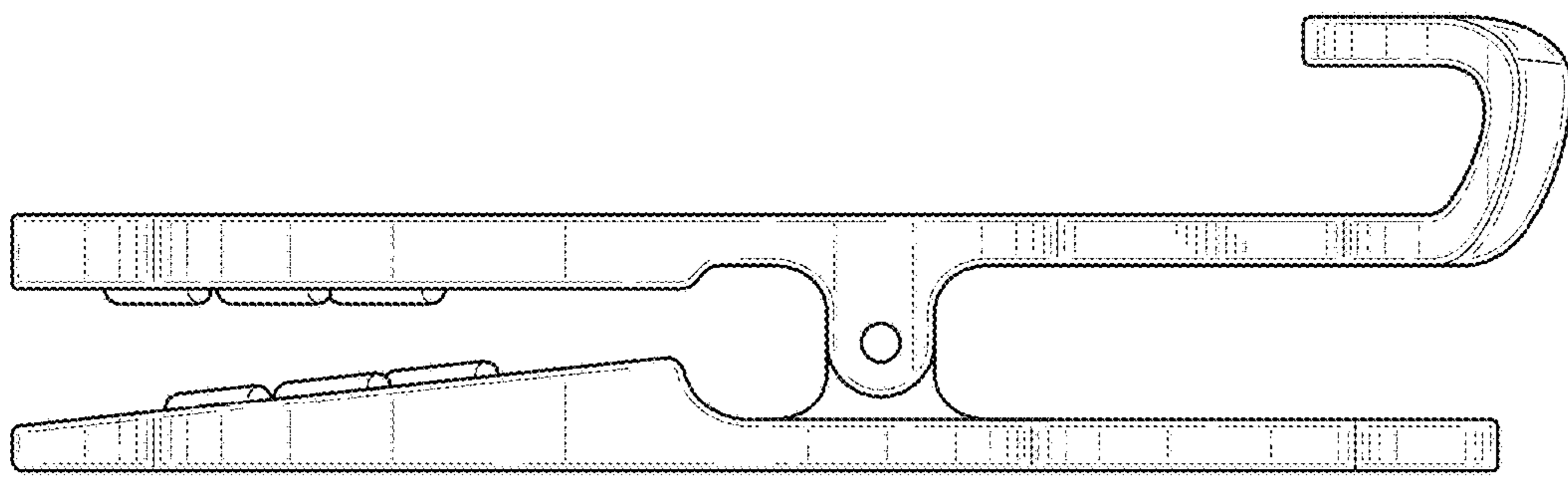


FIG. 4

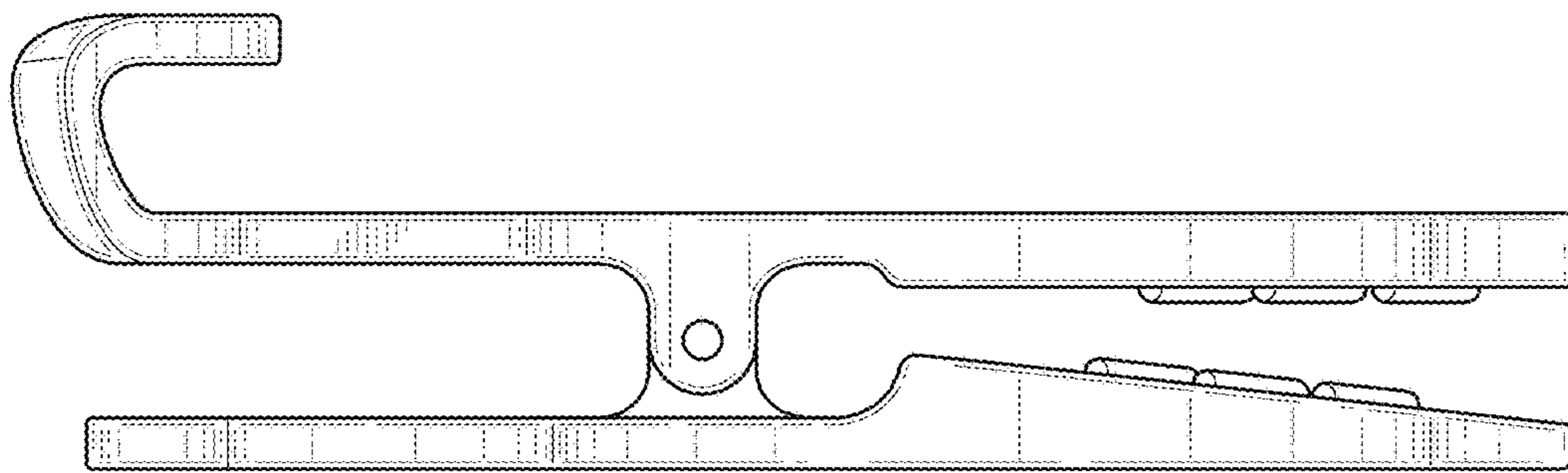


FIG. 5

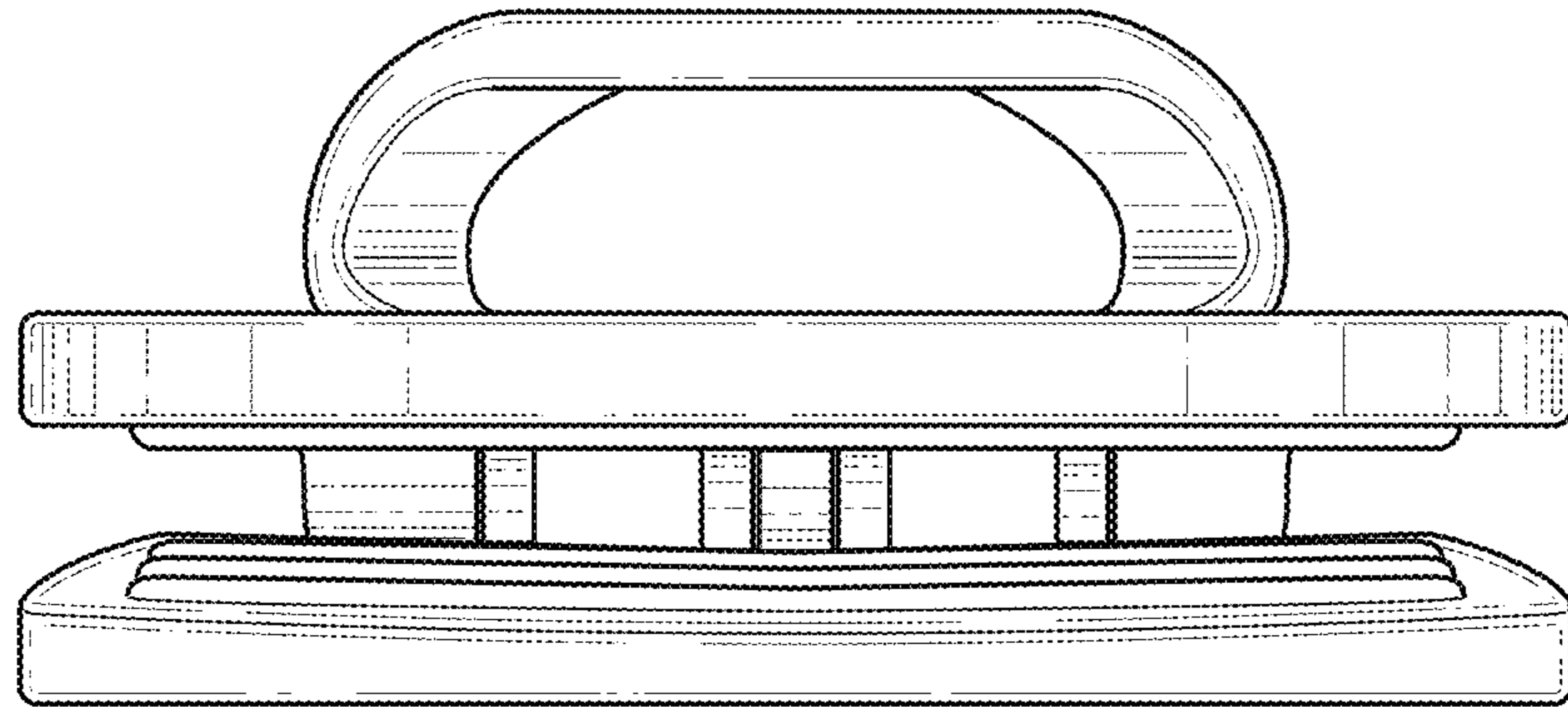


FIG. 6

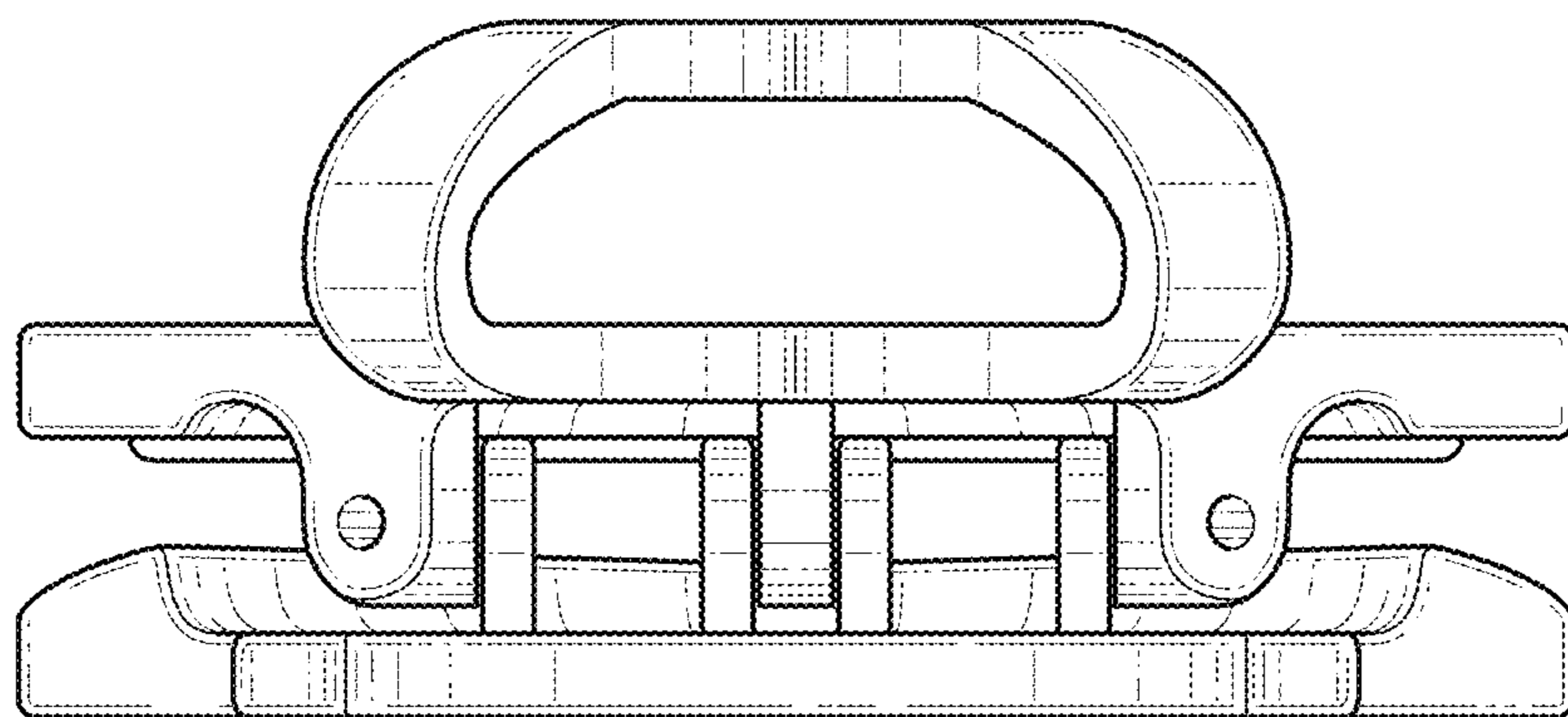


FIG. 7