



US00D829540S

(12) **United States Design Patent** (10) **Patent No.:** **US D829,540 S**
Gallion et al. (45) **Date of Patent:** **** Oct. 2, 2018**

(54) **BLIND HOLE MOUNT AND POST** 6,732,983 B1 * 5/2004 Blake F16L 3/1236
248/74.2

(71) Applicant: **Hellermann Tyton Corporation,** D507,481 S * 7/2005 Blake D8/356
Mulwaukee, WI (US) D522,852 S * 6/2006 Nawrocki D8/395
D600,543 S * 9/2009 Coles D8/395
D671,391 S * 11/2012 Komeno D8/356

(72) Inventors: **Justin Gallion,** Milwaukee, WI (US); D685,626 S * 7/2013 Komeno D8/356
Jonathan Zick, Waukesha, WI (US) D686,487 S * 7/2013 Handa D8/356
D686,910 S * 7/2013 Towell, Jr. D8/395
D691,026 S * 10/2013 Komeno D8/356

(73) Assignee: **HELLERMANNTYTON** D708,044 S * 7/2014 Komeno D8/356
CORPORATION, Milwaukee, WI D709,354 S * 7/2014 Komeno D8/356
(US) D716,137 S * 10/2014 Szymanski D8/395
D716,138 S * 10/2014 Szymanski D8/395
D739,221 S * 9/2015 Sendra-Gonzalez
F24J 2/5203

(**) Term: **15 Years**

(21) Appl. No.: **29/630,569** D759,475 S * 6/2016 Banno D8/395
D759,476 S * 6/2016 Iwahara D8/395

(22) Filed: **Dec. 21, 2017**

(Continued)

Related U.S. Application Data

(62) Division of application No. 29/608,018, filed on Jun. 19, 2017, now Pat. No. Des. 811,869, and a division of application No. 29/537,348, filed on Aug. 25, 2015, now Pat. No. Des. 793,215.

(51) **LOC (11) Cl.** **08-08**
(52) **U.S. Cl.**
USPC **D8/394**

(58) **Field of Classification Search**
USPC D8/350, 354, 355, 356, 359, 366, 367,
D8/373, 374, 394, 349, 395; D11/200,
D11/201, 206, 221; D13/152, 154, 155;
D17/99; 248/74.2, 245
CPC F16B 1/00; H02G 3/32
See application file for complete search history.

(56) **References Cited**

U.S. PATENT DOCUMENTS

D277,546 S * 2/1985 Trotta D8/356
D447,048 S * 8/2001 Beloff D8/395
D480,291 S * 10/2003 Sorkin D8/354
D484,400 S * 12/2003 Blake D8/356

Primary Examiner — Cynthia Ramirez

Assistant Examiner — Michael A Maharajh

(74) *Attorney, Agent, or Firm* — Robert J. Myers

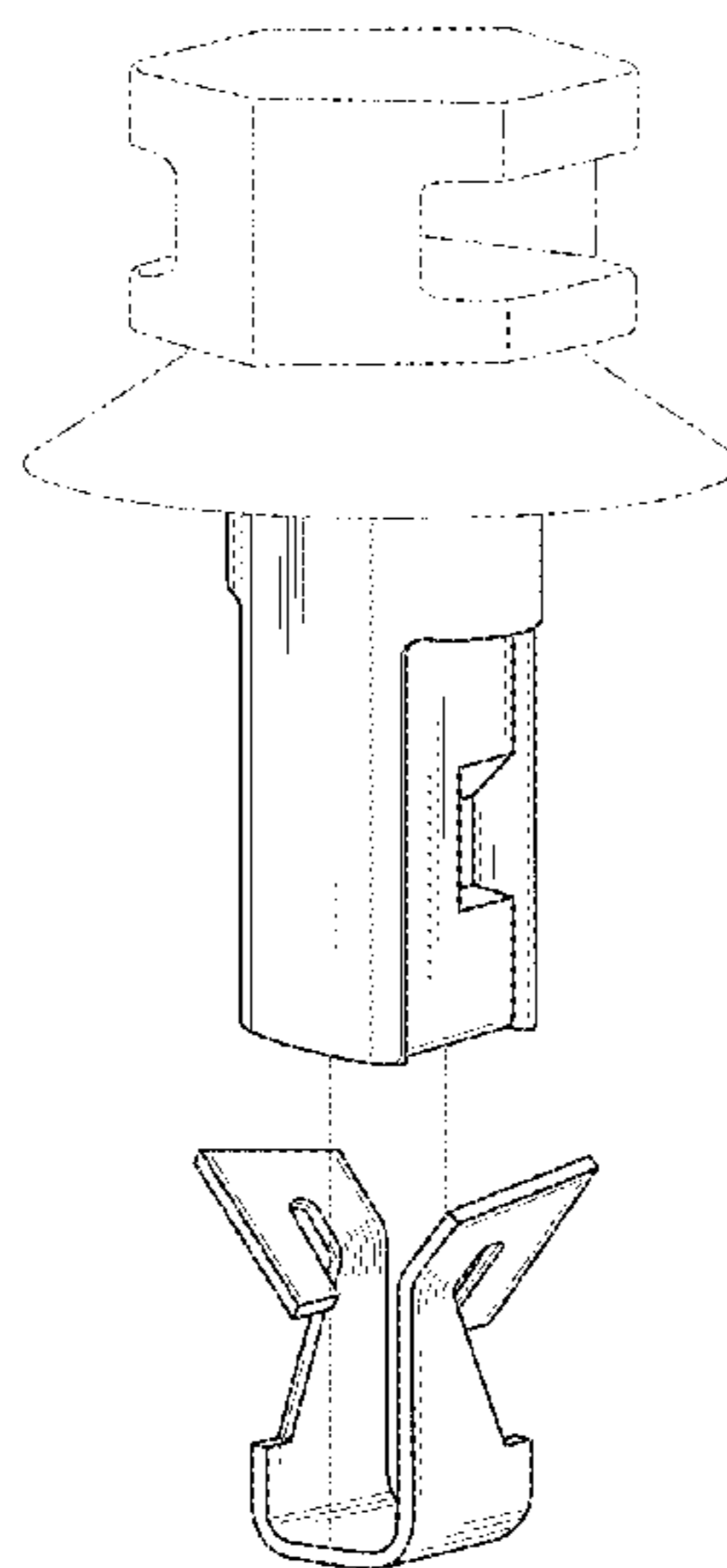
(57) **CLAIM**

The ornamental design for a blind hole mount and post, as shown and described.

DESCRIPTION

FIG. 1 is a perspective view of a blind hole mount and post showing our new design;
FIG. 2 is another perspective view thereof;
FIG. 3 is a front elevation view; the rear elevation view being a mirror image thereof;
FIG. 4 is a right side elevation view; the left side elevation view being a mirror image thereof;
FIG. 5 is a top plan view thereof; and,
FIG. 6 is a bottom plan view thereof.
The broken lines are for the purpose of illustrating the environment of the article only and form no part of the claimed design.

1 Claim, 2 Drawing Sheets



(56)

References Cited

U.S. PATENT DOCUMENTS

D767,372 S *	9/2016	Itou	H02G 3/26 D8/356
D787,925 S *	5/2017	Moerer	D8/394
D793,215 S *	8/2017	Gallion	D8/394
D811,869 S *	3/2018	Gallion	D8/394
D815,939 S *	4/2018	Geiger	D8/382
D816,471 S *	5/2018	Gallion	D8/394

* cited by examiner

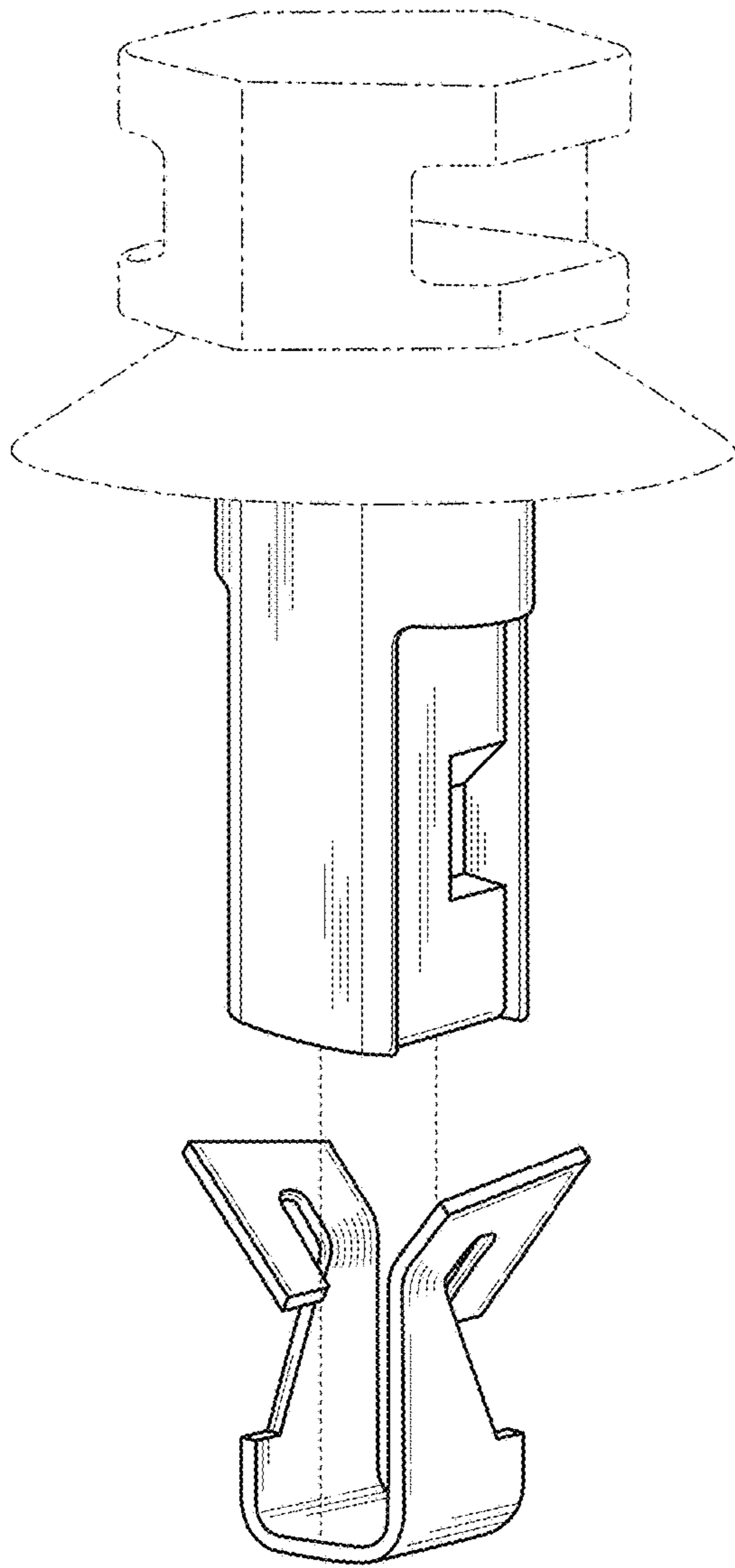


Fig. 1

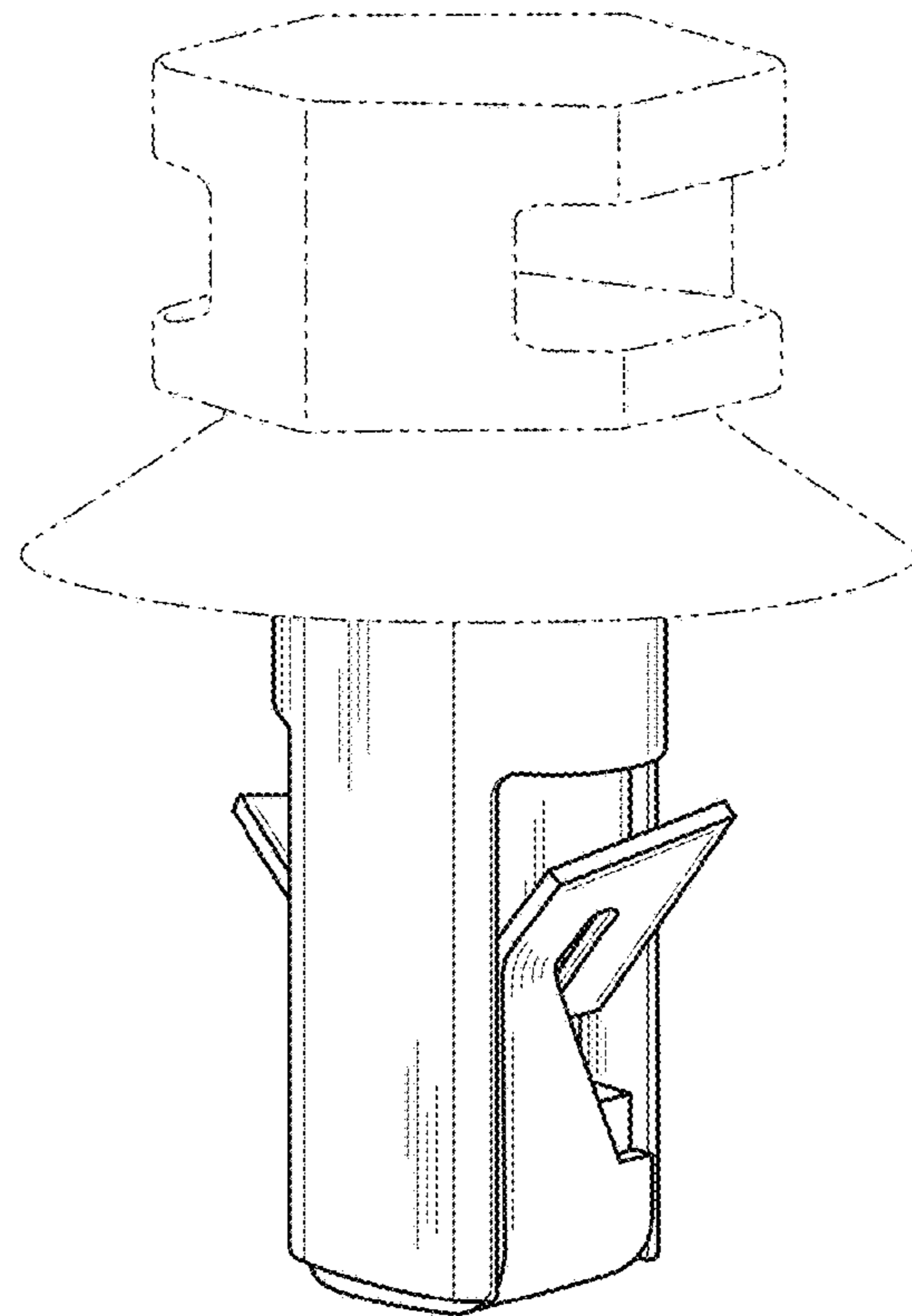


Fig. 2

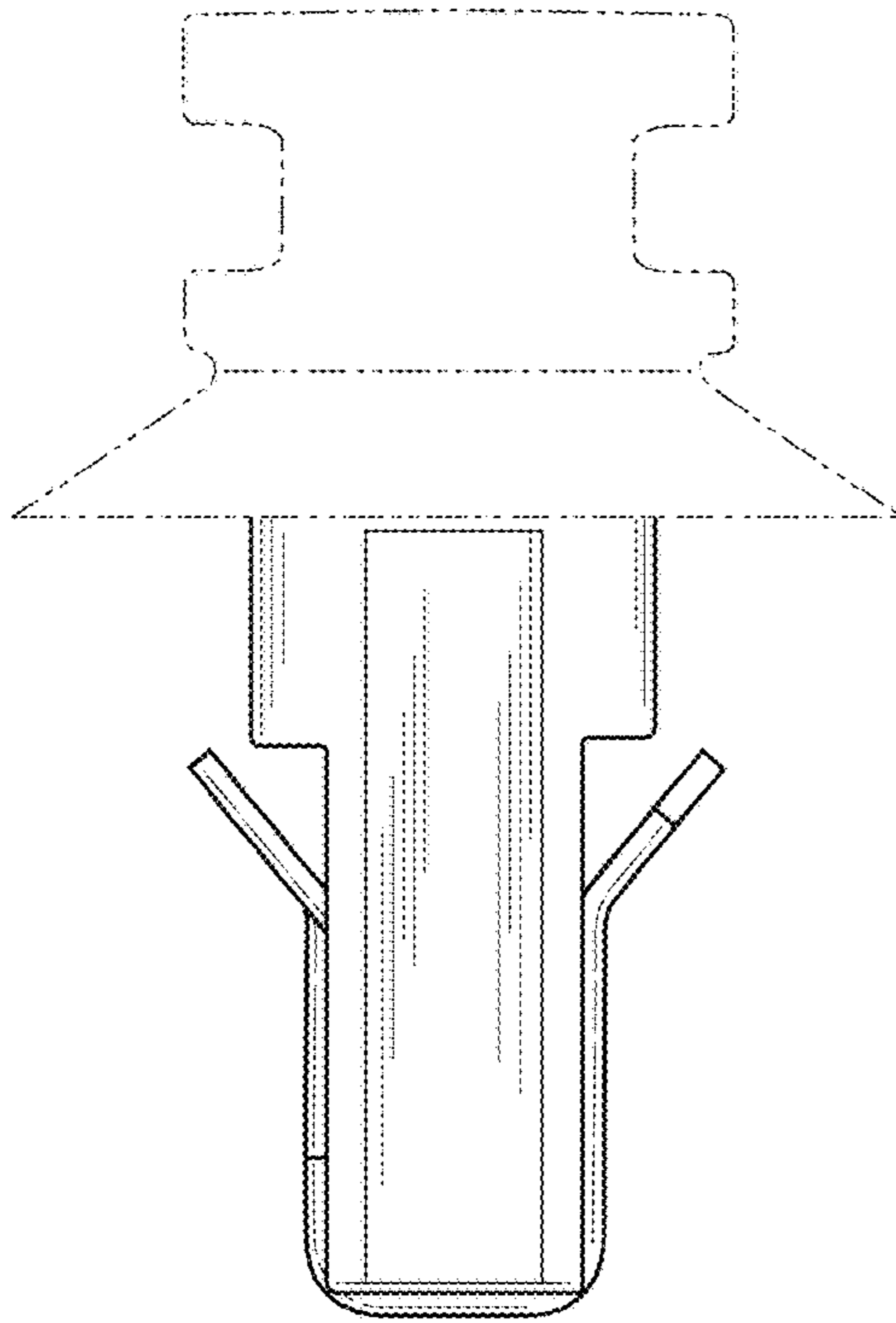


Fig. 3

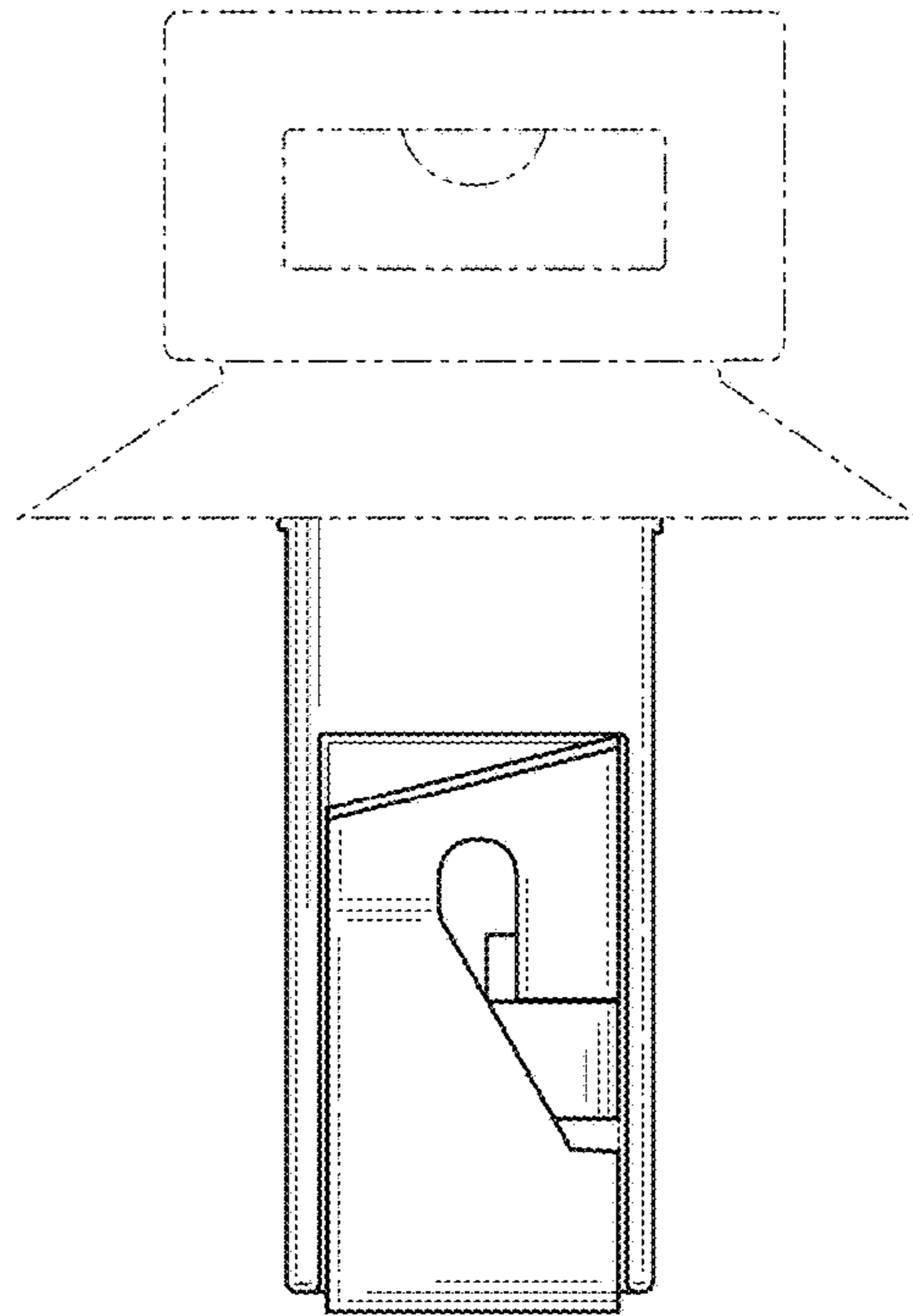


Fig. 4

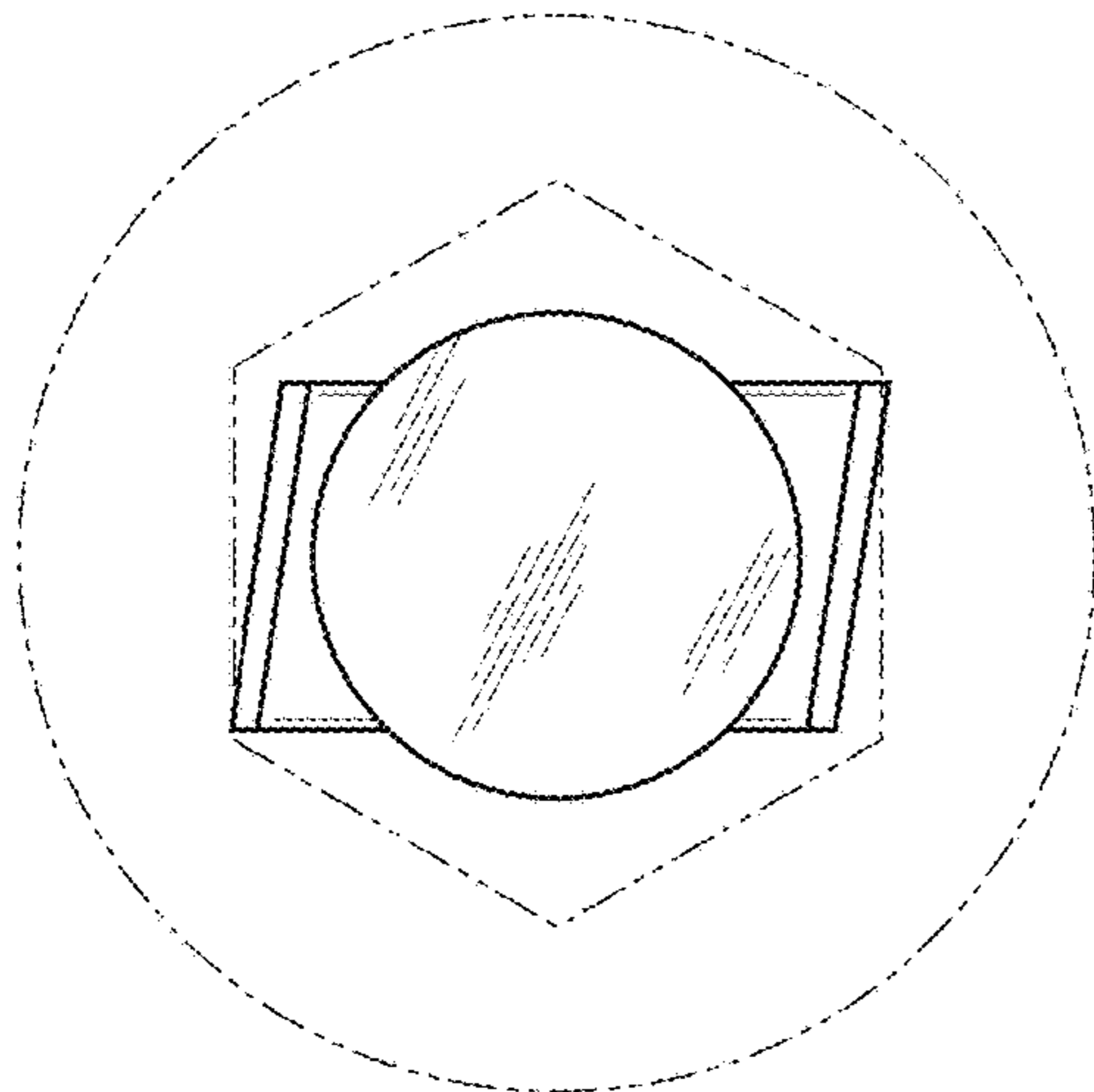


Fig. 5

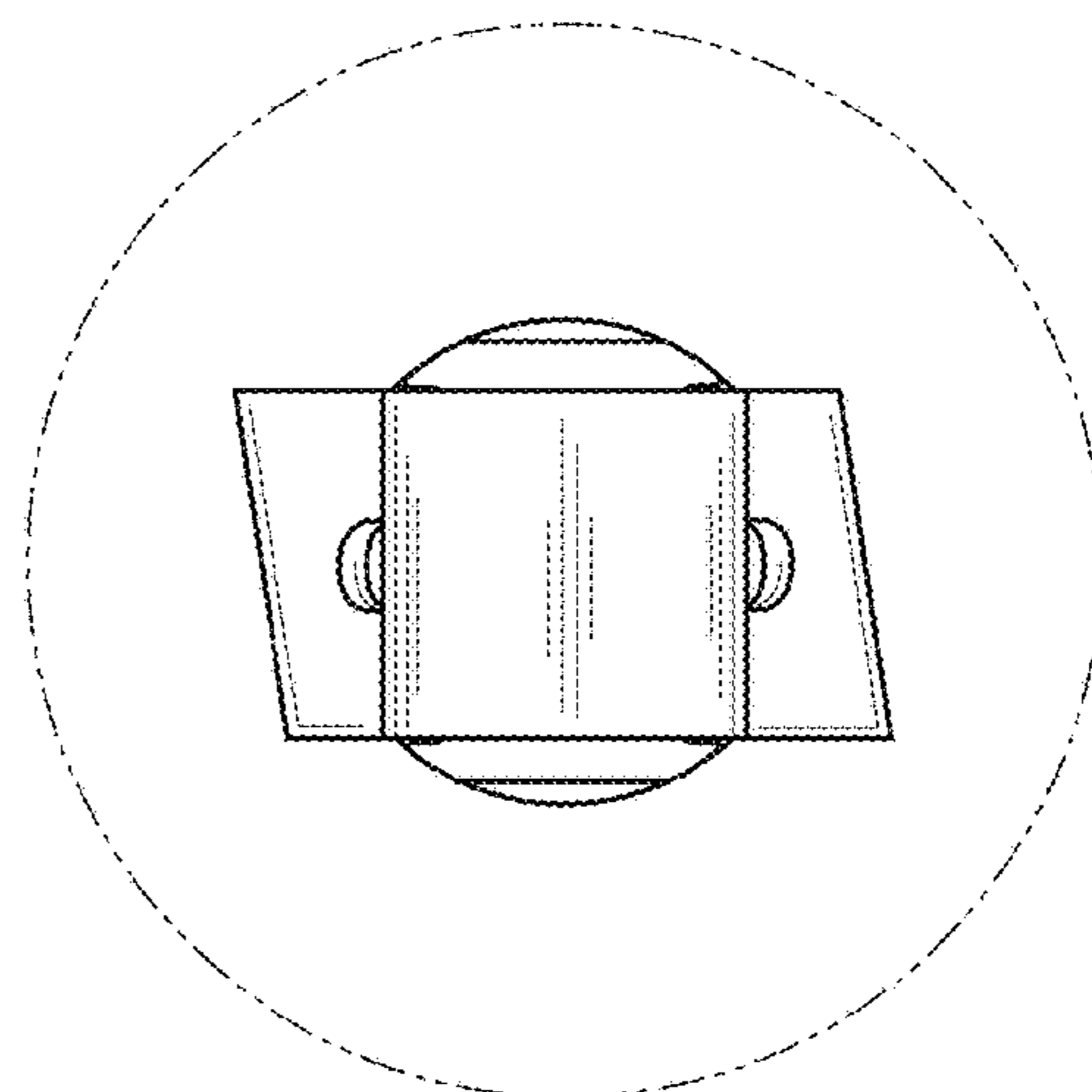


Fig. 6