



US00D829537S

(12) **United States Design Patent**
Smith

(10) **Patent No.:** **US D829,537 S**
(45) **Date of Patent:** **** Oct. 2, 2018**

(54) **GAS SPRING MOUNTING BRACKET**

(71) Applicant: **Firestone Industrial Products Company, LLC**, Indianapolis, IN (US)

(72) Inventor: **Scott A. Smith**, Brownsburg, IN (US)

(73) Assignee: **Firestone Industrial Products Company, LLC**, Indianapolis, IN (US)

(**) Term: **15 Years**

(21) Appl. No.: **29/549,550**

(22) Filed: **Dec. 22, 2015**

(51) **LOC (11) Cl.** **08-03**

(52) **U.S. Cl.**
USPC **D8/366**

(58) **Field of Classification Search**
USPC D8/370, 44, 24, 25, 33, 383, 19, 330,
D8/355, 356, 349, 382, 371, 366, 363;
(Continued)

(56) **References Cited**

U.S. PATENT DOCUMENTS

1,431,662 A * 10/1922 Horning B60T 17/046
248/300
D274,691 S * 7/1984 Wallace D8/336
(Continued)

OTHER PUBLICATIONS

Firestone Installation Manual (2528) for Ride-Rite Air Helper Springs, pp. 1-16.

Primary Examiner — Janice Hallmark

Assistant Examiner — Eliza Z Bennett-Hattan

(74) *Attorney, Agent, or Firm* — Brian D. McAlhaney;
Matthew P. Dugan

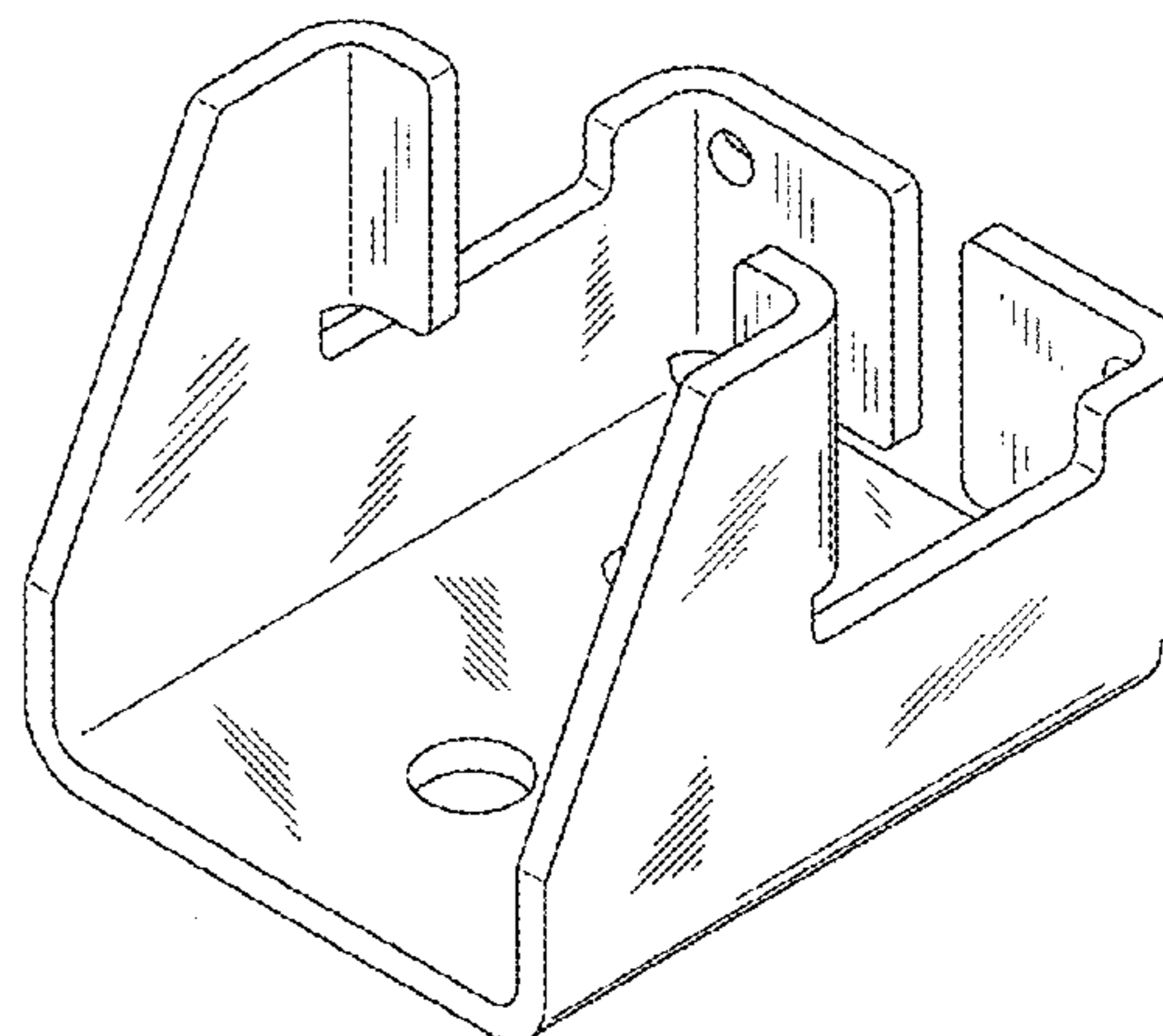
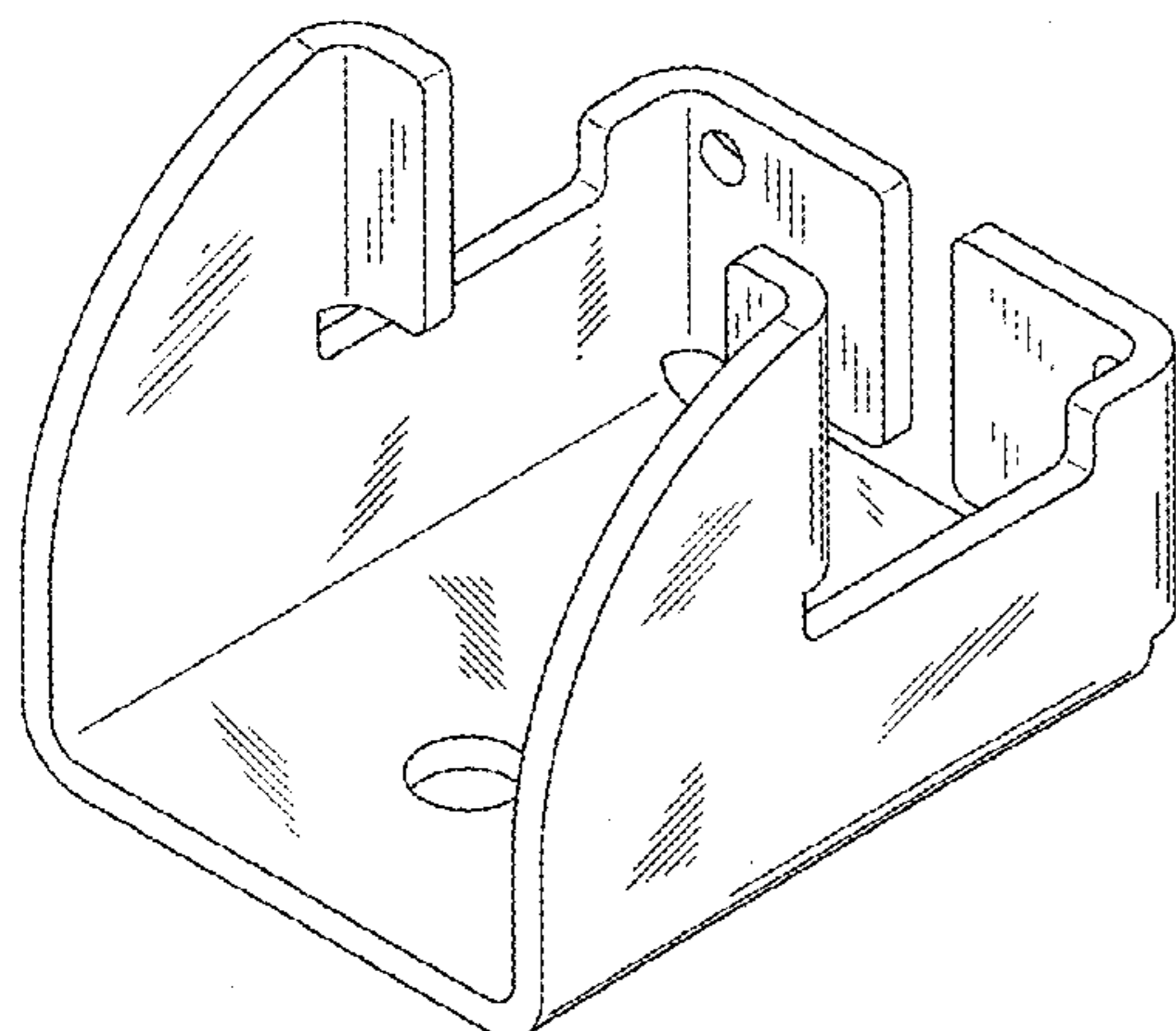
(57) **CLAIM**

The ornamental design for a gas spring mounting bracket, as shown and described.

DESCRIPTION

FIG. 1 is a top perspective view of a gas spring mounting bracket illustrating a first embodiment of my new design; FIG. 2 is a bottom perspective view thereof; FIG. 3 is top plan view thereof; FIG. 4 is a bottom plan view thereof; FIG. 5 is a left side elevation thereof; FIG. 6 is a right side elevation view thereof; FIG. 7 is a front elevation view thereof; FIG. 8 is a rear elevation view thereof; FIG. 9 is a top perspective view of the gas spring mounting bracket shown together with an associated gas spring; FIG. 10 is a top perspective view of a gas spring mounting bracket illustrating a second embodiment of my new design; FIG. 11 is a bottom perspective view thereof; FIG. 12 is top plan view thereof; FIG. 13 is a bottom plan view thereof; FIG. 14 is a left side elevation thereof; FIG. 15 is a right side elevation view thereof; FIG. 16 is a front elevation view thereof; FIG. 17 is a rear elevation view thereof; FIG. 18 is a top perspective view of the gas spring mounting bracket shown together with an associated gas spring; FIG. 19 is a top perspective view of a gas spring mounting bracket illustrating a third embodiment of my new design; FIG. 20 is a bottom perspective view thereof; FIG. 21 is top plan view thereof; FIG. 22 is a bottom plan view thereof; FIG. 23 is a left side elevation thereof; FIG. 24 is a right side elevation view thereof; FIG. 25 is a front elevation view thereof; FIG. 26 is a rear elevation view thereof; and, FIG. 27 is a top perspective view of the gas spring mounting bracket shown together with an associated gas spring.

1 Claim, 27 Drawing Sheets



(58) **Field of Classification Search**

USPC D12/162, 159, 223; D23/322, 341, 386,
D23/385

CPC F16M 13/02

See application file for complete search history.

(56) **References Cited**

U.S. PATENT DOCUMENTS

D317,250 S * 6/1991 Shook D8/380
D437,282 S * 2/2001 Joll D12/223
D445,019 S * 7/2001 Vitetta D8/349
D628,539 S * 12/2010 Tezak D13/152
D645,335 S * 9/2011 Herman D8/349
D678,045 S * 3/2013 Paolini D8/382
D742,210 S * 11/2015 Carrubba D8/382
D801,795 S * 11/2017 Huang D8/382
2003/0030048 A1 * 2/2003 Quaintance E04F 11/181
256/59
2012/0267490 A1 * 10/2012 Haddock H02S 20/00
248/221.11
2014/0312167 A1 * 10/2014 Rupp B64D 41/007
244/54

* cited by examiner

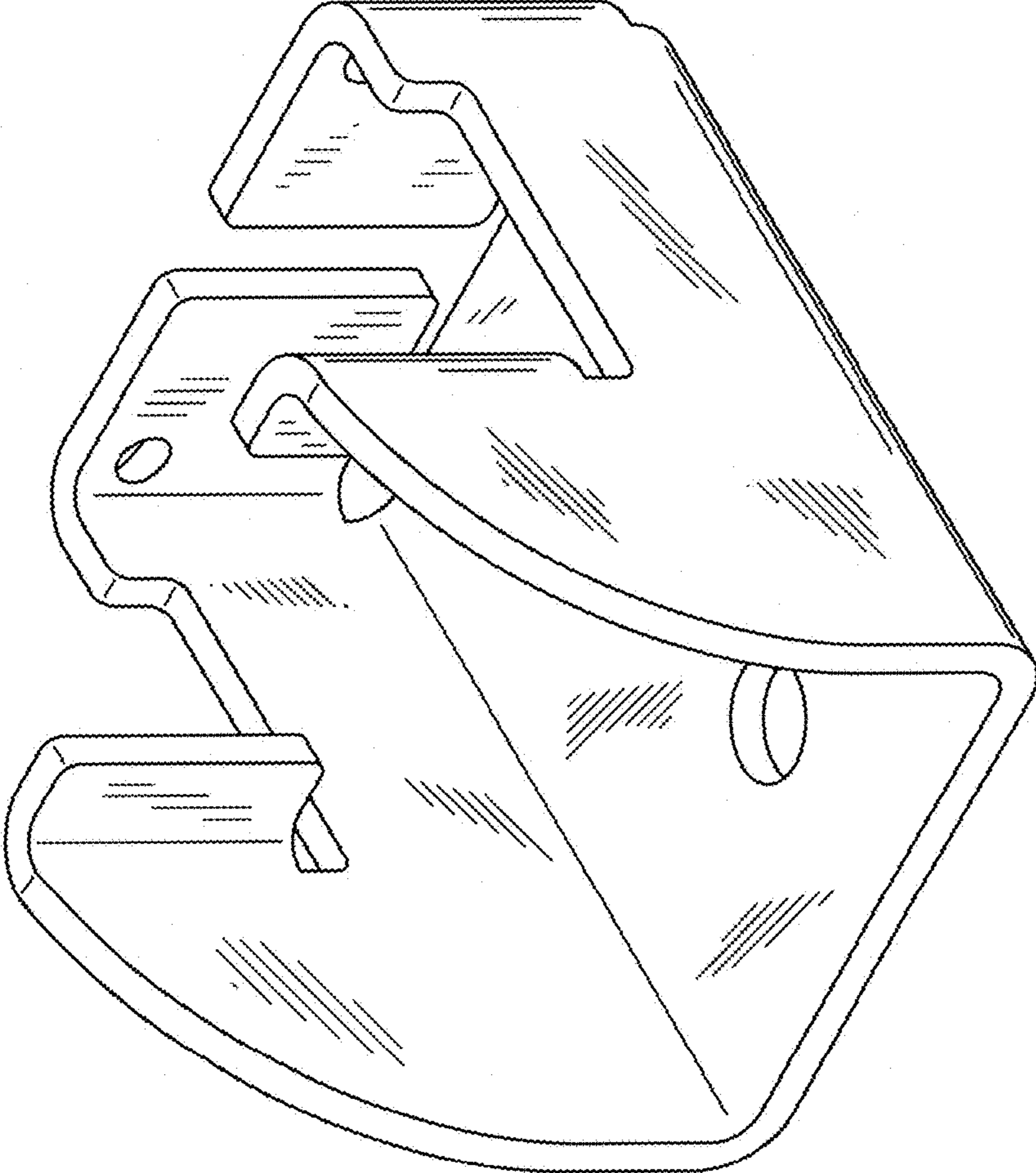


FIG. 1

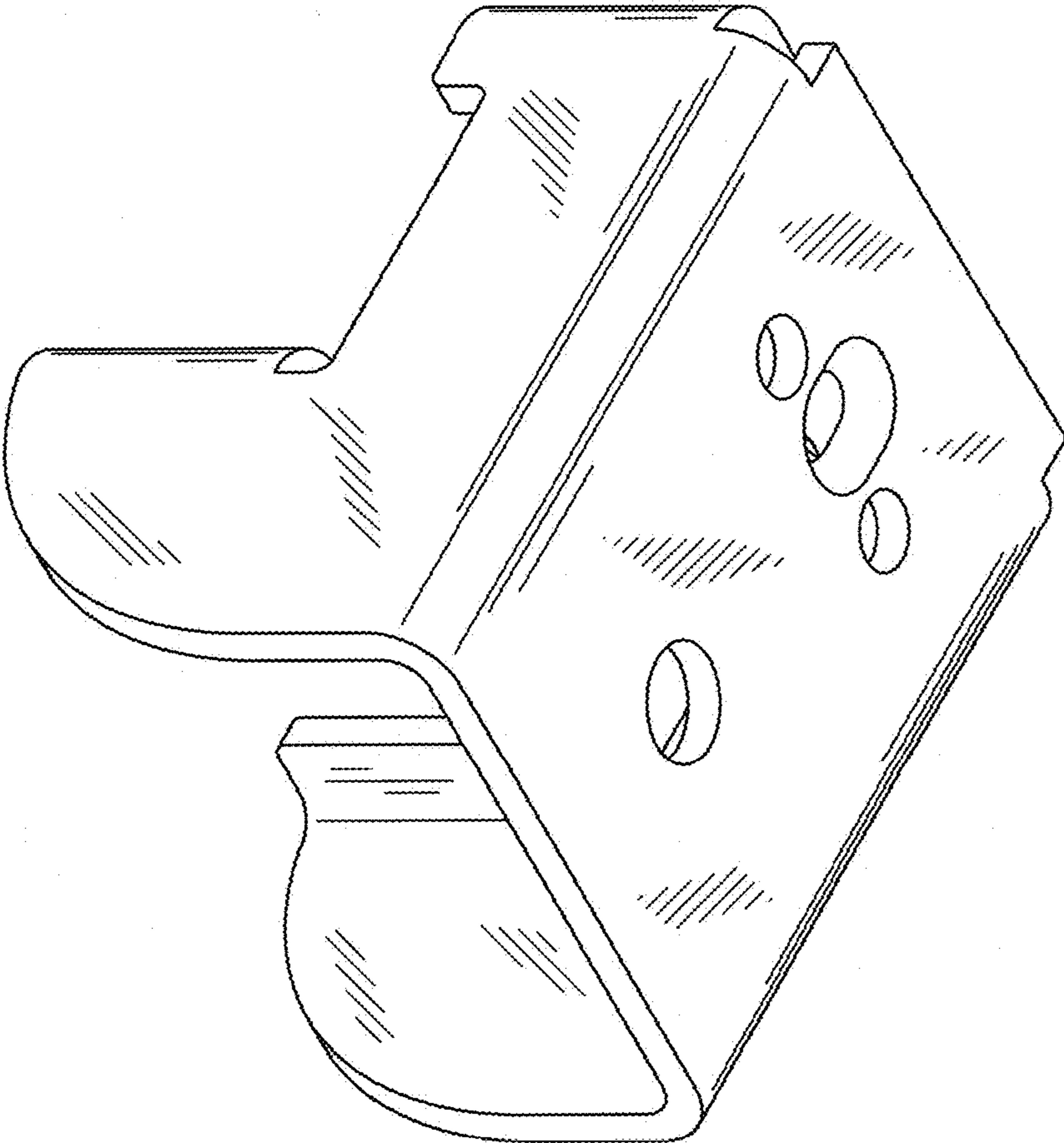


FIG. 2

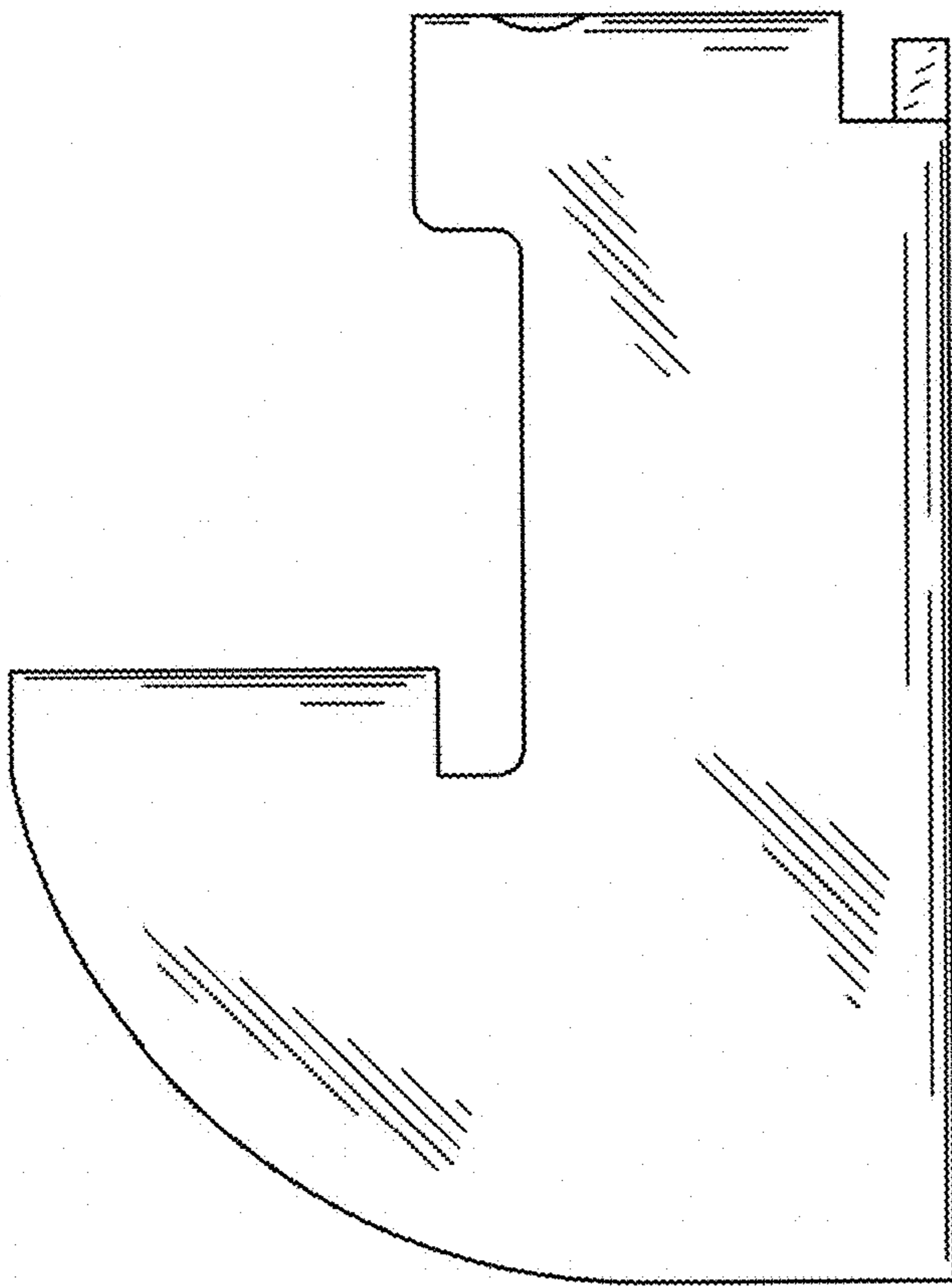


FIG. 3

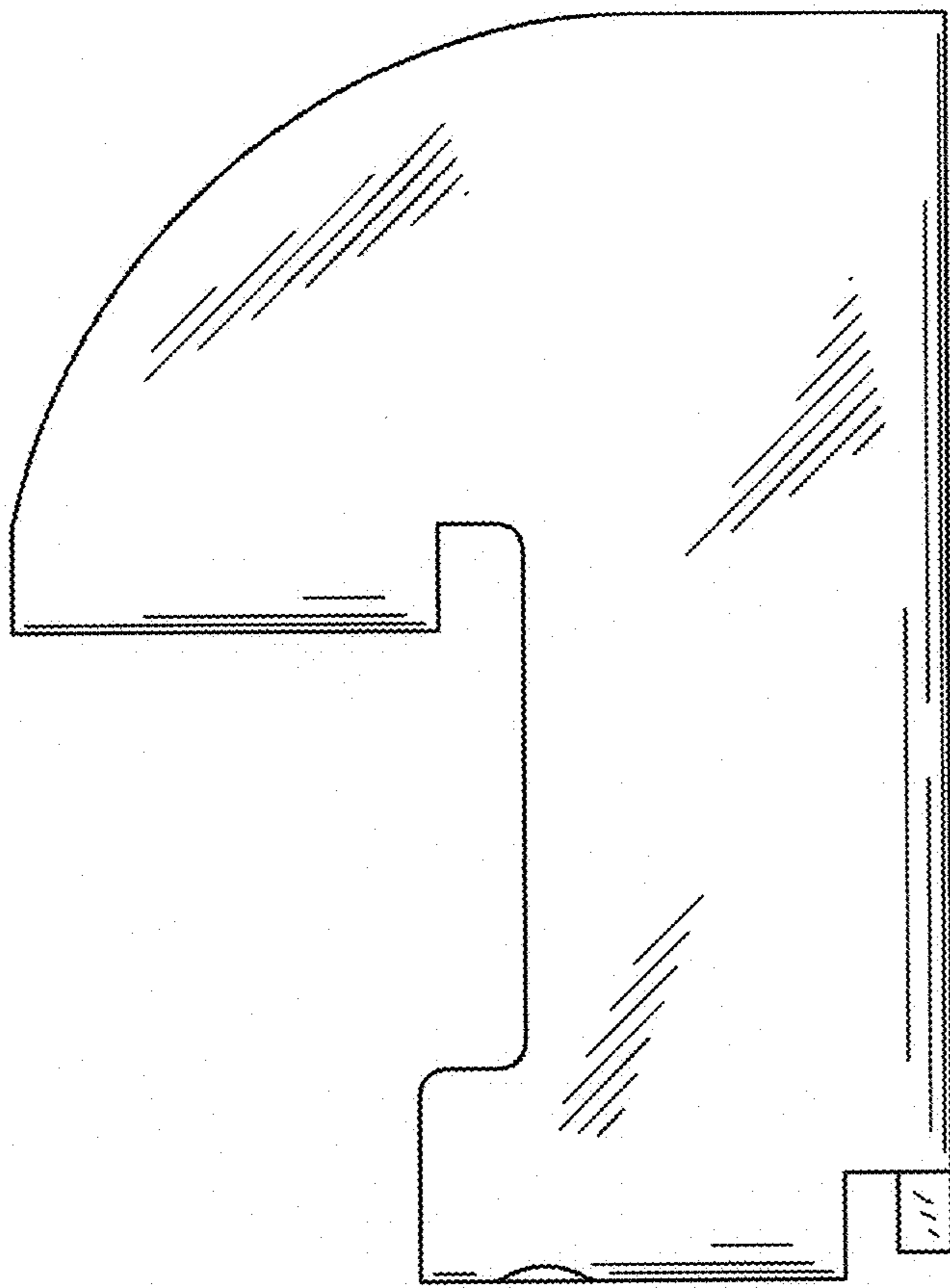


FIG. 4

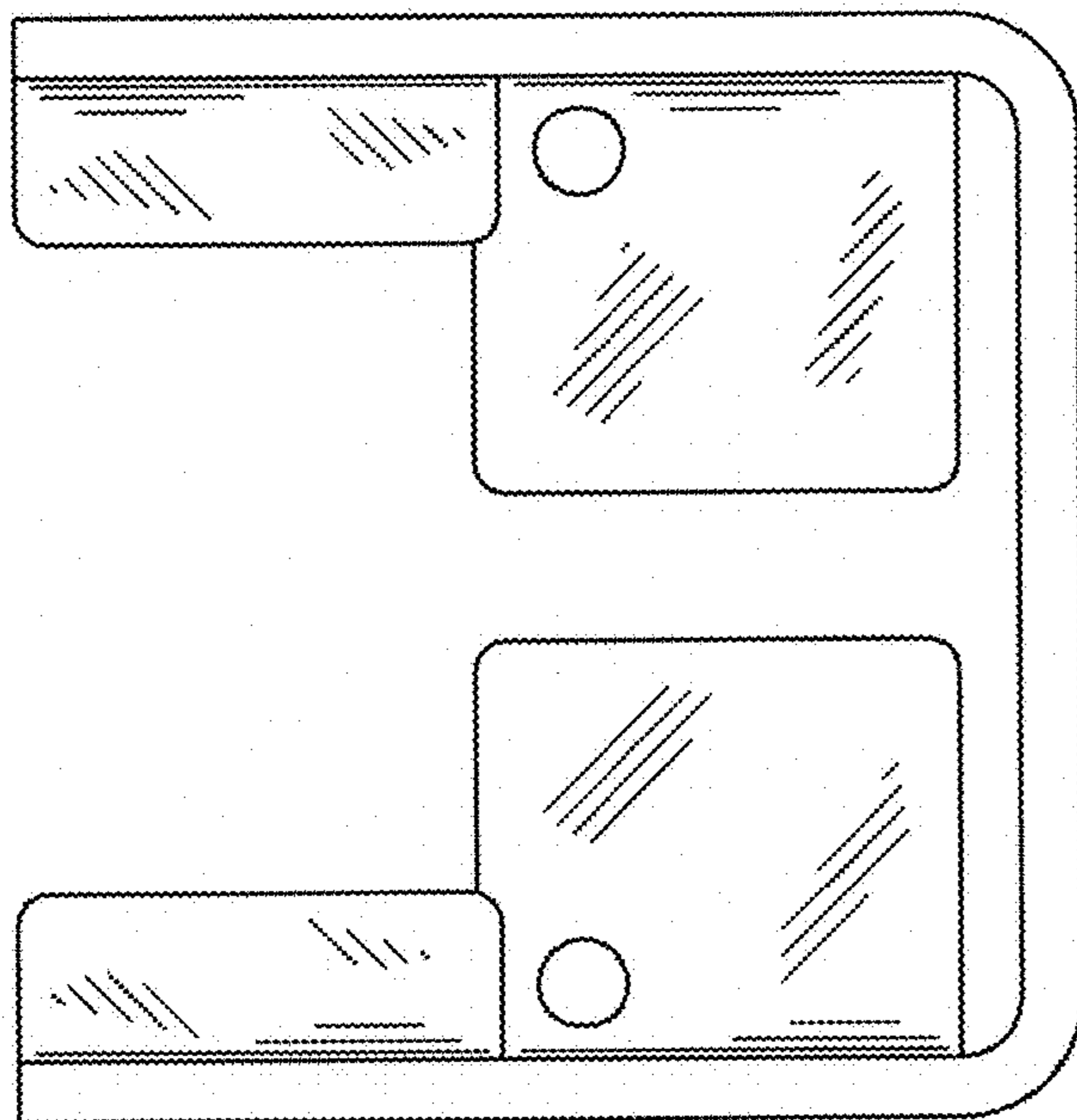


FIG. 5

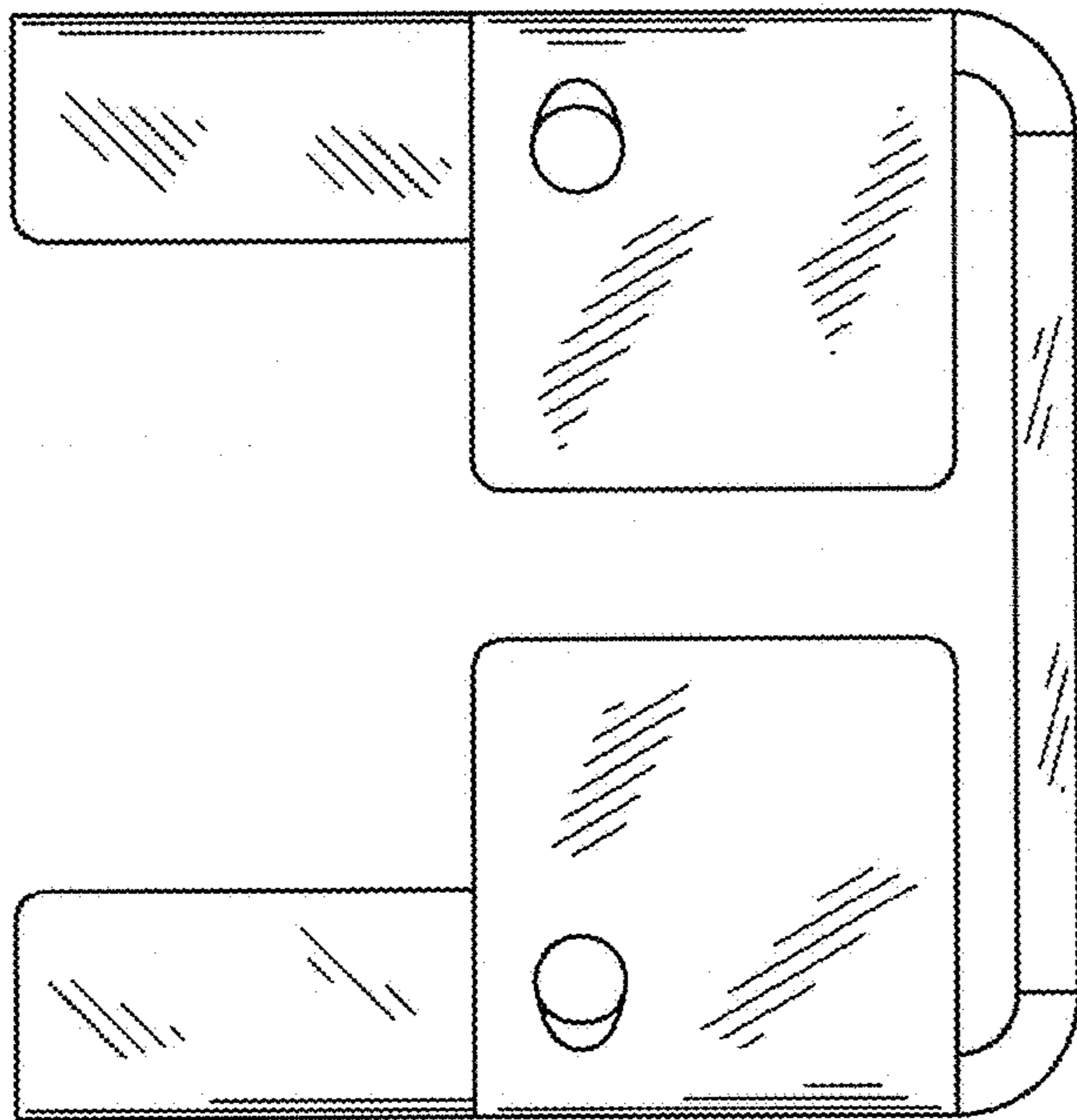


FIG. 6

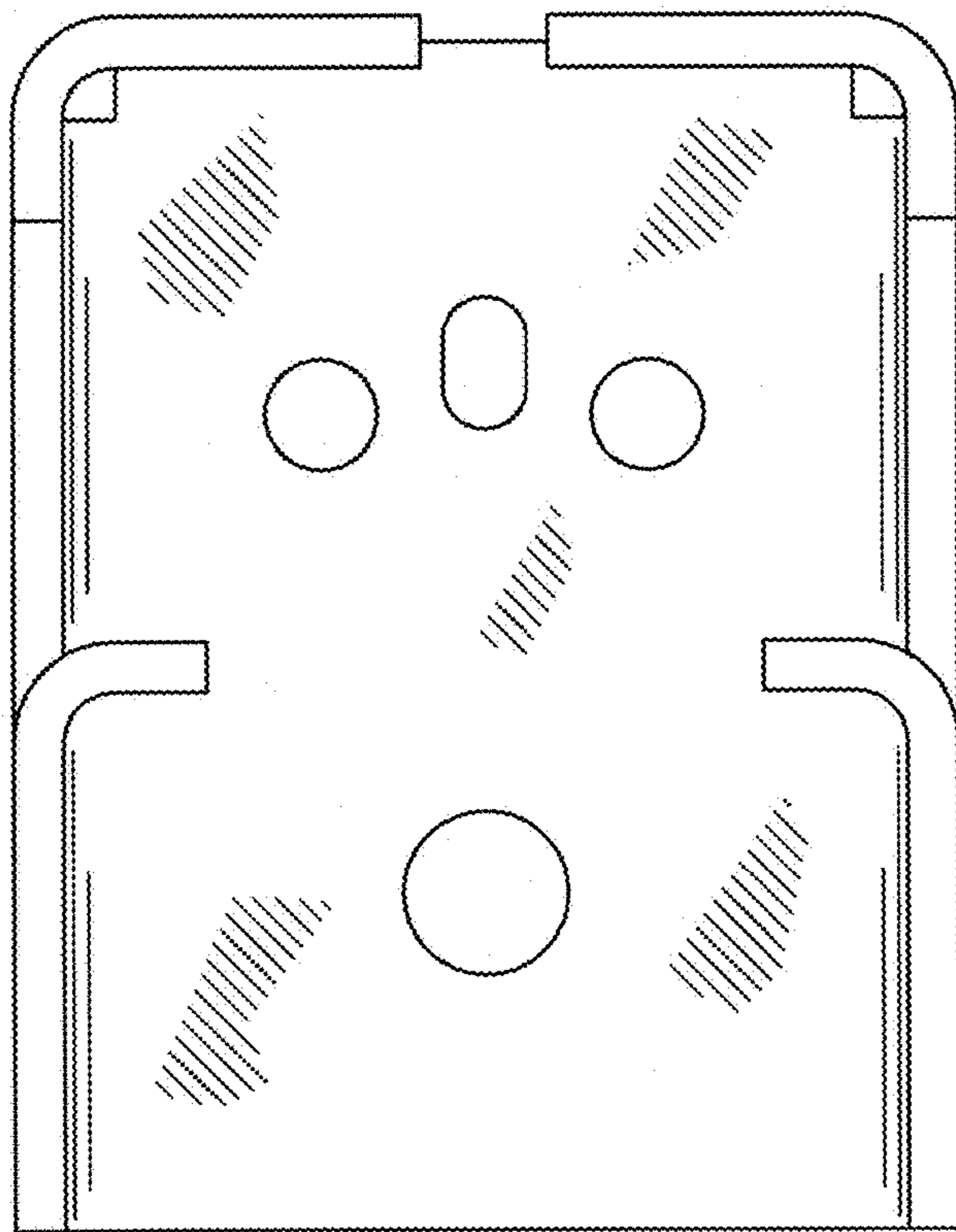


FIG. 7

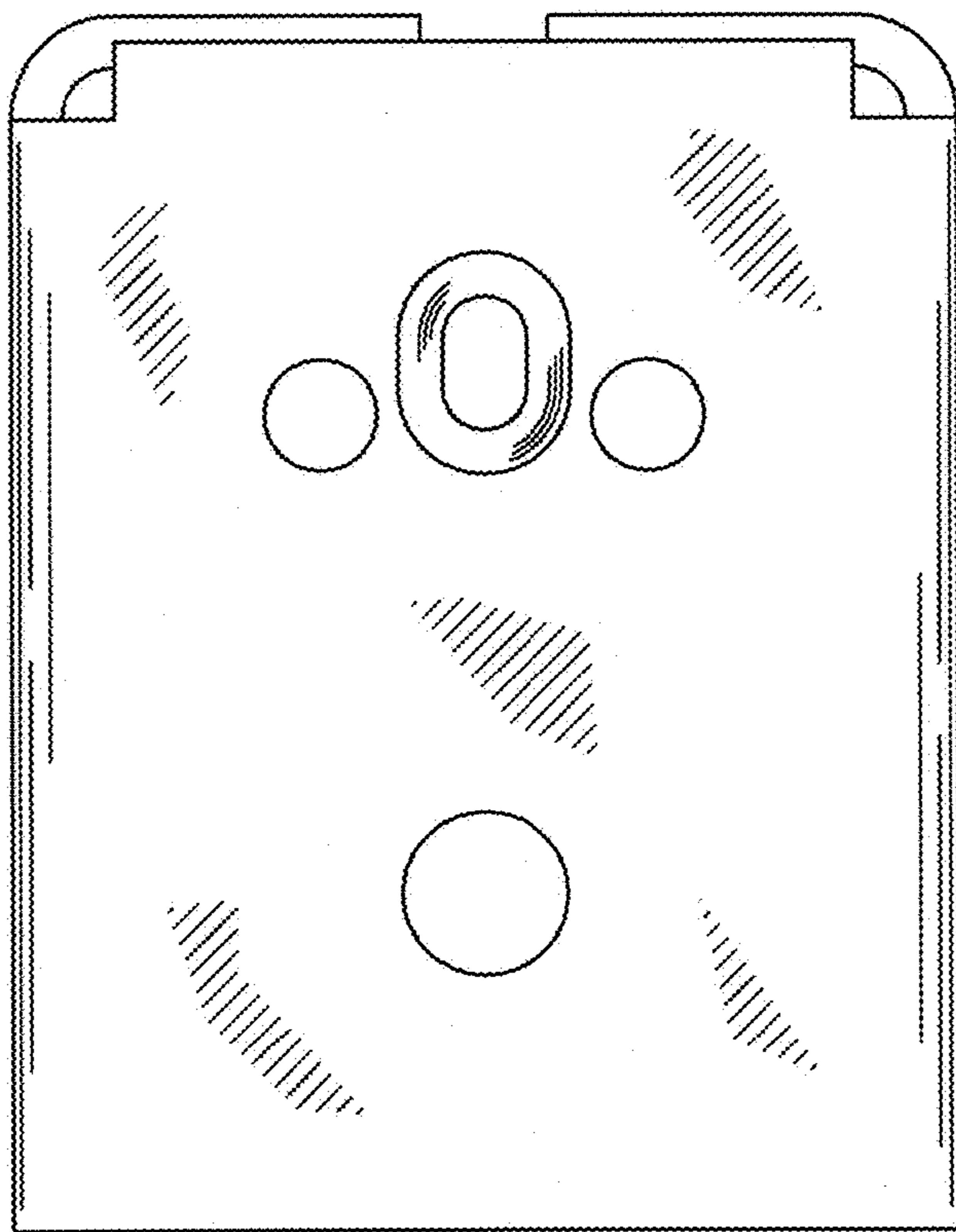


FIG. 8

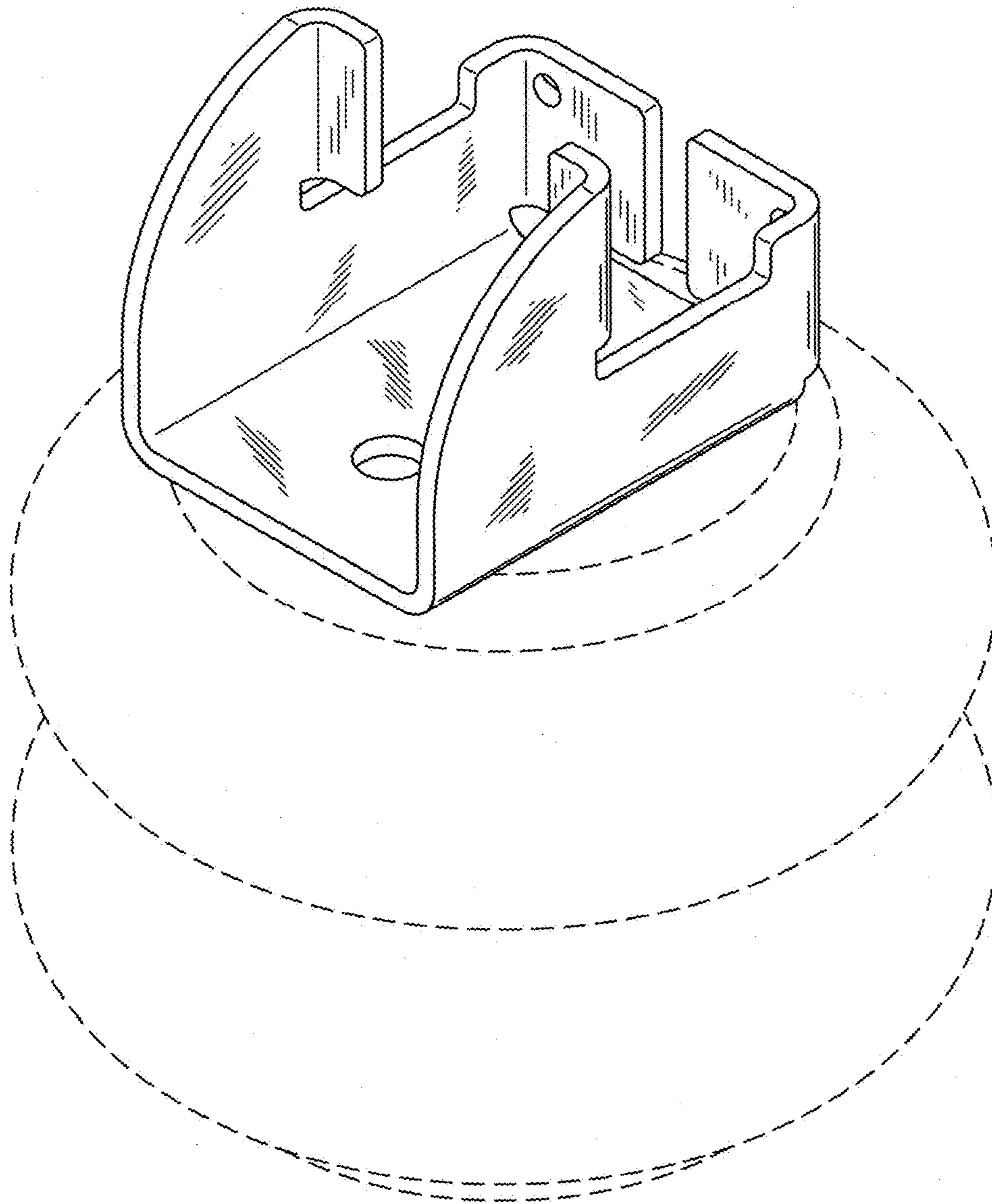


FIG. 9

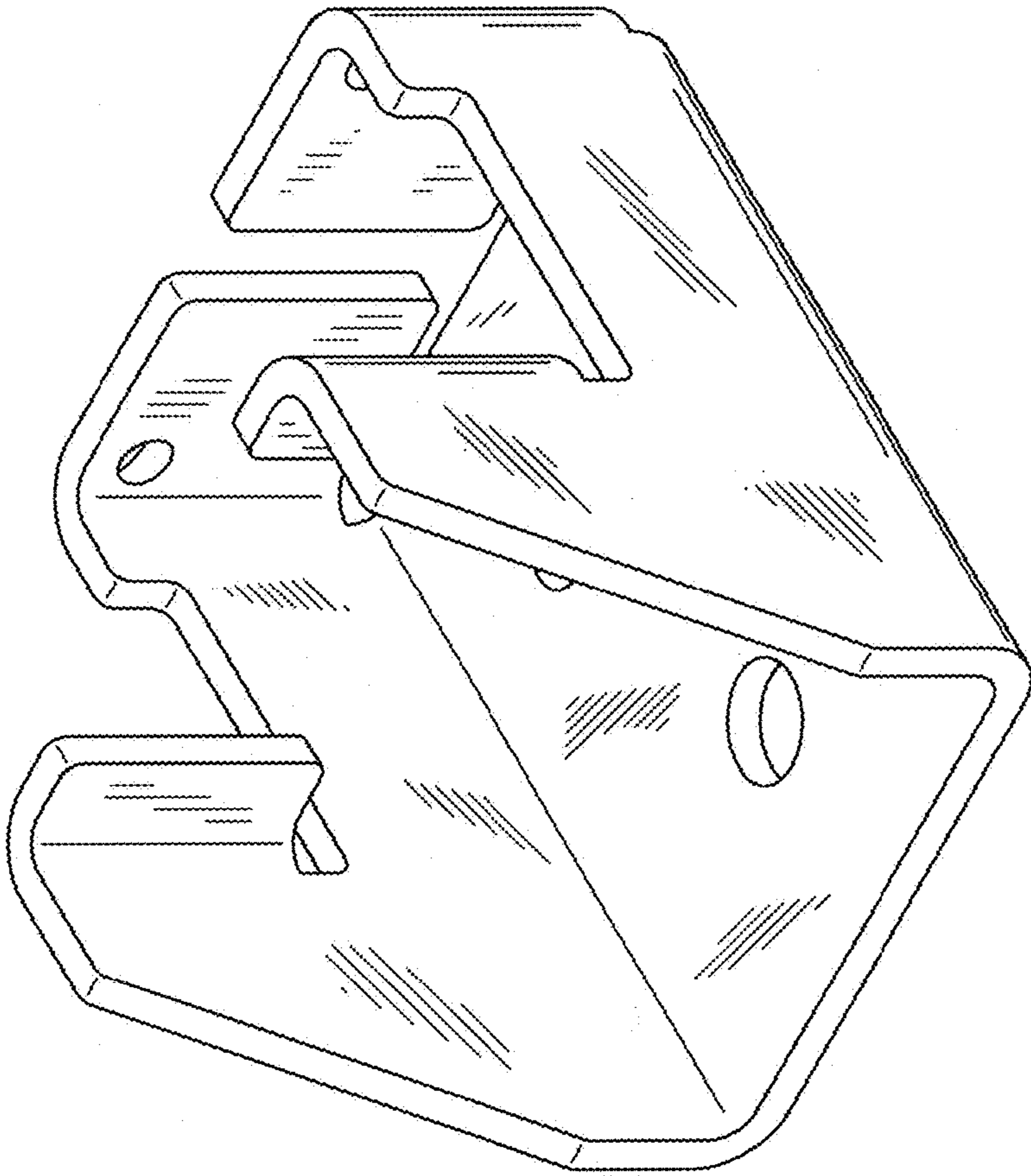


FIG. 10

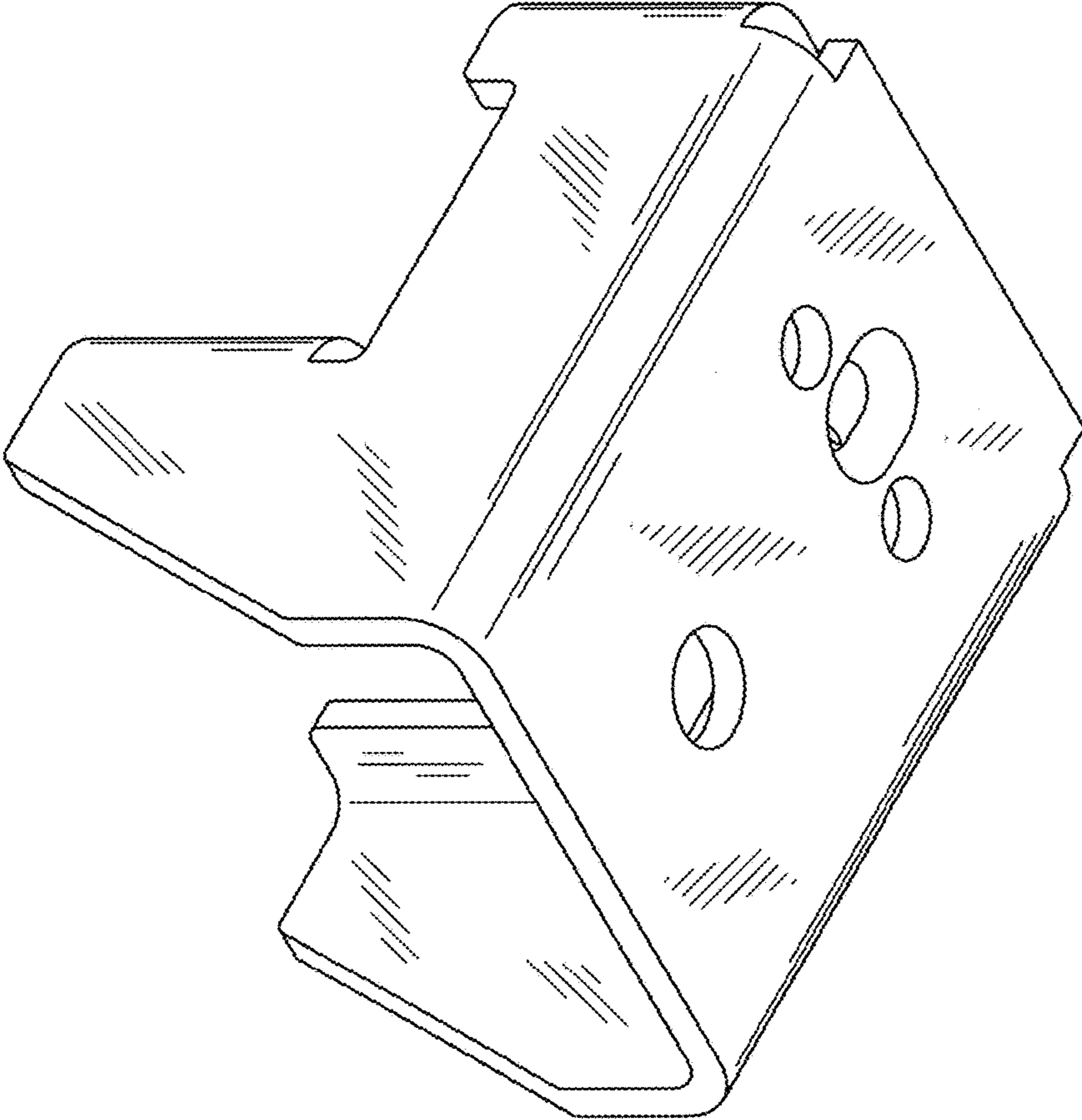


FIG. 11

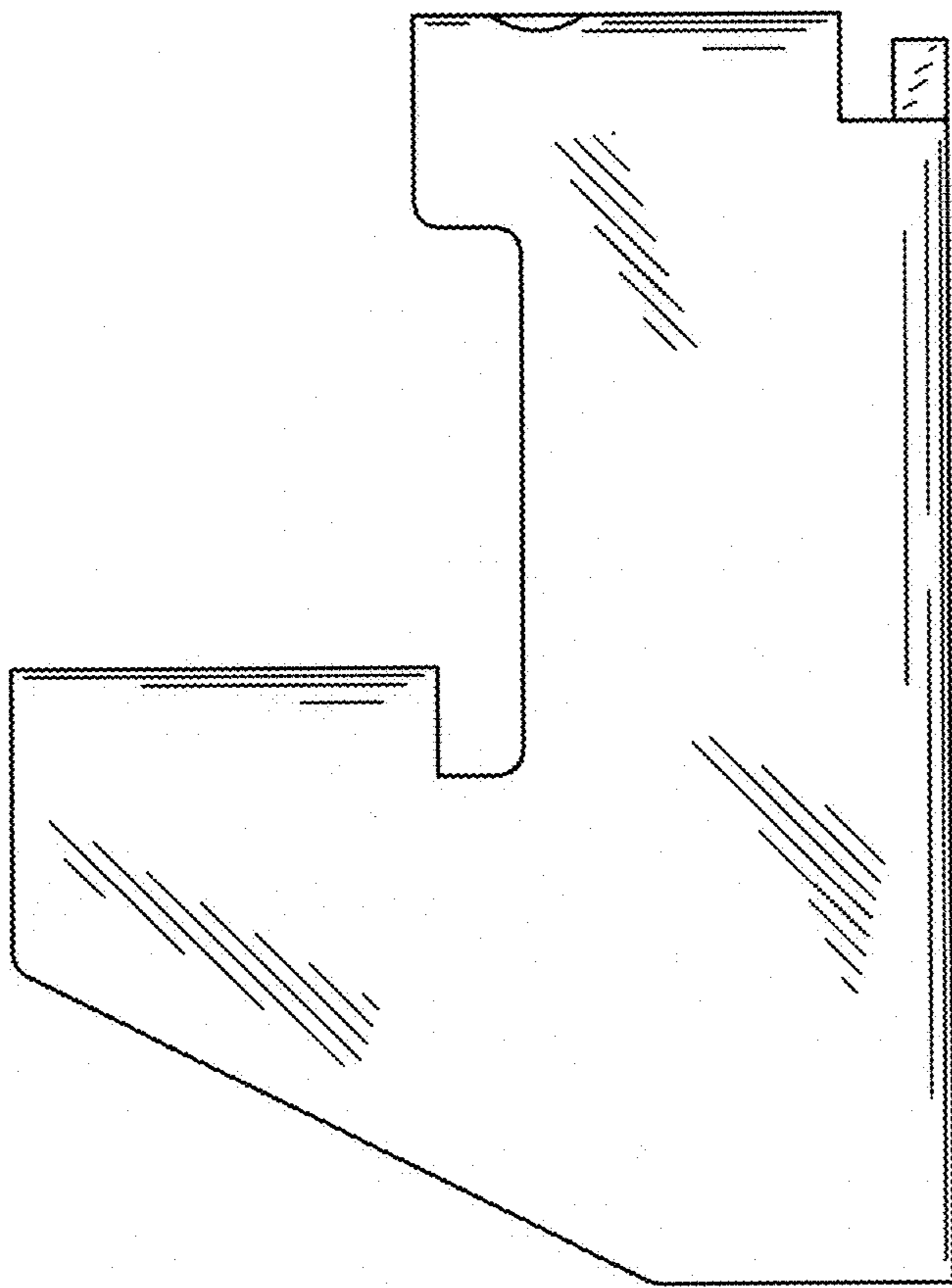


FIG. 12

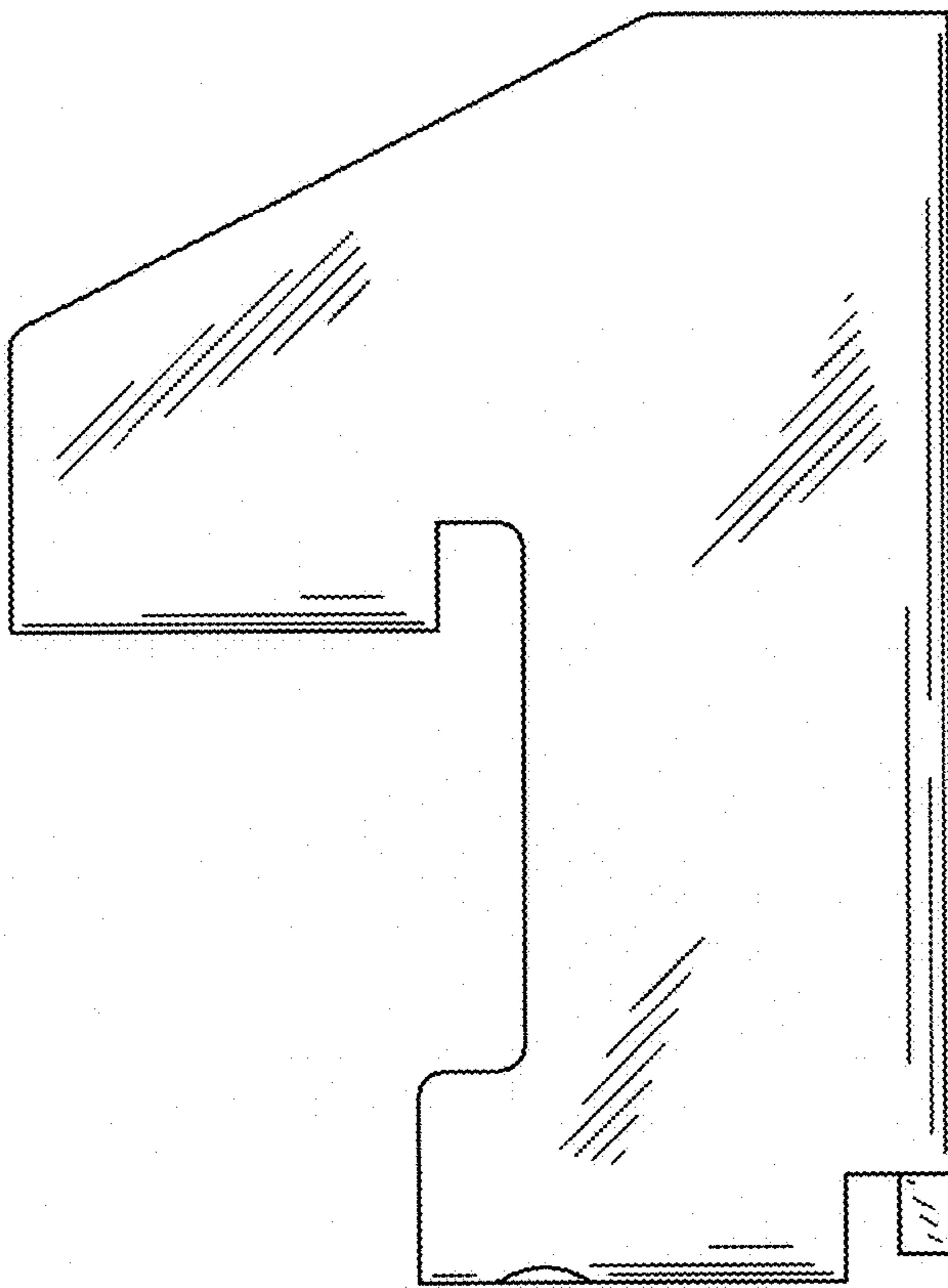


FIG. 13

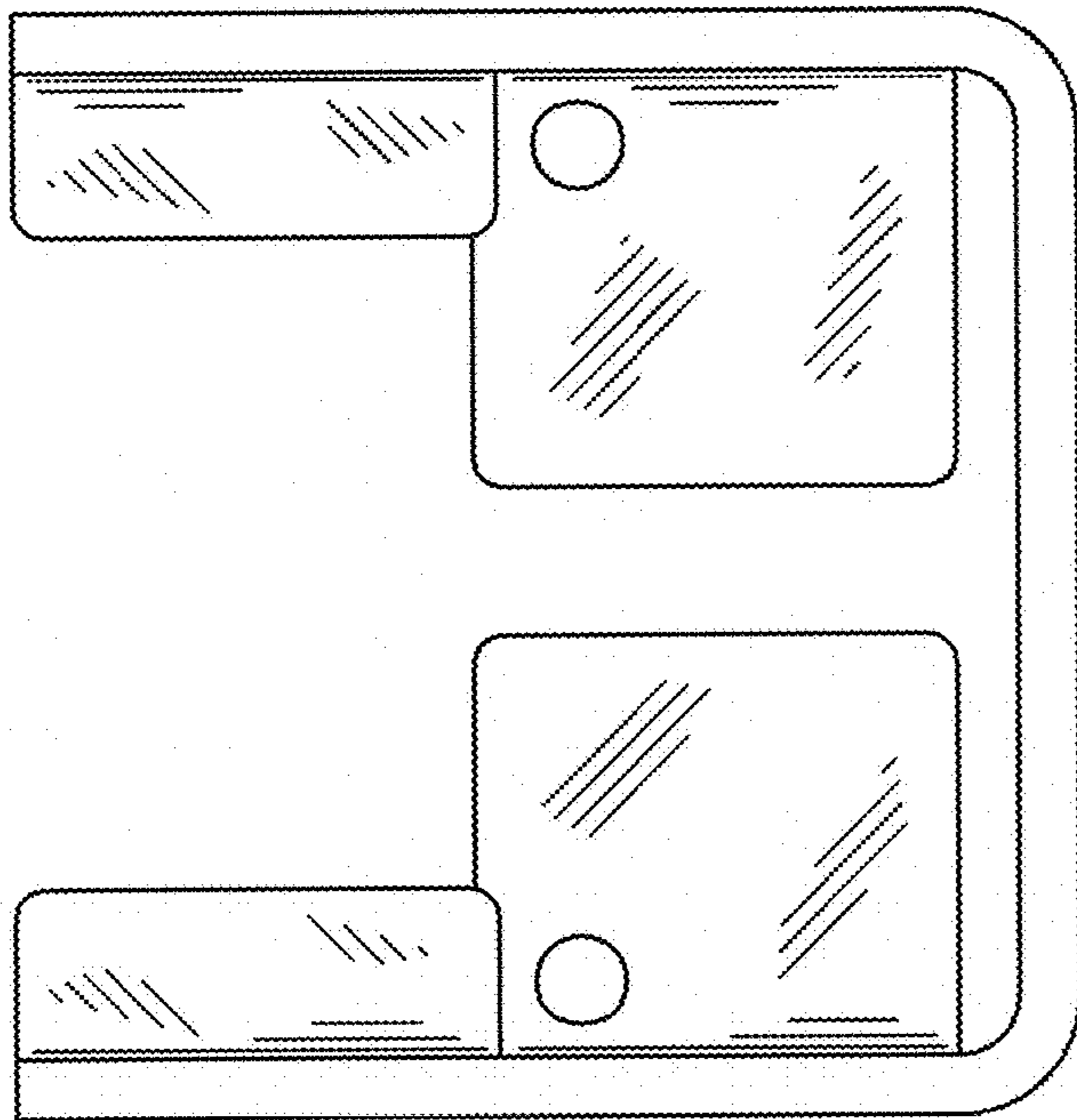


FIG. 14

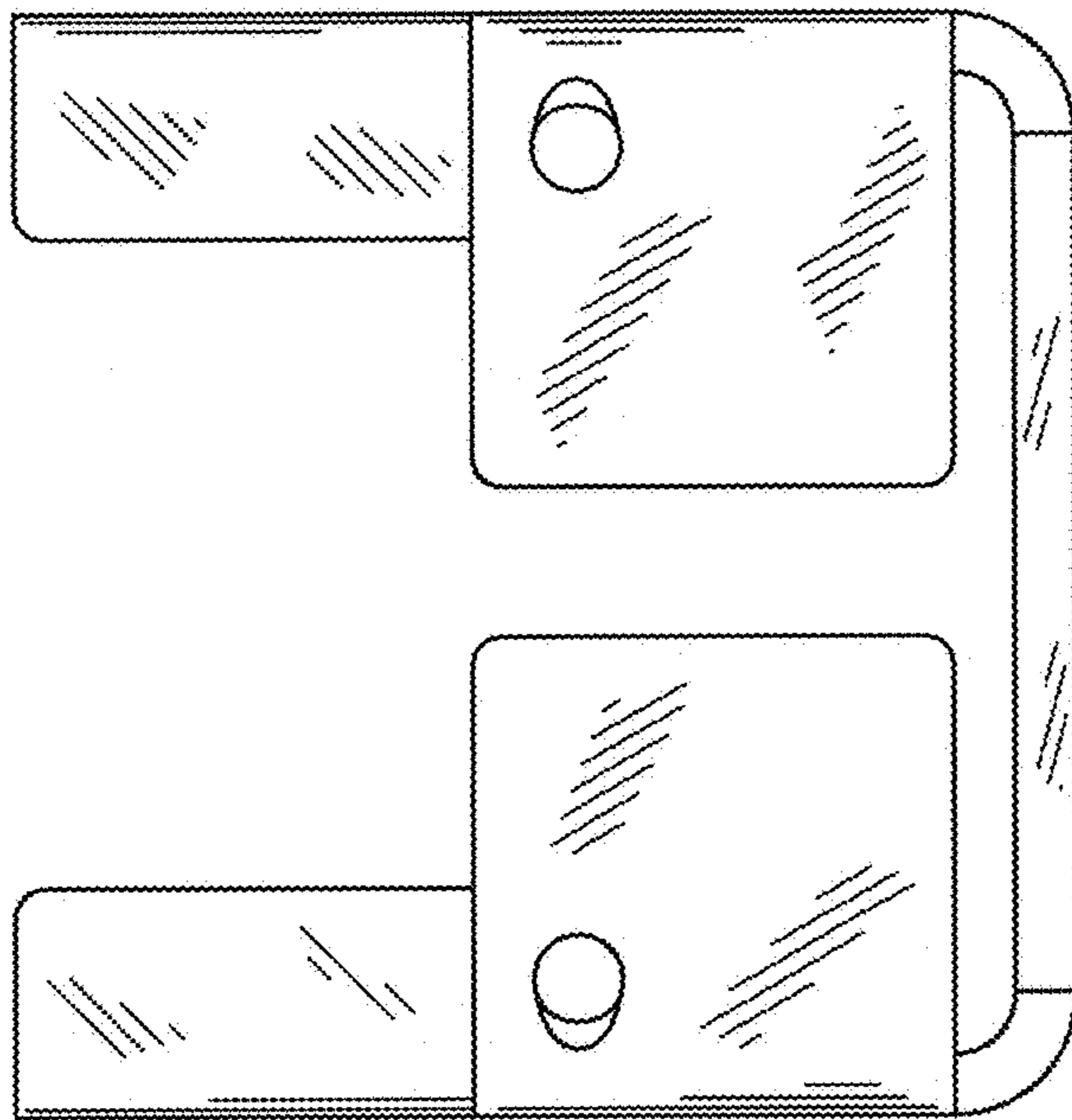


FIG. 15

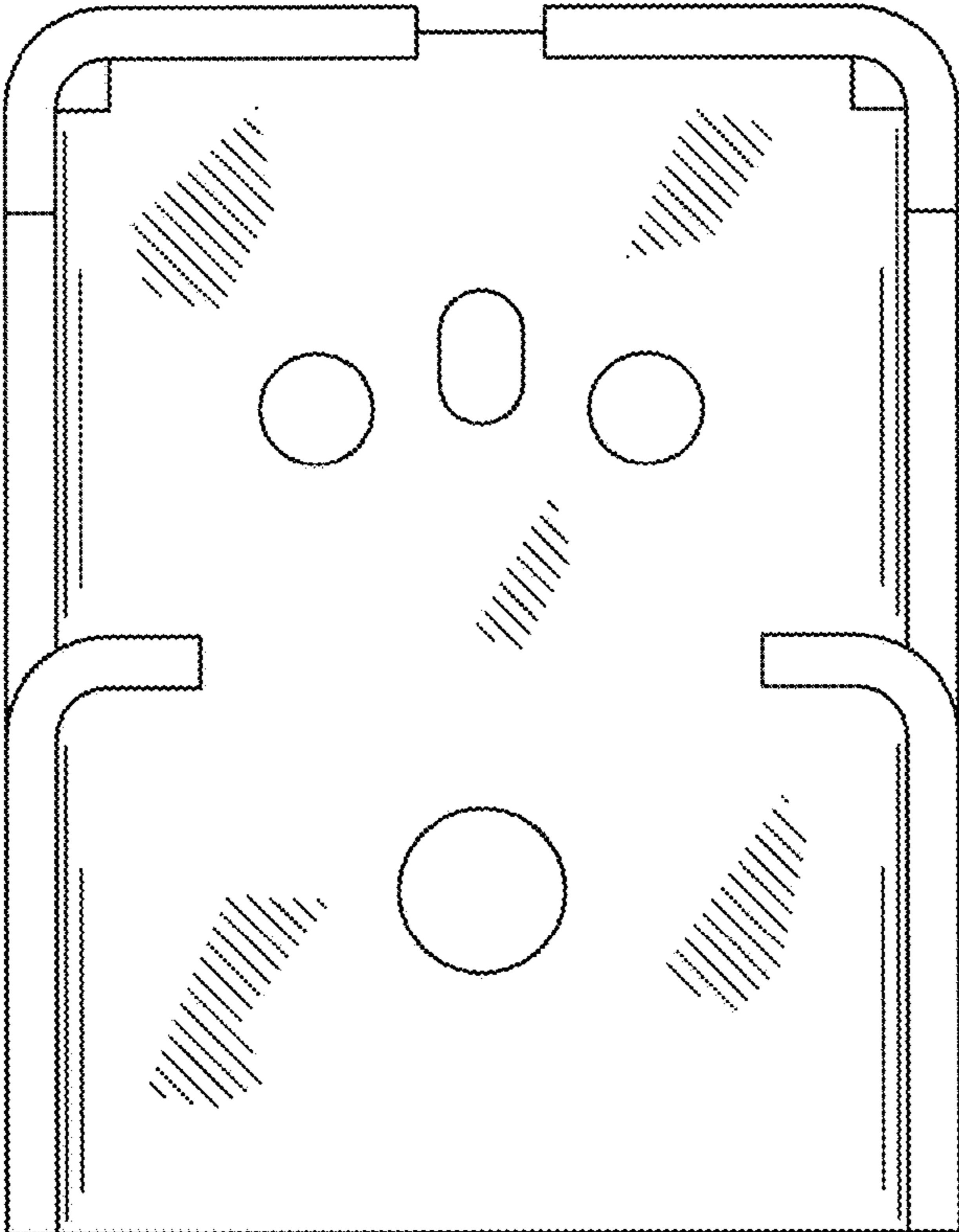


FIG. 16

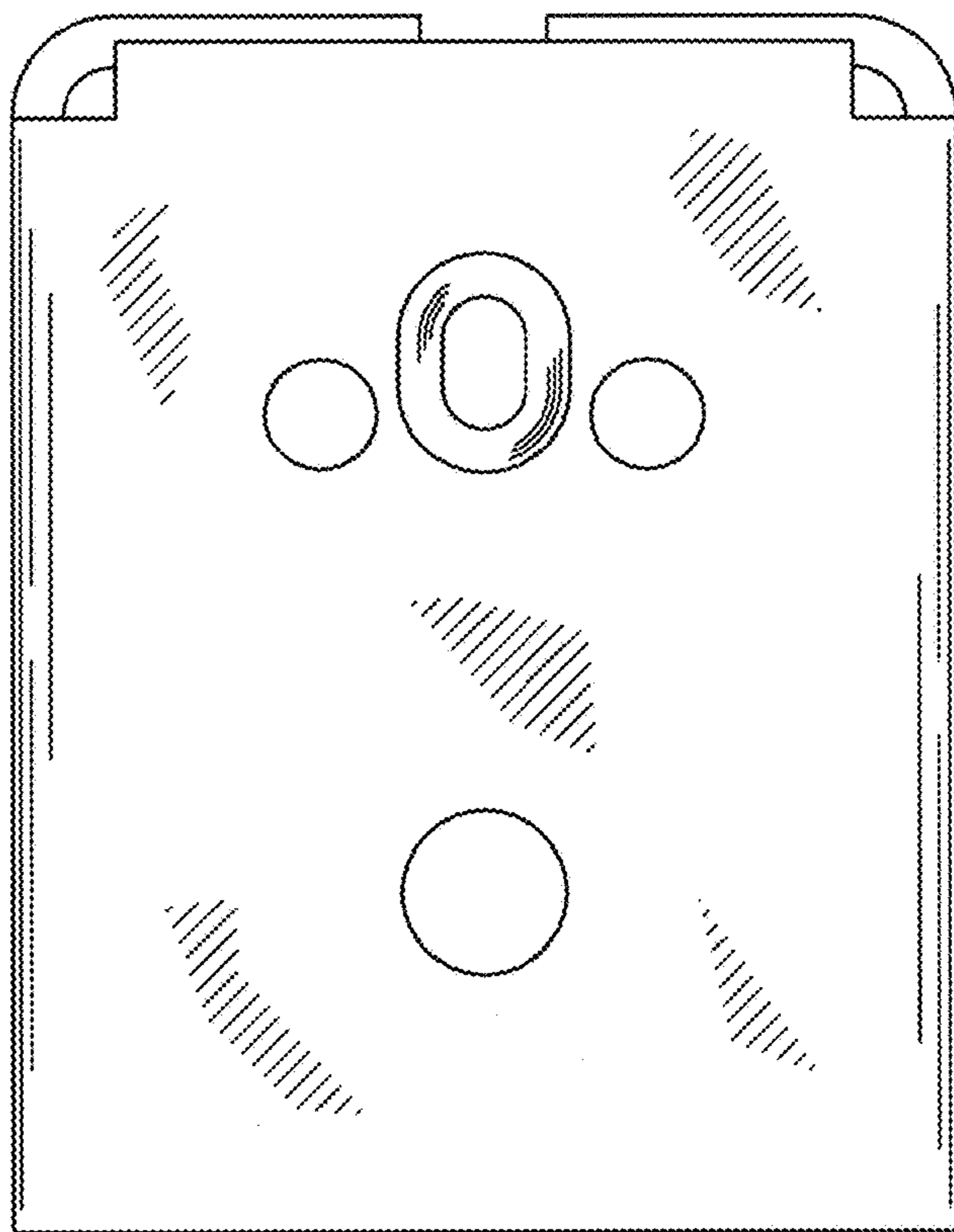


FIG. 17

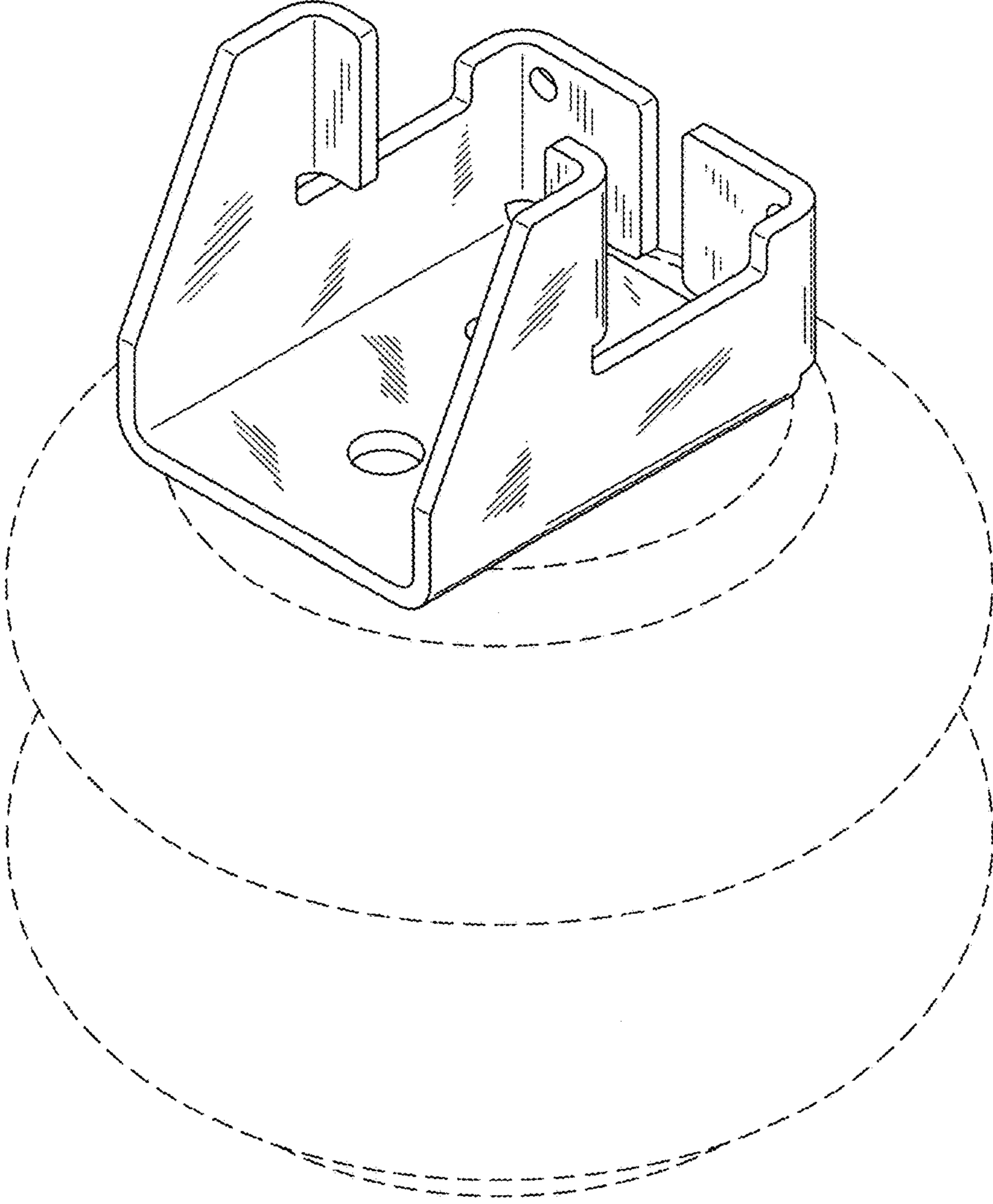


FIG. 18

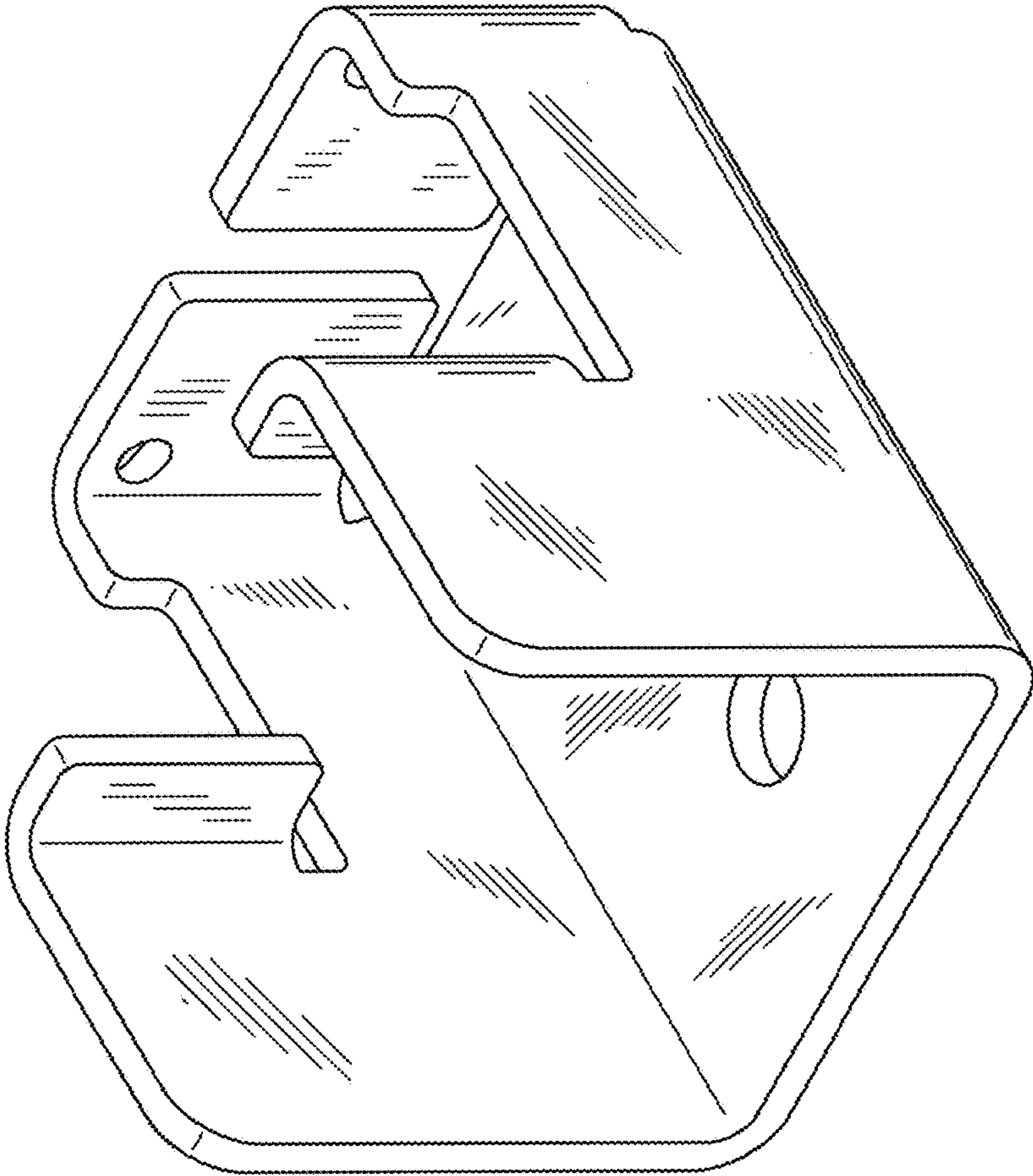


FIG. 19

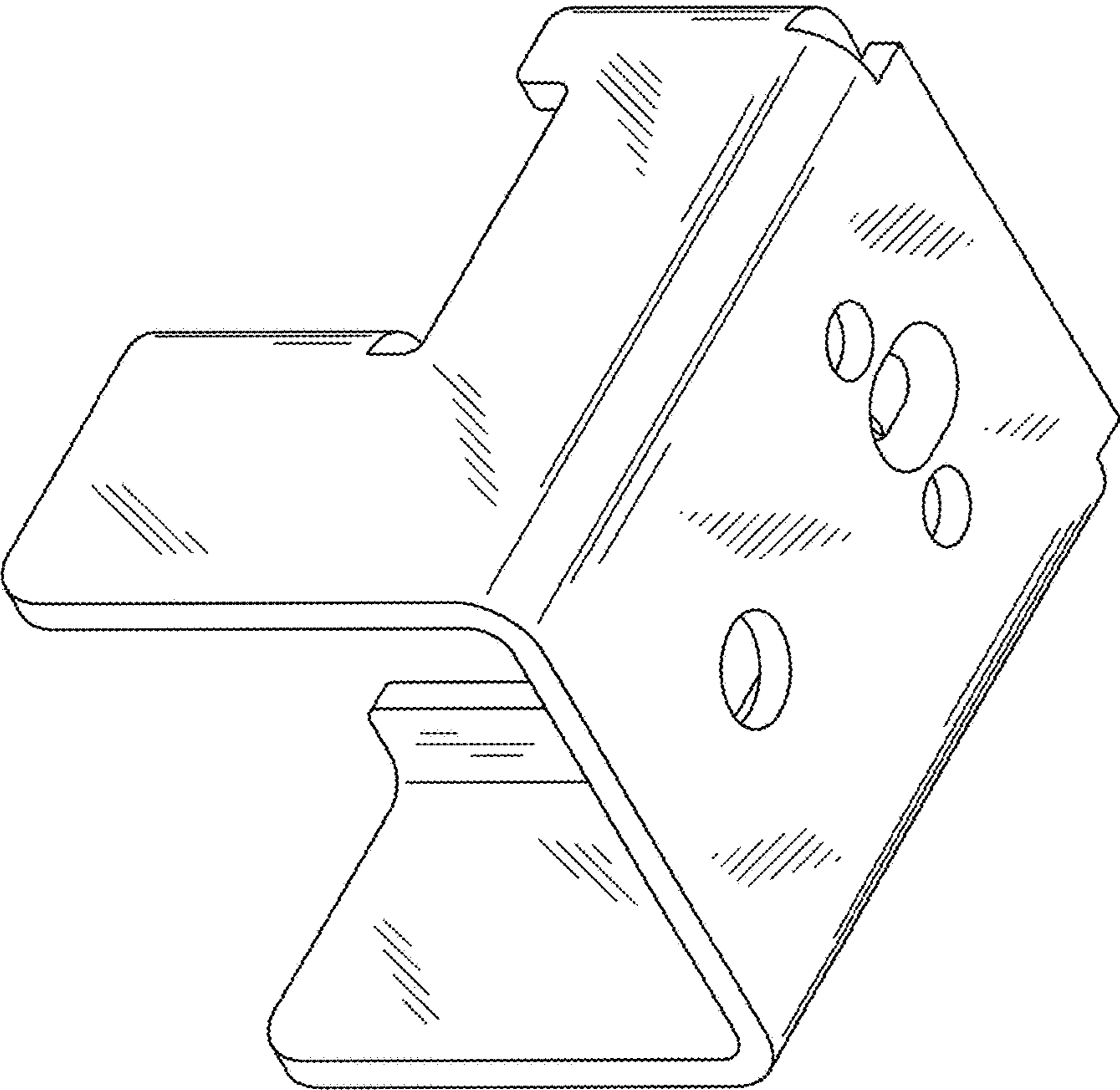


FIG. 20

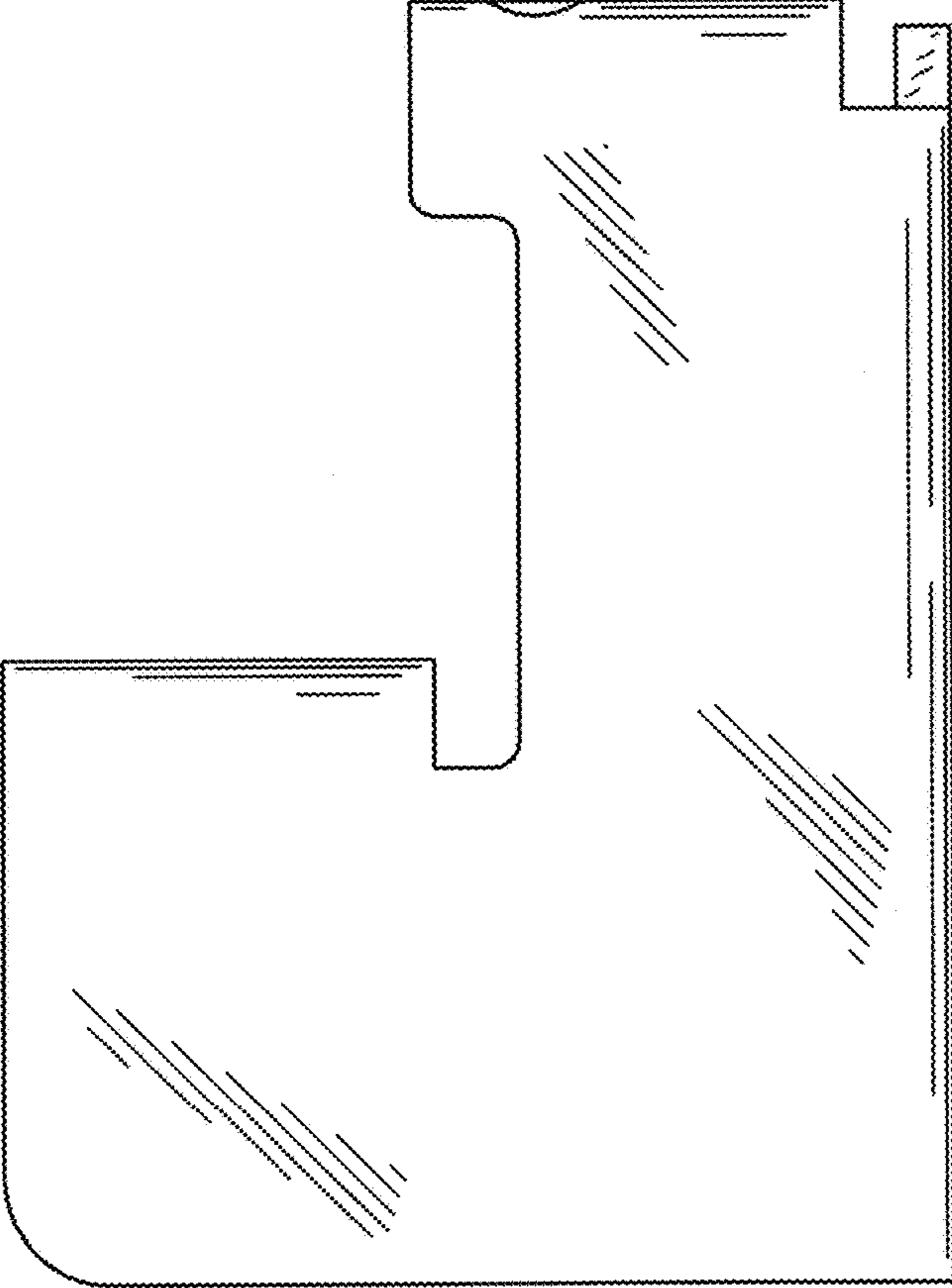


FIG. 21

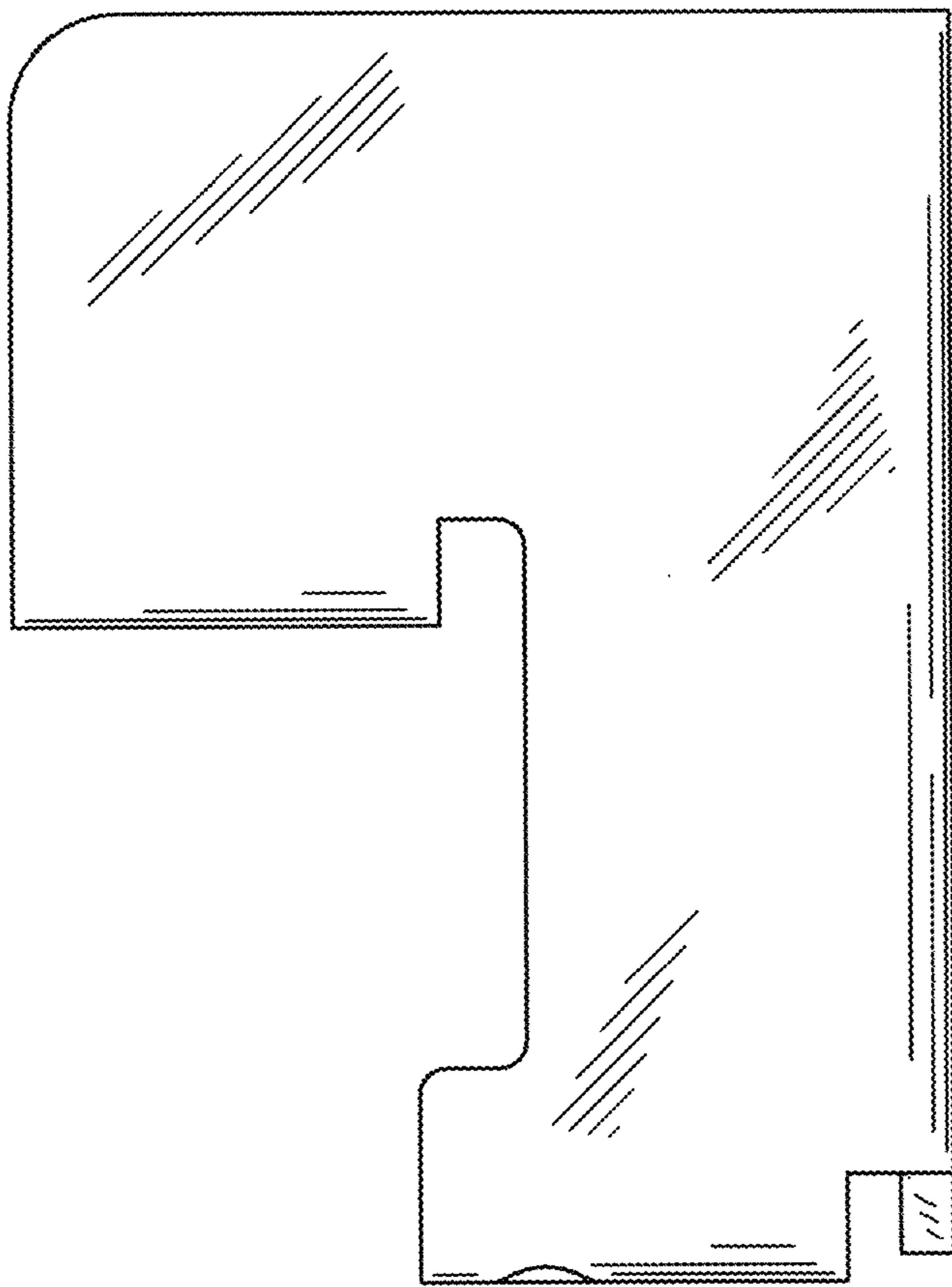


FIG. 22

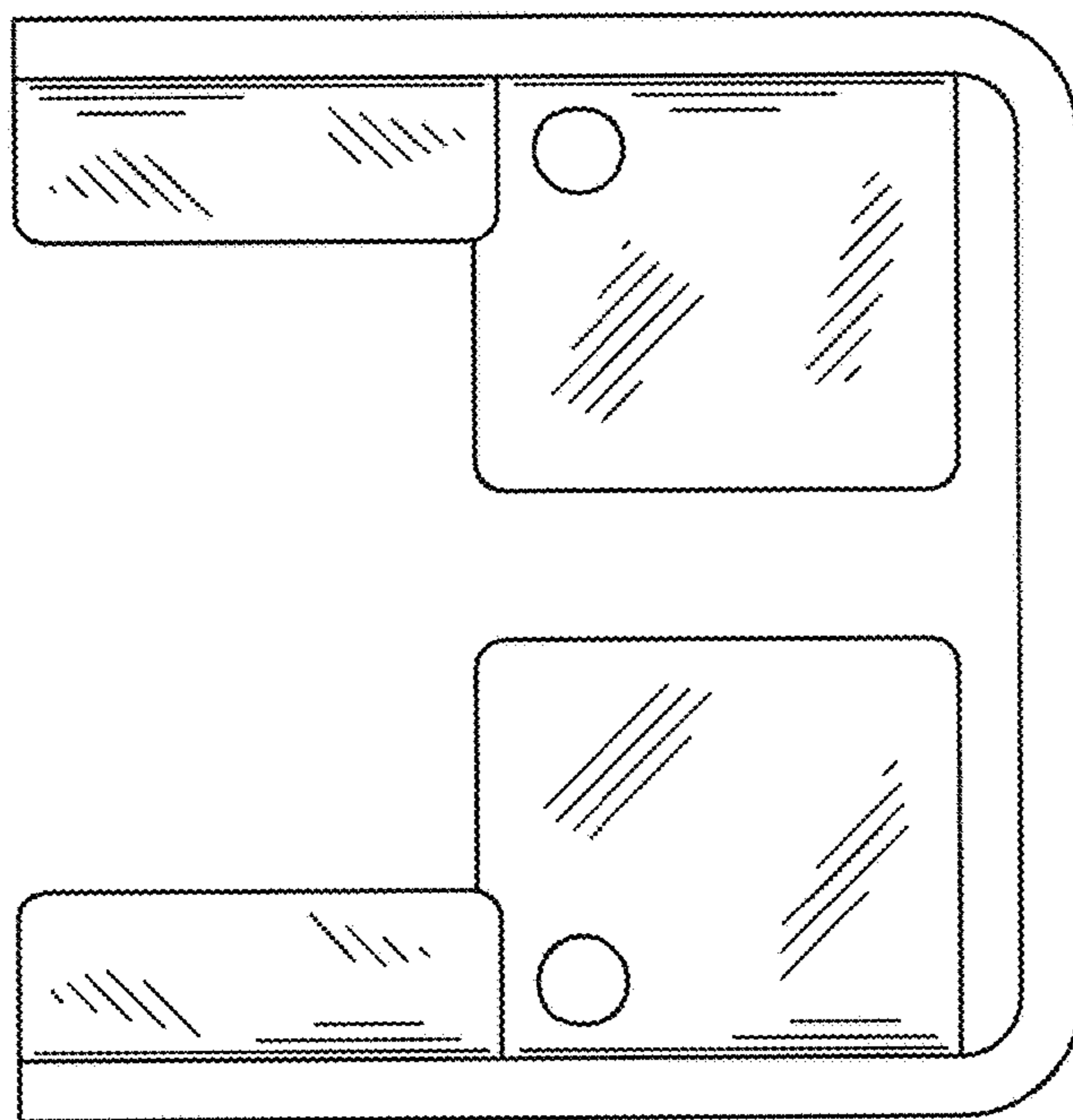


FIG. 23

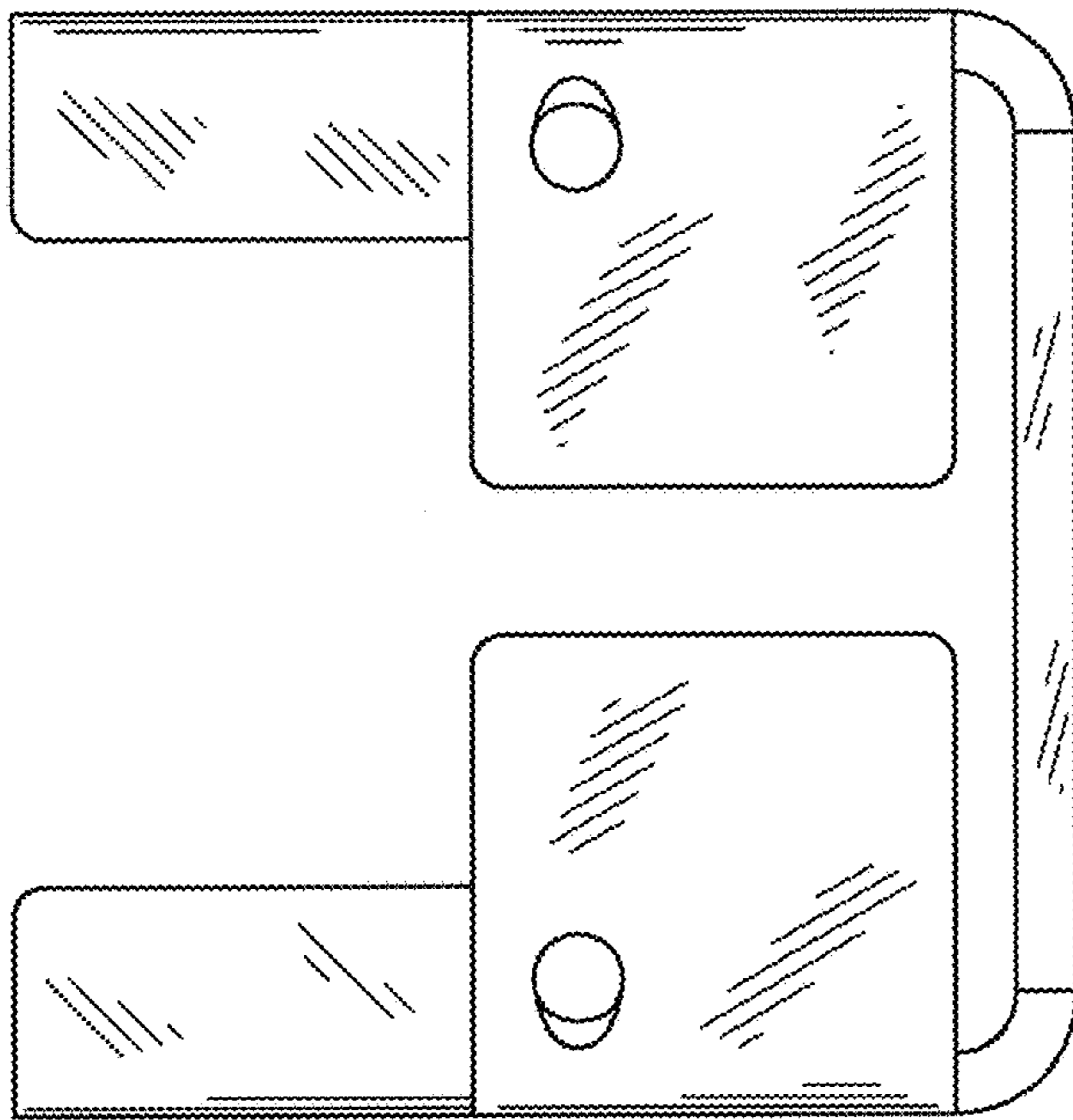


FIG. 24

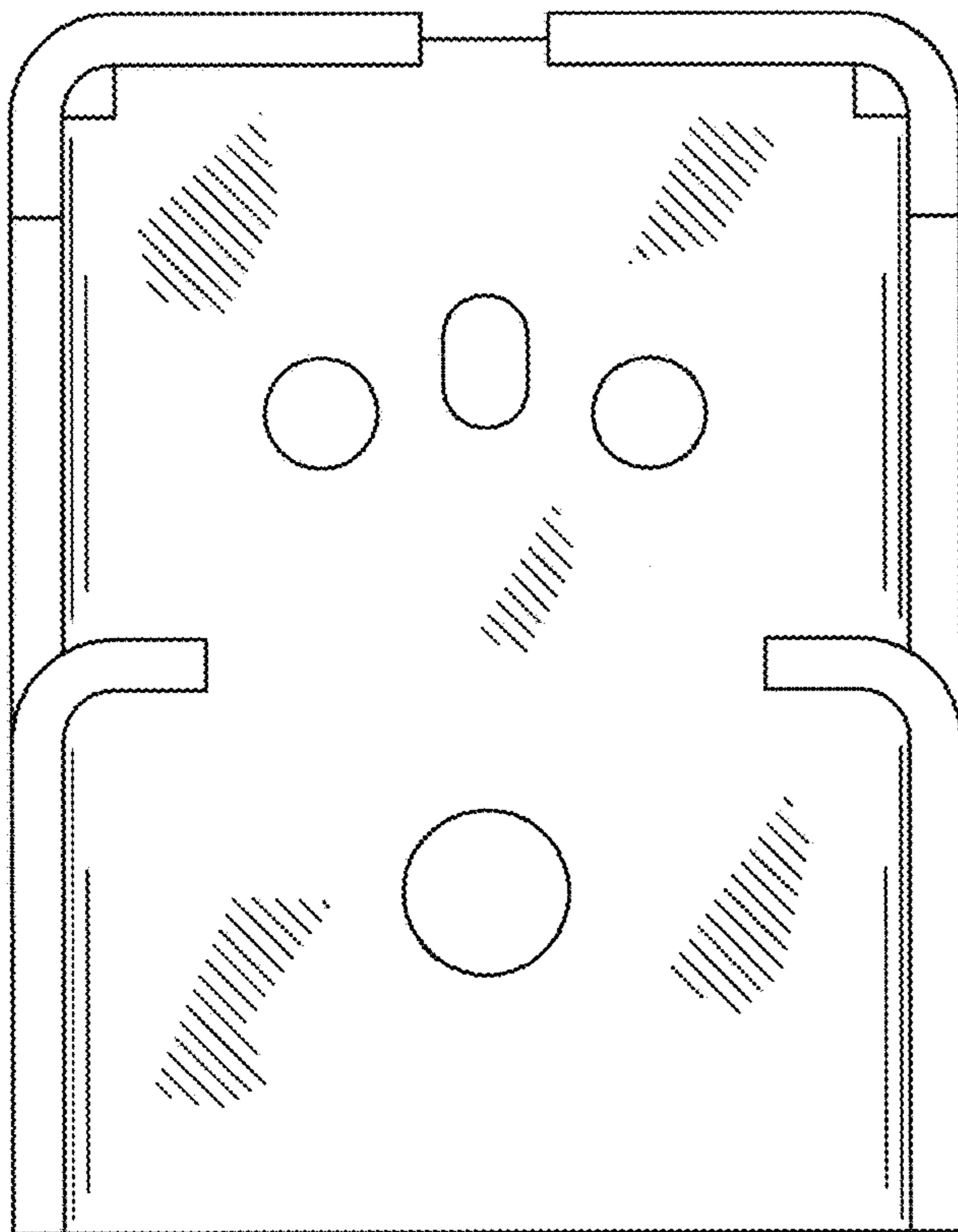


FIG. 25

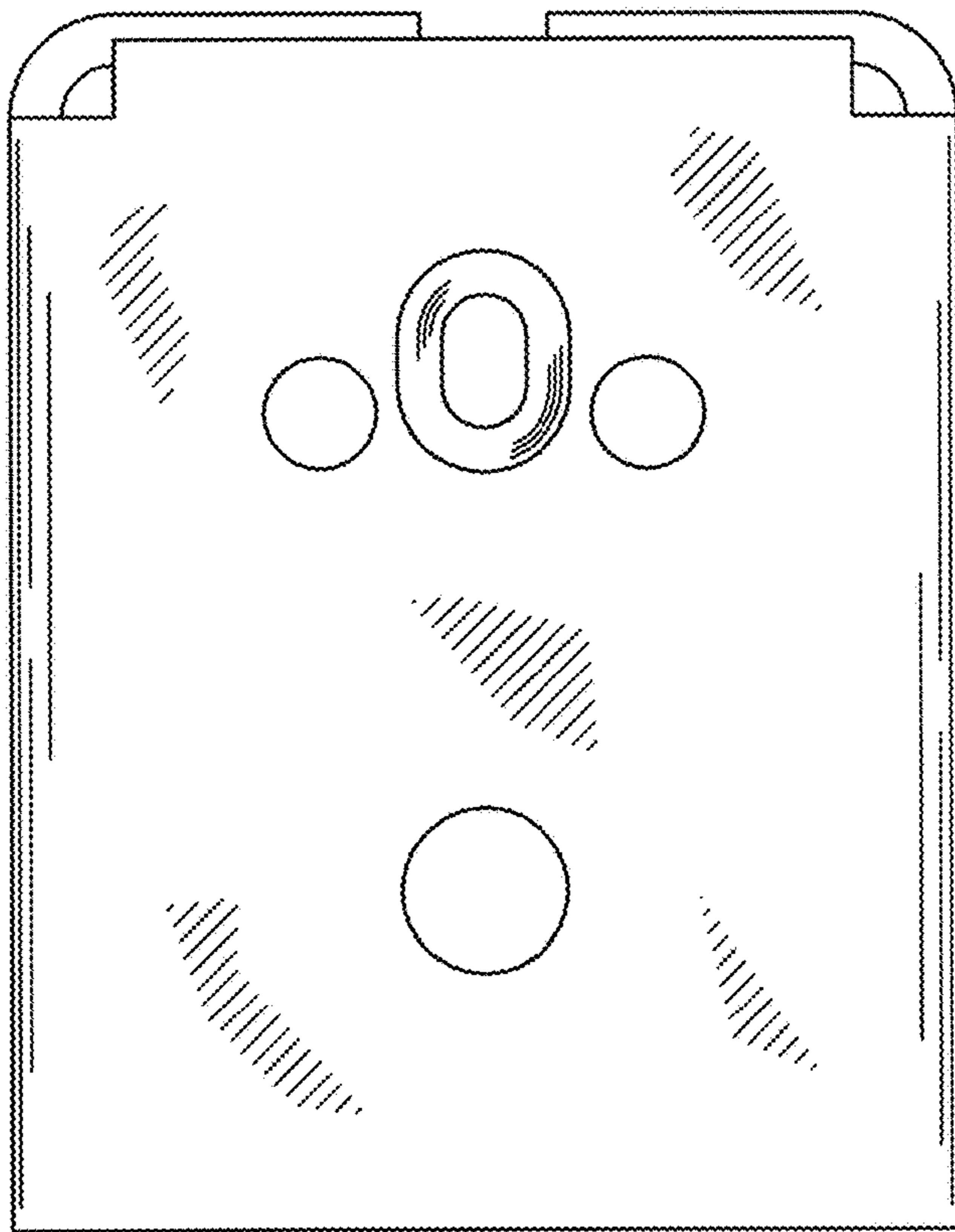


FIG. 26

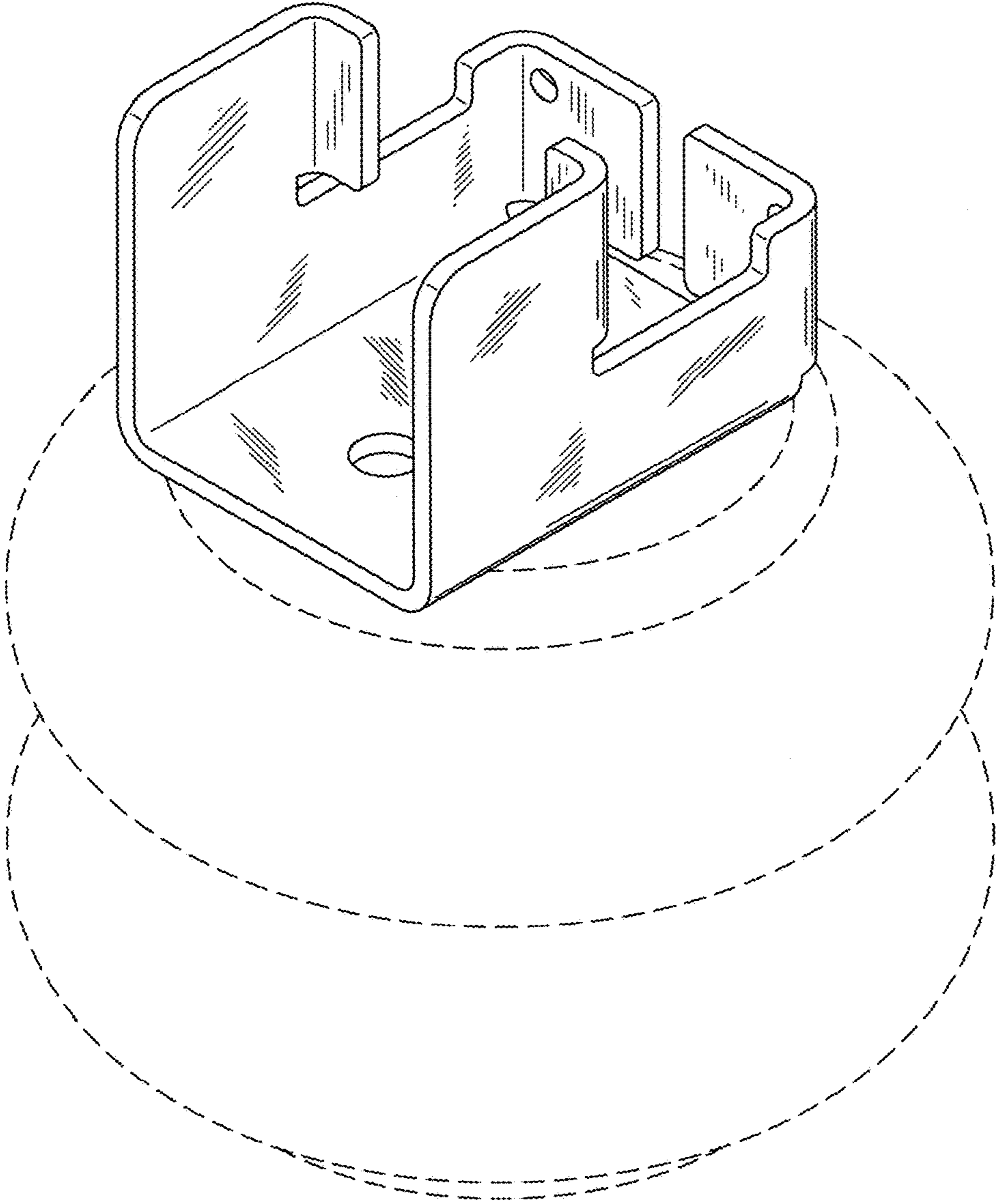


FIG. 27