



US00D829535S

(12) **United States Design Patent**  
**Barlow**

(10) **Patent No.:** **US D829,535 S**  
(45) **Date of Patent:** **\*\* Oct. 2, 2018**

- (54) **JUNCTION BOX**
- (71) Applicant: **308, LLC**, St. Petersburg, FL (US)
- (72) Inventor: **David R. Barlow**, St. Petersburg, FL (US)
- (73) Assignee: **308, LLC**, St. Petersburg, FL (US)
- (\*\*) Term: **15 Years**
- (21) Appl. No.: **29/609,891**
- (22) Filed: **Jul. 6, 2017**
- (51) **LOC (11) Cl.** ..... **09-06**
- (52) **U.S. Cl.**  
USPC ..... **D8/356; D8/349**
- (58) **Field of Classification Search**  
USPC ..... D8/360, 356, 354, 349; 361/826  
CPC ..... A63B 29/00; A63B 27/00; B63B 59/02;  
B63B 21/045; H05K 5/0247  
See application file for complete search history.

(56) **References Cited**

**U.S. PATENT DOCUMENTS**

- 5,335,349 A \* 8/1994 Kutsch ..... F16G 13/16  
375/257
- 5,427,339 A \* 6/1995 Pauli ..... B05B 15/00  
188/32
- D432,902 S \* 10/2000 Thiel ..... D8/354
- 6,227,502 B1 \* 5/2001 Derman ..... F16L 3/2235  
248/68.1
- 6,378,811 B1 \* 4/2002 Potter ..... F16L 3/222  
248/49
- 6,476,327 B1 \* 11/2002 Bernard ..... H02G 3/045  
174/101
- 6,528,728 B1 \* 3/2003 Shima ..... H02G 3/0437  
174/101
- 6,706,969 B1 \* 3/2004 Young ..... F16L 3/22  
174/95
- D492,928 S \* 7/2004 Pond ..... D12/217

- 6,997,412 B2 \* 2/2006 Komiya ..... F16G 13/16  
242/615.2
- D571,190 S \* 6/2008 Spadotto ..... B65H 75/366  
D8/356
- D589,782 S \* 4/2009 Rowell ..... D8/356
- 7,617,669 B1 \* 11/2009 Komiya ..... F16G 13/16  
248/49
- 7,700,876 B2 \* 4/2010 Nishikino ..... H02G 3/32  
174/68.1
- 7,806,374 B1 \* 10/2010 Ehmann ..... H02G 3/22  
174/40 R
- D639,147 S \* 6/2011 Surles ..... D8/356
- 8,074,945 B2 \* 12/2011 Schoenau ..... F16L 5/14  
248/316.6
- D662,406 S \* 6/2012 Zhang ..... D8/380
- 8,227,694 B2 \* 7/2012 Murayama ..... B60R 16/0207  
174/101
- 8,254,744 B2 \* 8/2012 Sayres ..... G02B 6/4459  
385/137

(Continued)

*Primary Examiner* — Cynthia R Underwood  
(74) *Attorney, Agent, or Firm* — Larson & Larson, P.A.;  
Frank Liebenow; Justin P. Miller

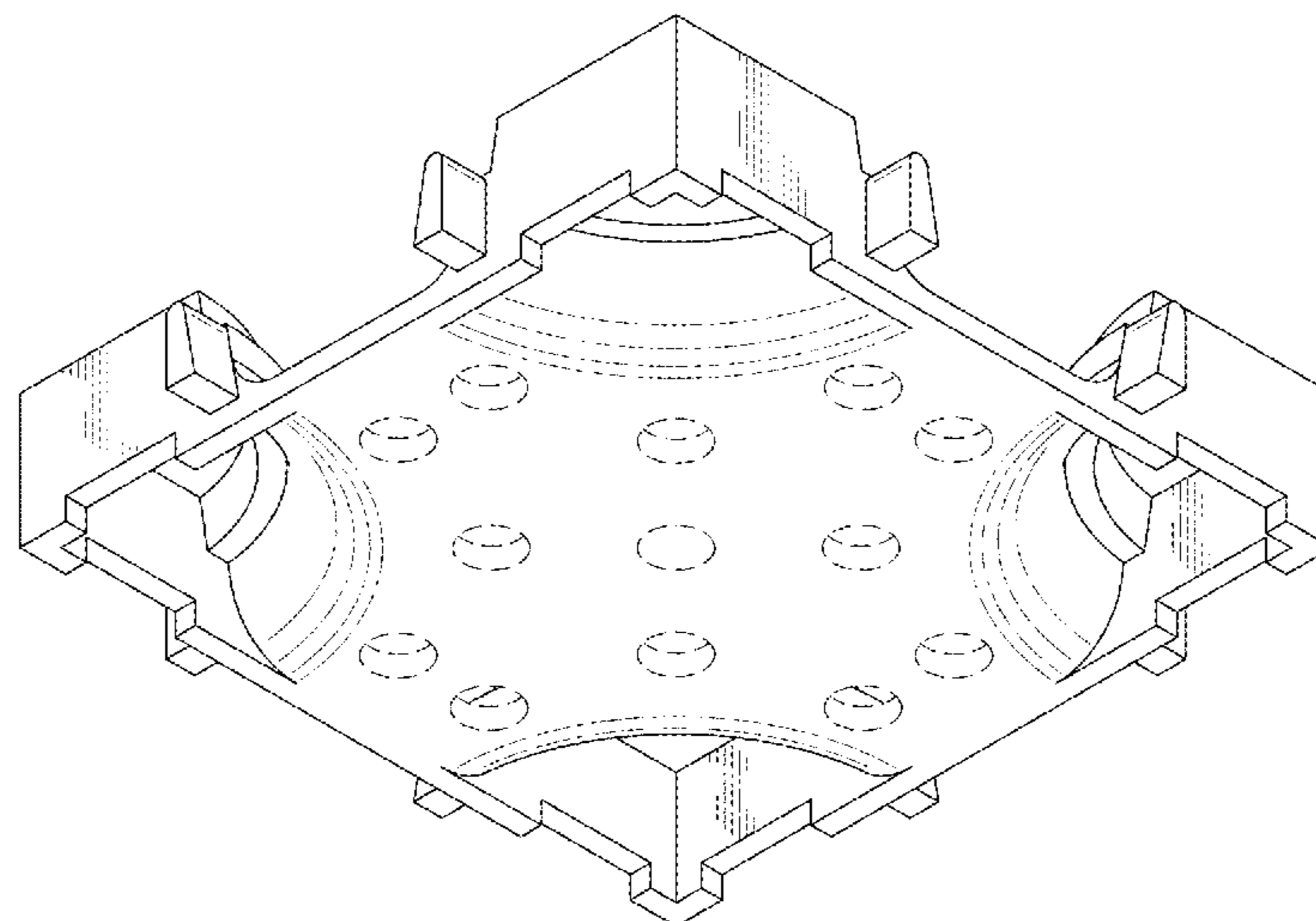
(57) **CLAIM**

I claim the ornamental design for a junction box, as shown and described.

**DESCRIPTION**

FIG. 1 is a front view of a junction box showing my new design;  
FIG. 2 is a rear view thereof;  
FIG. 3 is a left side view thereof;  
FIG. 4 is a right side view thereof;  
FIG. 5 is a top view thereof;  
FIG. 6 is a bottom view thereof;  
FIG. 7 is a top elevation view thereof; and,  
FIG. 8 is a bottom elevation view thereof.  
The broken lines depict portions of the structure that form no part of the claim.

**1 Claim, 4 Drawing Sheets**



(56)

References Cited

U.S. PATENT DOCUMENTS

8,342,474 B2 *	1/2013	Gilbreath .....	F16L 3/222	165/162	2002/0121571 A1 *	9/2002	Ferris .....	G02B 6/4459	D8/356
D687,546 S *	8/2013	Baid .....	D24/128		2004/0112625 A1 *	6/2004	Sheikholeslami .....	F16G 13/16	D8/349
D691,875 S *	10/2013	Ganski .....	D8/356		2005/0217883 A1 *	10/2005	Ewer .....	H02G 3/0418	D8/349
8,561,815 B2 *	10/2013	Higson .....	H05K 7/183	211/41.17	2008/0009165 A1 *	1/2008	Tseng .....	F21V 21/002	D8/356
D713,947 S *	9/2014	Jensen .....	D23/322		2010/0132979 A1 *	6/2010	Chen .....	F16L 3/223	
9,010,063 B2 *	4/2015	Spruiell .....	E04G 21/185	52/699	2012/0257368 A1 *	10/2012	Bohn .....	H04M 1/022	
9,083,159 B2 *	7/2015	Takeuchi .....	H02G 3/0475		2012/0267164 A1 *	10/2012	Reuss .....	H02G 3/0487	
9,368,951 B2 *	6/2016	Komiya .....	F16L 3/015		2013/0001375 A1 *	1/2013	Geng .....	H02G 3/32	
D769,105 S *	10/2016	Tomney .....	D12/217						248/74.3
D771,478 S *	11/2016	McCoy .....	D8/354						
D789,526 S *	6/2017	Serafini .....	D24/128						
D790,127 S *	6/2017	Verleur .....	D27/183						
D795,046 S *	8/2017	McCoy .....	D8/354						
D801,152 S *	10/2017	Bishop .....	D8/356						
D807,729 S *	1/2018	Willshare .....	D8/356						

\* cited by examiner

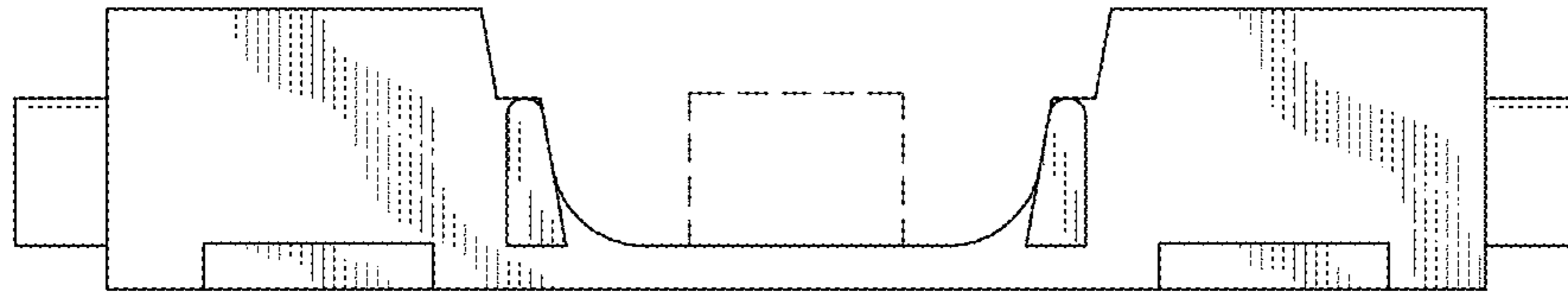


FIG. 1

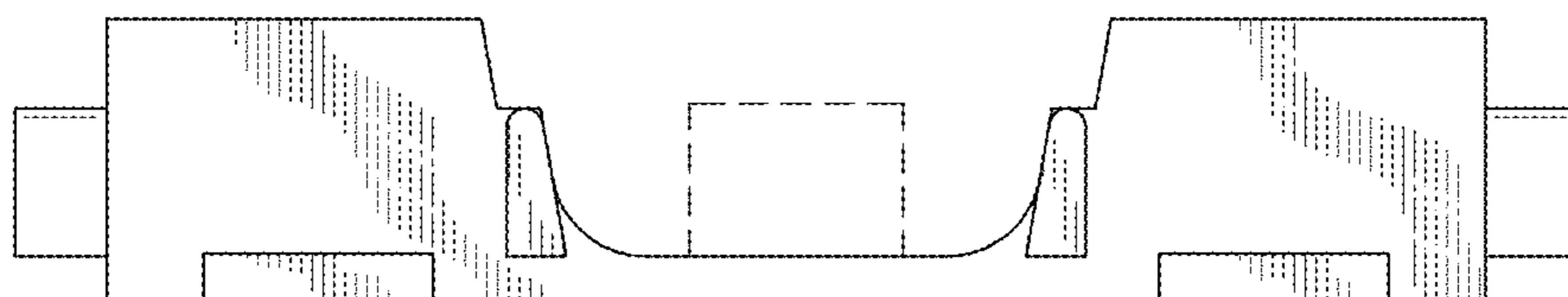
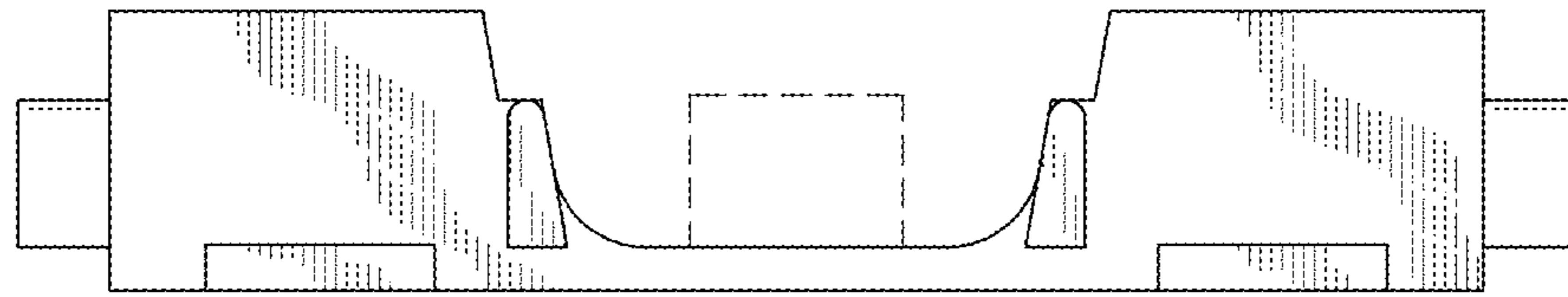
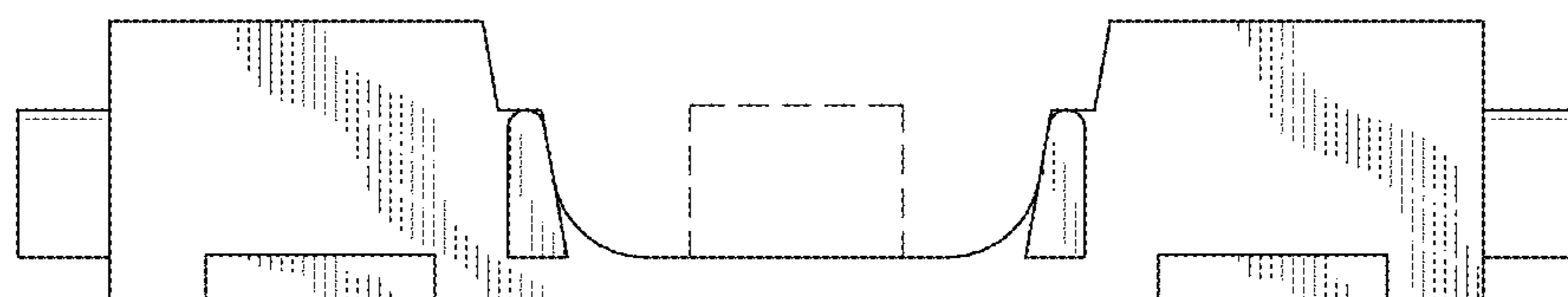


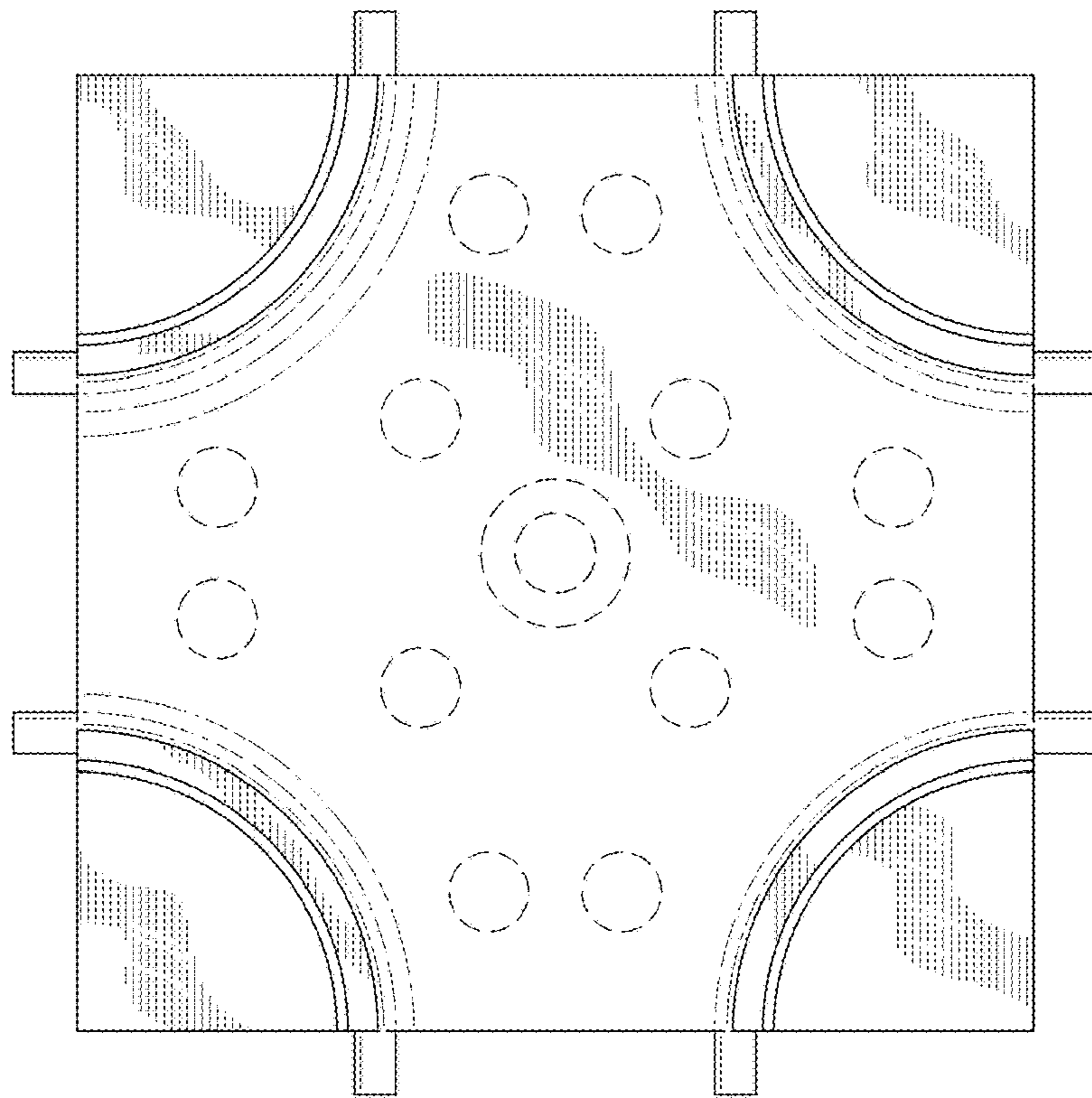
FIG. 2



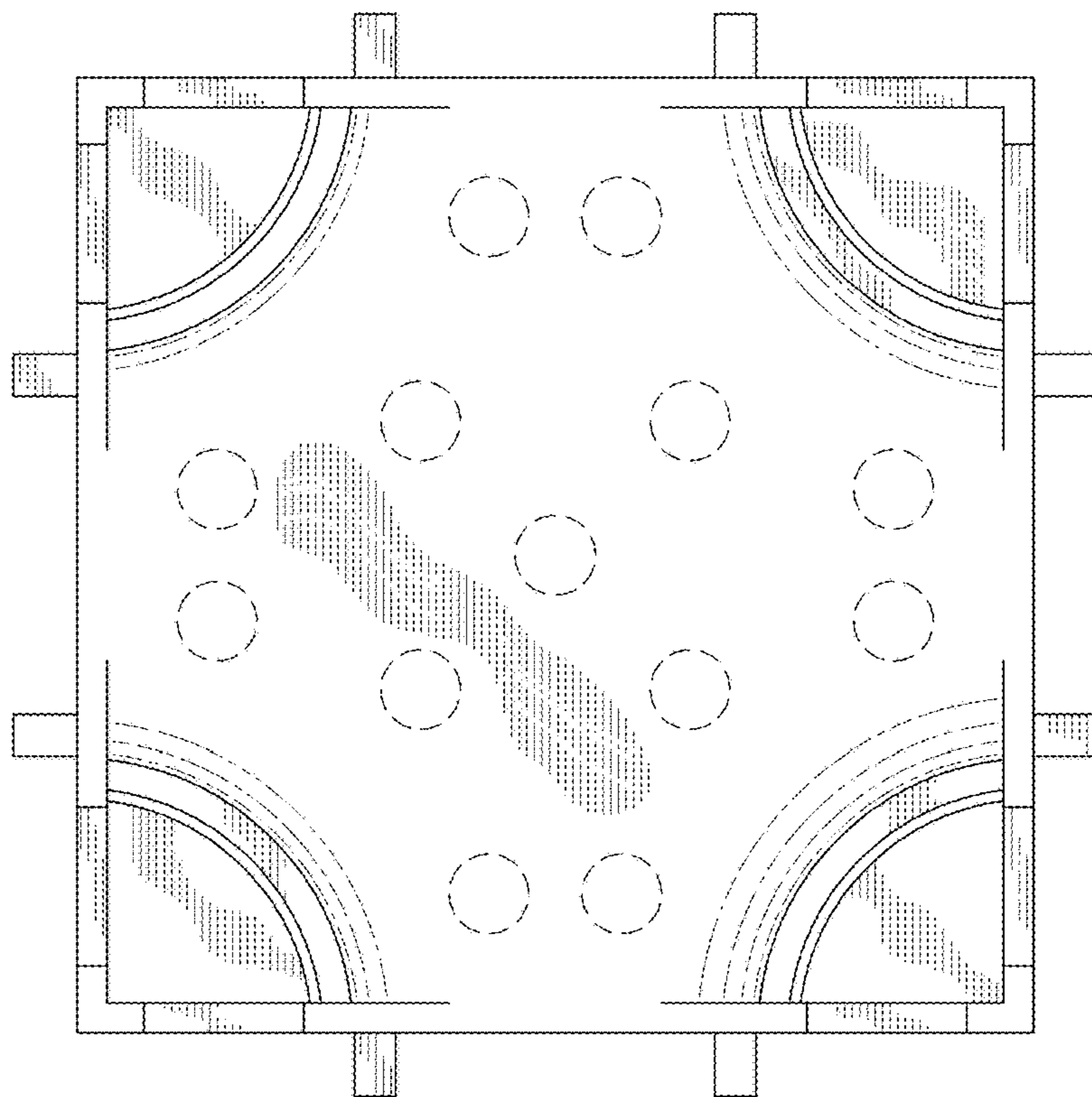
**FIG. 3**



**FIG. 4**



**FIG. 5**



**FIG. 6**

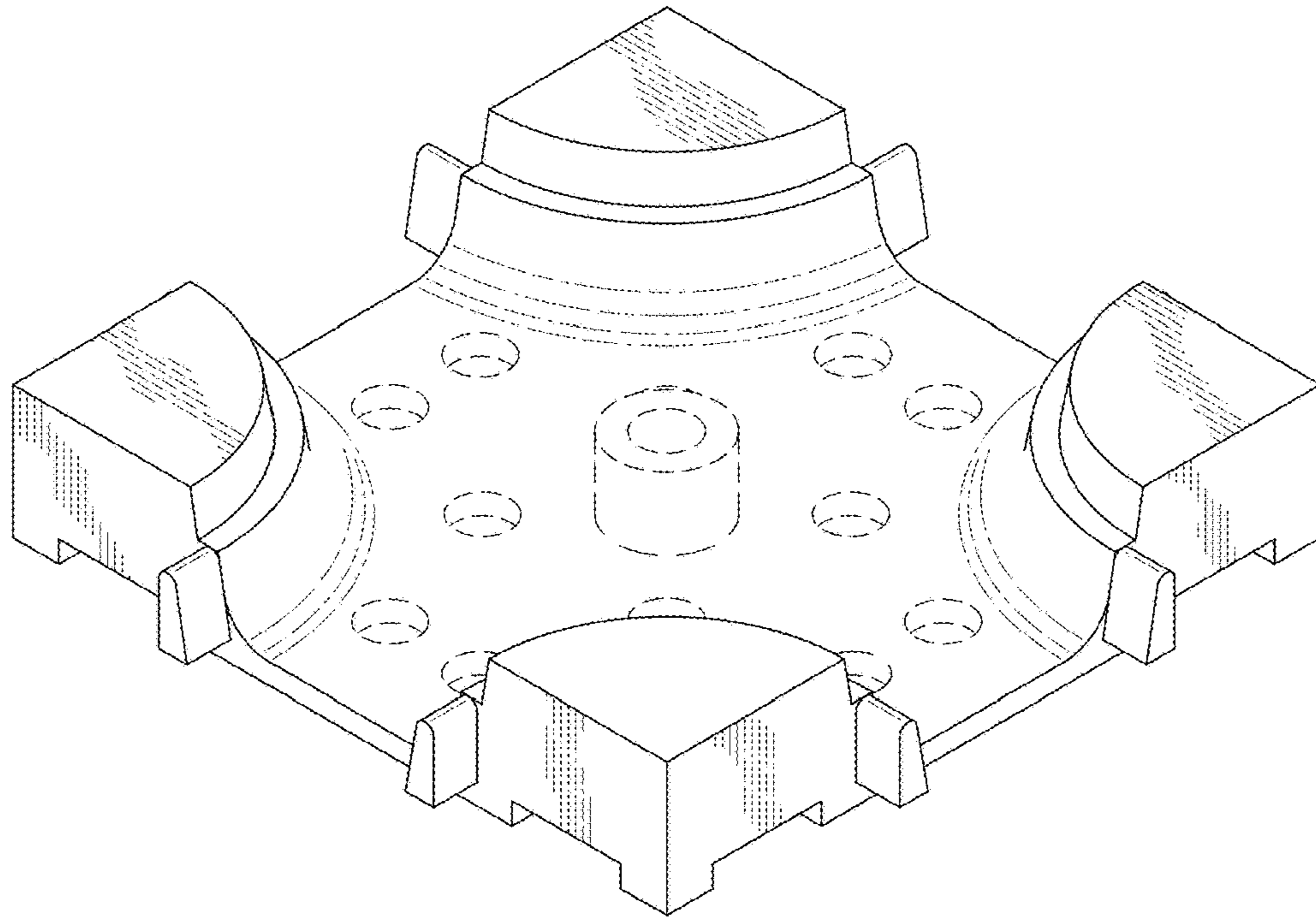


FIG. 7

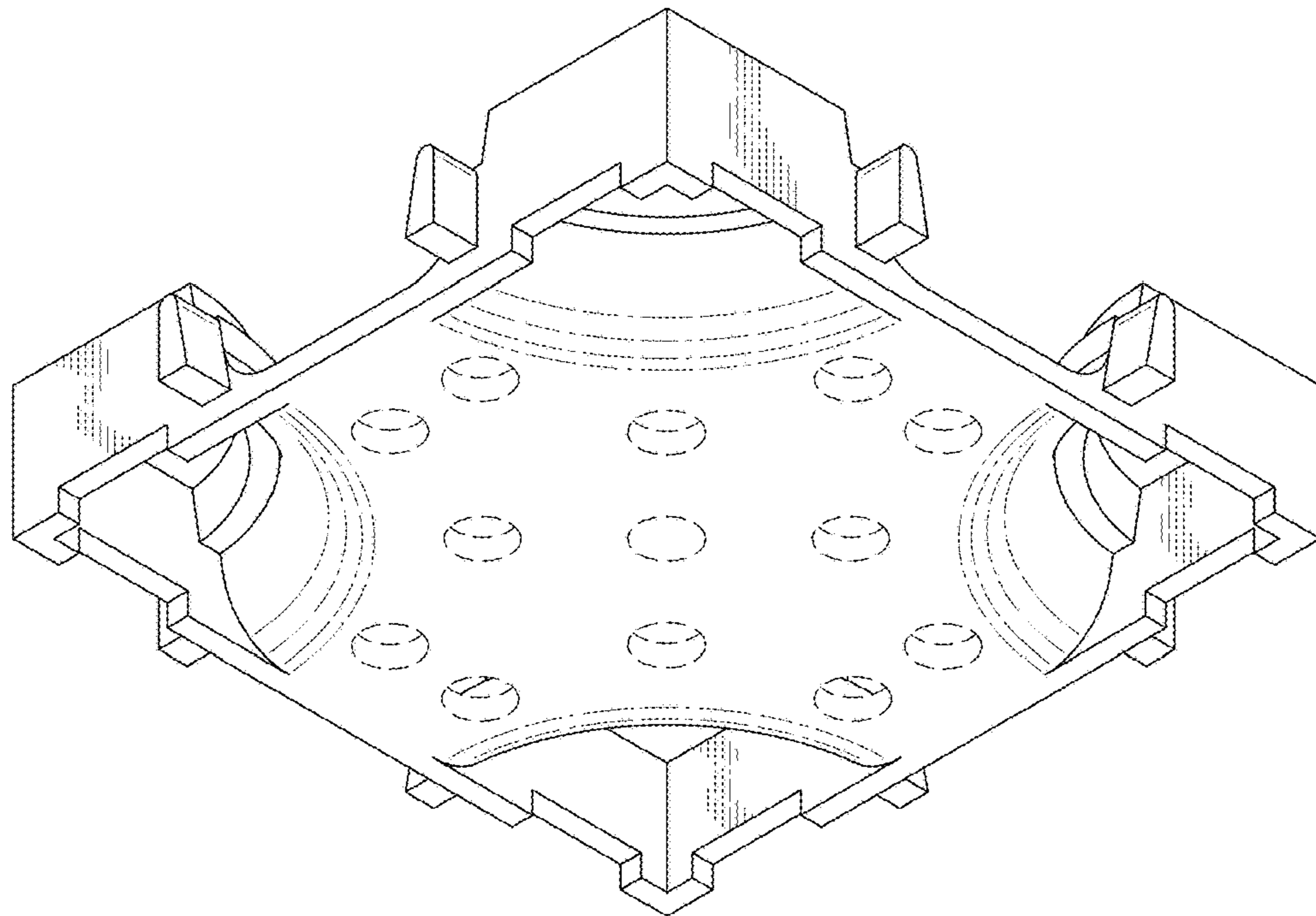


FIG. 8