



US00D829534S

(12) **United States Design Patent** (10) **Patent No.:** **US D829,534 S**  
**Kanter** (45) **Date of Patent:** **\*\* Oct. 2, 2018**

(54) **ADJUSTABLE MOUNTING BRACKET**

(74) *Attorney, Agent, or Firm* — DLA Piper LLP US

(71) Applicant: **HumanCentric Ventures LLC**, Skokie, IL (US)

(57) **CLAIM**

The ornamental design for an adjustable mounting bracket, as shown and described.

(72) Inventor: **Simcha Kanter**, Chicago, IL (US)

**DESCRIPTION**

(73) Assignee: **HUMANCENTRIC VENTURES LLC**, Skokie, IL (US)

FIG. 1 is a perspective view of a first embodiment of the adjustable mounting bracket.

(\*\*) Term: **15 Years**

FIG. 2 is a front view of the first embodiment of the adjustable mounting bracket.

(21) Appl. No.: **29/618,008**

FIG. 3 is a back view of the first embodiment of the adjustable mounting bracket.

(22) Filed: **Sep. 18, 2017**

FIG. 4 is a left side view of the first embodiment of the adjustable mounting bracket, the right side view of the adjustable mounting bracket being a mirror image thereof.

(51) **LOC (11) Cl.** ..... **08-05**

FIG. 5 is a top view of the first embodiment of the adjustable mounting bracket.

(52) **U.S. Cl.**  
USPC ..... **D8/354**

FIG. 6 is a bottom view of the first embodiment of the adjustable mounting bracket.

(58) **Field of Classification Search**  
USPC ..... D8/349, 354–355, 380; 248/218.4, 229.1  
CPC ..... A47H 1/13; A47H 1/12  
See application file for complete search history.

FIG. 7 is a perspective view of the second embodiment of the adjustable mounting bracket.

FIG. 8 is a front view of the second embodiment of the adjustable mounting bracket.

(56) **References Cited**

**U.S. PATENT DOCUMENTS**

D296,075 S *	6/1988	Jones	.....	D15/7
5,553,820 A *	9/1996	Karten	.....	A47B 21/0314 248/181.2
6,164,611 A *	12/2000	Kuhnke	.....	F16M 11/10 248/178.1
D569,232 S *	5/2008	Yoshida	.....	D8/355
D813,020 S *	3/2018	DeDios-Shirley	.....	D8/380
2015/0264823 A1 *	9/2015	Shirley	.....	F16M 13/02 248/287.1

FIG. 9 is a back view of the second embodiment of the adjustable mounting bracket.

FIG. 10 is a left side view of the second embodiment of the adjustable mounting bracket, the right side view of the adjustable mounting bracket being a mirror image thereof.

FIG. 11 is a top view of the second embodiment of the adjustable mounting bracket; and,

FIG. 12 is a bottom view of the second embodiment of the adjustable mounting bracket.

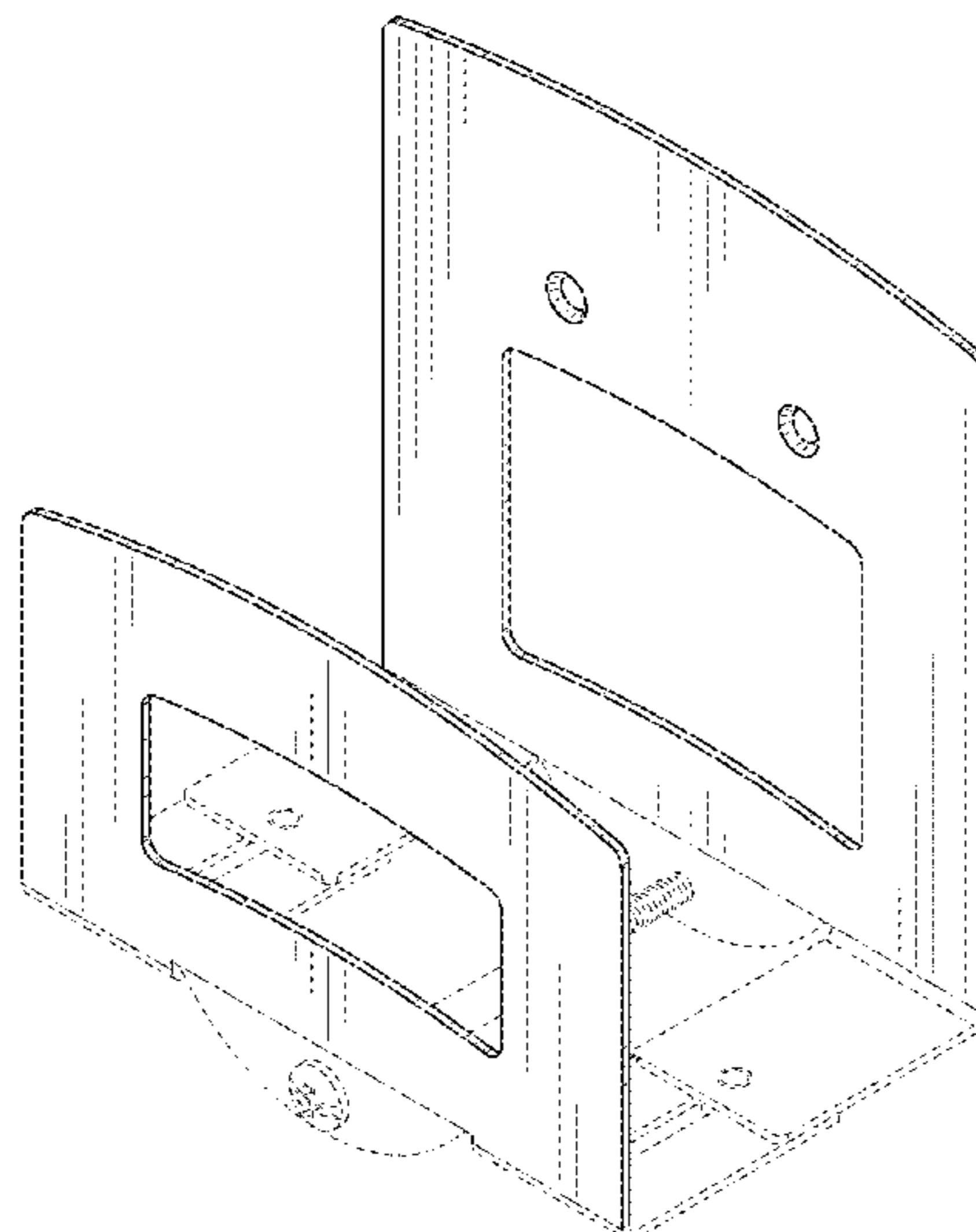
The evenly-spaced broken lines in FIGS. 1-10 illustrate portion of the adjustable mounting bracket that form no part of the claimed design. The dash-dot broken lines in FIGS. 1-3 and 7-9 illustrate the boundary of the claimed design which forms no part thereof.

\* cited by examiner

*Primary Examiner* — Lakiya G Rogers

*Assistant Examiner* — Harold E Blackwell, III

**1 Claim, 6 Drawing Sheets**



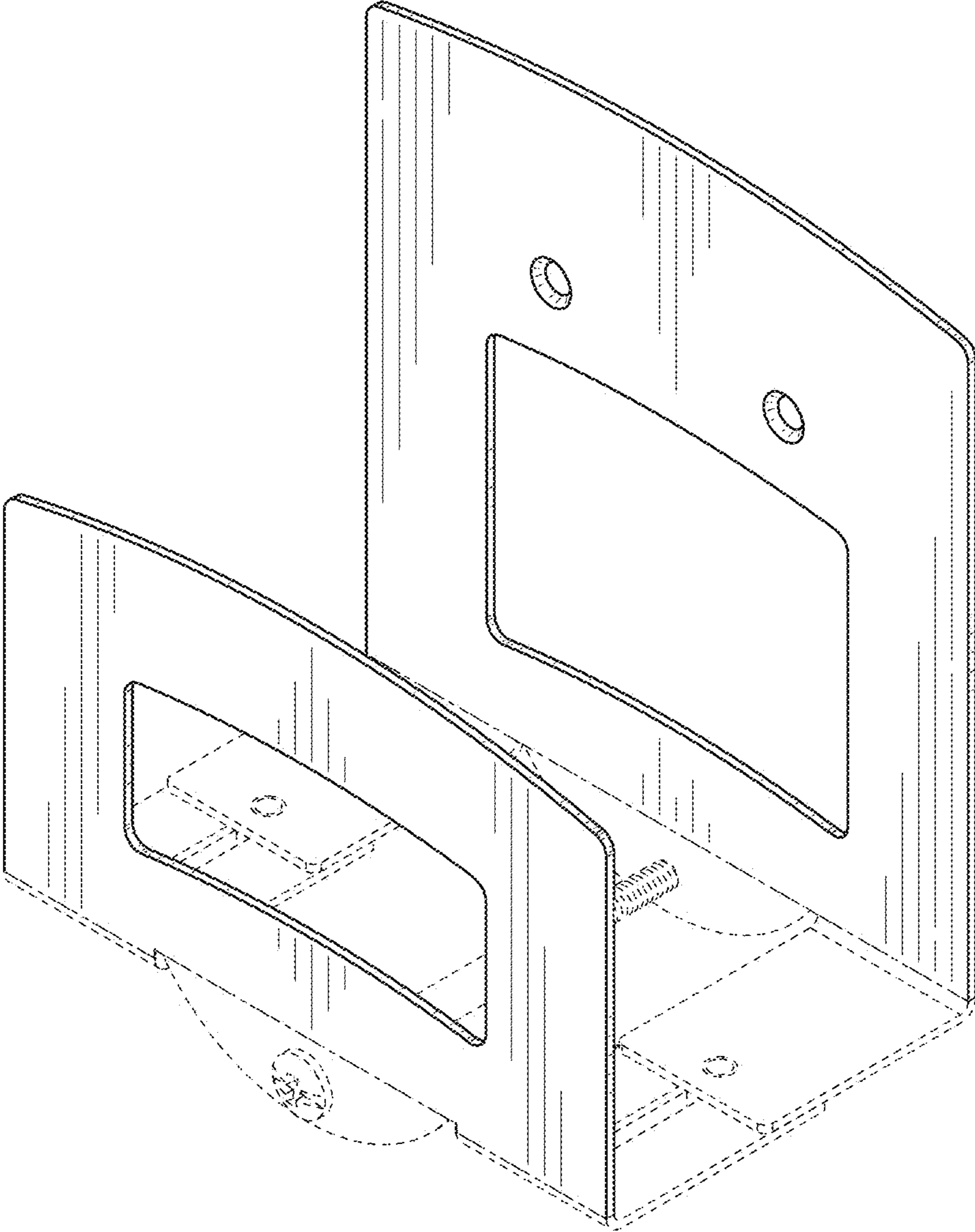


FIG. 1

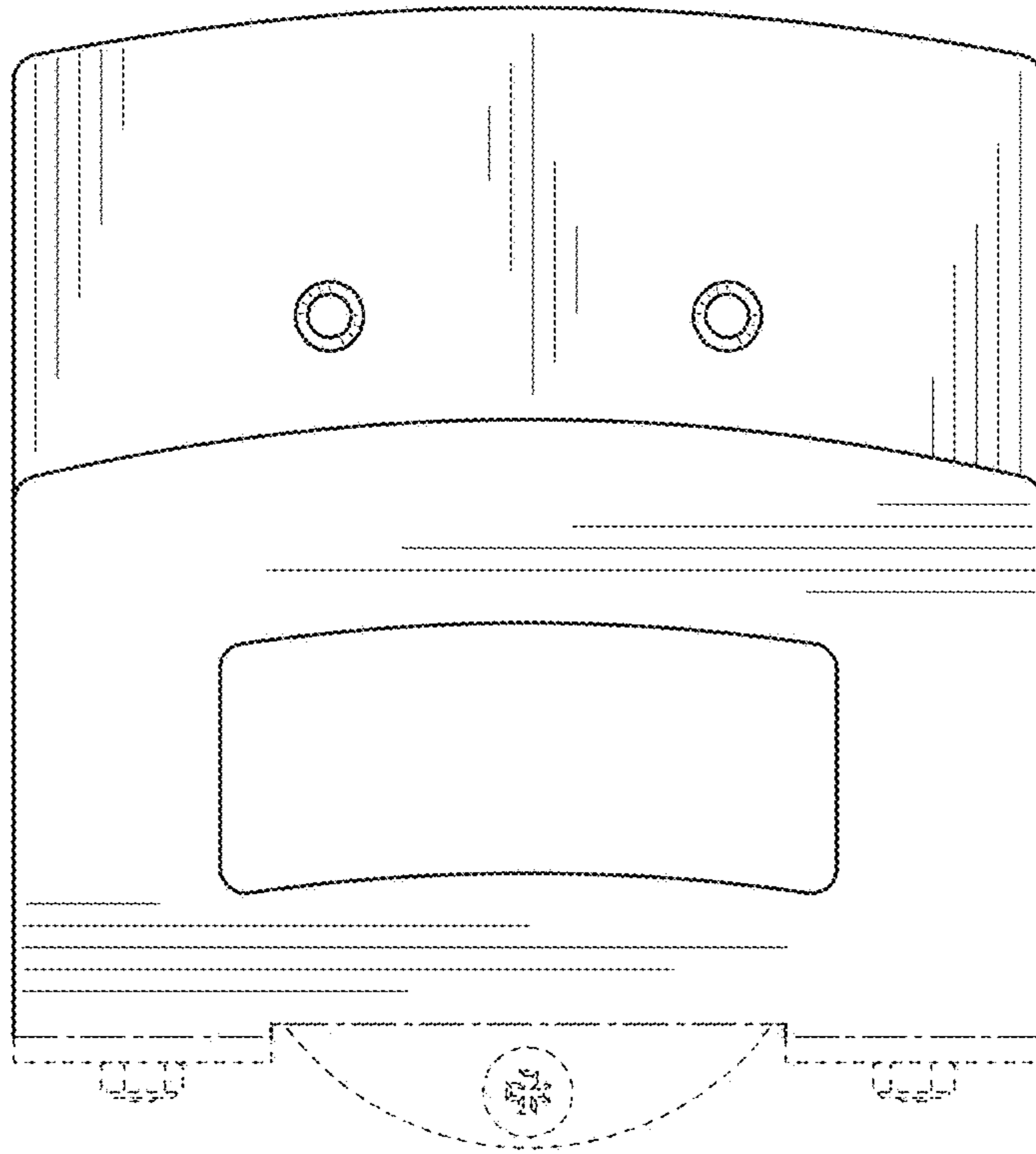


FIG. 2

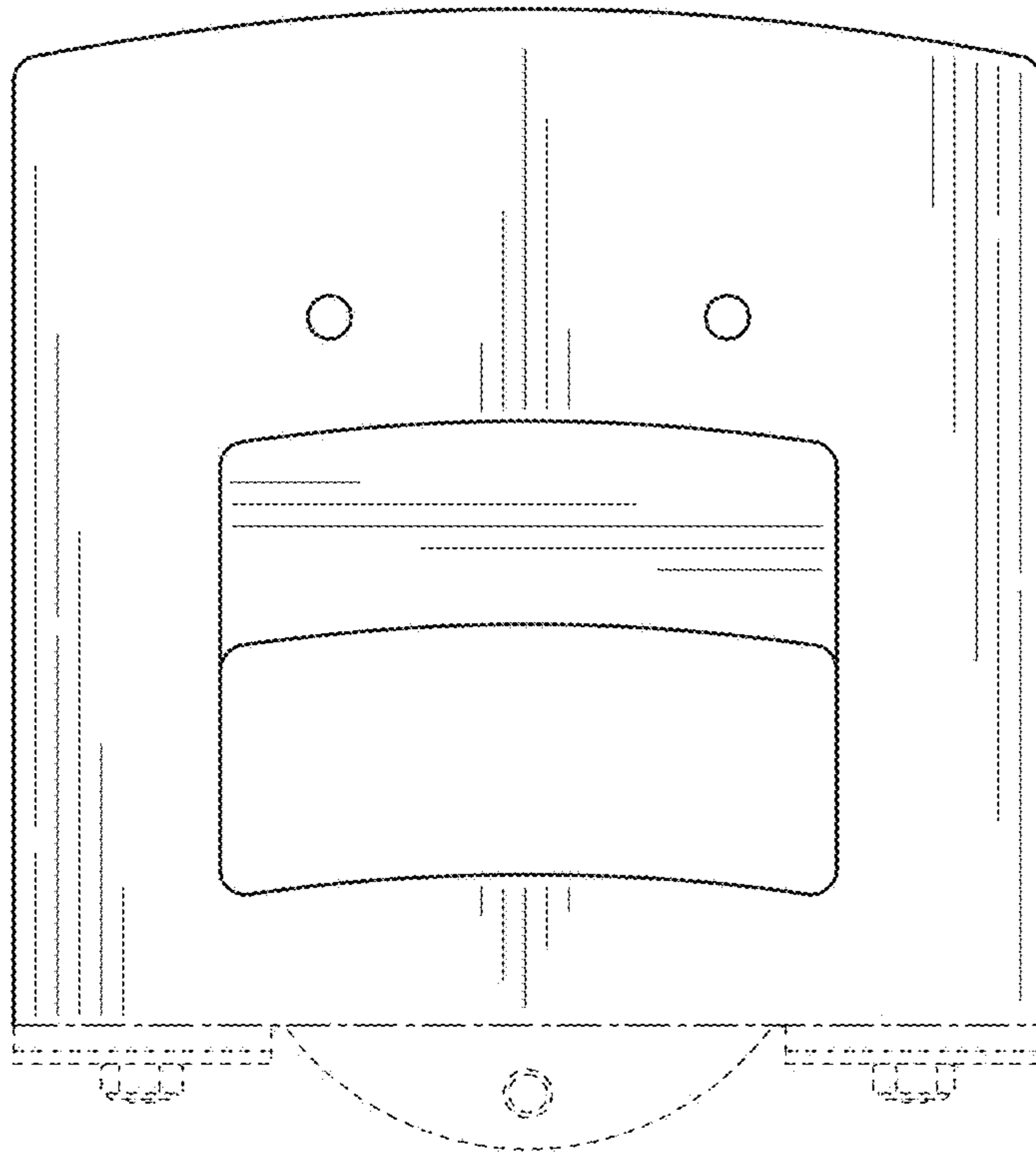


FIG. 3

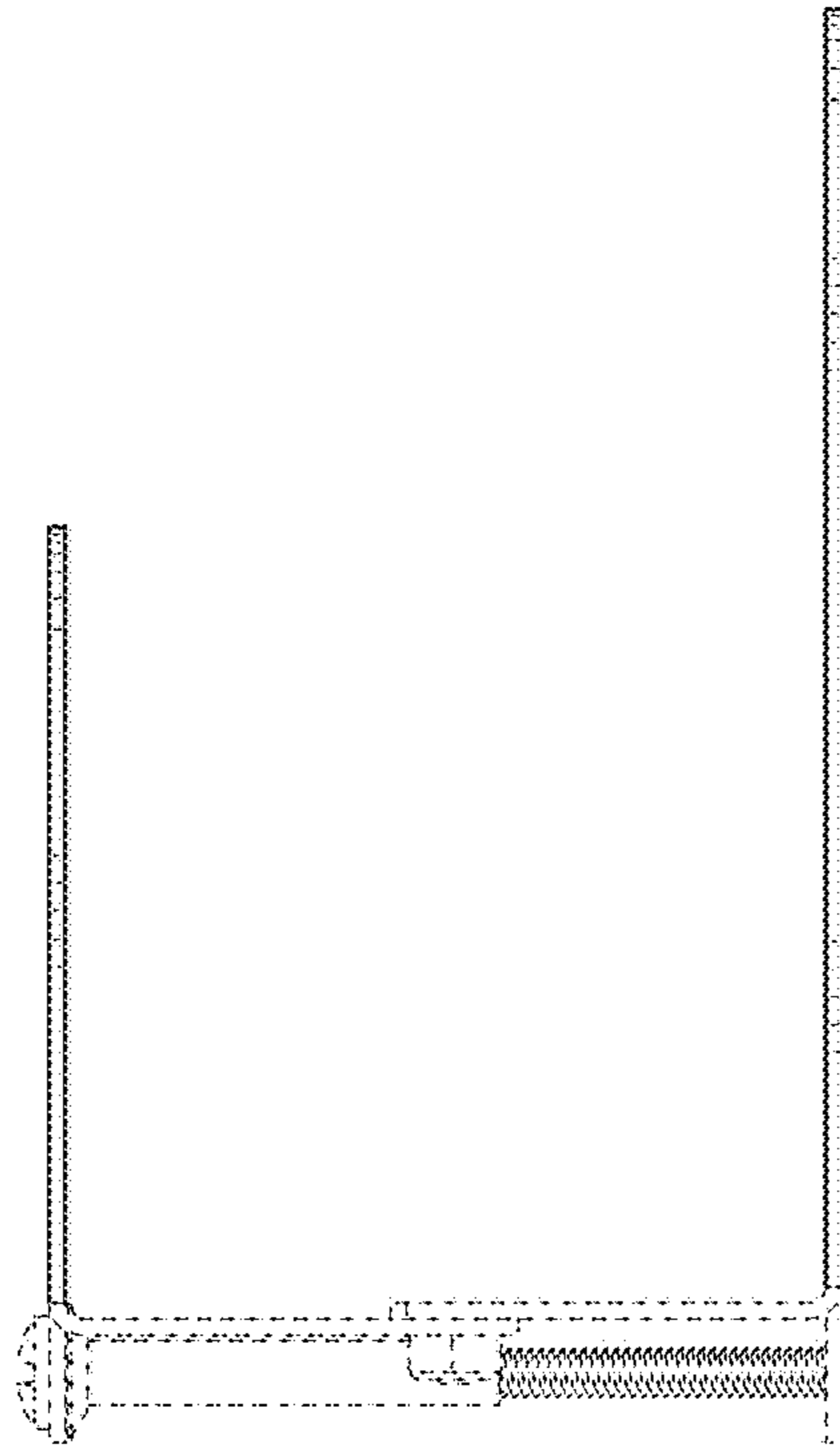


FIG. 4

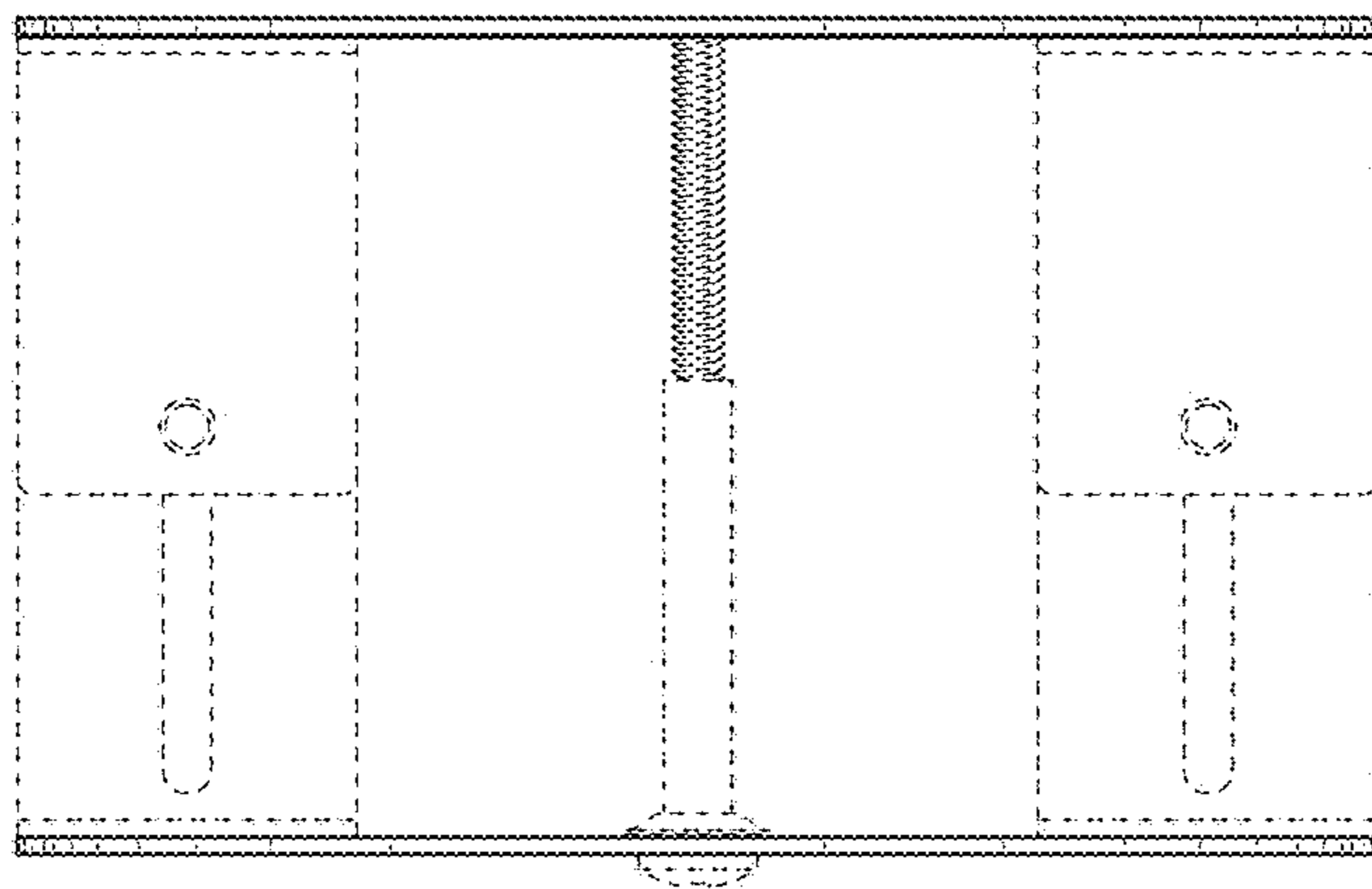


FIG. 5

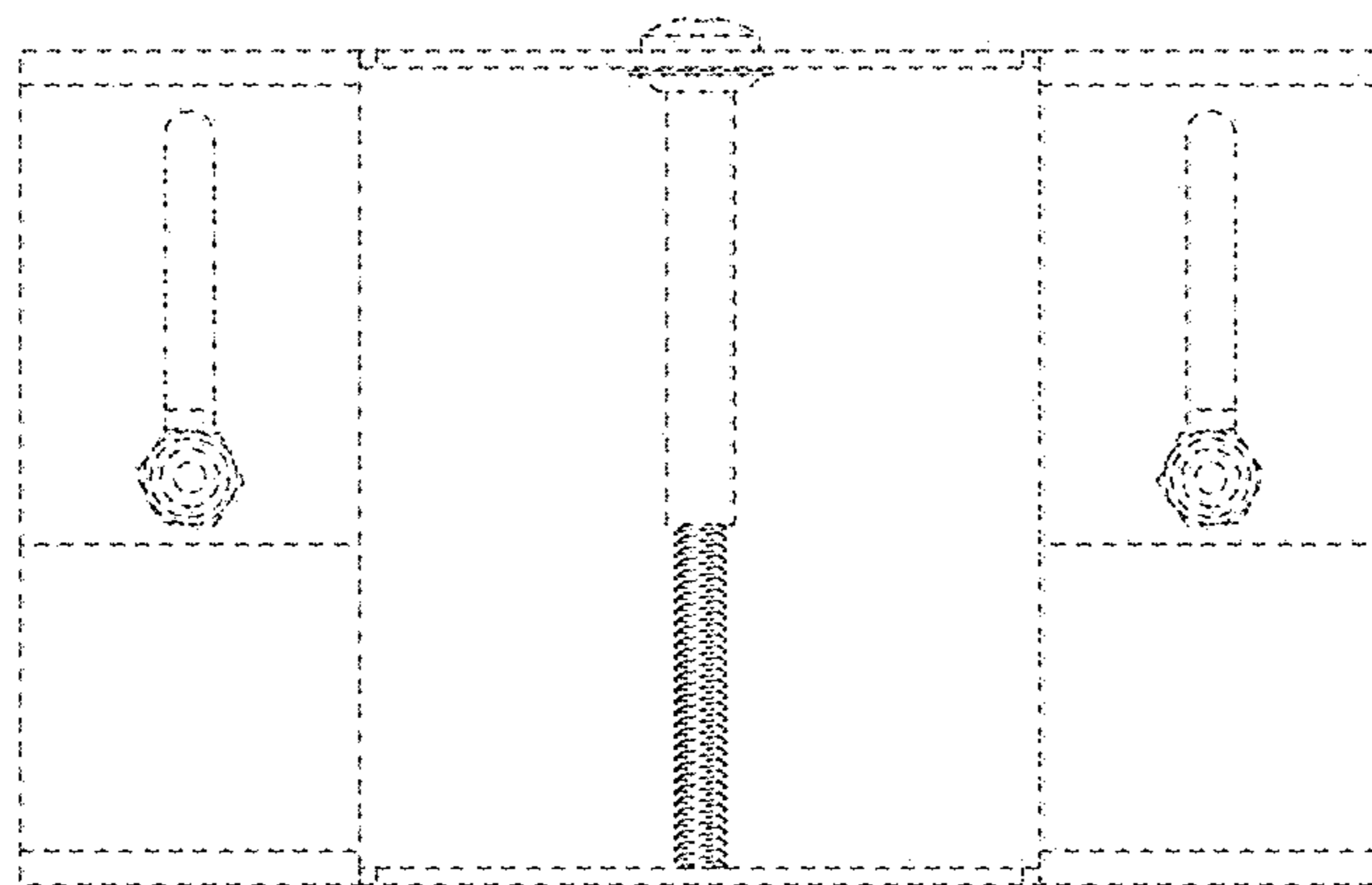


FIG. 6

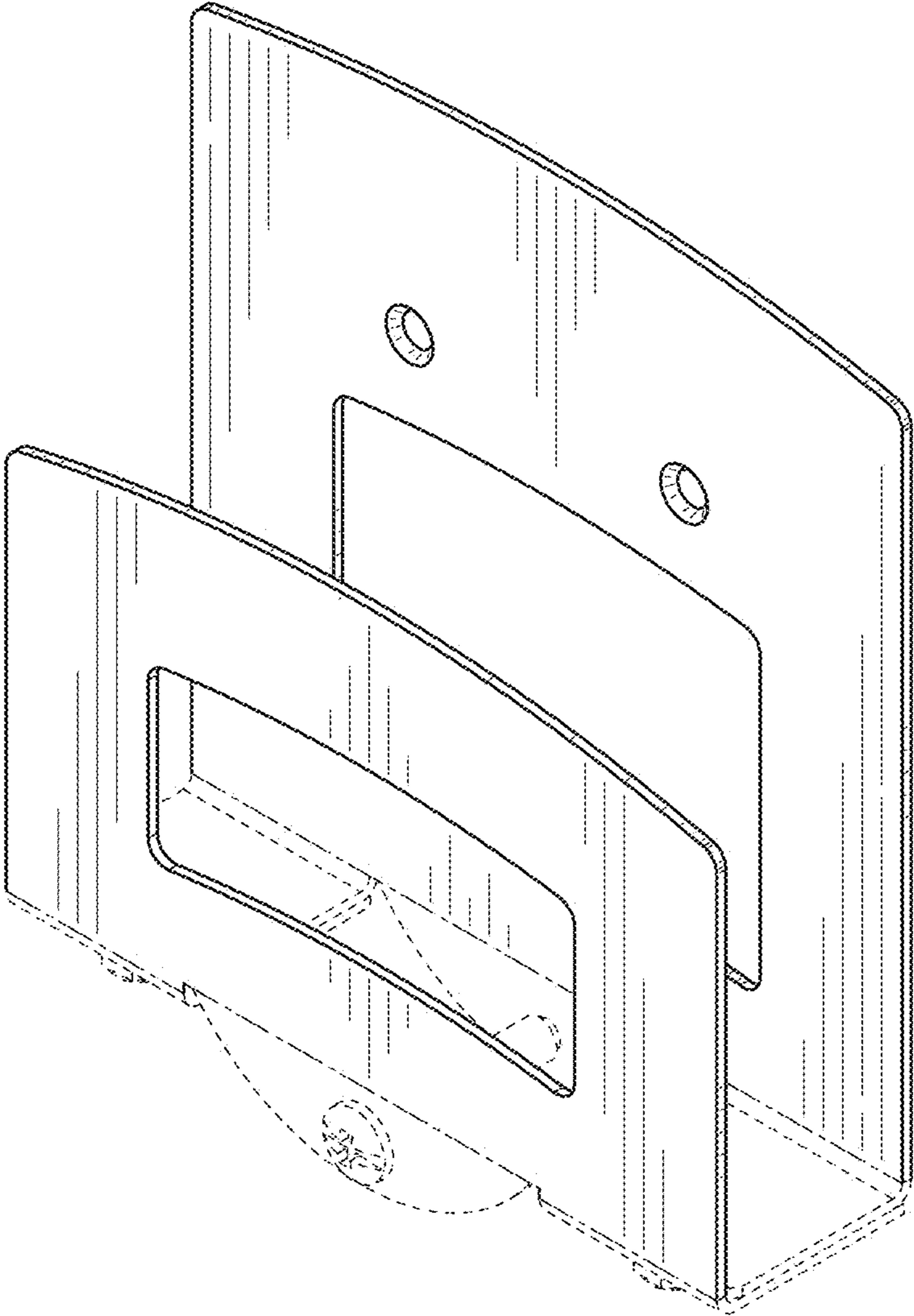


FIG. 7

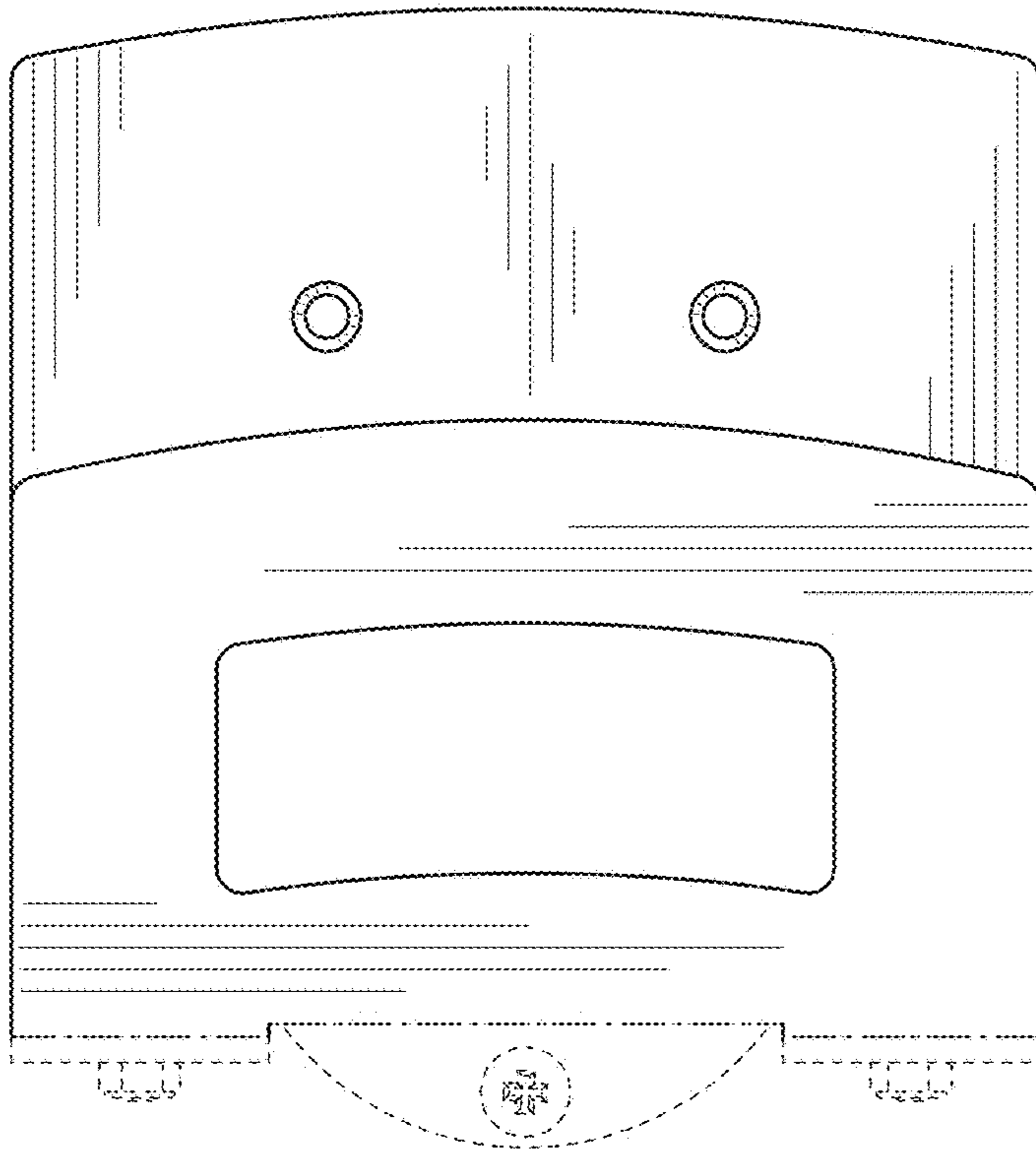


FIG. 8

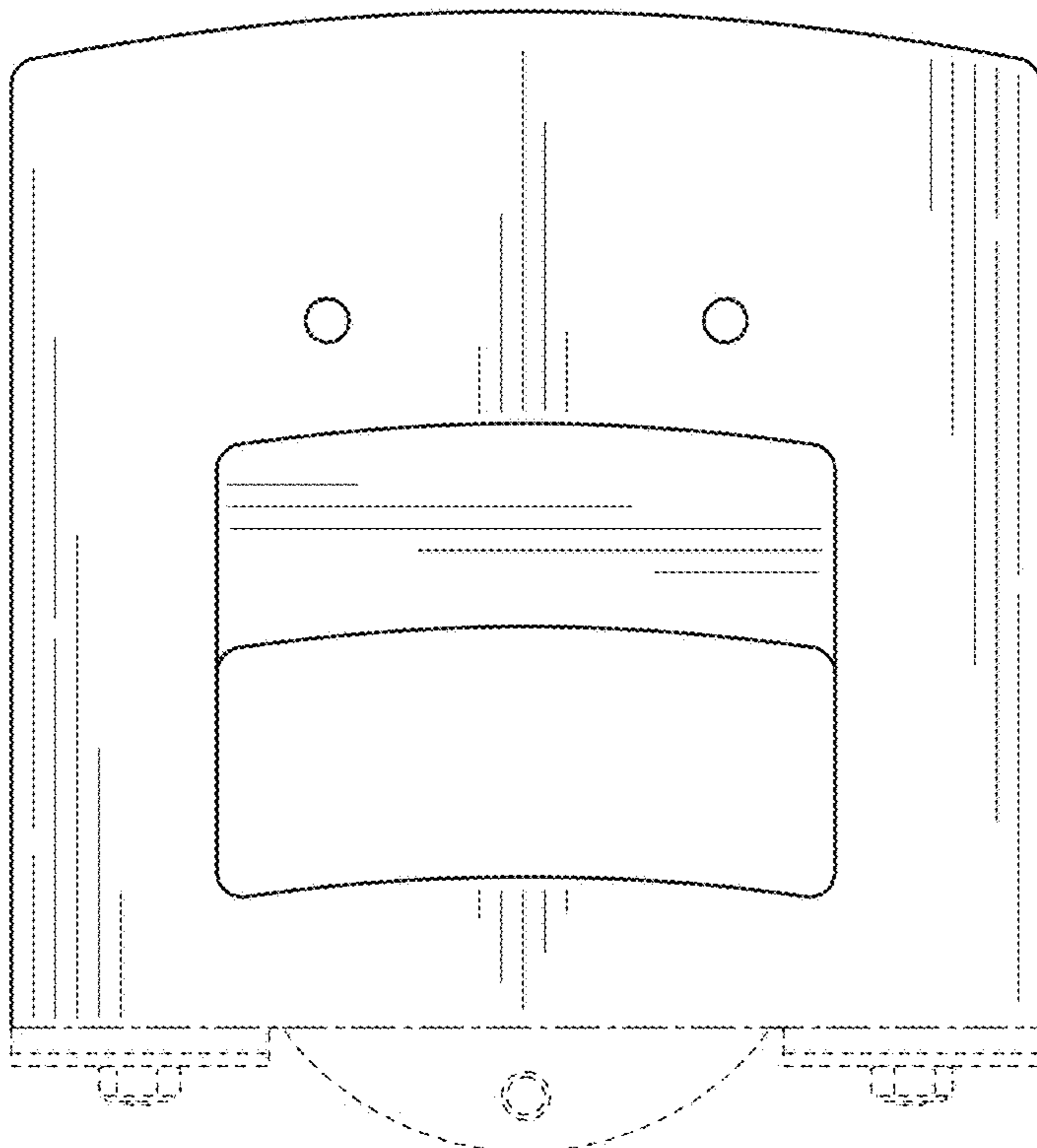


FIG. 9

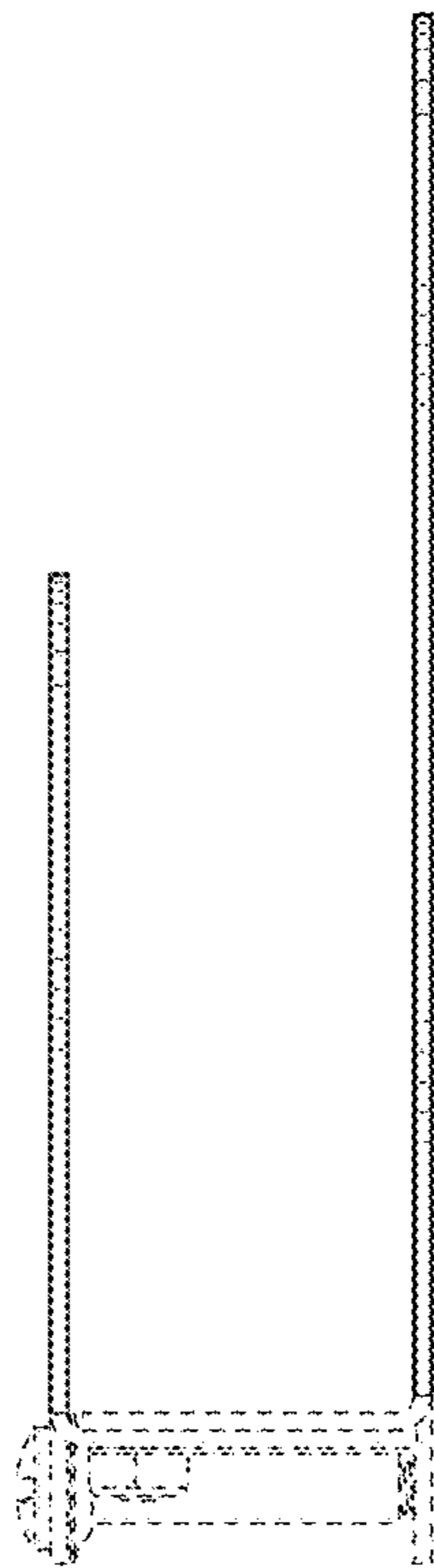


FIG. 10

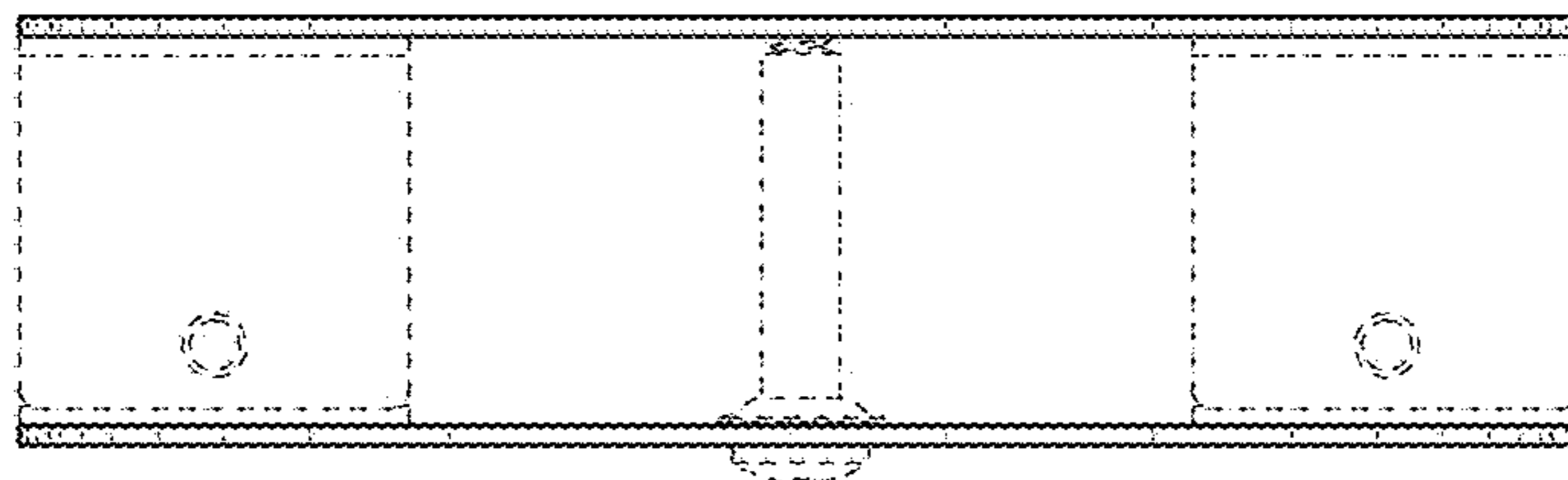


FIG. 11

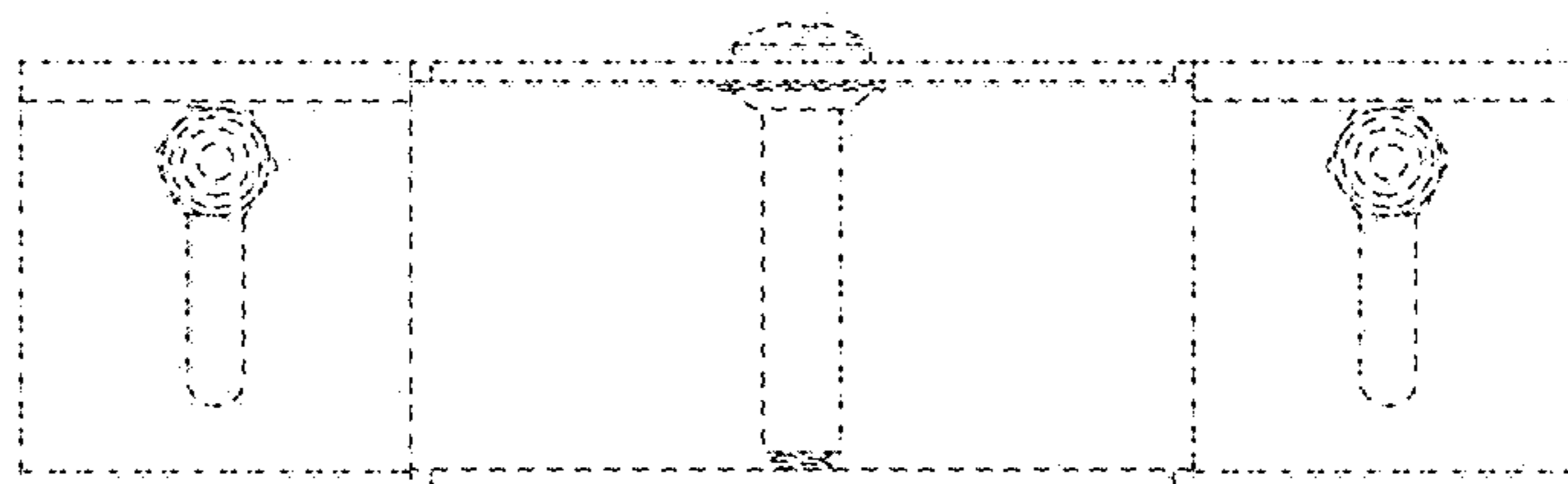


FIG. 12