



US00D829533S

(12) **United States Design Patent** (10) **Patent No.:** **US D829,533 S**
Kanter (45) **Date of Patent:** **** Oct. 2, 2018**

(54) **MOUNT ADAPTER BRACKET**
(71) Applicant: **HumanCentric Ventures LLC**, Skokie, IL (US)
(72) Inventor: **Simcha Kanter**, Chicago, IL (US)
(73) Assignee: **HUMANCENTRIC VENTURES LLC**, Skokie, IL (US)
(**) Term: **15 Years**
(21) Appl. No.: **29/614,613**
(22) Filed: **Aug. 21, 2017**
(51) **LOC (11) Cl.** **08-05**
(52) **U.S. Cl.**
USPC **D8/354**; D14/238
(58) **Field of Classification Search**
USPC D14/371-382, 125-129, 336, 337, D14/447-452, 492, 335, 457, 439-441, D14/432, 251-253, 238-239; D8/349, D8/354, 363, 373, 376, 380; D21/333; D12/415; D3/10, 218; 348/180, 184, 348/325, 739, 825; 248/323, 278.1, 286.1
CPC G06F 3/0412; G06F 3/016; G06F 3/0488; G06F 3/011; G06F 3/038; G06F 3/03543; G06F 3/0338; G06F 3/0202; G06F 3/0219; G06F 3/0213; G06F 1/1616; G06F 3/023; G06F 3/04883; G02F 1/13338; G02F 1/1313; G02F 1/1333; G02F 1/135; G02F 1/132; G02F 1/133308; G02F 1/134309; G02F 1/13718; G09G 3/3648; G06K 15/1252; B41J 2/465; G03F 7/70291; G02B 27/0172; G02B 5/30; G02B 2027/0118; G02B 27/0101; F16M 13/02; F16M 13/00; F16M 11/10; F16M 11/04; F16M 2200/08; F16M 11/2021; A47B 21/0314; A47B 88/044; A47B 2021/0335; H02G 3/126; F16B 47/00; F16B 47/006; A47G 1/17; A47K 2201/00

See application file for complete search history.

(56) **References Cited**
U.S. PATENT DOCUMENTS
D158,122 S 4/1949 Pennington
5,810,303 A 9/1998 Bourassa
D442,469 S 5/2001 Roozen et al.
6,749,162 B2 6/2004 Nicolides et al.
(Continued)

FOREIGN PATENT DOCUMENTS
GB 2433196 A 6/2007

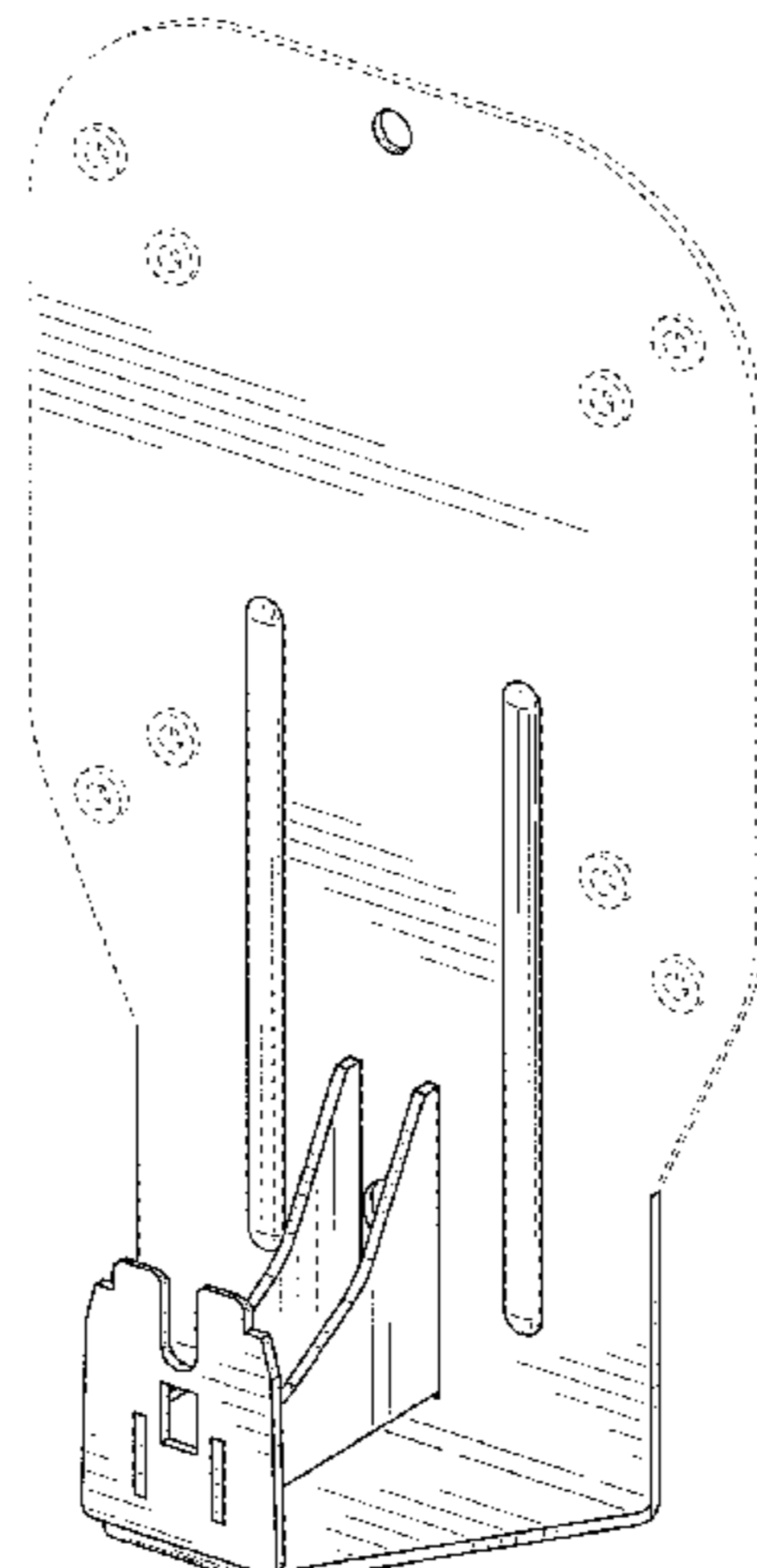
OTHER PUBLICATIONS
VESA Mount Adapter Bracket for Samsung CF591, posted at amazon.com, posting date Mar. 30, 2017, [online], [site visited Mar. 27, 2018]. Available from Internet, URL: <https://www.amazon.com/Adapter-Bracket-Samsung-27-inch-LC27F591FDNXZA/dp/B06XXPJZH/1/> (Year: 2017).
(Continued)

Primary Examiner — Katie Jane Stofko
(74) *Attorney, Agent, or Firm* — DLA Piper LLP US

(57) **CLAIM**
The ornamental design for a mount adapter bracket, as shown and described.

DESCRIPTION
FIG. 1 is a perspective view of a mount adapter bracket showing my new design;
FIG. 2 is a front view thereof;
FIG. 3 is a back view thereof;
FIG. 4 is a left side view thereof, the right side view being a mirror image thereof;
FIG. 5 is a top view thereof; and,
FIG. 6 is a bottom view thereof.
The broken lines in FIGS. 1-6 illustrate portions of the mount adapter bracket that form no part of the claimed design.

1 Claim, 4 Drawing Sheets



(56)

References Cited

U.S. PATENT DOCUMENTS

D504,701 S * 5/2005 Chen D19/75
 D536,240 S 2/2007 Vejmarker
 D557,126 S 12/2007 Worrall et al.
 D558,560 S 1/2008 Ciungan
 D560,221 S 1/2008 Hoglan et al.
 D560,222 S * 1/2008 Anderson D14/451
 D560,674 S 1/2008 Wohlford et al.
 D565,938 S 4/2008 Massoumi et al.
 D576,633 S 9/2008 Muday et al.
 D560,677 S 11/2008 Wohlford et al.
 D587,100 S 2/2009 Allsopp
 7,544,889 B1 6/2009 Sanchez
 D612,226 S 3/2010 Dinh
 D628,539 S 12/2010 Tezak et al.
 D628,566 S 12/2010 Molter
 D645,902 S * 9/2011 Tsai D19/90
 D650,987 S * 12/2011 Rothbauer D3/215
 D652,411 S 1/2012 Crawford et al.
 D667,249 S * 9/2012 London D6/553
 D667,288 S 9/2012 Preda
 D677,263 S 3/2013 Luijben et al.
 D682,079 S 5/2013 Chou
 D688,670 S * 8/2013 Huang D14/447
 8,511,032 B2 8/2013 Abdei-Rahman et al.
 D689,045 S * 9/2013 Mardas D14/253
 RE44,515 E 10/2013 Ciungan et al.
 RE44,740 E 2/2014 Ciungan
 D729,611 S 5/2015 Schmidt
 D743,955 S * 11/2015 Wu D14/253
 D749,399 S 2/2016 Jenkins
 D750,603 S 3/2016 Venghaus et al.
 D760,066 S 6/2016 Krenek
 D761,236 S 7/2016 Wengreen
 D767,575 S * 9/2016 Green D14/447
 D769,024 S * 10/2016 Montoya D6/567
 D788,951 S 6/2017 Lopez
 D789,565 S 6/2017 Lopez
 D794,420 S 8/2017 Emmons
 D794,424 S 8/2017 Thompson et al.
 D807,152 S 1/2018 Hansen

D810,091 S * 2/2018 Cho D14/451
 D813,020 S * 3/2018 DeDios-Shirley D8/380
 9,929,549 B2 3/2018 Witherbee et al.
 2012/0025046 A1 2/2012 Yen
 2015/0264823 A1 * 9/2015 Shirley F16M 13/02
 248/287.1

OTHER PUBLICATIONS

VESA Mount Adapter Bracket for Samsung Monitors, posted at amazon.com, posting date Oct. 26, 2015, [online], [site visited Mar. 27, 2018]. Available from Internet, U RL: <https://www.amazon.com/Monitors-S27D390H-S24D390HL-S27D360H-S24D360HL/dp/B01771PV3K/> (Year: 2015).
 VESA Mount Adapter for Acer H2 Monitors, posted at amazon.com, posting date Mar. 22, 2016, [online], [site visited Mar. 27, 2018]. Available from Internet, U RL: <https://www.amazon.com/Mount-Adapter-H277H-U-H257H-U-Monitors/dp/B01DAYRVG8/> (Year: 2016).
 VESA Mount Adapter for Asus MX Monitors, posted at amazon.com, posting date Feb. 3, 2016, [online], [site visited Mar. 27, 2018]. Available from Internet, URL: <https://www.amazon.com/Adapter-Monitors-MX239H-MX259H-MX279H/dp/B01BFWROZU/> (Year: 2016).
 VESA Mount Adapter for Asus VX-Series Monitors, posted at amazon.com, posting date Mar. 22, 2016, [online], [site visited Mar. 28, 2018]. Available from Internet, U RL: <https://www.amazon.com/Adapter-SE2416HX-SE2717HX-SE2717H-SE2417HG/dp/B01DAYR3ZM/> (Year: 2016).
 U.S. Appl. No. 29/591,809.
 U.S. Appl. No. 29/594,376.
 U.S. Appl. No. 29/594,765.
 U.S. Appl. No. 29/594,429.
 U.S. Appl. No. 29/594,766.
 U.S. Appl. No. 29/594,362.
 U.S. Appl. No. 29/599,976.
 U.S. Appl. No. 29/599,971.
 U.S. Appl. No. 29/614,700.

* cited by examiner

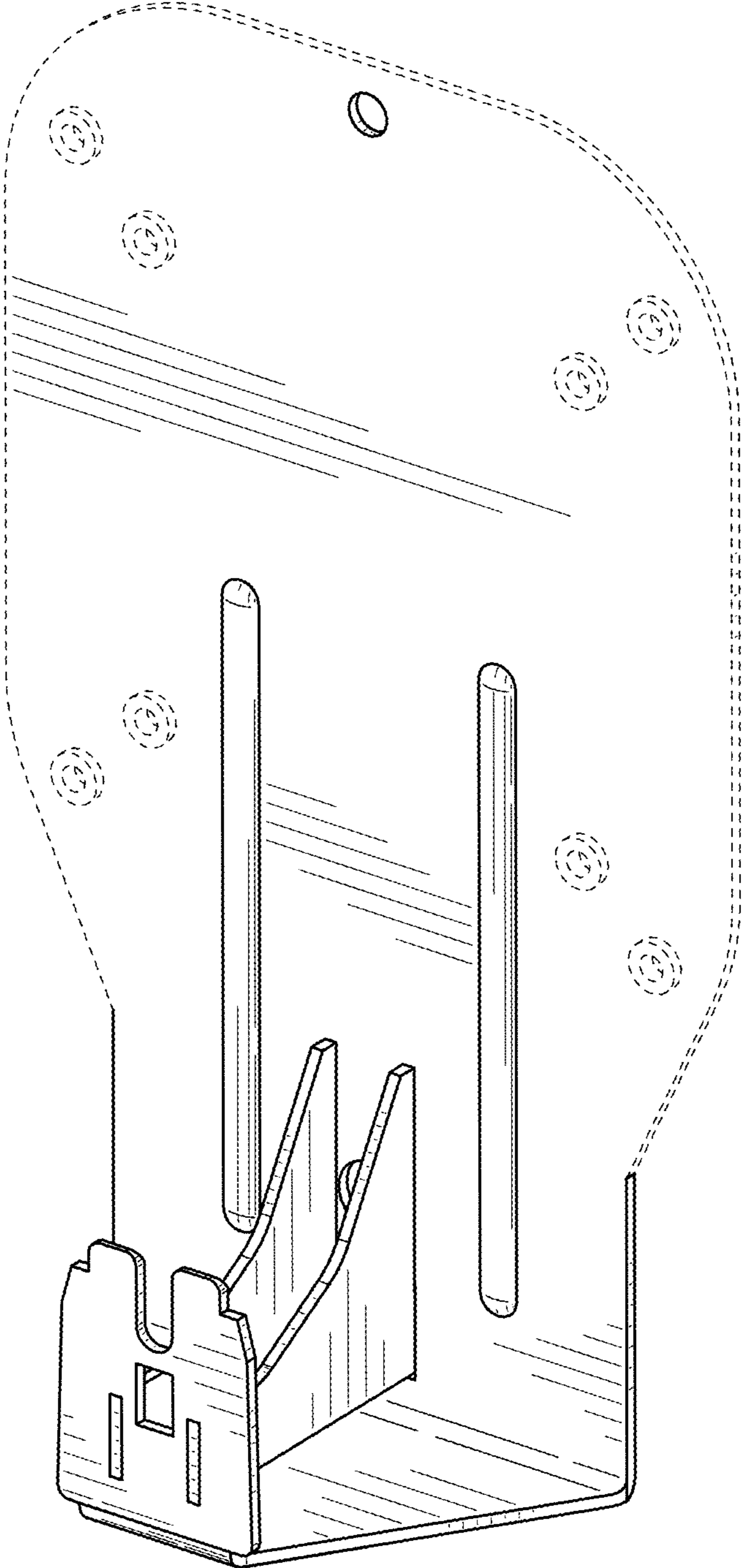


FIG. 1

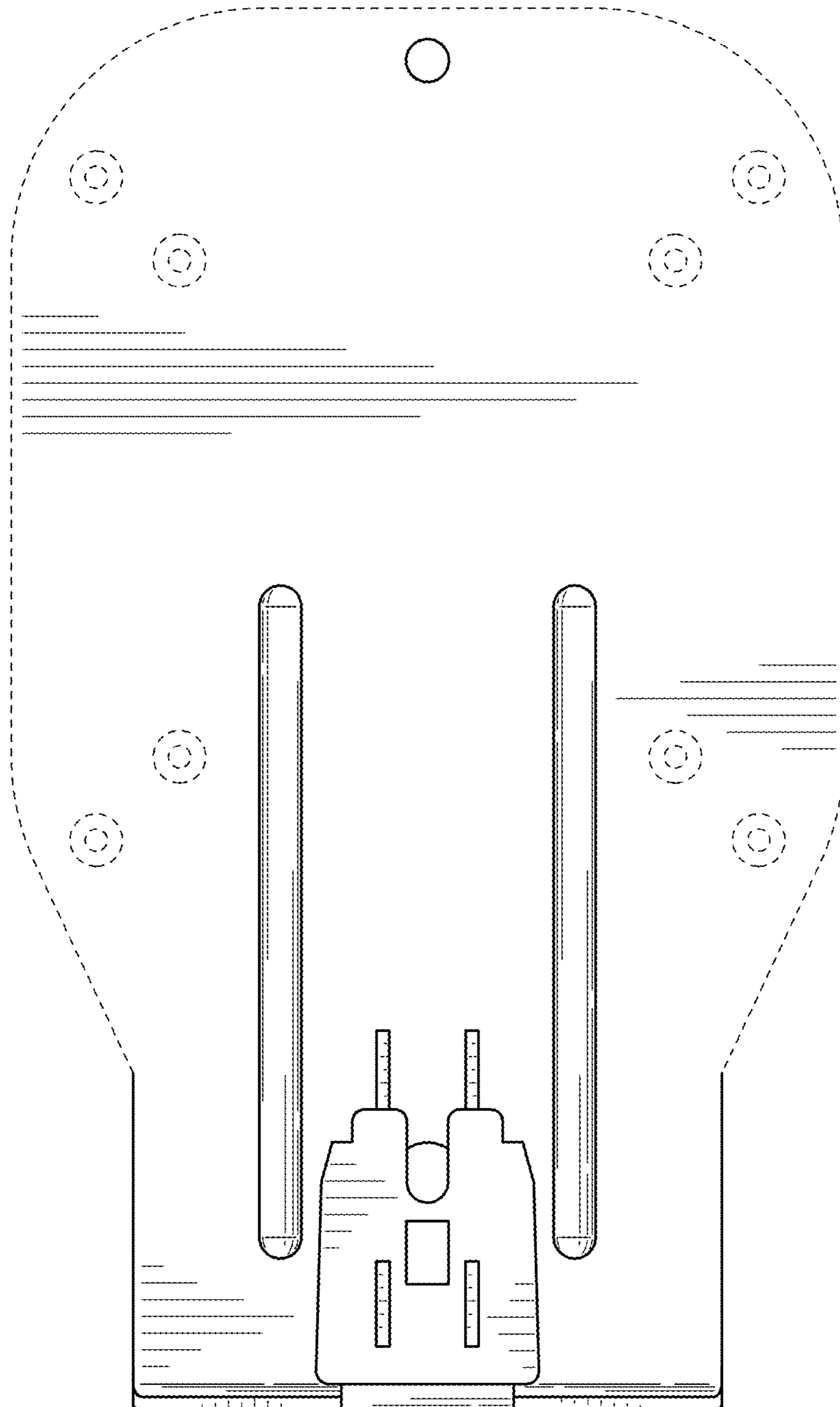


FIG. 2

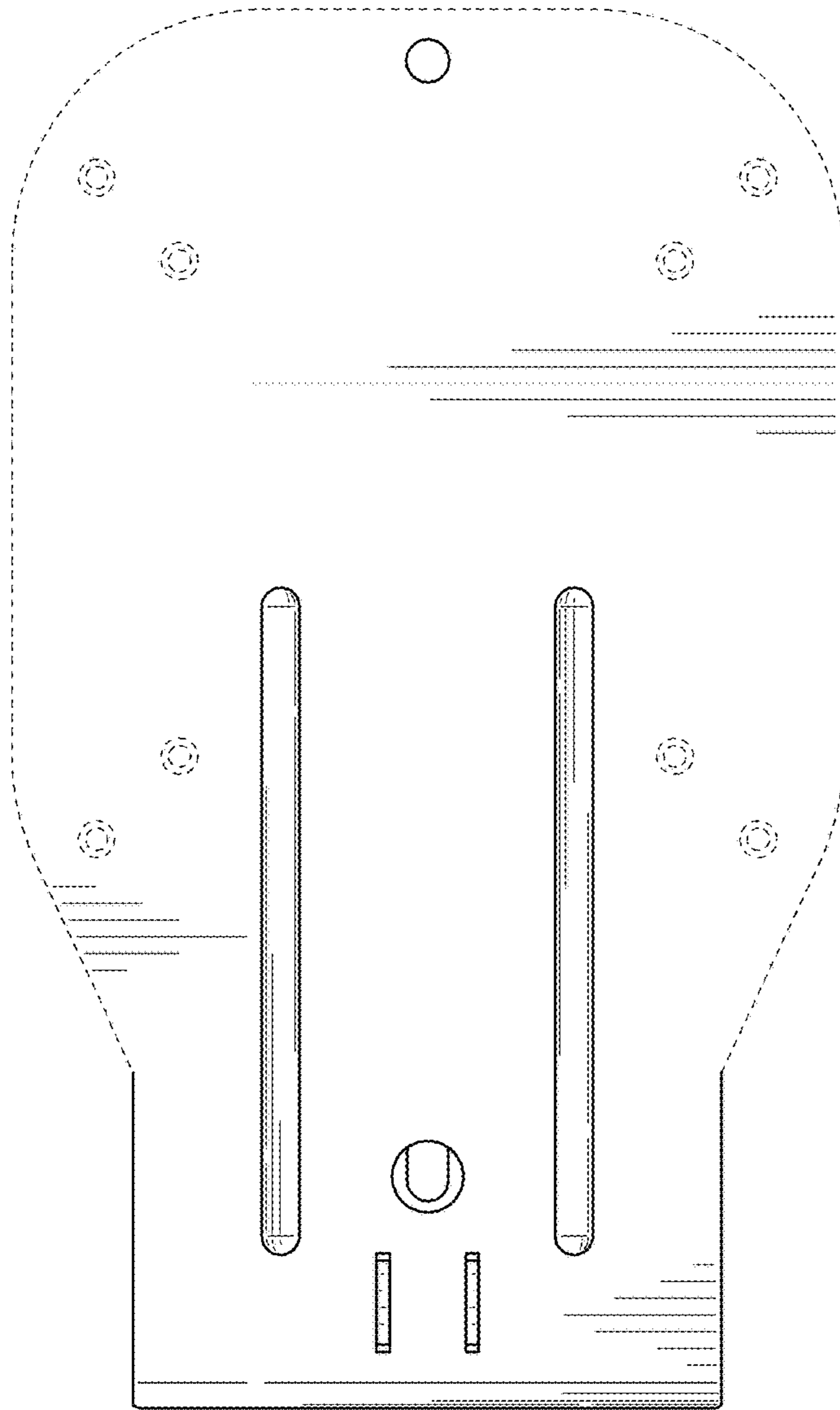


FIG. 3

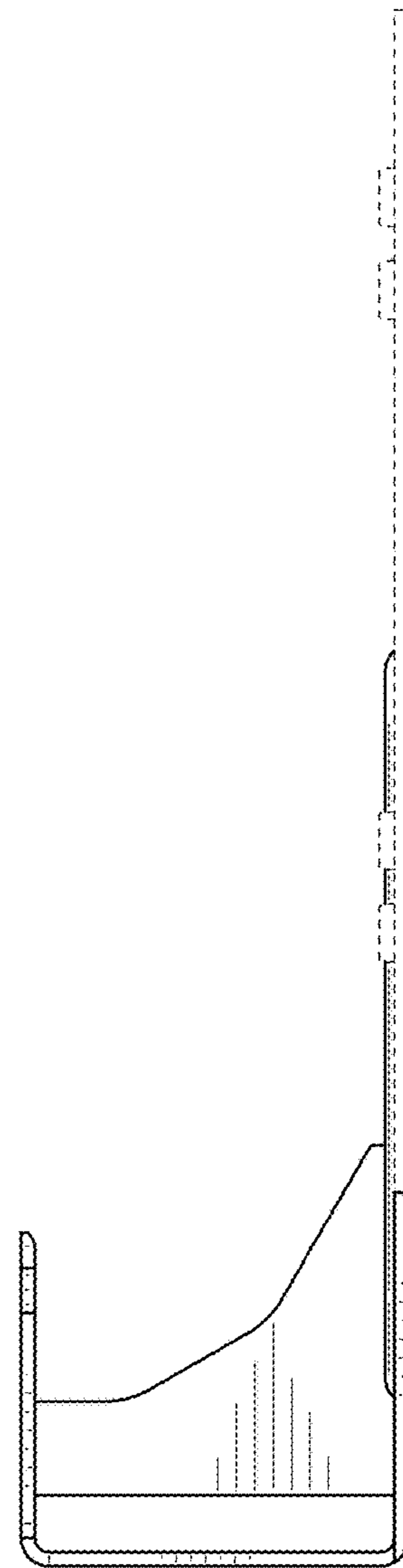


FIG. 4

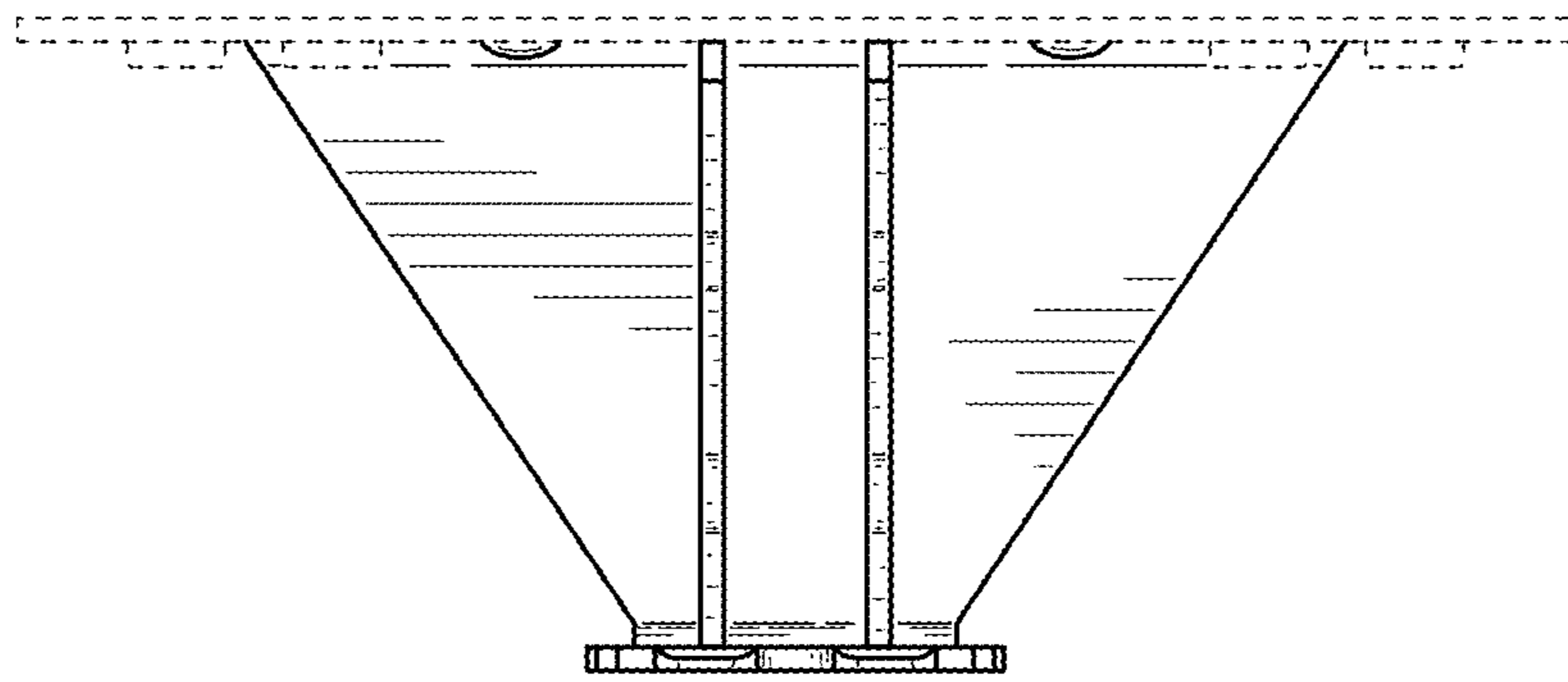


FIG. 5

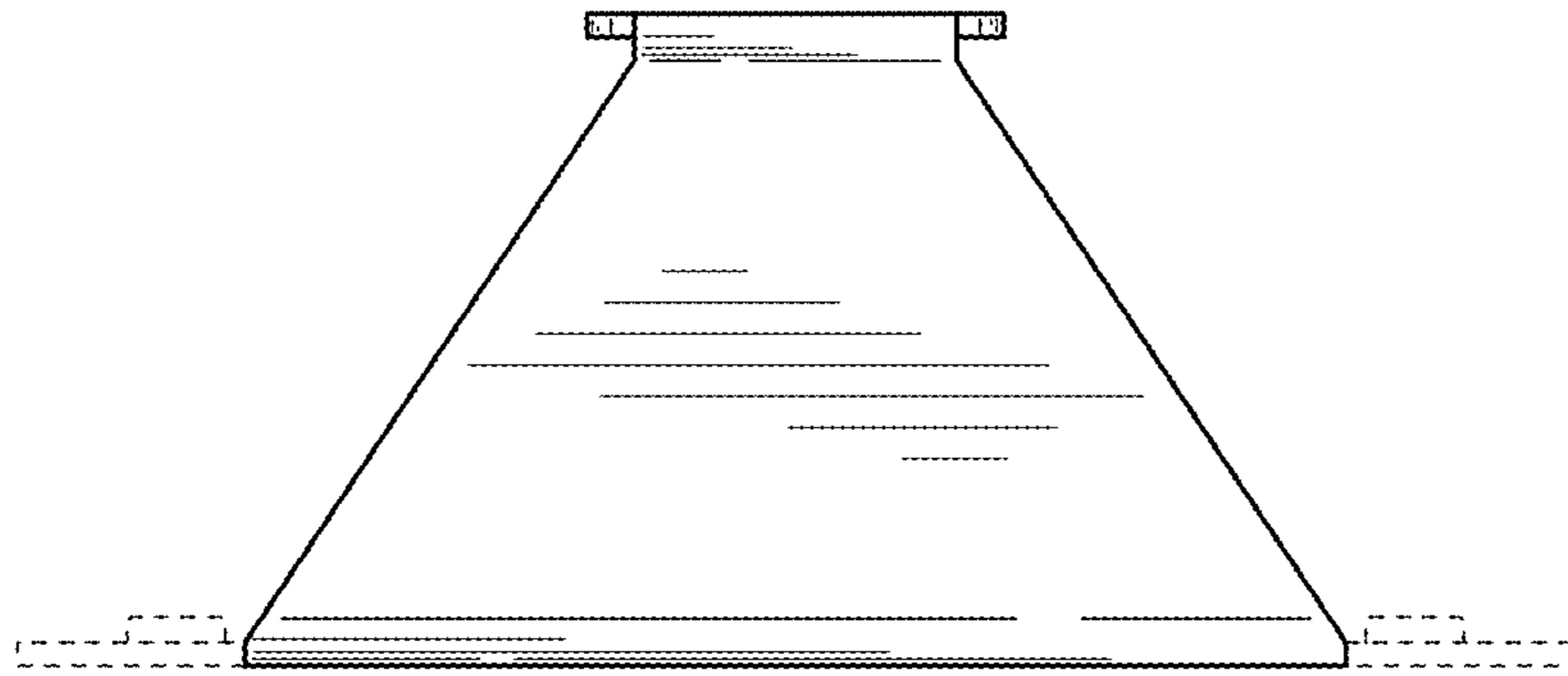


FIG. 6