



US00D829531S

(12) **United States Design Patent**  
**Kanter**

(10) **Patent No.:** **US D829,531 S**

(45) **Date of Patent:** **\*\* Oct. 2, 2018**

(54) **MOUNT ADAPTER BRACKET**

(71) Applicant: **HumanCentric Ventrues LLC**, Skokie, IL (US)

(72) Inventor: **Simcha Kanter**, Chicago, IL (US)

(73) Assignee: **HUMANCENTRIC VENTURES LLC**, Skokie, IL (US)

(\*\*) Term: **15 Years**

(21) Appl. No.: **29/591,809**

(22) Filed: **Jan. 24, 2017**

(51) **LOC (11) Cl.** ..... **08-05**

(52) **U.S. Cl.**  
USPC ..... **D8/354**; D14/238

(58) **Field of Classification Search**  
USPC ..... D14/371-382, 125-129, 336, 337, D14/447-452, 492, 335, 239, 457, D14/439-441, 432, 251-253; D8/349, D8/354, 363, 373, 376, 380; D21/333; D12/415; D3/10, 218; 348/180, 184, 348/325, 739, 825; 248/323, 278.1, 286.1

CPC ..... G06F 3/0412; G06F 3/016; G06F 3/0488; G06F 3/011; G06F 3/038; G06F 3/03543; G06F 3/0338; G06F 3/0202; G06F 3/0219; G06F 3/0213; G06F 1/1616; G06F 3/023; G06F 3/04883; G02F 1/13338; G02F 1/1313; G02F 1/1333; G02F 1/135; G02F 1/132; G02F 1/133308; G02F 1/134309; G02F 1/13718; G09G 3/3648; G06K 15/1252; B41J 2/465; G03F 7/70291; G02B 27/0172; G02B 5/30; G02B 2027/0118; G02B 27/0101; F16M 13/02; F16M 13/00; F16M 11/10; F16M 11/04; F16M 2200/08; F16M 11/2021; A47B 21/0314; A47B 88/044; A47B 2021/0335; H02G 3/126; F16B 47/00; F16B 47/006; A47G 1/17; A47K 2201/00

See application file for complete search history.

(56) **References Cited**

U.S. PATENT DOCUMENTS

D158,122 S 4/1949 Pennington  
5,810,303 A 9/1998 Bourassa  
D442,469 S 5/2001 Roozen et al.  
(Continued)

FOREIGN PATENT DOCUMENTS

GB 2433196 A 6/2007

OTHER PUBLICATIONS

VESA Mount Adapter Bracket for Samsung CF591, posted at amazon.com, posting date Mar. 30, 2017, [online], [site visited Mar. 27, 2018]. Available from Internet, U RL: <https://www.amazon.com/Adapter-Bracket-Samsung-27-inch-LC27F591FDNXZA/dp/B06XXPJZH/1/> (Year:2017).

(Continued)

*Primary Examiner* — Katie Jane Stofko

(74) *Attorney, Agent, or Firm* — DLA Piper LLP US

(57) **CLAIM**

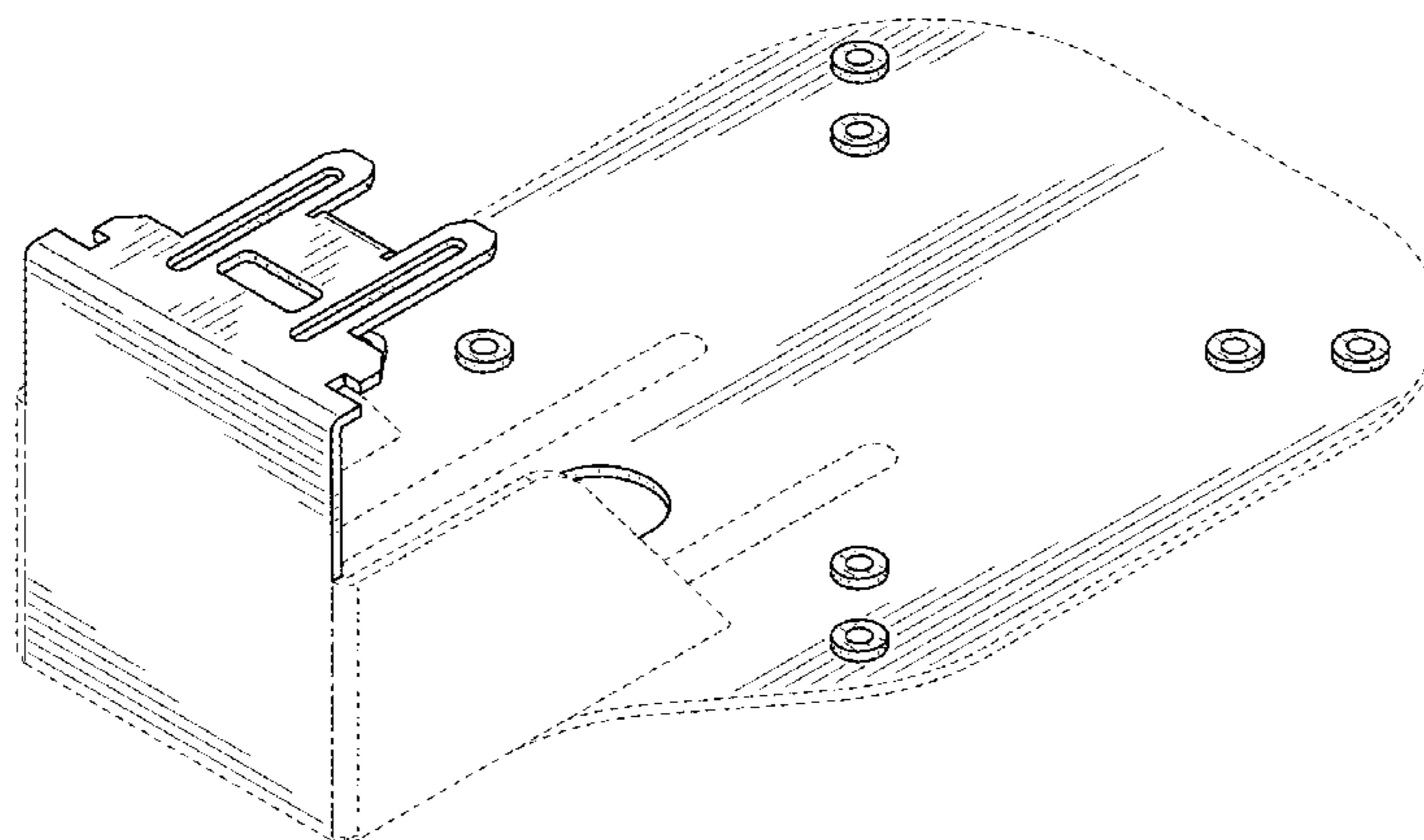
The ornamental design for a mount adapter bracket, as shown and described.

**DESCRIPTION**

FIG. 1 is a perspective view of a mount adapter bracket; FIG. 2 is a bottom plan view thereof; FIG. 3 is a top plan view thereof; FIG. 4 is a right side elevation view of thereof; FIG. 5 is a left side elevation view thereof; FIG. 6 is a front elevation view thereof; and, FIG. 7 is a rear view thereof.

The evenly-spaced broken lines in FIGS. 1-7 illustrate portions of the mount adapter bracket that form no part of the claimed design. The dash-dot broken lines in FIGS. 1-3 illustrate the boundary of the claimed design which forms no part thereof.

**1 Claim, 5 Drawing Sheets**



(56)

References Cited

OTHER PUBLICATIONS

U.S. PATENT DOCUMENTS

6,749,162 B2 6/2004 Nicolides et al.  
 D504,701 S \* 5/2005 Chen ..... D19/75  
 D536,240 S 2/2007 Vejmarker  
 D557,126 S 12/2007 Worrall et al.  
 D558,560 S 1/2008 Ciungan  
 D560,221 S 1/2008 Hoglan et al.  
 D560,222 S \* 1/2008 Anderson ..... D14/451  
 D560,674 S 1/2008 Wohlford et al.  
 D565,938 S 4/2008 Massoumi et al.  
 D576,633 S 9/2008 Muday et al.  
 D560,677 S 11/2008 Wohlford et al.  
 D587,100 S 2/2009 Allsopp  
 7,544,889 B1 6/2009 Sanchez  
 D612,226 S 3/2010 Dinh  
 D628,539 S 12/2010 Tezak et al.  
 D628,566 S 12/2010 Molter  
 D645,902 S \* 9/2011 Tsai ..... D19/90  
 D650,987 S \* 12/2011 Rothbauer ..... D3/215  
 D652,411 S 1/2012 Crawford et al.  
 D667,249 S \* 9/2012 London ..... D6/553  
 D667,288 S 9/2012 Preda  
 D677,263 S 3/2013 Luijben et al.  
 D682,079 S 5/2013 Chou  
 D688,670 S \* 8/2013 Huang ..... D14/447  
 8,511,032 B2 8/2013 Abdei-Rahman et al.  
 D689,045 S \* 9/2013 Mardas ..... D14/253  
 RE44,515 E 10/2013 Ciungan et al.  
 RE44,740 E 2/2014 Ciungan  
 D729,611 S 5/2015 Schmidt  
 D743,955 S \* 11/2015 Wu ..... D14/253  
 D749,399 S 2/2016 Jenkins  
 D750,603 S 3/2016 Venghaus et al.  
 D760,066 S 6/2016 Krenek  
 D761,236 S 7/2016 Wengreen  
 D767,575 S \* 9/2016 Green ..... D14/447  
 D769,024 S \* 10/2016 Montoya ..... D6/567  
 D788,951 S 6/2017 Lopez  
 D789,565 S 6/2017 Lopez  
 D794,420 S 8/2017 Emmons  
 D794,424 S 8/2017 Thompson et al.  
 D807,152 S 1/2018 Hansen  
 D810,091 S \* 2/2018 Cho ..... D14/451  
 D813,020 S \* 3/2018 DeDios-Shirley ..... D8/380  
 9,929,549 B2 3/2018 Witherbee et al.  
 2012/0025046 A1 2/2012 Yen  
 2015/0264823 A1 \* 9/2015 Shirley ..... F16M 13/02  
 248/287.1

VESA Mount Adapter Bracket for Samsung Monitors, posted at amazon.com, posting date Oct. 26, 2015, [online], [site visited Mar. 27, 2018]. Available from Internet, U RL: <https://www.amazon.com/Monitors-S27D390H-S24D390HL-S27D360H-S24D360HL/dp/B01771PV3K/> (Year:2015).  
 VESA Mount Adapter for Acer H2 Monitors, posted at amazon.com, posting date Mar. 22, 2016, [online], [site visited Mar. 27, 2018]. Available from Internet, U RL: <https://www.amazon.com/Mount-Adapter-H277H-U-H257H-U-Monitors/dp/B01DAYRVG8/> (Year: 2016).  
 VESA Mount Adapter for Asus MX Monitors, posted at amazon.com, posting date Feb. 3, 2016, [online], [site visited Mar. 27, 2018]. Available from Internet, URL: <https://www.amazon.com/Adapter-Monitors-MX239H-MX259H-MX279H/dp/B01BFWROZU/> (Year: 2016).  
 VESA Mount Adapter for Asus VX-Series Monitors, posted at amazon.com, posting date Mar. 22, 2016, [online], [site visited Mar. 28, 2018]. Available from Internet, U RL: <https://www.amazon.com/Adapter-SE2416HX-SE2717HX-SE2717H-SE2417HG/dp/B01DAYR3ZM/> (Year: 2016).  
 U.S. Appl. No. 29/594,376.  
 U.S. Appl. No. 29/594,765.  
 U.S. Appl. No. 29/594,429.  
 U.S. Appl. No. 29/594,766.  
 U.S. Appl. No. 29/594,362.  
 U.S. Appl. No. 29/599,976.  
 U.S. Appl. No. 29/599,971.  
 U.S. Appl. No. 29/614,613.  
 U.S. Appl. No. 29/614,700.  
 U.S. Appl. No. 29/591,809, filed Jan. 24, 2017, Pending.  
 U.S. Appl. No. 29/594,376, filed Feb. 17, 2017, Allowed.  
 U.S. Appl. No. 29/594,765, filed Feb. 22, 2017, Allowed.  
 U.S. Appl. No. 29/594,429, filed Feb. 17, 2017, Allowed.  
 U.S. Appl. No. 29/594,766, filed Feb. 22, 2017, Pending.  
 U.S. Appl. No. 29/594,362, filed Feb. 17, 2017, Allowed.  
 U.S. Appl. No. 29/599,976, filed Apr. 7, 2017, Allowed.  
 U.S. Appl. No. 29/599,971, filed Apr. 7, 2017, Pending.  
 U.S. Appl. No. 29/614,613, filed Aug. 21, 2017, Pending.  
 U.S. Appl. No. 29/641,700, filed Mar. 23, 2018, Pending.

\* cited by examiner

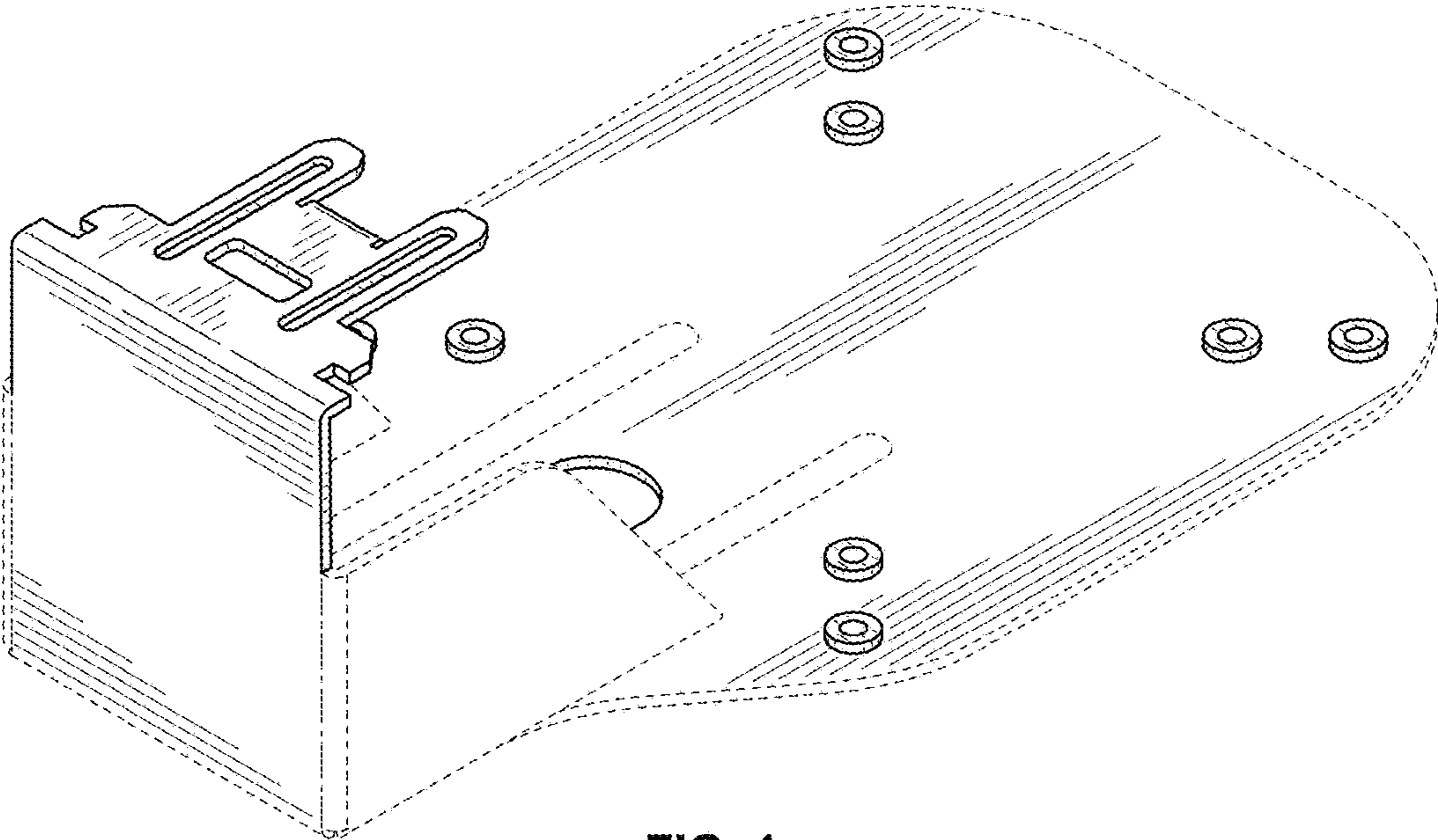


FIG. 1

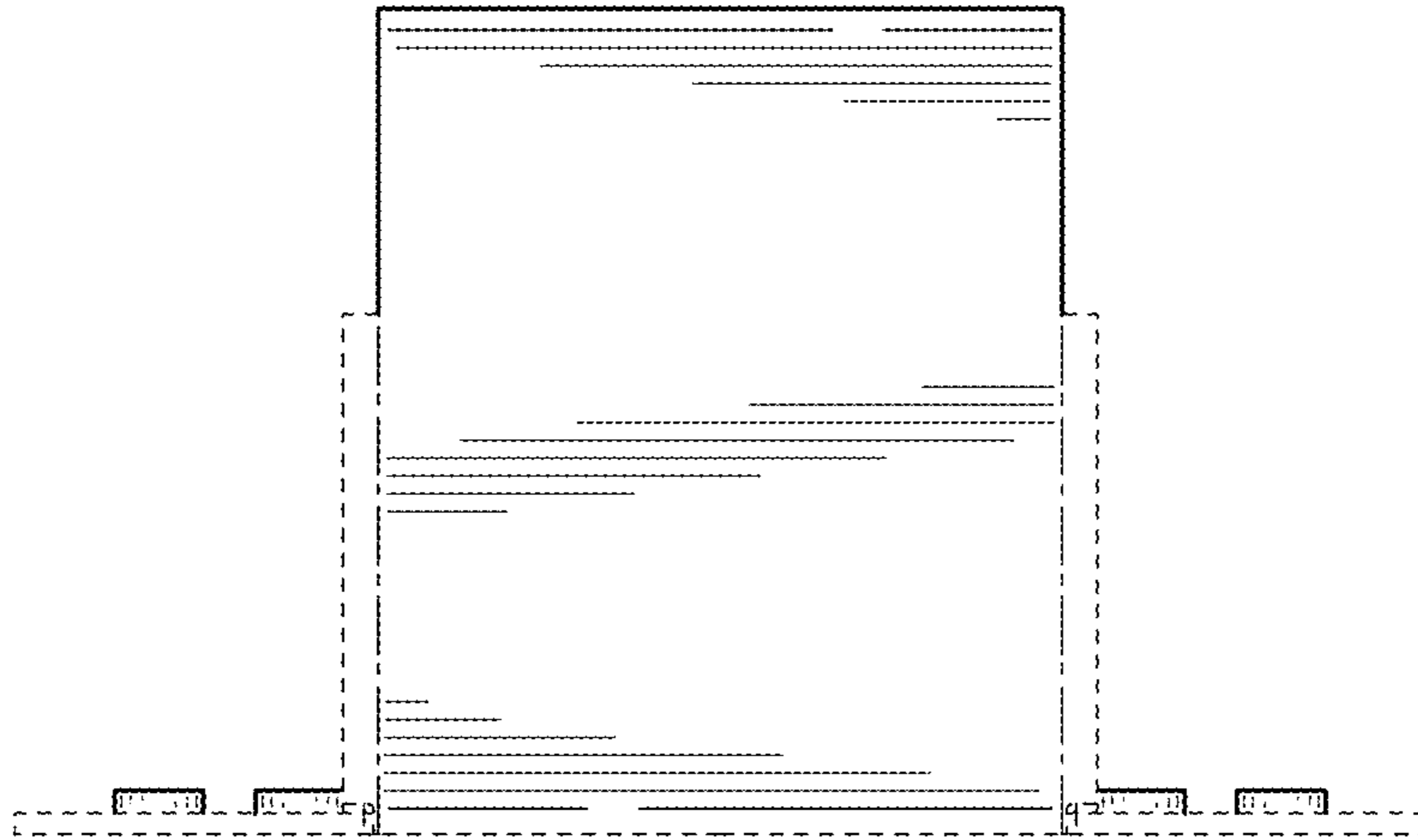


FIG. 2

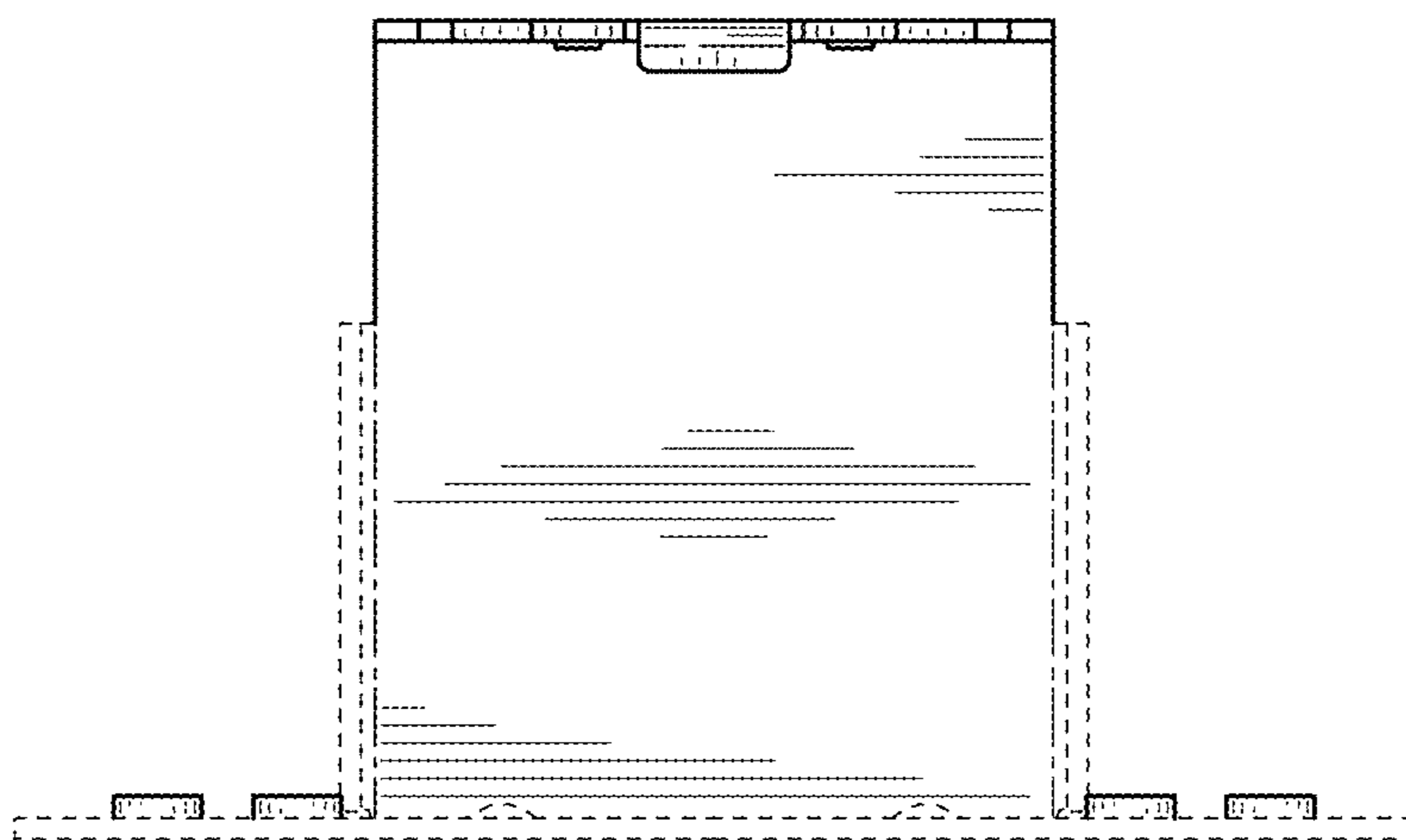


FIG. 3

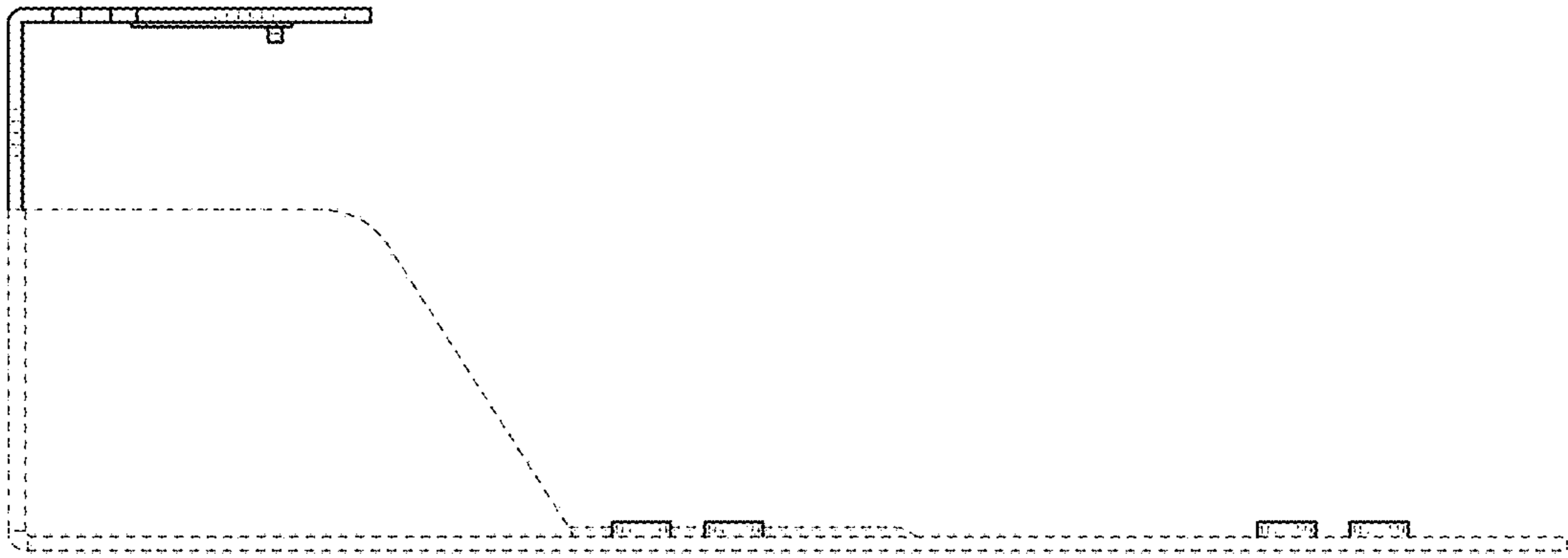


FIG. 4

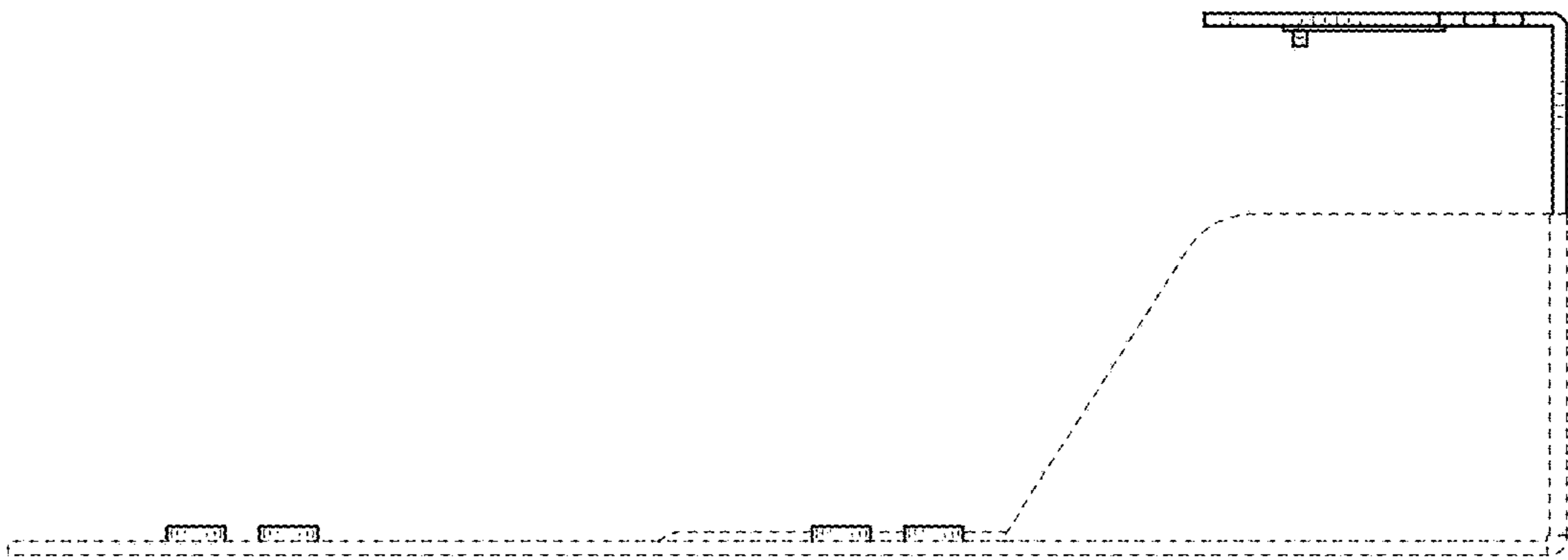


FIG. 5

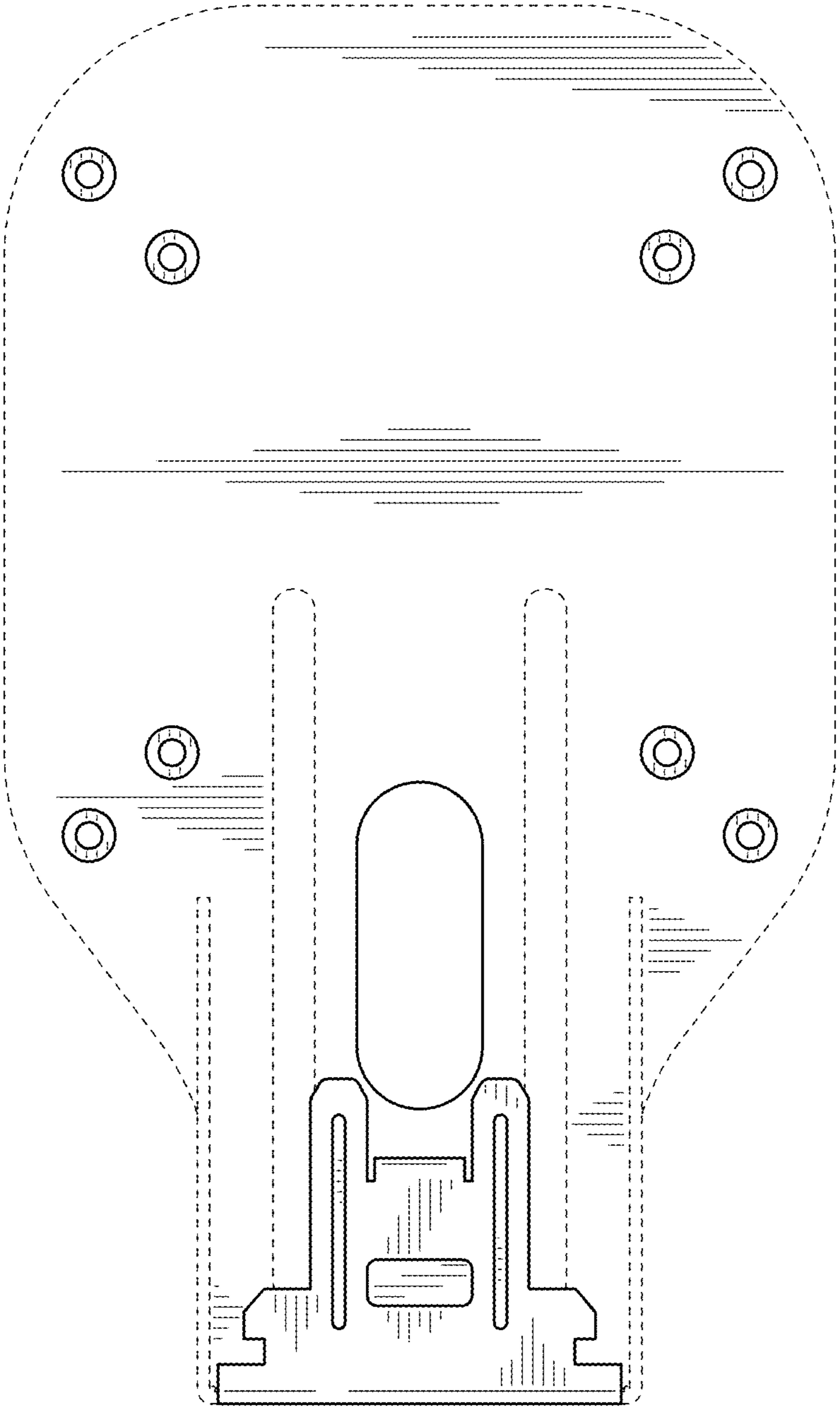


FIG. 6

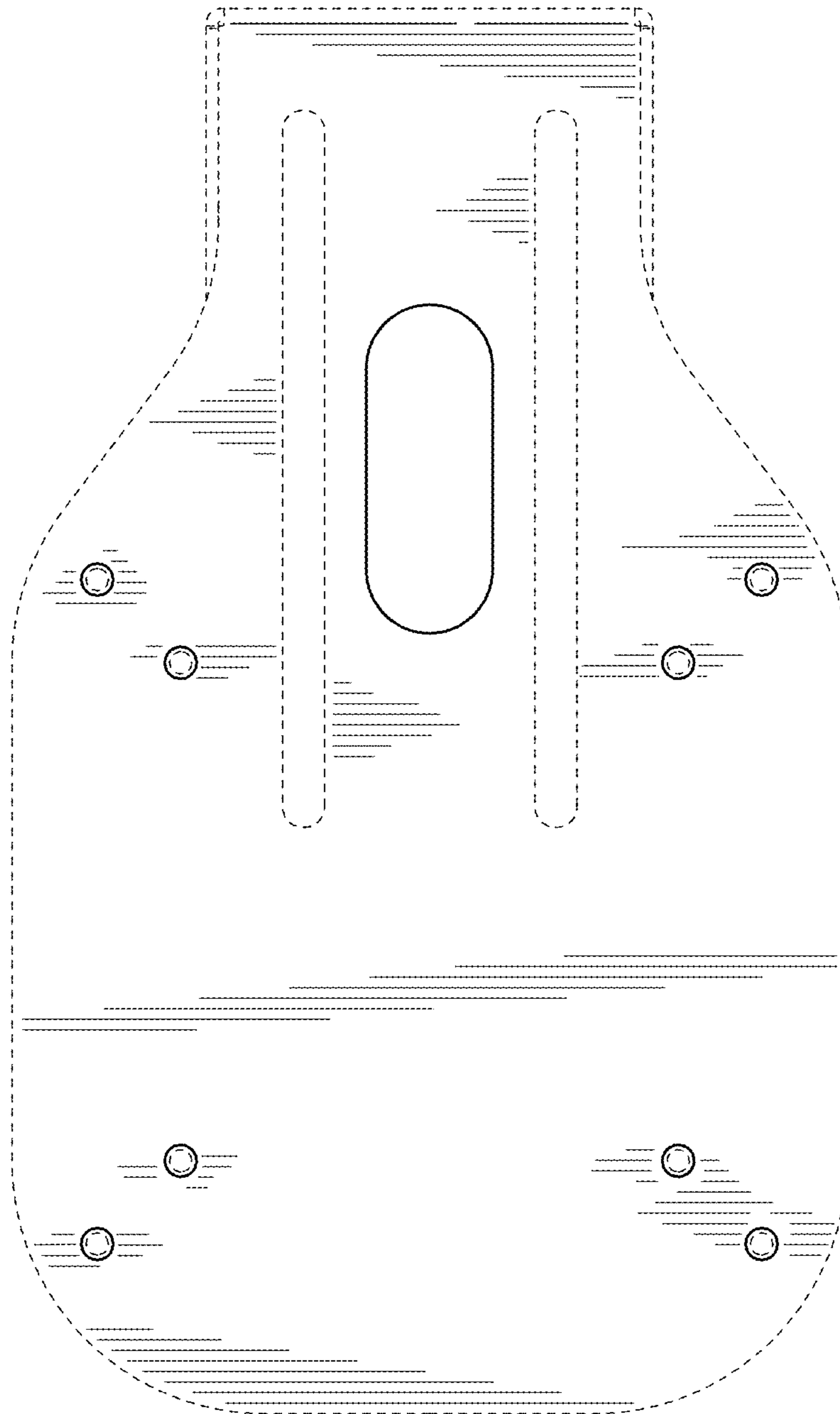


FIG. 7