



US00D829530S

(12) **United States Design Patent**
Johnston

(10) **Patent No.:** **US D829,530 S**
(45) **Date of Patent:** **** Oct. 2, 2018**

(54) **HINGE**
(71) Applicant: **Robert Johnston**, Moniaive (GB)
(72) Inventor: **Robert Johnston**, Moniaive (GB)
(**) Term: **15 Years**
(21) Appl. No.: **29/573,111**
(22) Filed: **Aug. 2, 2016**
(51) **LOC (11) Cl.** **08-06**
(52) **U.S. Cl.**
USPC **D8/323**
(58) **Field of Classification Search**
USPC D8/323, 325, 336, 327, 328; 248/301,
248/302; D6/325; D12/223
CPC F16M 13/02; F16B 23/00; E05D 11/1014
See application file for complete search history.

8,701,247 B1 * 4/2014 Shargh E05D 11/02
16/274
D714,614 S * 10/2014 Sarnowski D8/323
D715,127 S * 10/2014 Shargh D8/323
D716,644 S * 11/2014 Daniels D8/391
D726,525 S * 4/2015 Kenerly D8/328
D742,187 S * 11/2015 Thompson D8/1
D777,554 S * 1/2017 Elbaz D8/323

* cited by examiner

Primary Examiner — Cynthia R Underwood

(57) **CLAIM**

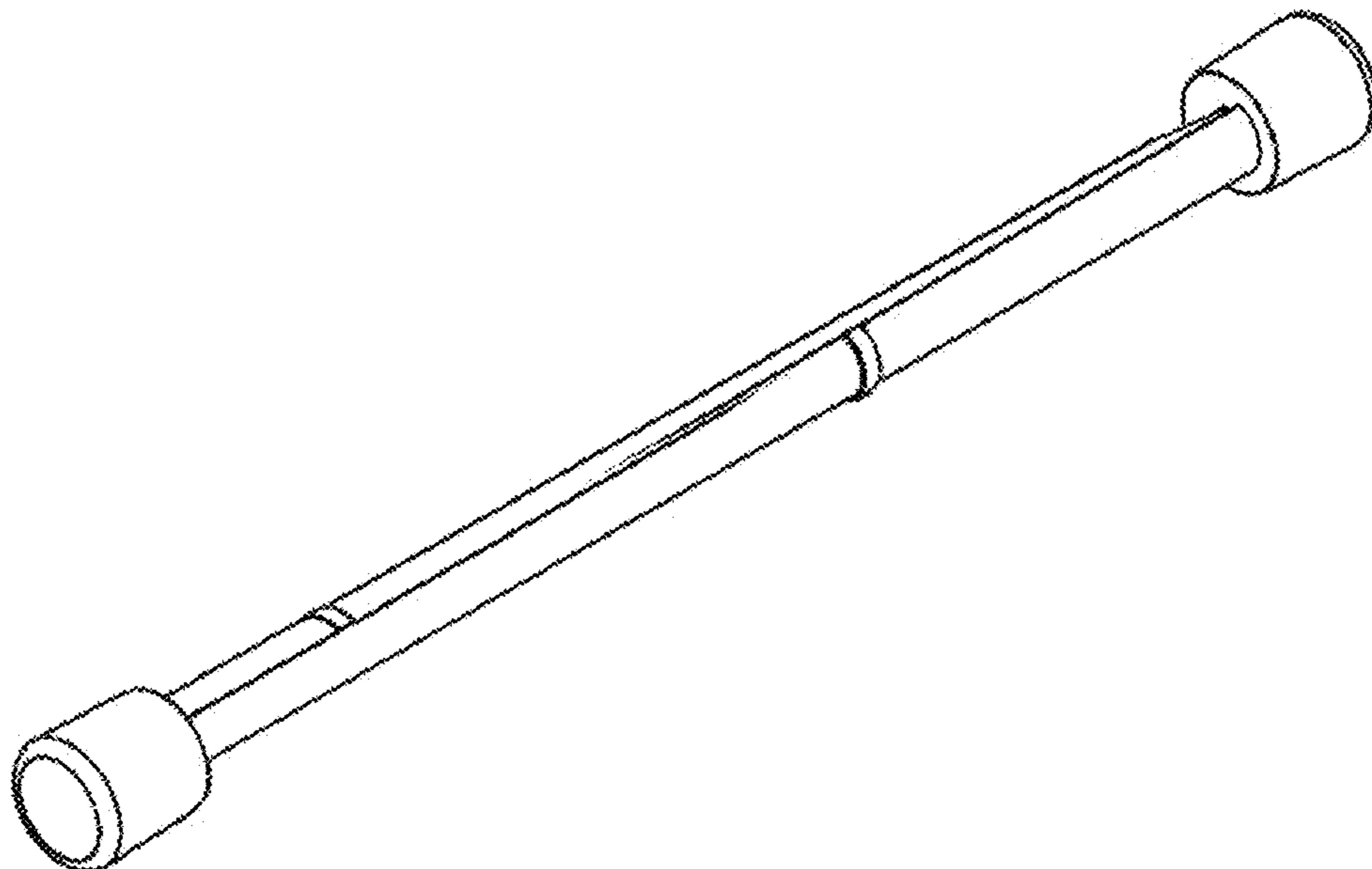
I claim the ornamental design for a hinge, as shown and described.

DESCRIPTION

FIG. 1 is a perspective, assembled view of the hinge of the claimed design;
FIG. 2 is a perspective, disassembled view of the hinge of the claimed design;
FIG. 3 is a first side view of the hinge of the claimed design;
FIG. 4 is a second side view of the hinge of the claimed design;
FIG. 5 is a first end view of the hinge of the claimed design;
and,
FIG. 6 is a second end view of the hinge of the claimed design.
The broken lines shown in FIG. 3 represent unclaimed portions of the hinge.

(56) **References Cited**
U.S. PATENT DOCUMENTS
1,433,095 A * 10/1922 Peary E05D 11/02
16/274
3,991,436 A * 11/1976 Nagase E05D 3/02
16/273
4,720,198 A * 1/1988 DeBruyn E05D 3/10
16/273
D303,753 S * 10/1989 Friedman D8/328
D304,802 S * 11/1989 Yi D8/328
7,290,310 B2 * 11/2007 Yamaguchi E05D 5/10
16/234
D607,709 S * 1/2010 Mizon D8/328
D629,025 S * 12/2010 Greenleaf D15/128
D649,006 S * 11/2011 Johnson D8/323

1 Claim, 6 Drawing Sheets



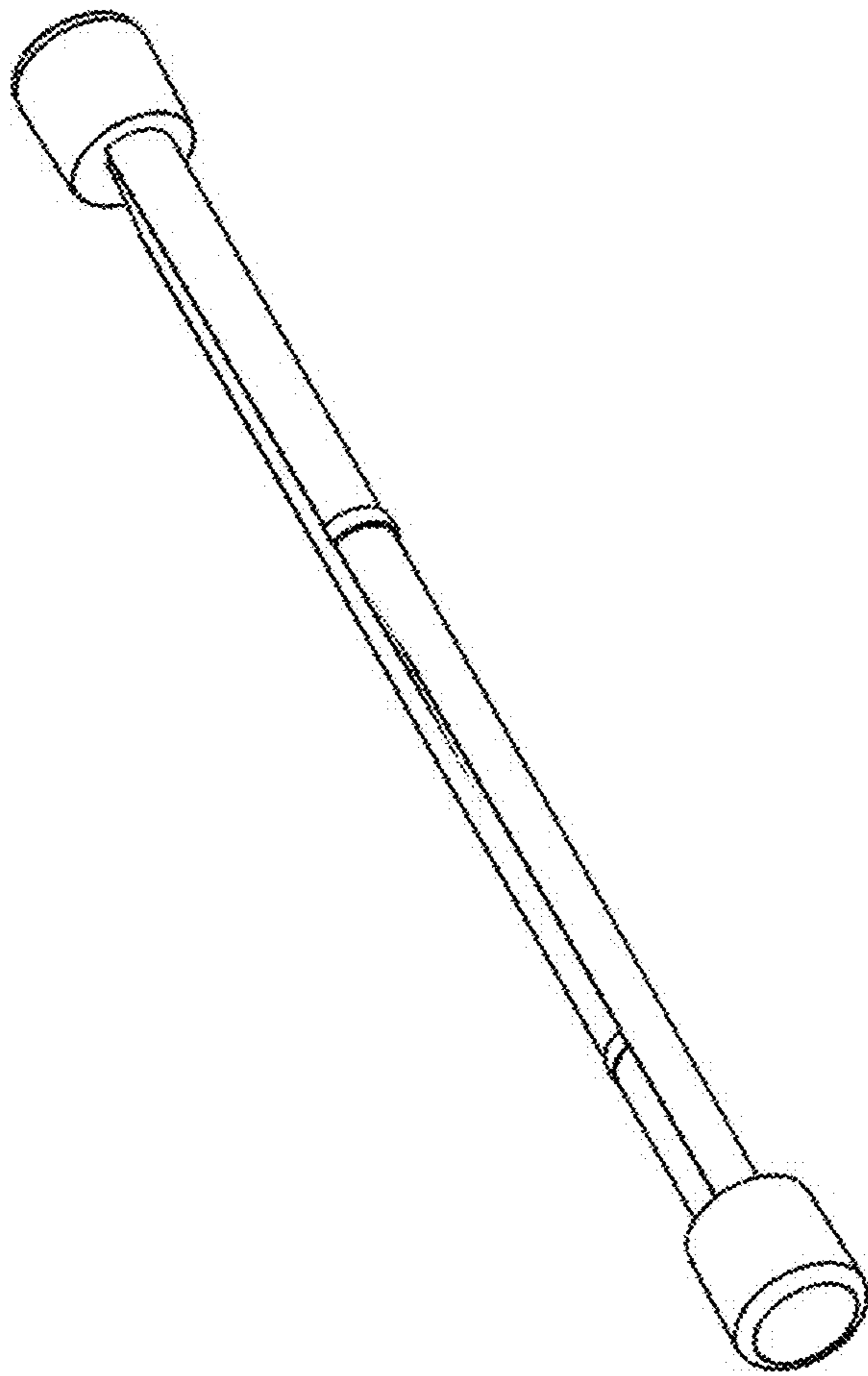


FIGURE 1

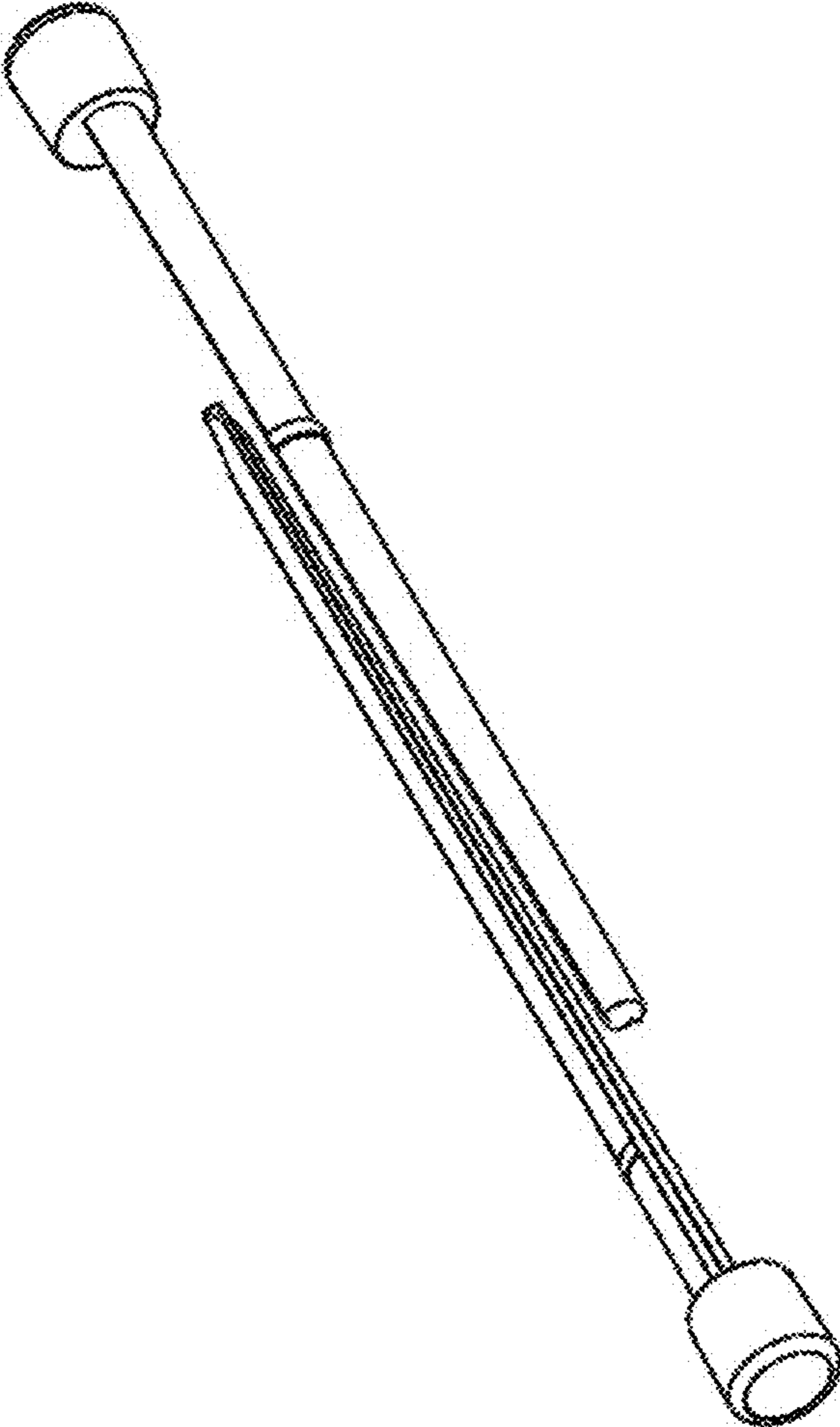


FIGURE 2

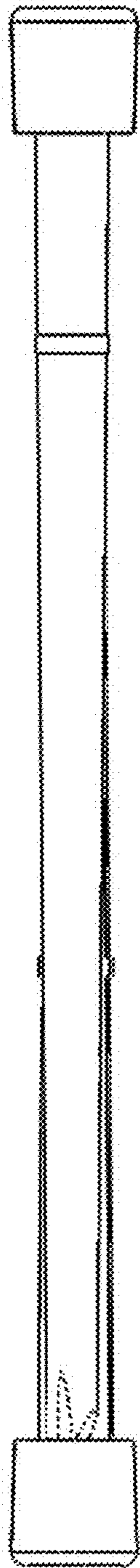


FIGURE 3

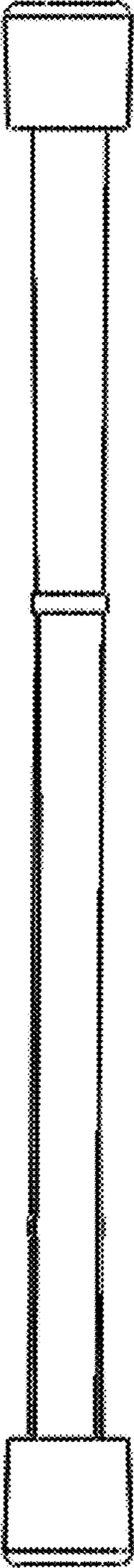


FIGURE 4

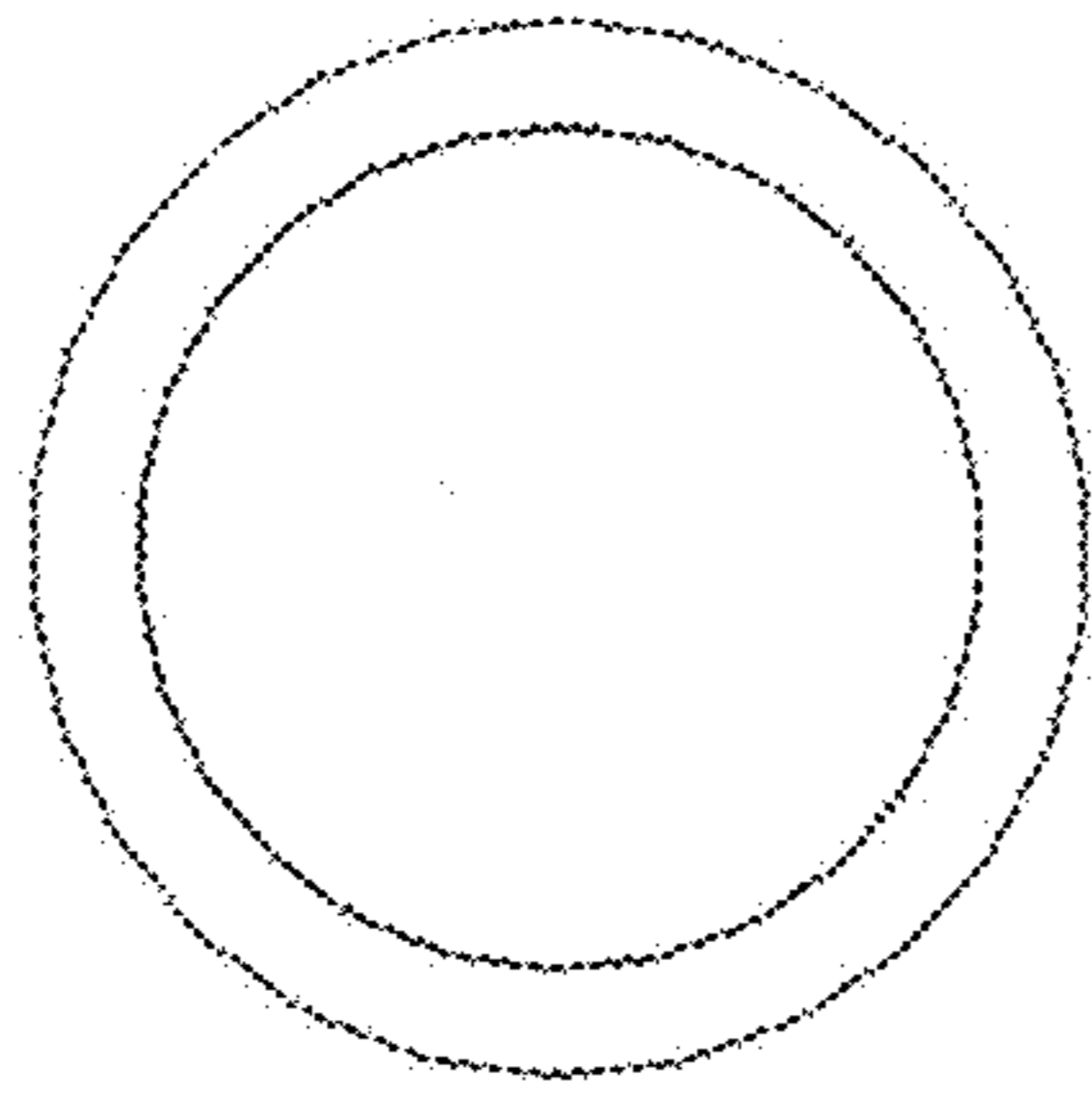


FIGURE 5

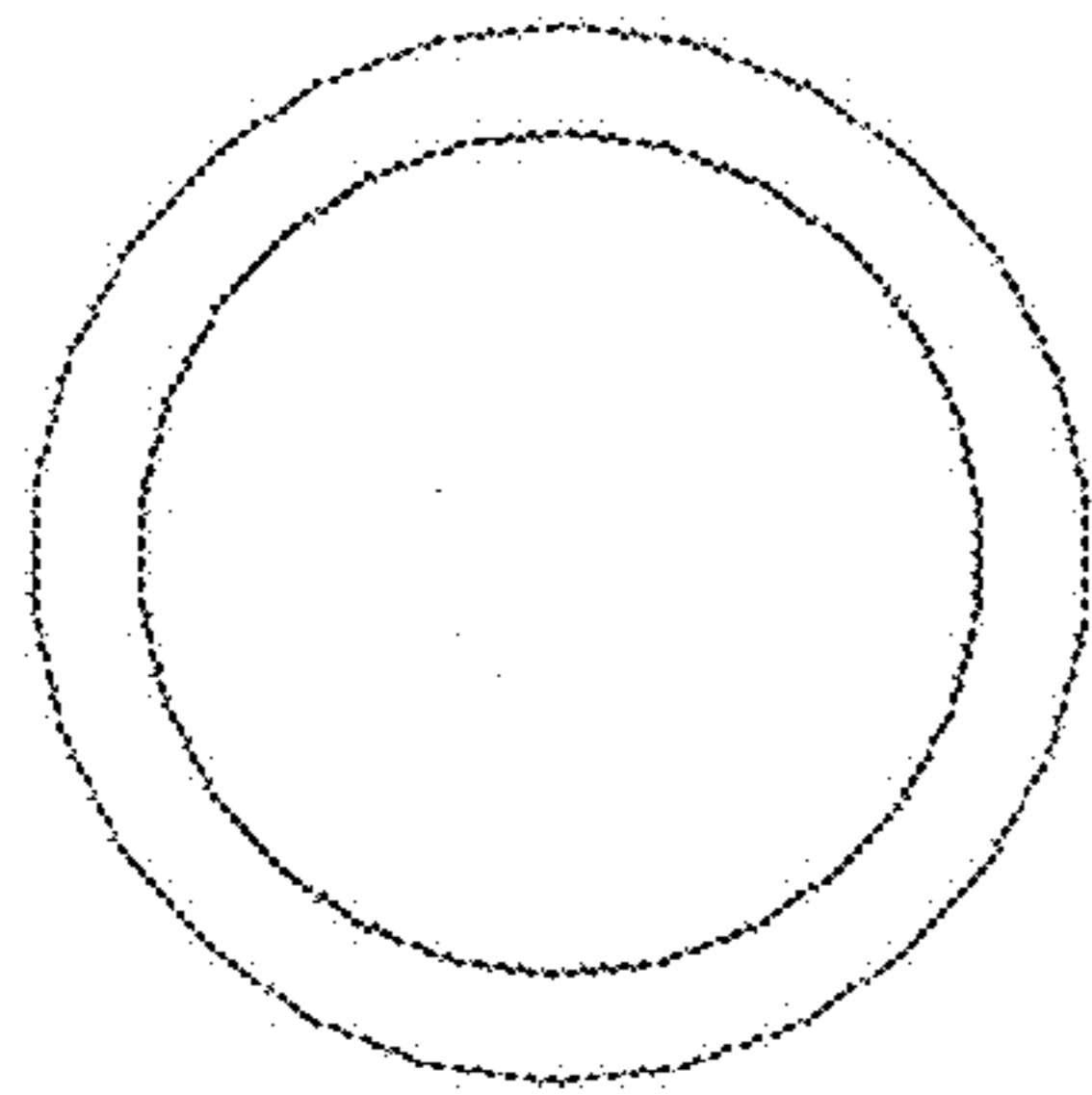


FIGURE 6