



US00D829528S

(12) **United States Design Patent**
Kim et al.

(10) **Patent No.:** **US D829,528 S**

(45) **Date of Patent:** **** Oct. 2, 2018**

- (54) **KNOB FOR GAS OVEN RANGE**
- (71) Applicant: **LG ELECTRONICS INC.**, Seoul (KR)
- (72) Inventors: **Sooyeon Kim**, Seoul (KR); **Miyoung Kim**, Seoul (KR); **Songyi Han**, Seoul (KR); **Inhwan Ryu**, Seoul (KR); **Jinwon Kang**, Seoul (KR)
- (73) Assignee: **LG ELECTRONICS INC.**, Seoul (KR)

| | | | |
|--------------|---------|-------------------|--------|
| D612,686 S * | 3/2010 | Busalt | D7/406 |
| D628,457 S * | 12/2010 | Bengtson | D8/311 |
| D634,156 S * | 3/2011 | Fuller | D7/393 |
| D637,886 S * | 5/2011 | Bengtson | D8/311 |
| D642,042 S * | 7/2011 | Kim | D8/311 |
| D703,998 S * | 5/2014 | Funnell, II | D7/393 |
| D715,126 S * | 10/2014 | Kim | D7/393 |
| D722,815 S * | 2/2015 | Fuller | D7/393 |
| D726,524 S * | 4/2015 | Borjesson | D8/311 |
| D766,698 S * | 9/2016 | Vergin | D8/311 |
| D766,699 S * | 9/2016 | Vergin | D8/311 |
| D773,917 S * | 12/2016 | Shoemaker | D8/311 |

(Continued)

(**) Term: **15 Years**

Primary Examiner — Darlington Ly

(74) *Attorney, Agent, or Firm* — Birch, Stewart, Kolasch & Birch, LLP

(21) Appl. No.: **35/503,282**

(22) Filed: **Jan. 4, 2017**

(57) **CLAIM**

The ornamental design for a knob for gas oven range, as shown and described.

(80) **Hague Agreement Data**

Int. Filing Date: **Jan. 4, 2017**

Int. Reg. No.: **DM/094615**

Int. Reg. Date: **Jan. 4, 2017**

Int. Reg. Pub. Date: **Jul. 7, 2017**

DESCRIPTION

(30) **Foreign Application Priority Data**

Jul. 15, 2016 (KR) 30-2016-0034727

(51) **LOC (11) Cl.** **08-06**

(52) **U.S. Cl.**
USPC **D8/311; D7/393**

(58) **Field of Classification Search**
USPC D7/393, 323, 332, 339-341, 346-349, D7/387, 402, 406; D8/300, 310, 311
CPC . F24C 7/085; F24C 7/082; F24C 7/081; A47J 37/0623; A47J 37/0629; A47J 37/0647
See application file for complete search history.

1. Knob for gas oven range

1.1 is a top, front, and right side perspective view of a knob for gas oven range showing our new design;

1.2 is a front elevation view thereof;

1.3 is a rear elevation view thereof;

1.4 is a left side elevation view thereof;

1.5 is a right side elevation view thereof;

1.6 is a top plan view thereof;

1.7 is a bottom plan view thereof; and

1.8 is a top, front, and right side perspective view thereof in an operational state; and

1.9 is a top, front, and right side perspective view thereof as installed in an exemplary gas oven range.

The reproduction **1.8** is a perspective view of the knob for gas oven range in an operational state.

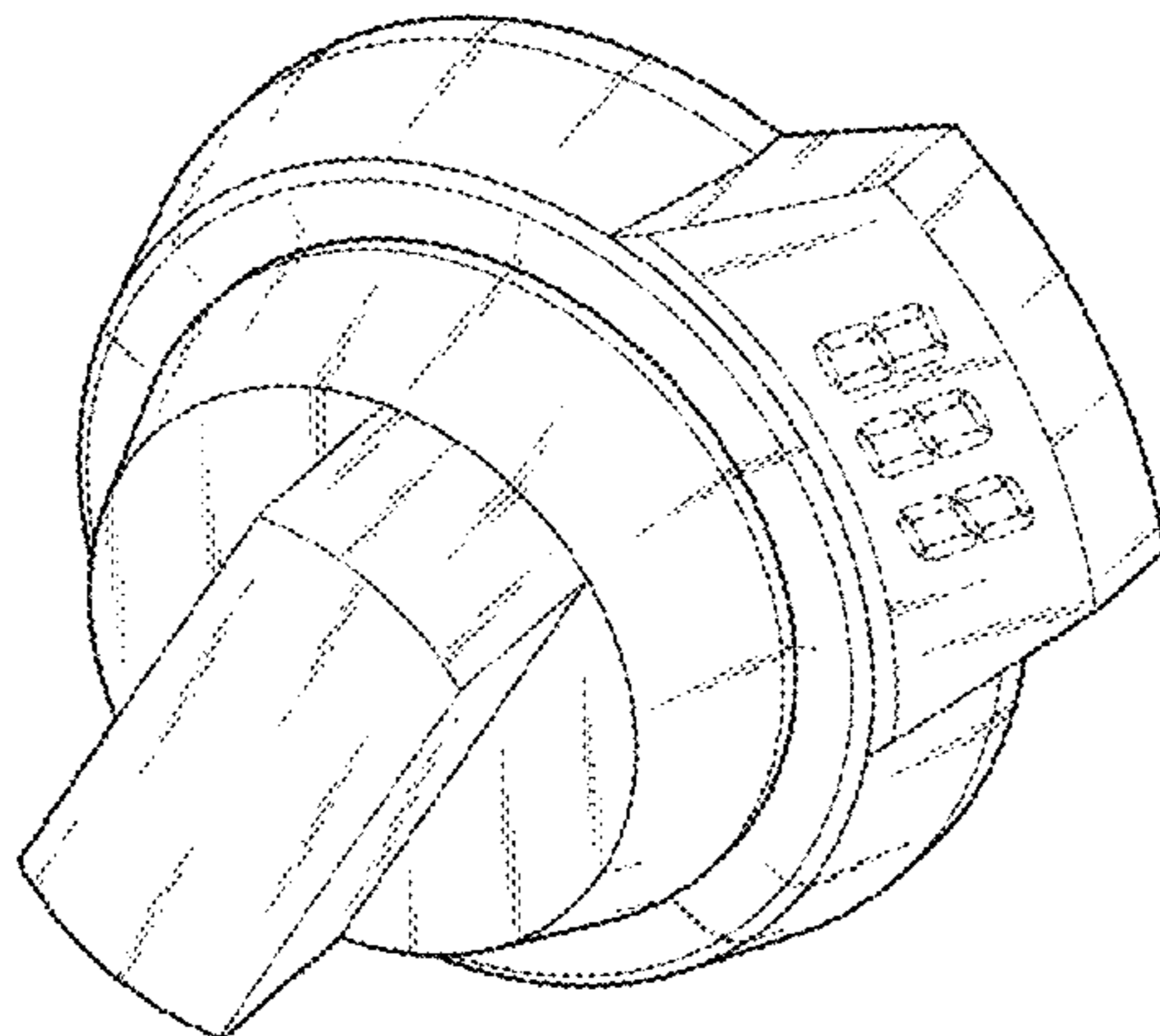
The broken line showing portions of the knob and an exemplary gas oven range form no part of the claimed design.

(56) **References Cited**

U.S. PATENT DOCUMENTS

| | | | |
|--------------|--------|-------------|---------|
| D203,991 S * | 3/1966 | Rosen | D10/103 |
| D211,324 S * | 6/1968 | Kirk | D8/311 |

1 Claim, 9 Drawing Sheets



(56)

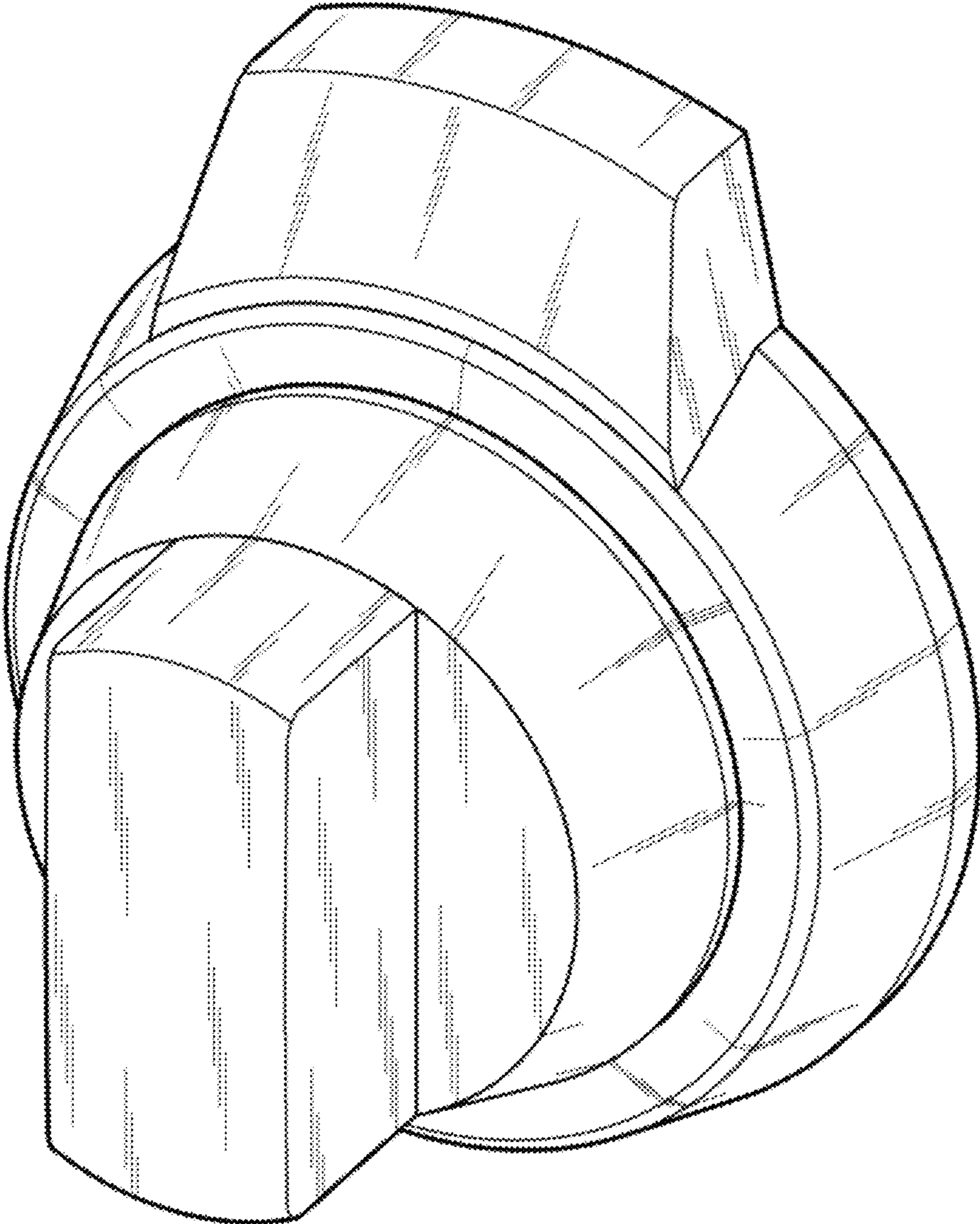
References Cited

U.S. PATENT DOCUMENTS

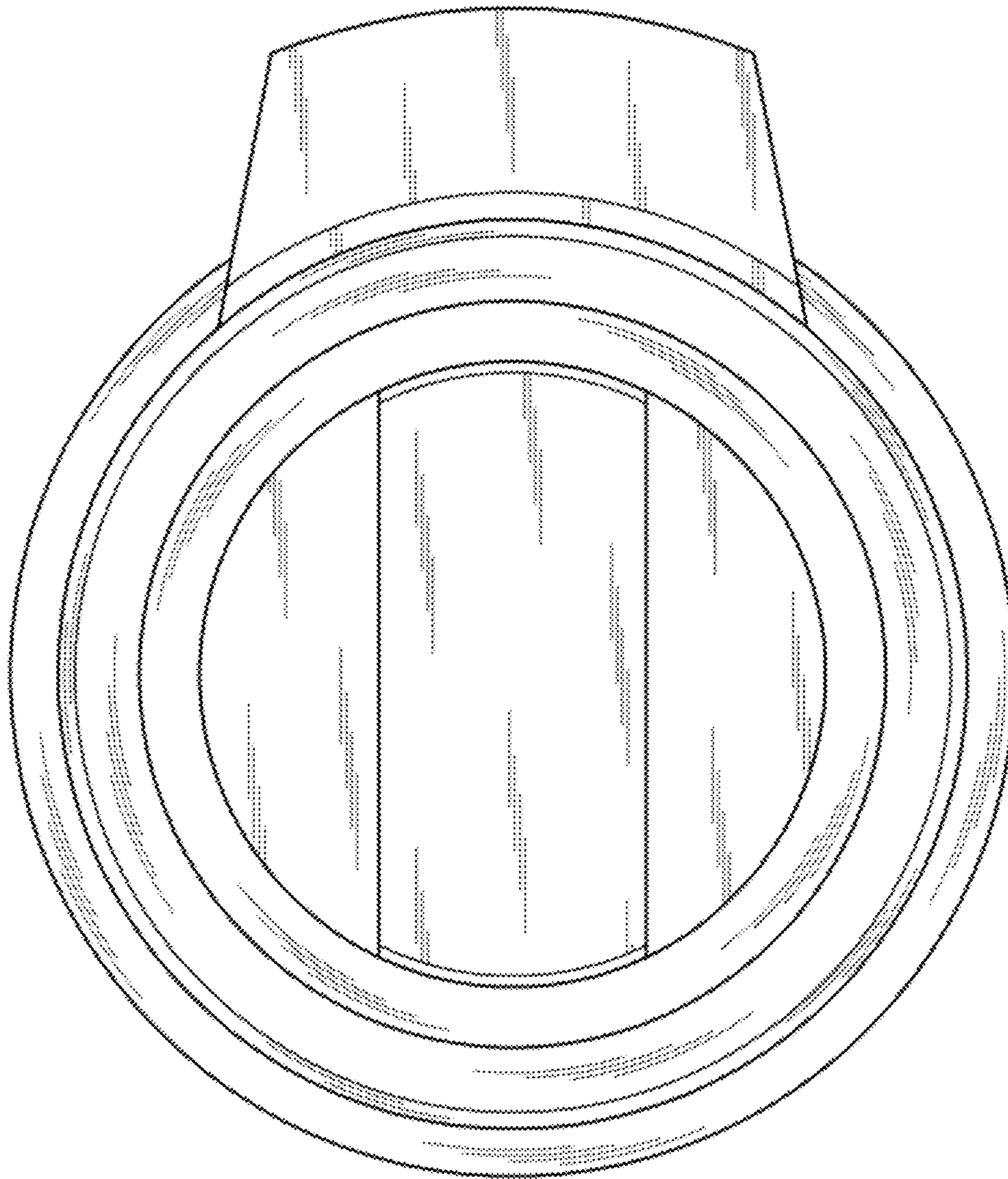
| | | | | | |
|--------------|------|---------|-------------|-------|-----------------------|
| D775,493 | S * | 1/2017 | Funnell, II | | D7/406 |
| D779,303 | S * | 2/2017 | Shoemaker | | D8/311 |
| D781,648 | S * | 3/2017 | Shoemaker | | D7/406 |
| D786,650 | S * | 5/2017 | Lira-Nunez | | D8/311 |
| D786,651 | S * | 5/2017 | Shoemaker | | D8/311 |
| 9,684,329 | B2 * | 6/2017 | Lawson | | G05G 1/082 |
| D791,567 | S * | 7/2017 | Incukur | | D8/311 |
| D792,189 | S * | 7/2017 | Incukur | | D8/311 |
| D793,199 | S * | 8/2017 | Nilssen | | D8/311 |
| D805,842 | S * | 12/2017 | Funnell, II | | D7/406 |
| D808,243 | S * | 1/2018 | Clements | | D8/311 |
| D808,717 | S * | 1/2018 | Funnell, II | | D7/406 |
| D808,767 | S * | 1/2018 | Kim | | D8/311 |
| D817,145 | S * | 5/2018 | Kim | | D8/311 |
| 2004/0070574 | A1 * | 4/2004 | Wylie | | F24C 7/082 345/184 |

* cited by examiner

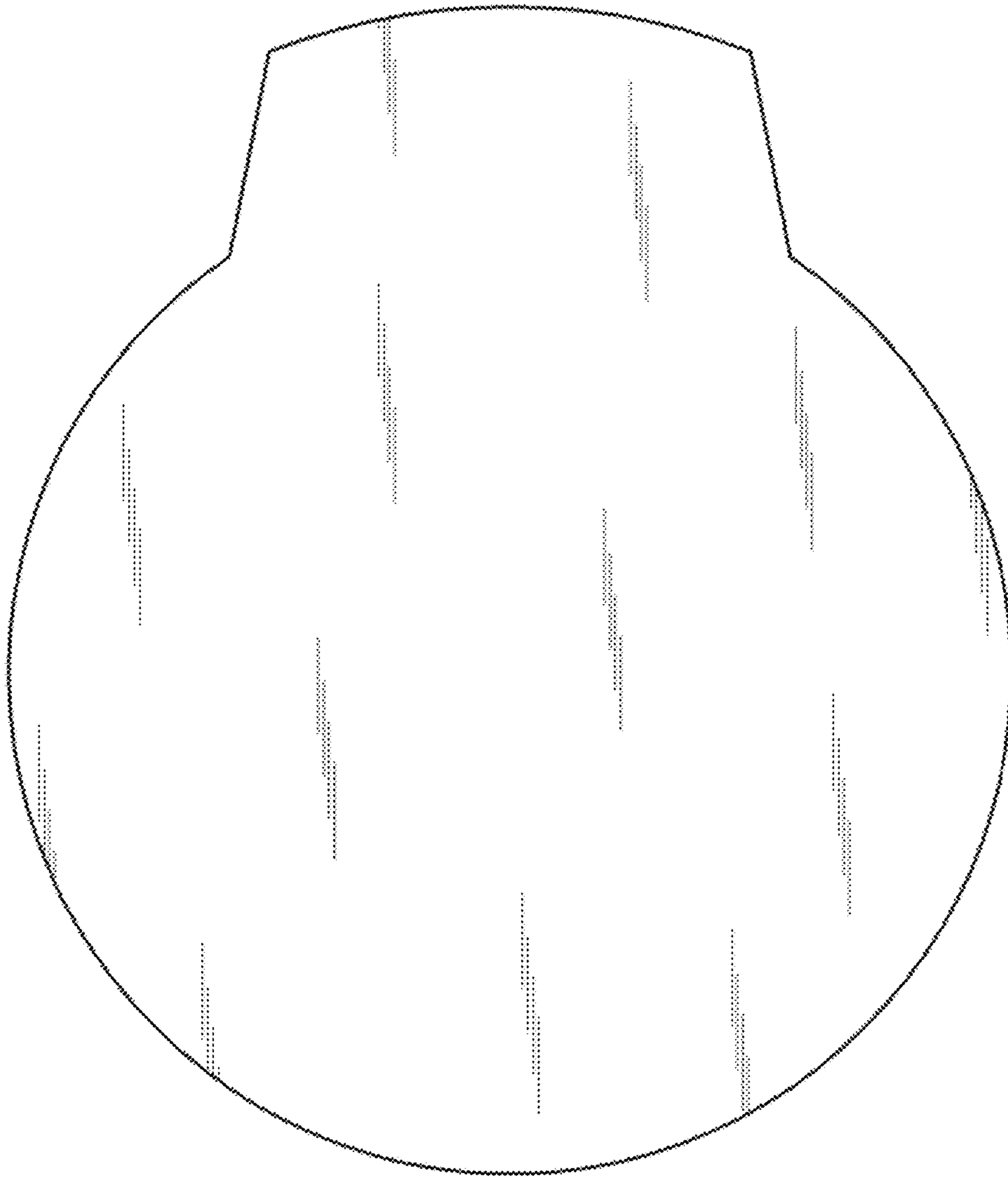
1.1



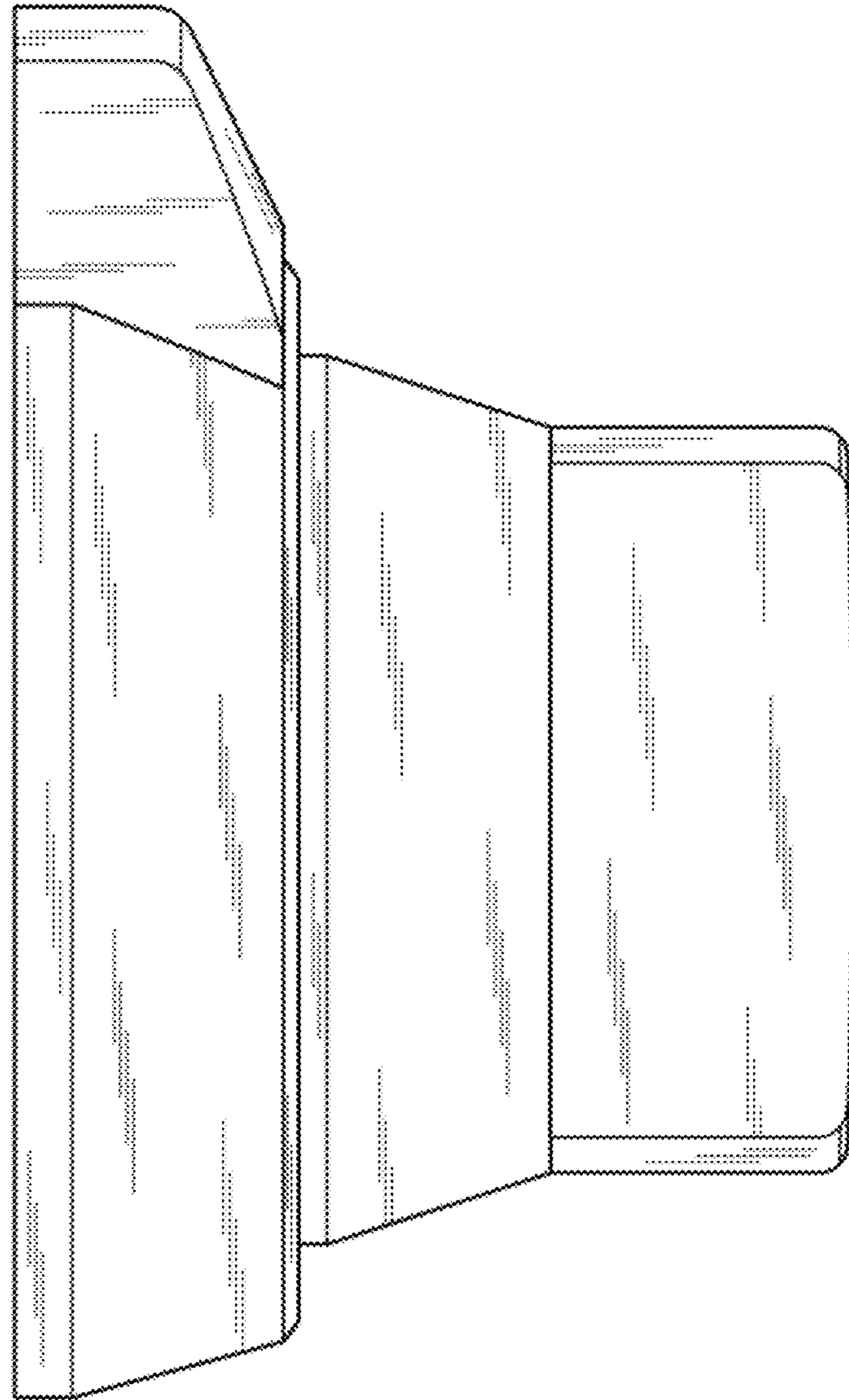
1.2



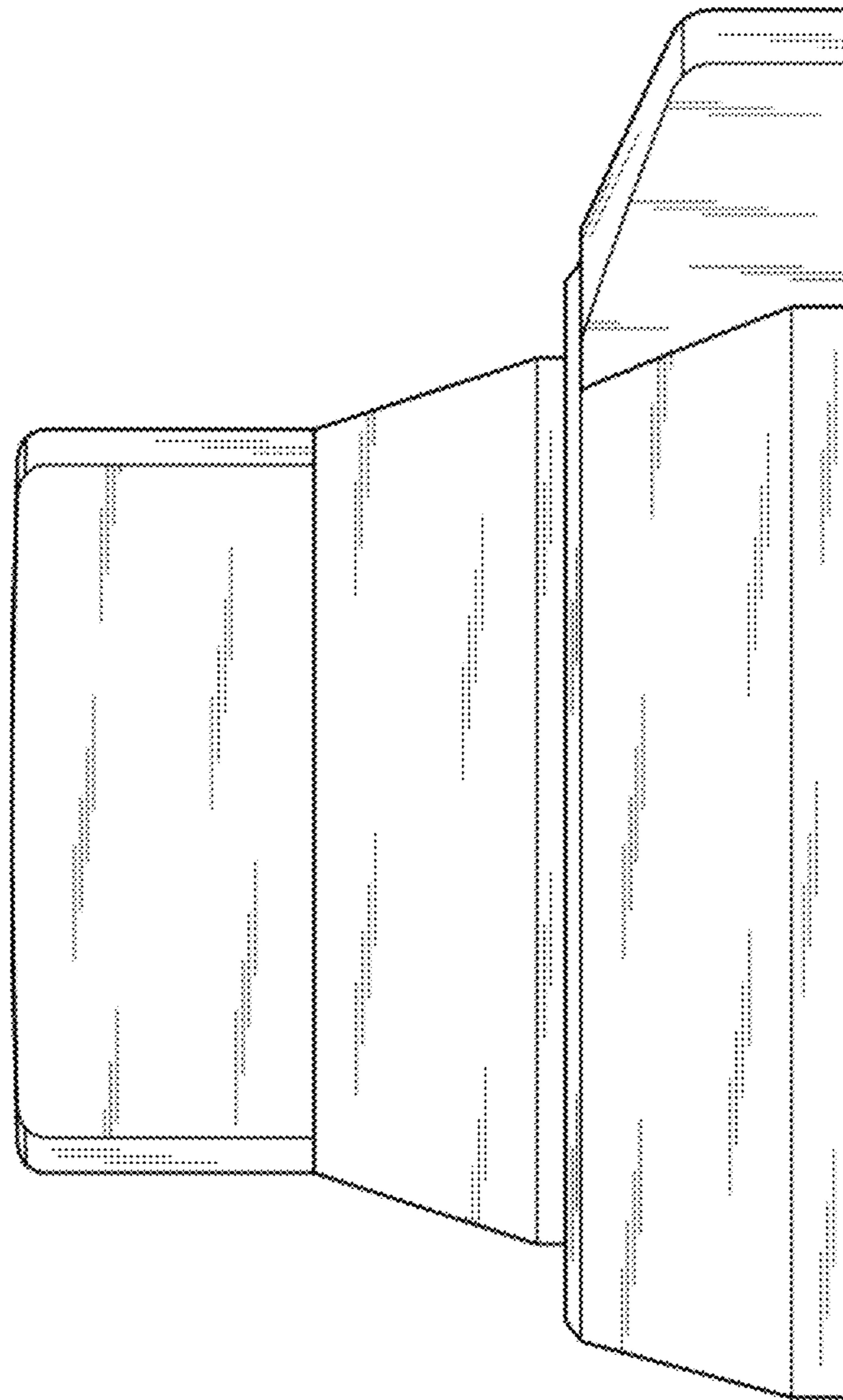
1.3



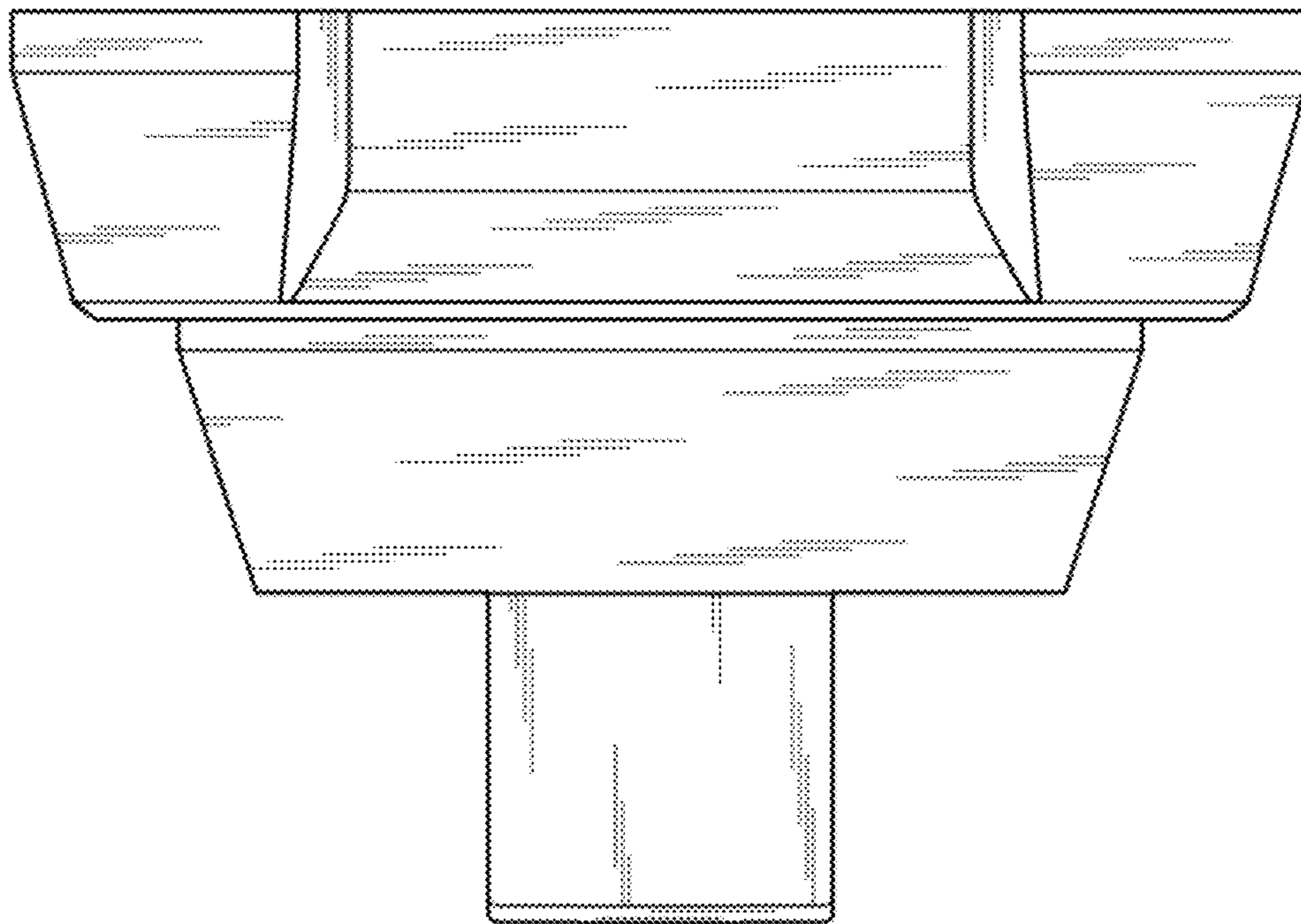
1.4



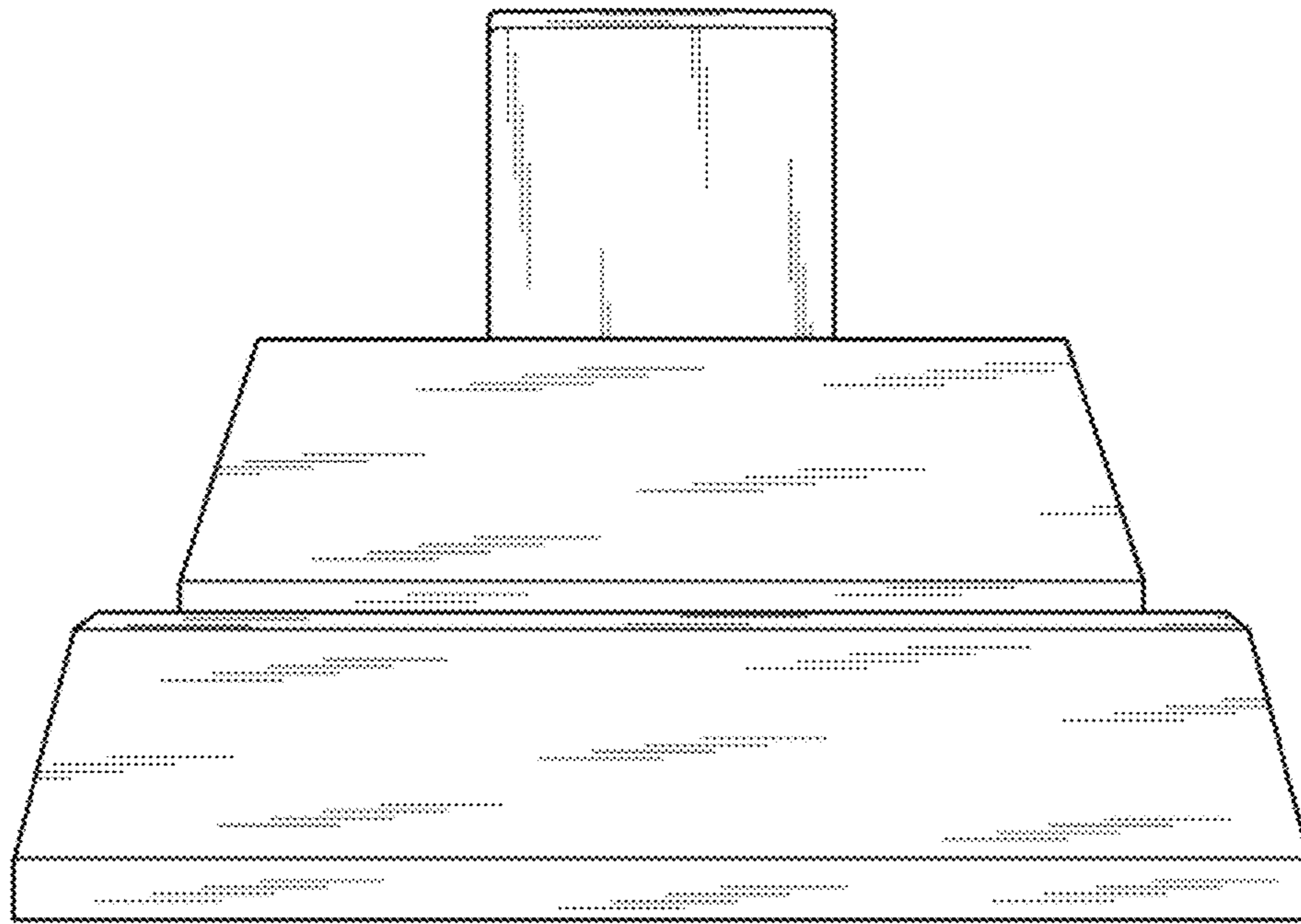
1.5



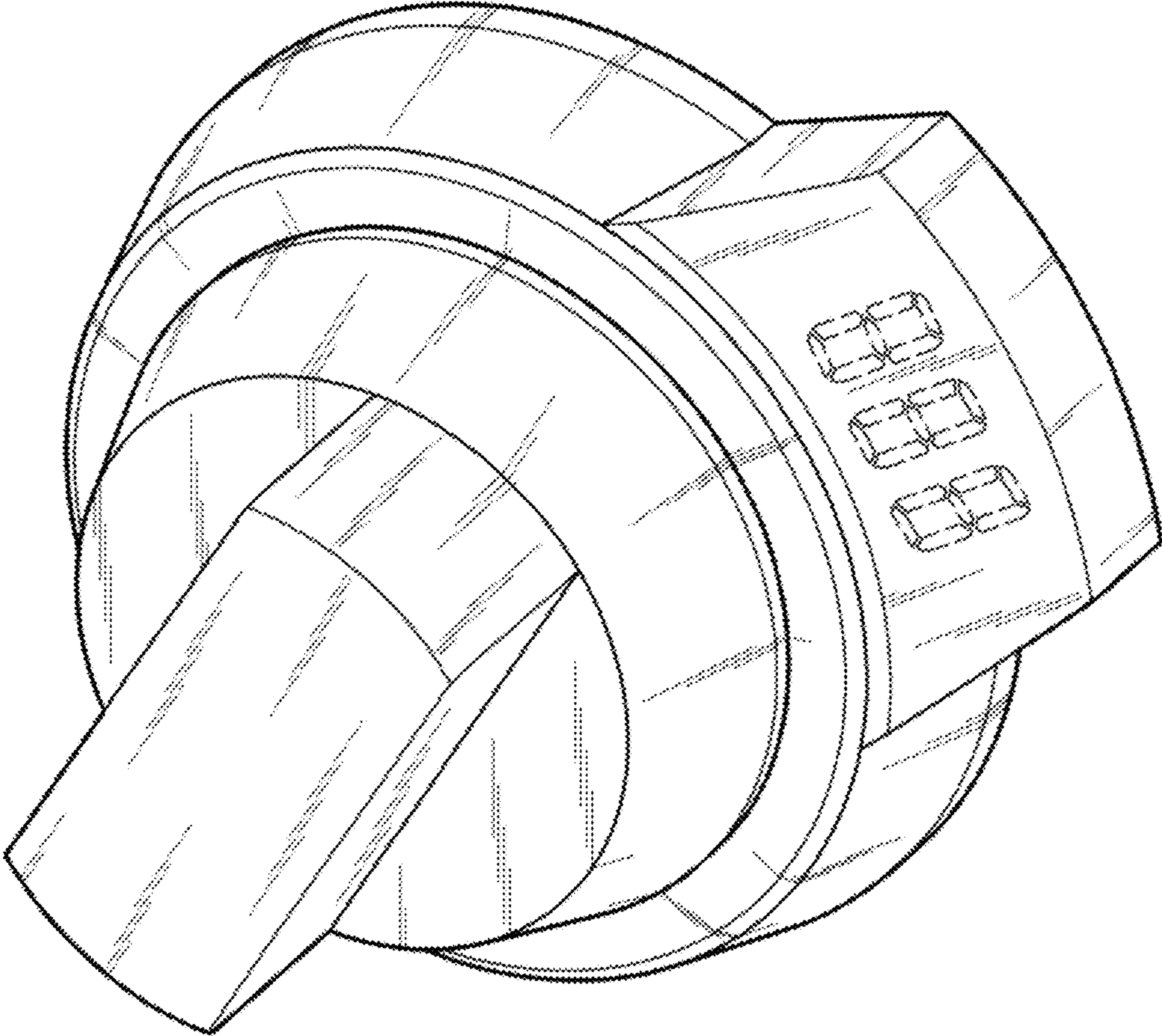
1.6



1.7



1.8



1.9

