

US00D829527S

(12) **United States Design Patent** (10) **Patent No.:** **US D829,527 S**  
**Kang et al.** (45) **Date of Patent:** **\*\* Oct. 2, 2018**

(54) **KNOB FOR HOME APPLIANCE**  
(71) Applicant: **SAMSUNG ELECTRONICS CO., LTD.**, Suwon-si, Gyeonggi-do (KR)  
(72) Inventors: **Jichang Kang**, Seoul (KR); **Jaejun Kim**, Seoul (KR); **Hyeongju Seo**, Seoul (KR); **Jongsu Jeon**, Seongnam-si (KR); **Hwanwoong Choi**, Seoul (KR)  
(73) Assignee: **SAMSUNG ELECTRONICS CO., LTD.**, Gyeonggi-Do (KR)  
(\*\*) Term: **15 Years**

D284,928 S 8/1986 Clark  
D291,053 S \* 7/1987 Decursu ..... D8/310  
7,203,998 B2 \* 4/2007 Howie, Jr. .... G05G 1/105  
16/414  
D562,347 S \* 2/2008 Morisawa ..... D14/246  
7,834,865 B2 \* 11/2010 Jannasch ..... G05G 1/10  
200/564  
D652,898 S \* 1/2012 Flowers ..... D23/252  
8,264,338 B2 \* 9/2012 Leon ..... B60K 37/06  
340/456  
D668,928 S \* 10/2012 Butan ..... D8/312  
8,350,731 B2 \* 1/2013 Kato ..... H01H 25/008  
250/231.14  
8,579,141 B2 \* 11/2013 Tejima ..... G05G 1/10  
215/230  
8,581,718 B2 \* 11/2013 Muller ..... B60K 35/00  
340/3.71

(21) Appl. No.: **29/606,601**  
(22) Filed: **Jun. 6, 2017**

(Continued)

(30) **Foreign Application Priority Data**  
Dec. 26, 2016 (KR) ..... 30-2016-0063168  
(51) **LOC (11) Cl.** ..... **08-06**  
(52) **U.S. Cl.**  
USPC ..... **D8/311**  
(58) **Field of Classification Search**  
USPC ..... D8/107, 300, 301, 307, 310, 311, 312;  
D23/250, 421  
CPC ... Y10T 292/57; Y10T 292/82; Y10T 16/469;  
Y10T 16/44; Y10T 16/476; Y10T  
74/2084; Y10T 292/85; Y10T 74/2087;  
Y10T 16/4713; Y10T 16/506; Y10T  
74/20876; Y10T 74/20612; Y10T  
70/5765; Y10T 16/459; Y10T 74/2066;  
Y10T 16/487; Y10T 74/20822  
See application file for complete search history.

**FOREIGN PATENT DOCUMENTS**

EM 001602848-0001 8/2009  
EM 002430686-0001 3/2014

*Primary Examiner* — Lauren R Calve  
(74) *Attorney, Agent, or Firm* — Cantor Colburn LLP

(57) **CLAIM**

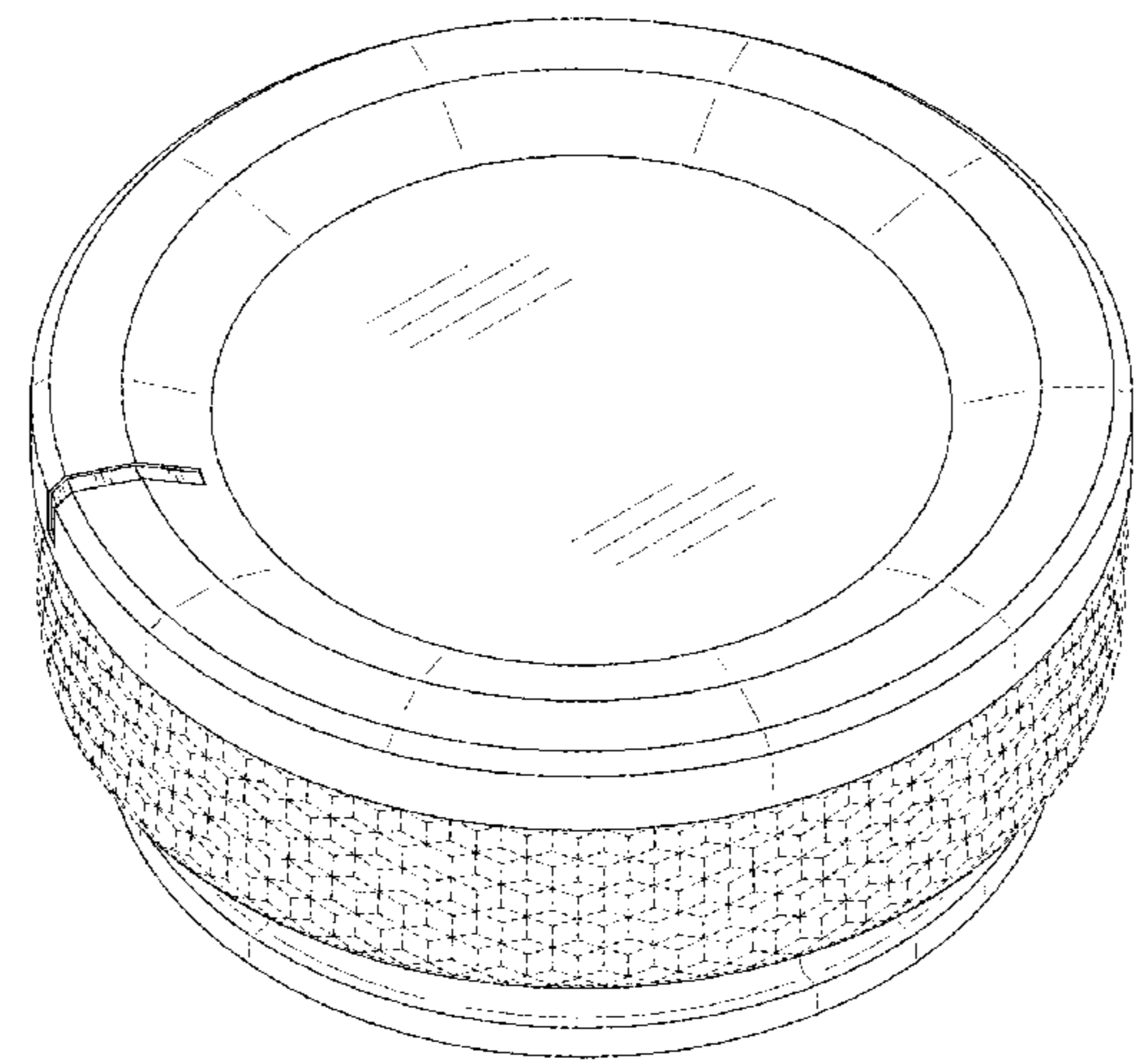
The ornamental design for a knob for home appliance, as shown and described.

**DESCRIPTION**

FIG. 1 is a front perspective view of a knob for home appliance showing our new design;  
FIG. 2 is a front view thereof;  
FIG. 3 is a rear view thereof;  
FIG. 4 is a left-side view thereof;  
FIG. 5 is a right-side view thereof;  
FIG. 6 is a top view thereof; and,  
FIG. 7 is a bottom view thereof.  
The broken lines illustrating portions of the knob for home appliance form no part of the claimed design.

(56) **References Cited**  
**U.S. PATENT DOCUMENTS**  
D155,349 S \* 9/1949 Lear ..... D8/309  
D284,064 S \* 6/1986 Poissant ..... D8/311

**1 Claim, 7 Drawing Sheets**



(56)

**References Cited**

U.S. PATENT DOCUMENTS

8,806,798 B2 \* 8/2014 Crispin ..... F41G 1/38  
42/119  
9,631,700 B2 \* 4/2017 Edinger ..... F24C 7/08  
D786,406 S \* 5/2017 Schoenherr ..... D23/250  
D786,604 S \* 5/2017 Lira-Nunez ..... D7/311  
D786,650 S \* 5/2017 Lira-Nunez ..... D8/311  
D787,638 S \* 5/2017 Schoenherr ..... D23/250  
9,845,868 B2 \* 12/2017 Lee ..... F16H 59/08  
D806,512 S \* 1/2018 Chow ..... D8/311  
9,978,540 B2 \* 5/2018 Tanaka ..... H01H 9/182  
2005/0145466 A1 \* 7/2005 Wang ..... H01H 19/11  
200/11 R  
2006/0048341 A1 \* 3/2006 Koller ..... G06F 3/0362  
16/413  
2008/0289239 A1 \* 11/2008 Menges ..... F41G 1/38  
42/125  
2017/0185099 A1 \* 6/2017 Edinger ..... G05G 9/02

\* cited by examiner

FIG. 1

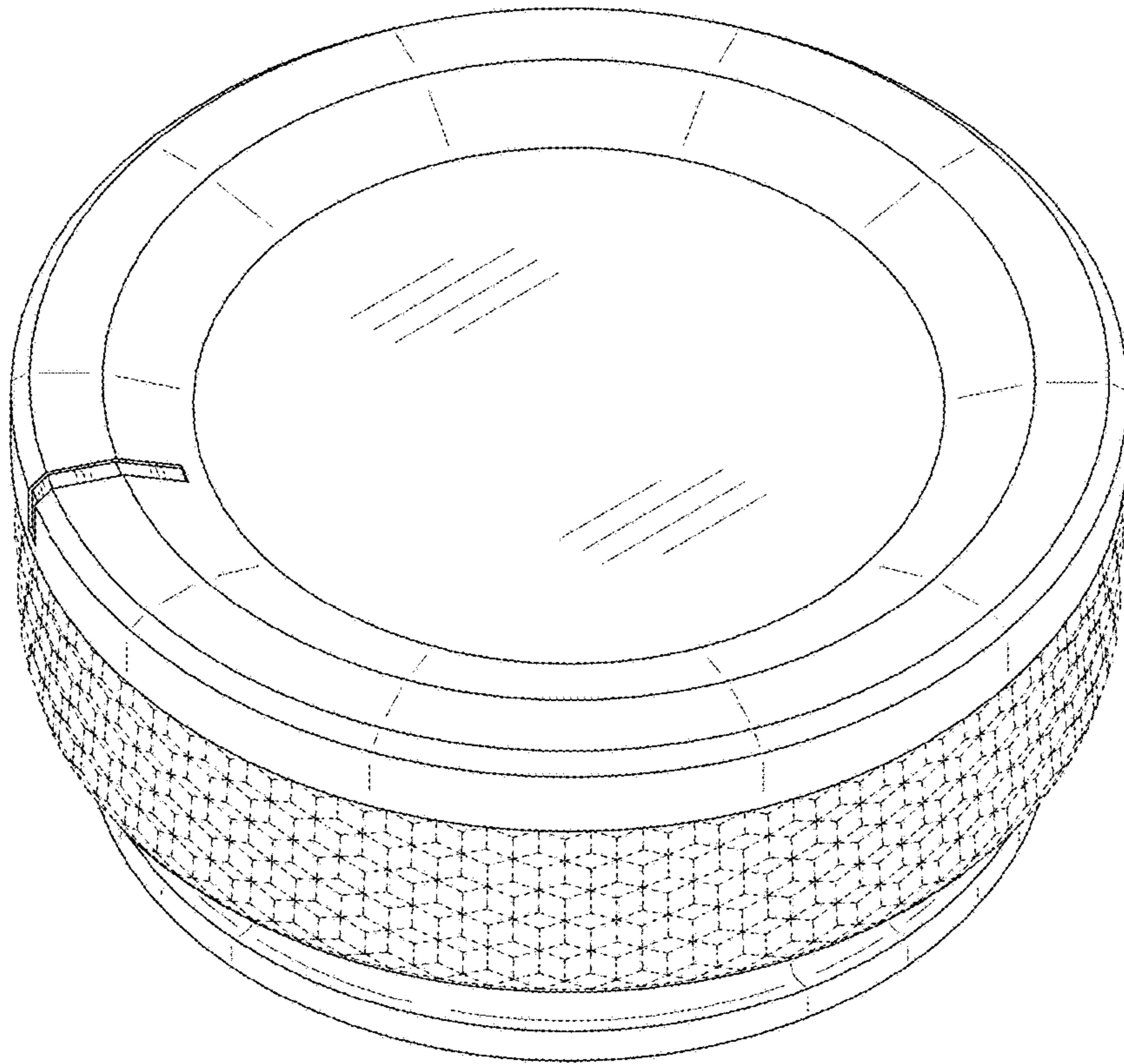


FIG. 2

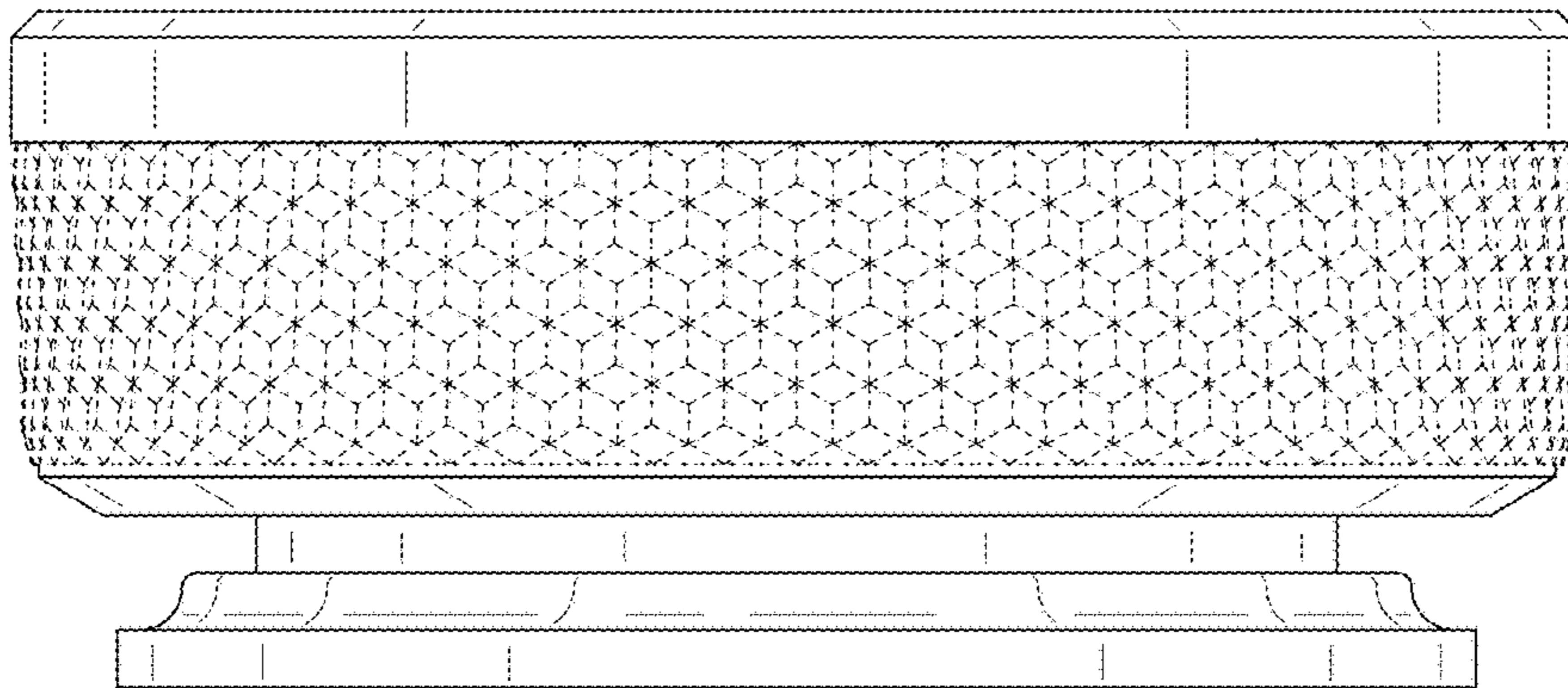


FIG. 3

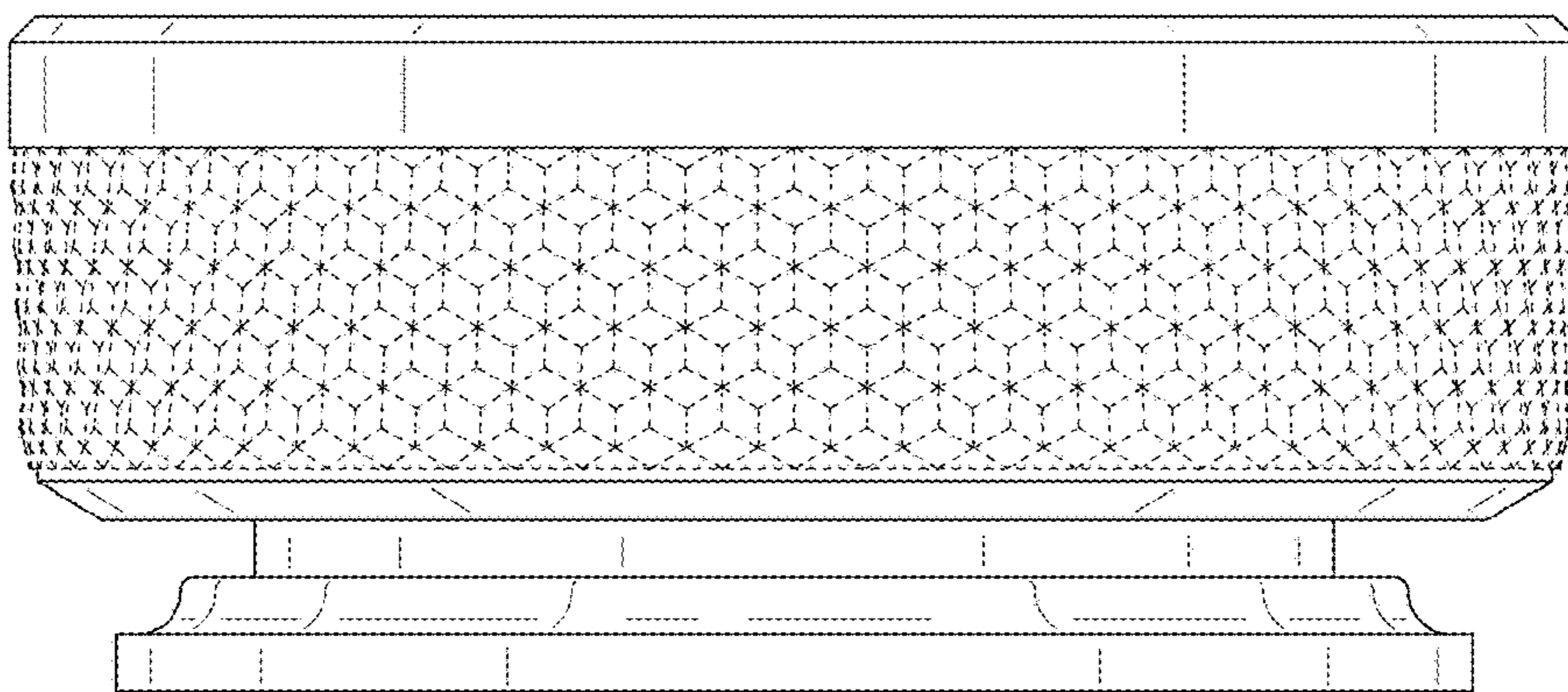




FIG. 4

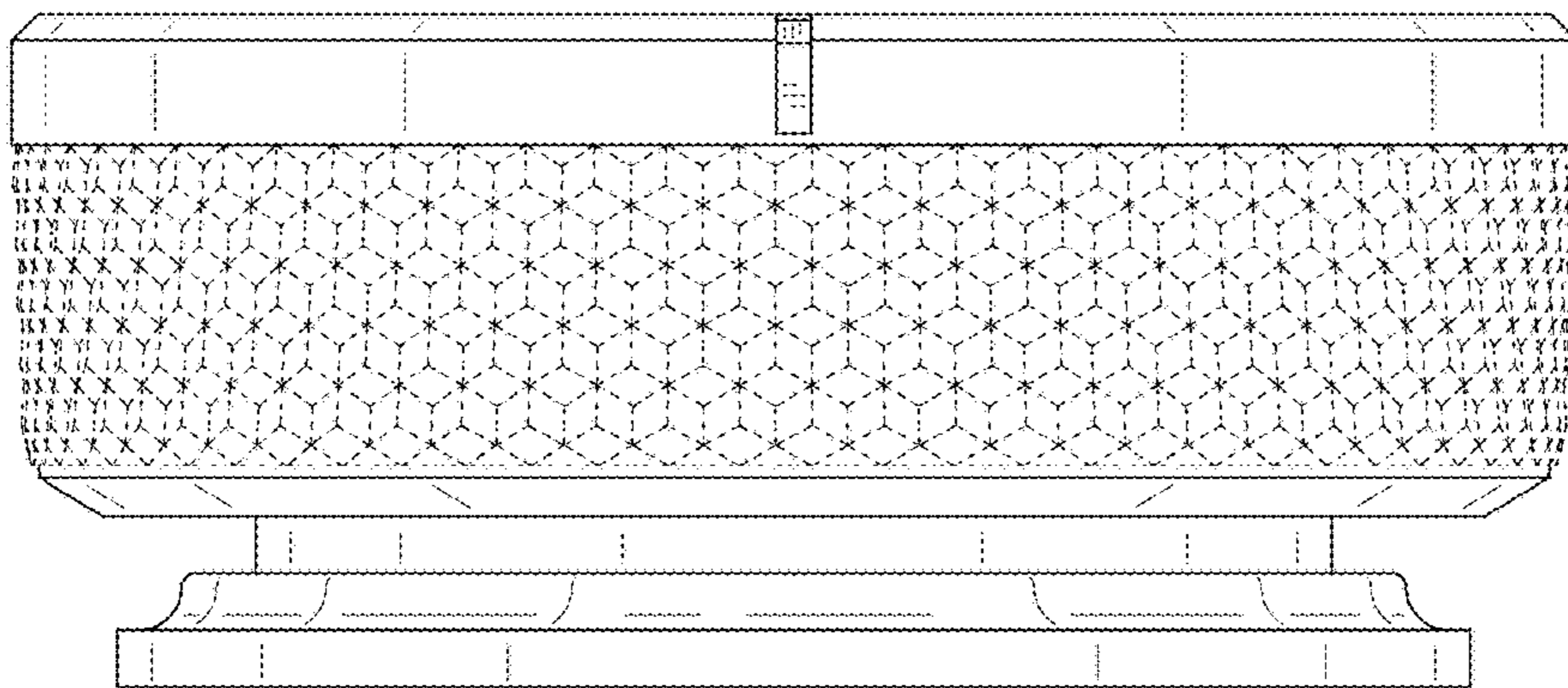


FIG. 5

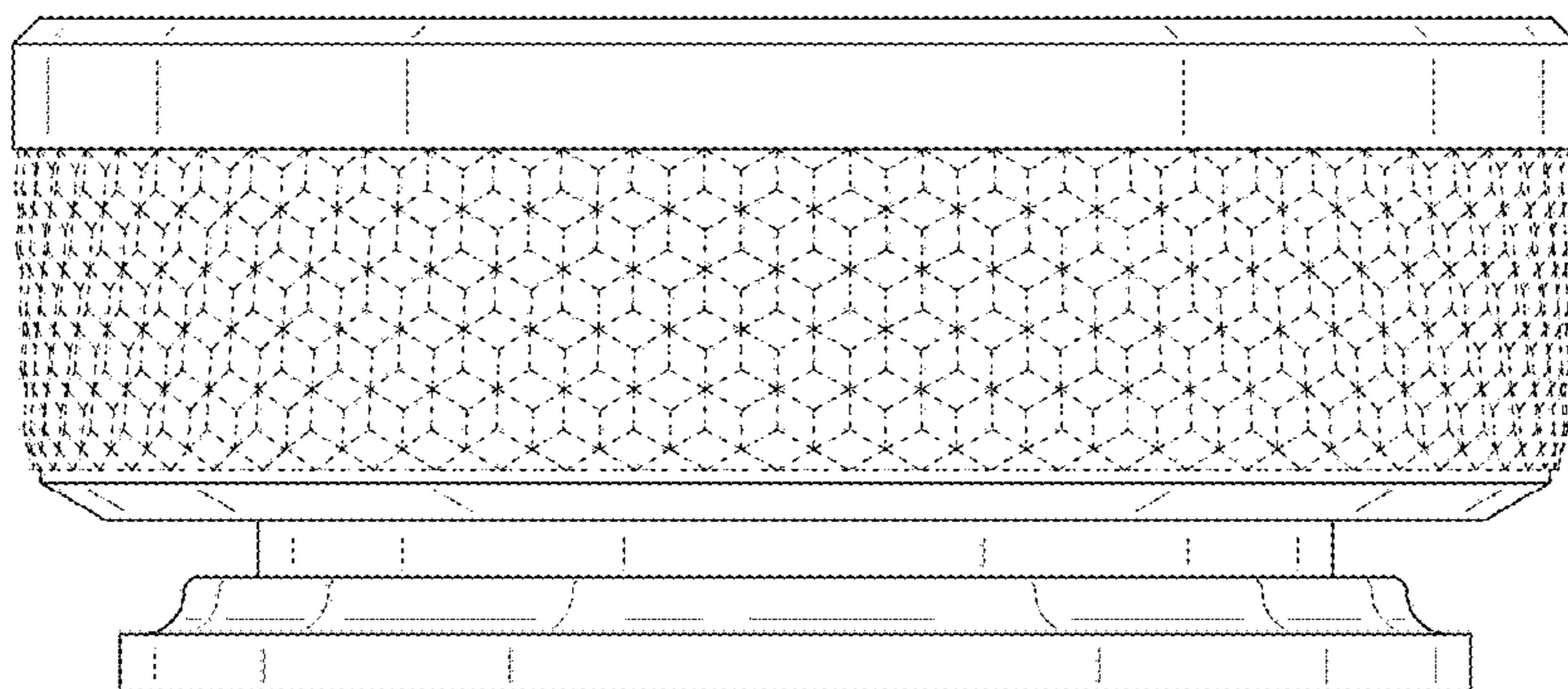


FIG. 6

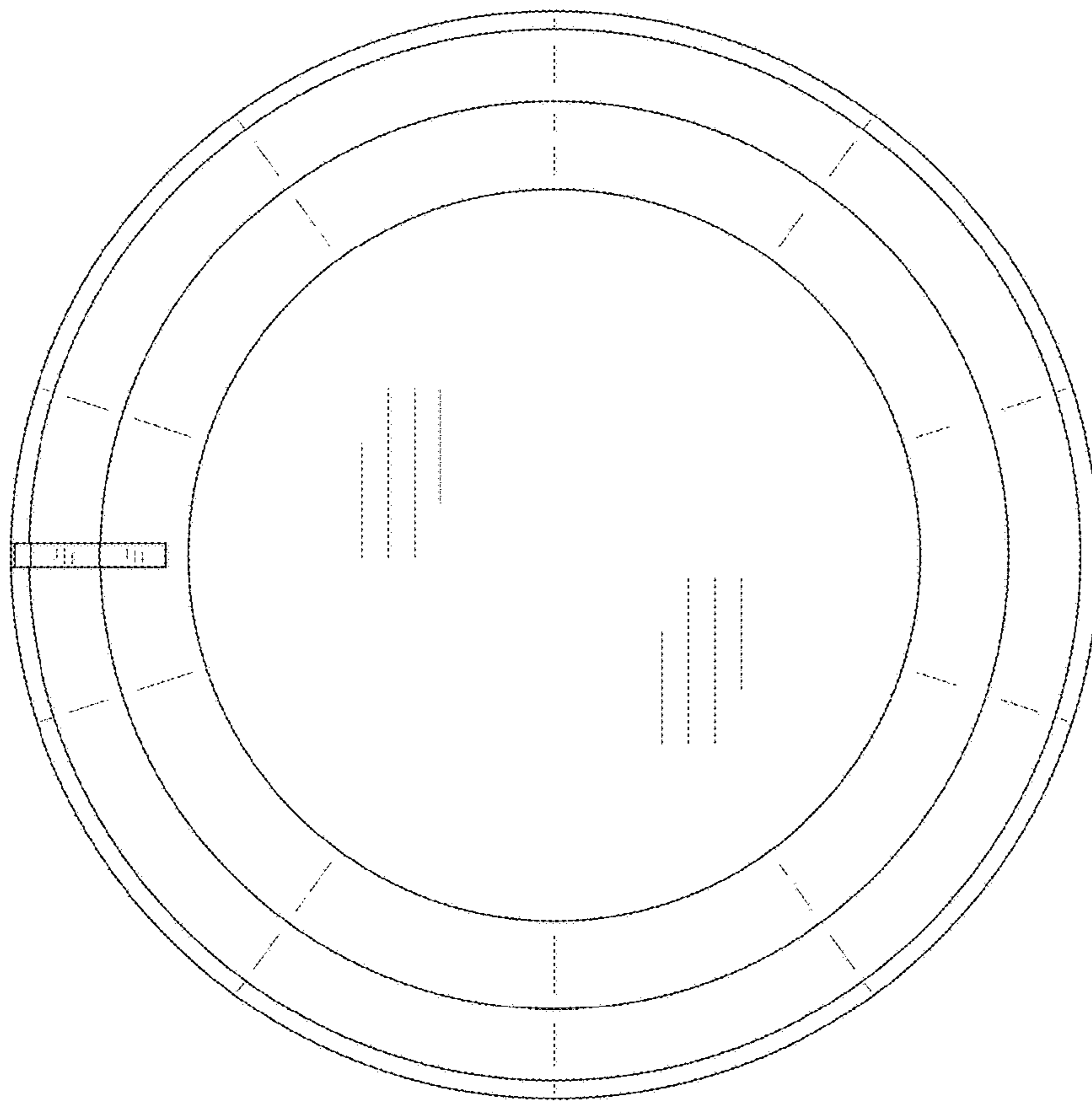




FIG. 7

