



US00D829526S

(12) **United States Design Patent**  
**Harrington**

(10) **Patent No.:** **US D829,526 S**  
(45) **Date of Patent:** **\*\* Oct. 2, 2018**

- (54) **TOOL HANDLE**
- (71) Applicant: **Unger Marketing International, LLC**,  
Bridgeport, CT (US)
- (72) Inventor: **William Harrington**, Charlestown, RI  
(US)
- (73) Assignee: **UNGER MARKETING**  
**INTERNATIONAL, LLC**, Bridgeport,  
CT (US)
- (\*\*) Term: **15 Years**
- (21) Appl. No.: **29/595,400**
- (22) Filed: **Feb. 28, 2017**

1,353,490 A	9/1920	Pantalek
1,452,893 A	4/1923	Porth
1,463,745 A	7/1923	Layne
1,500,132 A	7/1924	Hummelgard
1,603,914 A	10/1926	Hermann
1,584,021 A	5/1928	Melvin
1,864,011 A	6/1932	Brown
2,032,664 A	3/1936	Raptis

(Continued)

**FOREIGN PATENT DOCUMENTS**

DE	3520187	12/1986
GB	2085789	5/1982
WO	0006347	2/2000

**OTHER PUBLICATIONS**

Written Opinion of the International Searching Authority for PCT/  
US2015/068211 dated Feb. 26, 2016, 7 pages.

(Continued)

*Primary Examiner* — Philip S Hyder

(74) *Attorney, Agent, or Firm* — Ohlandt, Greeley,  
Ruggiero & Perle, L.L.P.

**Related U.S. Application Data**

- (62) Division of application No. 29/525,464, filed on Apr.  
29, 2015, now Pat. No. Des. 782,271.
- (51) **LOC (11) Cl.** ..... **08-06**
- (52) **U.S. Cl.**  
USPC ..... **D8/107**
- (58) **Field of Classification Search**  
USPC ..... D8/14, 51, 107, 300, 88, 89, 323, 70,  
D8/363; D32/40, 41, 42, 46, 48, 49, 50,  
D32/51  
CPC ... B25G 1/04; B25G 1/06; B25G 3/00; B25G  
3/38; B25G 1/063  
See application file for complete search history.

(57) **CLAIM**

The ornamental design for a tool handle, as shown and  
described.

**DESCRIPTION**

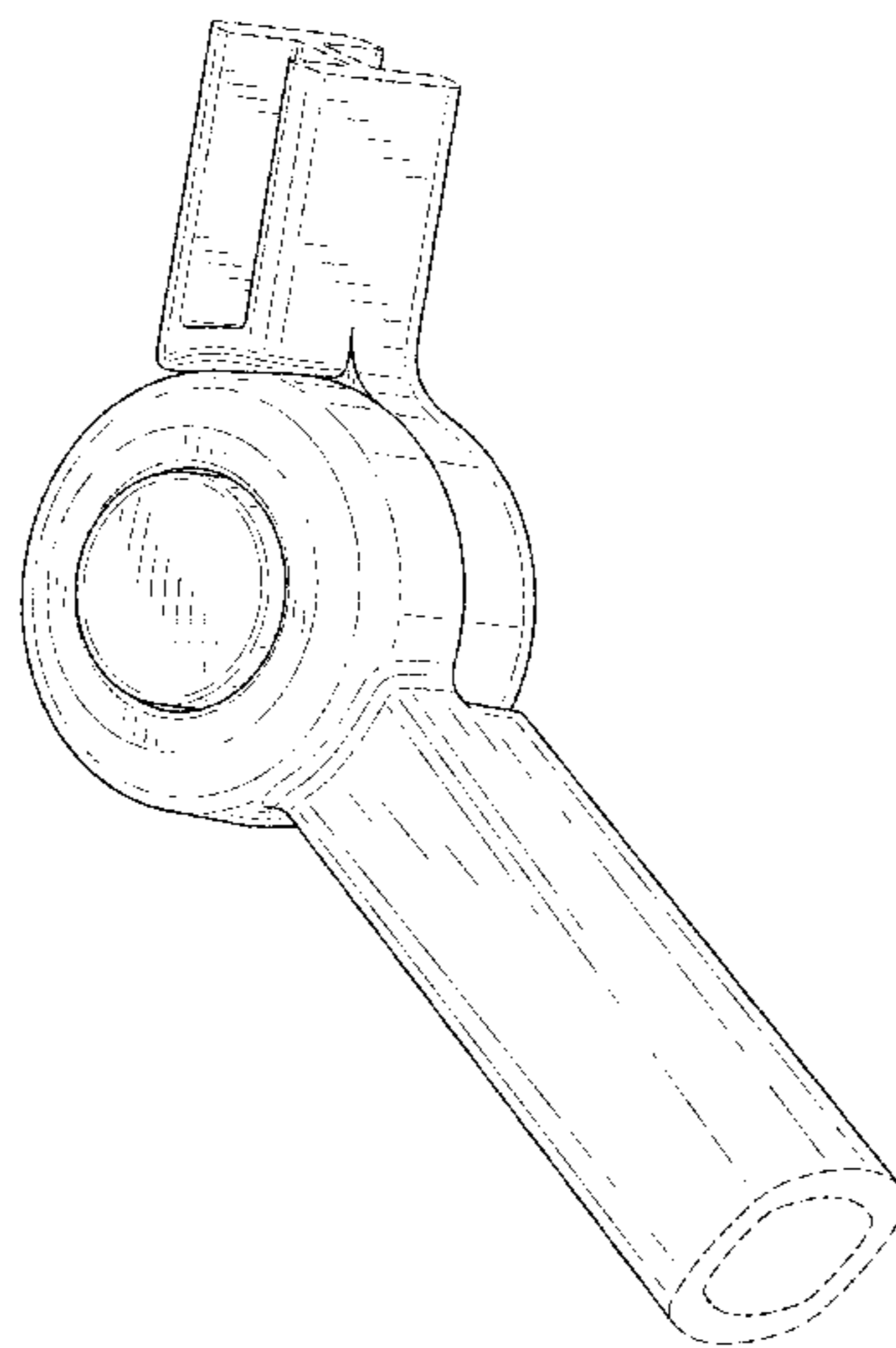
FIG. 1 is a front perspective view of a tool handle;  
FIG. 2 is a first side view of the tool handle of FIG. 1;  
FIG. 3 is a second, opposite view of the tool handle of FIG.  
1;  
FIG. 4 is a front view of the tool handle of FIG. 1;  
FIG. 5 is a back view of the tool handle of FIG. 1;  
FIG. 6 is a top view of the tool handle of FIGS. 1; and,  
FIG. 7 is a bottom view of the tool handle of FIG. 1.  
The broken lines depict the boundaries of the claimed  
design.

(56) **References Cited**

**U.S. PATENT DOCUMENTS**

656,468 A	8/1900	Mullin
693,518 A	2/1902	Hamilton
731,338 A	6/1903	Cattelle
736,741 A	8/1903	Klemm
952,746 A	3/1910	Lane
1,068,683 A	7/1913	Malek
1,315,901 A	9/1919	Ballinger

**1 Claim, 5 Drawing Sheets**



(56)

References Cited

U.S. PATENT DOCUMENTS

2,119,045 A	5/1938	Deitrich	RE34,979 E	6/1995	Gringer	
2,145,985 A	2/1939	Krajicek	5,426,855 A	6/1995	Keklak	
2,245,096 A	6/1941	Penney	5,433,004 A	7/1995	Thompson	
2,276,026 A	3/1942	Davidson	5,435,064 A	7/1995	Brookfield	
2,286,190 A	6/1942	Abrahamsen	5,445,981 A	8/1995	Lee	
2,336,284 A	12/1943	Nelson	D364,252 S	11/1995	Henke	
2,376,887 A	5/1945	Lewis	5,471,698 A	12/1995	Francis	
2,730,800 A	1/1956	Bailey	5,481,804 A	1/1996	Platts	
2,783,537 A	3/1957	Gringer	5,495,673 A	3/1996	Gardiner	
2,846,764 A	8/1958	Hyneman	5,528,832 A	6/1996	Schmidt	
2,862,296 A	12/1958	Anderson	5,528,834 A	6/1996	Seber	
2,948,961 A	8/1960	Ortner	5,545,175 A	8/1996	Abidin	
3,107,426 A	10/1963	Robinson	5,581,890 A	12/1996	Schmidt	
3,132,371 A	5/1964	Enos	5,581,893 A	12/1996	Oullette	
3,162,947 A	12/1964	Gringer	5,613,300 A	3/1997	Schmidt	
3,192,624 A	7/1965	Gringer	5,621,973 A	4/1997	Seber	
3,250,000 A	5/1966	Schumman	5,694,692 A	12/1997	Reinschreber	
3,577,637 A	5/1971	Braginetz	5,769,094 A	6/1998	Jenkins	
3,667,122 A	6/1972	Black	5,806,189 A	9/1998	Bailey	
3,688,401 A	9/1972	Hartman	5,813,121 A	9/1998	Gringer	
3,781,988 A	1/1974	Jones	5,852,874 A	12/1998	Walker	
3,879,847 A	4/1975	Roll	5,871,204 A *	2/1999	Spirer .....	B25C 11/00 254/26 R
3,892,039 A	7/1975	Fisher	5,878,501 A	4/1999	Owens	
3,906,627 A	9/1975	Manning	5,890,290 A	4/1999	Davis	
D240,370 S	7/1976	Kuehl	D411,429 S	6/1999	Gringer	
D240,699 S	7/1976	Gerson	5,911,761 A	6/1999	Tilley	
4,005,525 A	2/1977	Gringer	5,956,788 A	9/1999	Henke	
4,086,698 A	5/1978	Sparks	D420,882 S	2/2000	Majolo	
4,091,537 A	5/1978	Stevenson	6,018,836 A	2/2000	Williams	
4,103,421 A	8/1978	Quenot	6,026,575 A	2/2000	Wonderley	
4,115,892 A	9/1978	Stickler	6,035,536 A	3/2000	Dewberry	
4,139,939 A	2/1979	Crooks	6,044,562 A	4/2000	Dillenbeck	
4,200,977 A	5/1980	Kageyama	6,058,607 A	5/2000	Gringer	
4,242,795 A	1/1981	Rollband	6,155,620 A	12/2000	Armstrong	
D267,826 S	2/1983	Gringer	6,161,290 A	12/2000	Takamasa	
D274,952 S	7/1984	Gringer	6,178,640 B1	1/2001	Votolato	
D274,953 S	7/1984	Gringer	D437,764 S	2/2001	Zimmerman	
4,558,517 A	12/1985	Gringer	D439,128 S	3/2001	Wass	
D282,881 S	3/1986	Gringer	6,219,878 B1	4/2001	Dewberry	
4,574,417 A	3/1986	Magnasco	6,219,923 B1	4/2001	Sinisi	
4,587,735 A	5/1986	Walters	6,263,577 B1	7/2001	Wonderley	
4,621,425 A	11/1986	Stoutenberg	6,286,215 B1	9/2001	Panaccione	
4,660,284 A	4/1987	Decarolis	6,317,986 B1	11/2001	Huang	
4,805,304 A	2/1989	Knoop	D453,251 S	1/2002	Gringer	
4,817,284 A	4/1989	Sacherman	6,334,254 B1	1/2002	Wonderley	
4,835,865 A	6/1989	Knoop	6,349,473 B1	2/2002	Schmidt	
4,922,569 A	5/1990	Brinker	6,352,888 B1	3/2002	Kim	
D313,507 S	1/1991	Sawyer	6,354,007 B1	3/2002	Scarla	
4,987,682 A	1/1991	Minnick	6,415,514 B1	7/2002	Chun	
D314,696 S	2/1991	Lucrelli	6,438,849 B1	8/2002	Wonderley	
5,012,581 A	5/1991	Fletcher	D463,639 S	9/2002	Panfili	
5,022,156 A	6/1991	Kallens	6,453,559 B1	9/2002	Marshall	
5,025,558 A	6/1991	Gilbert	D467,395 S	12/2002	McCool	
5,031,322 A	7/1991	Jacoff	6,487,778 B1	12/2002	Gringer	
D319,147 S	8/1991	Eberle	D468,989 S	1/2003	Gringer	
D319,378 S	8/1991	Wilcox	6,519,801 B1	2/2003	Chao	
5,036,591 A	8/1991	Cousins	6,530,098 B1	3/2003	Gringer	
5,056,226 A	10/1991	Gringer	6,568,087 B1	5/2003	Gringer	
5,099,539 A	3/1992	Forester	6,578,229 B1	6/2003	Dziallas	
D326,546 S	5/1992	Gringer	6,578,266 B2	6/2003	Chomiak	
5,110,230 A	5/1992	Cole	D478,493 S	8/2003	Martone	
5,121,544 A	6/1992	Gilbert	D479,374 S	9/2003	Gringer	
5,141,517 A	8/1992	Shutt	D479,375 S	9/2003	Gringer	
5,164,871 A	11/1992	Hughes	D480,228 S	10/2003	Delillo	
5,175,902 A	1/1993	Samuelsson	6,643,936 B2	11/2003	Carlson	
D332,901 S	2/1993	Campbell	6,688,003 B2	2/2004	Scarla	
5,241,750 A	9/1993	Chomiak	D489,851 S	5/2004	Jones	
5,265,969 A	11/1993	Chuang	6,732,395 B2	5/2004	Gringer	
5,289,637 A	3/1994	Coffey	6,742,951 B2	6/2004	Schultz	
5,293,791 A	3/1994	Allen	6,748,659 B1	6/2004	Street	
D346,319 S	4/1994	Lavallee	D495,240 S *	8/2004	Mnich .....	D8/355
5,299,355 A	4/1994	Boda	6,832,438 B1	12/2004	Gringer	
5,330,494 A	7/1994	van der Westhuizen	6,907,668 B2	6/2005	Polei	
5,386,632 A	2/1995	Shmidt	6,915,577 B2	7/2005	Scala	
5,400,509 A	3/1995	Collins	6,931,690 B2	8/2005	Cox	
			6,964,100 B1	11/2005	Misland	
			6,968,622 B2	11/2005	Ping	
			6,990,705 B1	1/2006	Schouten	

(56)

References Cited

U.S. PATENT DOCUMENTS

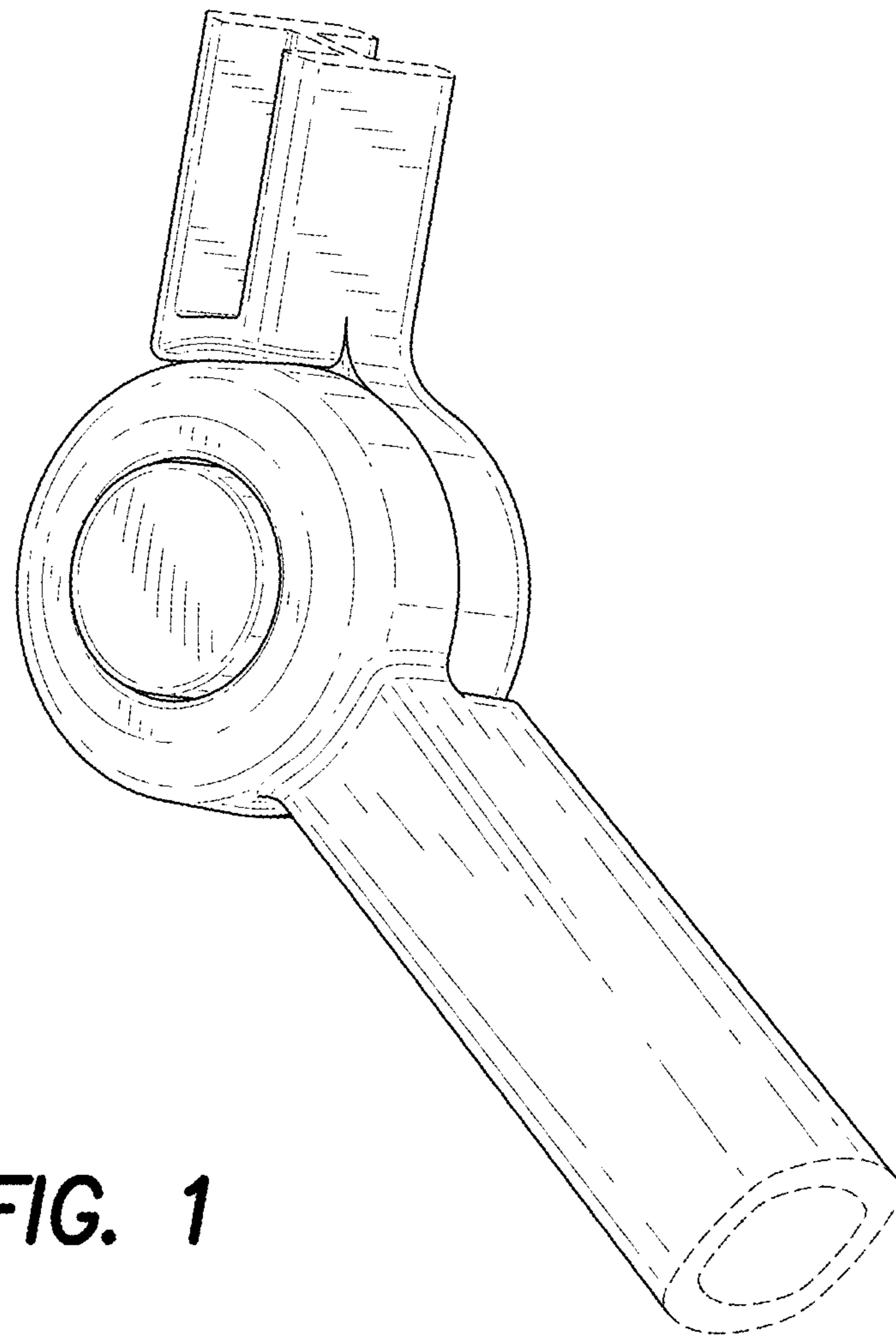
D516,263 S 2/2006 Gringer  
 7,000,282 B2 2/2006 Cox  
 7,007,392 B2 3/2006 Ping  
 7,032,941 B2 4/2006 Heneveld  
 7,040,022 B2 5/2006 Ping  
 7,055,204 B2 6/2006 Ajluni  
 7,055,407 B2 6/2006 Gringer  
 D531,003 S 10/2006 Collinds  
 7,134,207 B2 11/2006 Ping  
 7,155,770 B2 1/2007 Anderson  
 D537,591 S 2/2007 Gringer  
 D549,543 S 8/2007 Tsai  
 7,293,317 B2 11/2007 Tsuchiya  
 7,325,313 B2 2/2008 Gringer  
 D564,161 S 3/2008 Talesfore  
 7,346,988 B2 3/2008 Gringer  
 7,350,998 B2 4/2008 Walsh  
 7,380,341 B2 6/2008 Ping  
 7,413,366 B2 8/2008 Bensussan  
 7,415,769 B2 8/2008 Hughes  
 D584,871 S 1/2009 Arvinte  
 7,475,480 B2 1/2009 Votolato  
 7,480,997 B2 1/2009 Ping  
 7,600,287 B1 10/2009 Moore  
 7,617,559 B2 11/2009 Jiang  
 D605,911 S 12/2009 Lian  
 D606,375 S 12/2009 Divita  
 D611,802 S \* 3/2010 Li ..... D8/363  
 7,694,422 B2 4/2010 Vaes  
 D622,114 S 8/2010 Balliet  
 7,797,835 B2 9/2010 Zeng  
 7,802,340 B2 9/2010 Knopow  
 7,814,664 B2 10/2010 LeBlanc  
 7,891,898 B2 2/2011 Hoadley  
 D634,599 S \* 3/2011 Good ..... D8/89  
 D634,600 S 3/2011 Gringer  
 7,913,349 B2 3/2011 Byrnes  
 8,046,922 B2 11/2011 Eby  
 8,171,646 B2 5/2012 Chiu  
 8,214,964 B1 7/2012 Coleman  
 8,356,415 B2 1/2013 Lin

8,438,688 B2 5/2013 Weinberger  
 8,495,784 B2 7/2013 Steinhardt  
 8,544,146 B2 10/2013 Curien  
 8,550,437 B2\* 10/2013 Liou ..... B25F 1/00  
 254/115  
 2002/0078518 A1 6/2002 Jiang  
 2002/0124412 A1 9/2002 Votolato  
 2002/0124418 A1 9/2002 Votolato  
 2003/0110570 A1 6/2003 Gringer  
 2003/0110641 A1 6/2003 Gringer  
 2004/0045167 A1 3/2004 Gringer  
 2004/0142647 A1 7/2004 Goulet  
 2005/0097753 A1 5/2005 Gringer  
 2005/0097756 A1 5/2005 Gringer  
 2005/0193568 A1 9/2005 Peyrot  
 2006/0080843 A1 4/2006 Gringer  
 2006/0162106 A1 7/2006 Ross  
 2006/0260084 A1 11/2006 Guizzi  
 2007/0169353 A1 7/2007 Wu  
 2008/0052856 A1 3/2008 Lin  
 2008/0083118 A1 4/2008 Steigerwalt  
 2008/0163493 A1 7/2008 Votolato  
 2008/0289190 A1 11/2008 Jennings  
 2009/0199409 A1 8/2009 Zeng  
 2009/0313836 A1 12/2009 Wei  
 2010/0162509 A1 7/2010 Liao  
 2010/0162573 A1 7/2010 Liao  
 2010/0263214 A1 10/2010 Robinson  
 2010/0314593 A1\* 12/2010 Fan ..... B25G 3/38  
 254/25  
 2011/0114118 A1 5/2011 Gracindo  
 2011/0167647 A1 7/2011 Gringer  
 2013/0174364 A1 7/2013 Cheng  
 2013/0175486 A1\* 7/2013 Stawarski ..... B25G 1/06  
 254/129  
 2013/0185943 A1 7/2013 Landwehr  
 2013/0239345 A1 9/2013 Giustetto

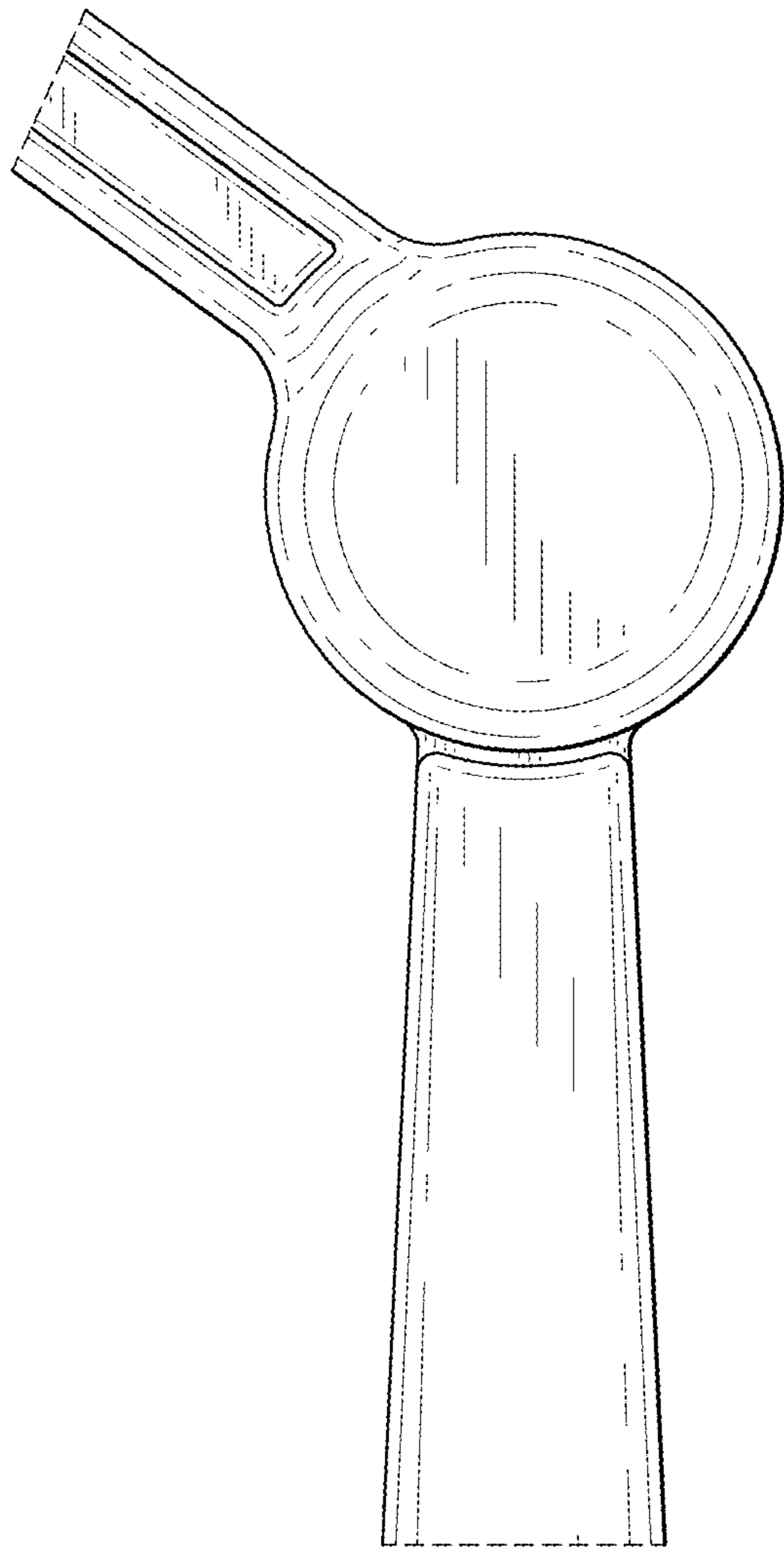
OTHER PUBLICATIONS

International Search Report of the International Searching Authority  
 for PCT/US2015/068211 dated Feb. 26, 2016 2 pages.

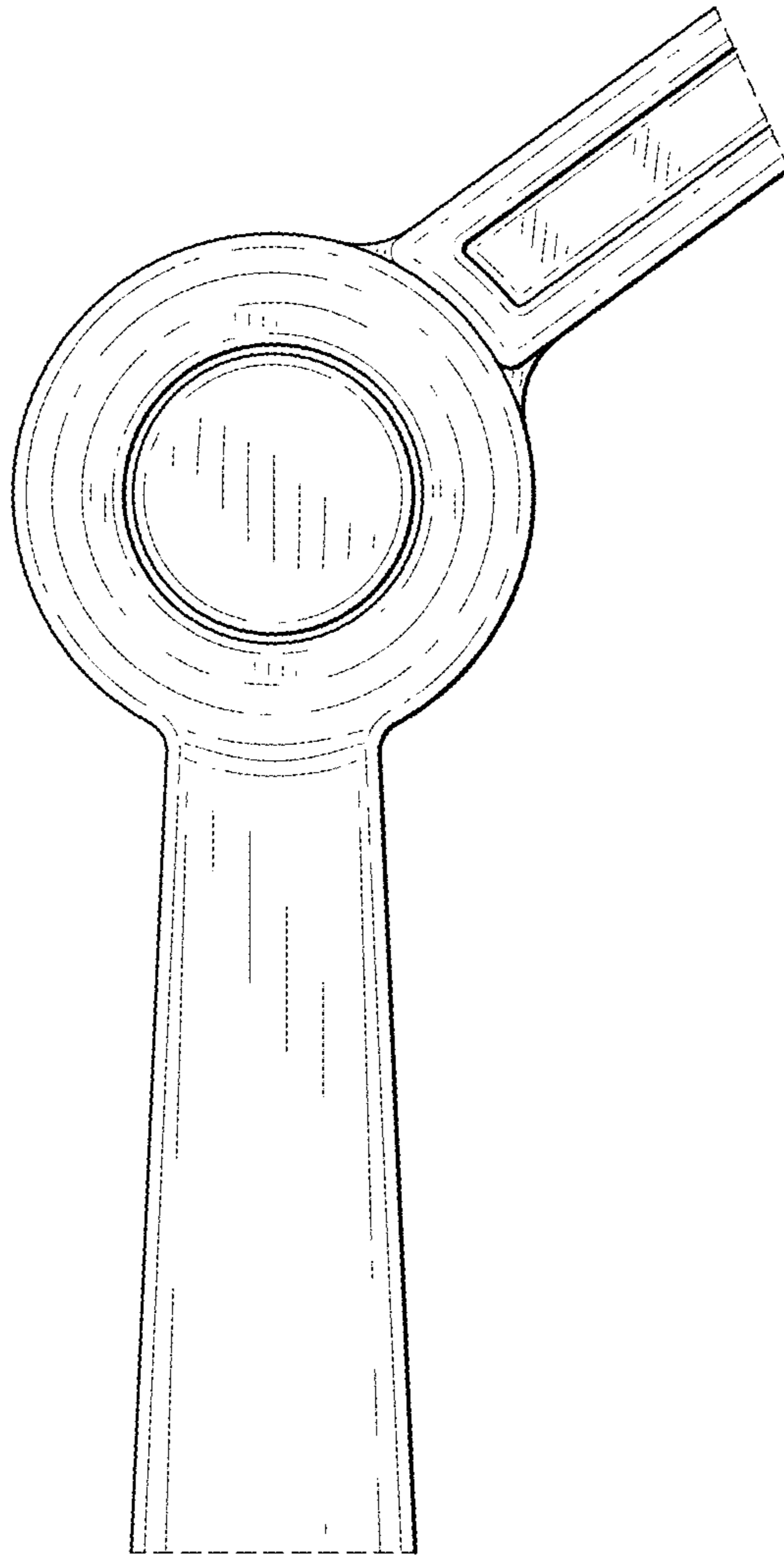
\* cited by examiner



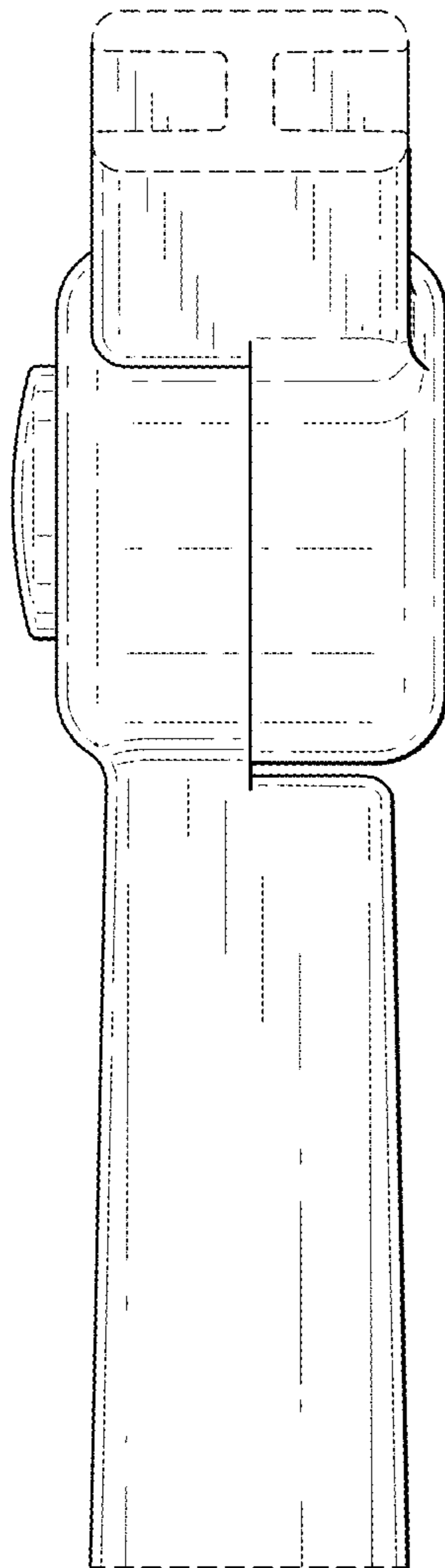
**FIG. 1**



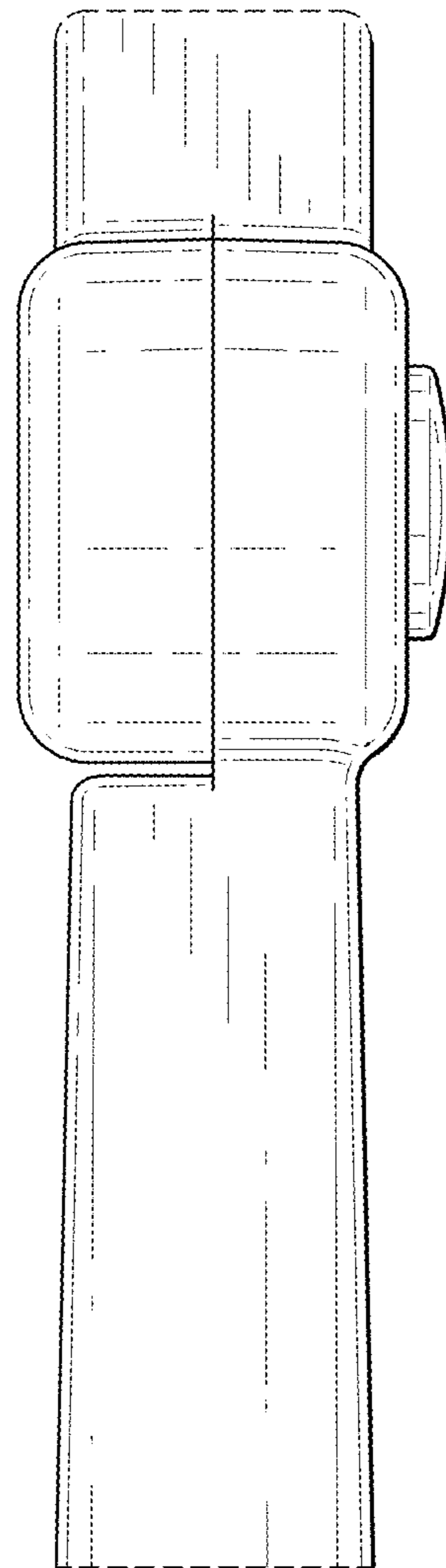
**FIG. 2**



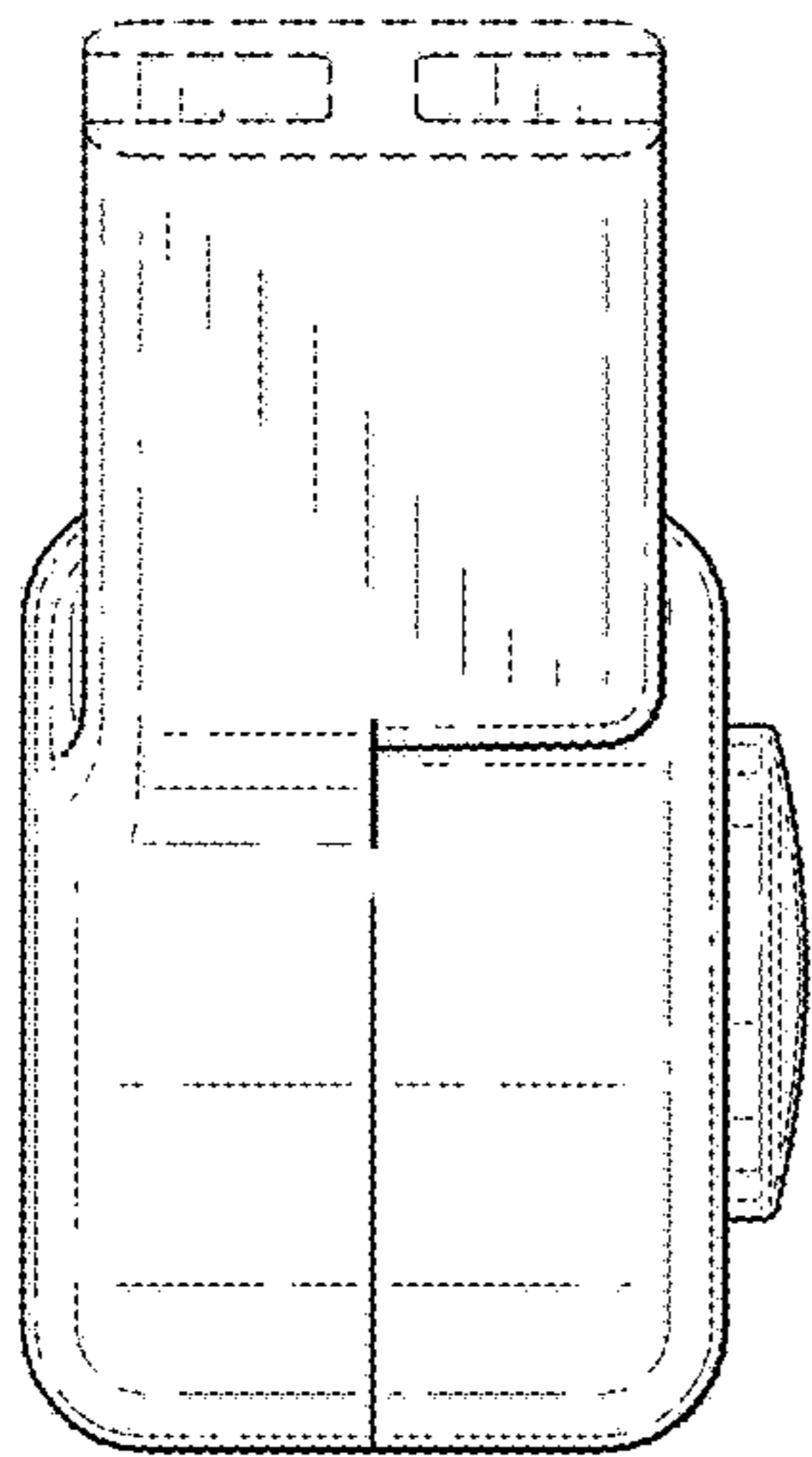
**FIG. 3**



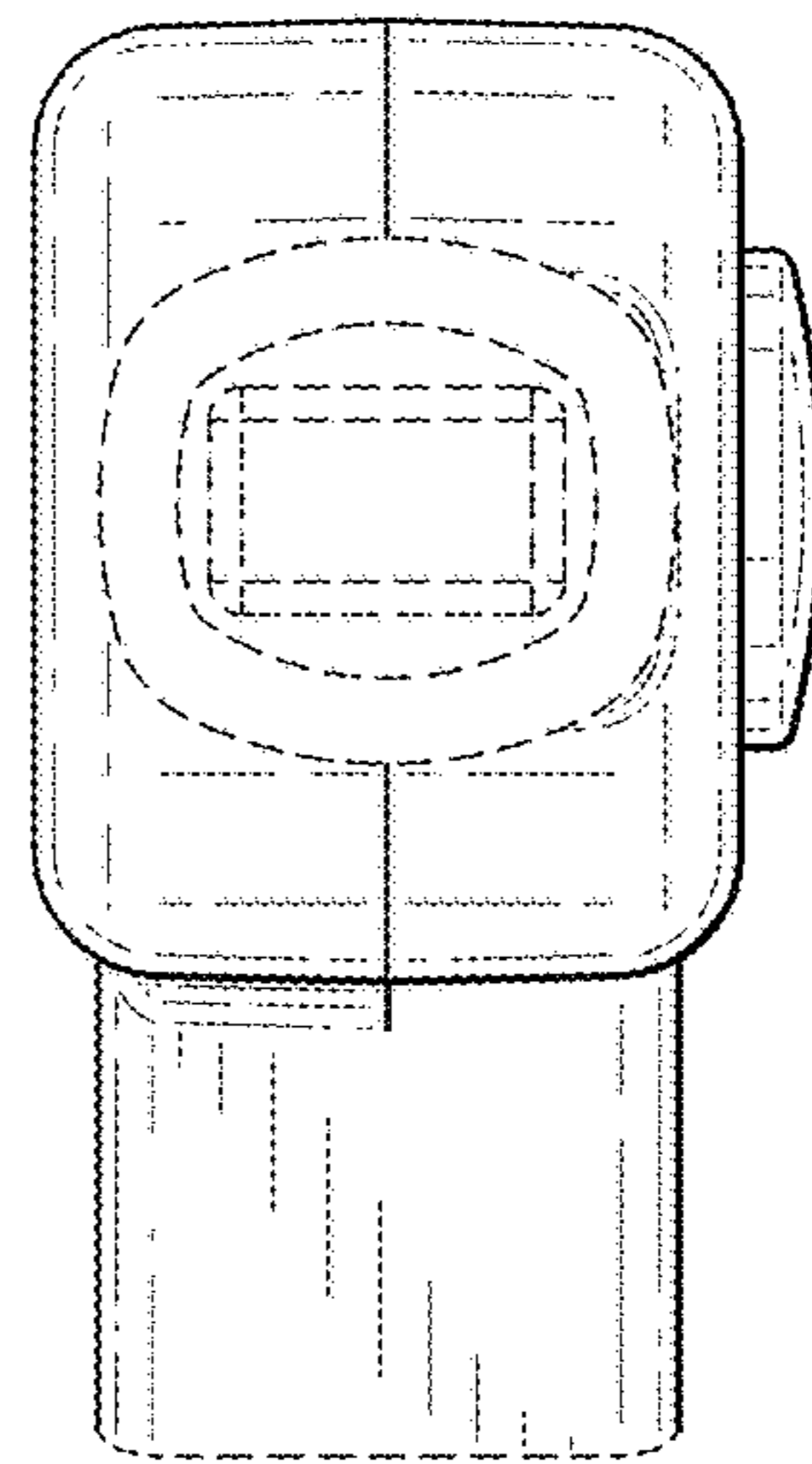
**FIG. 4**



**FIG. 5**



**FIG. 6**



**FIG. 7**