



US00D829525S

(12) **United States Design Patent** (10) **Patent No.:** **US D829,525 S**
Wong (45) **Date of Patent:** **** Oct. 2, 2018**

(54) **FOLDING SKINNING KNIFE**
(71) Applicant: **Kingston Wong**, Beech Park, IL (US)
(72) Inventor: **Kingston Wong**, Beech Park, IL (US)
(73) Assignee: **Klein Tools, Inc.**, Lincolnshire, IL (US)
(**) Term: **15 Years**
(21) Appl. No.: **29/568,340**
(22) Filed: **Jun. 16, 2016**
(51) **LOC (11) Cl.** **08-03**
(52) **U.S. Cl.**
USPC **D8/99**
(58) **Field of Classification Search**
USPC D8/98, 99, 100, 105, 107; D22/118
CPC B26B 5/001; B26B 5/003; B26B 11/00;
B26B 1/08; B26B 1/02; B26B 1/10;
B26B 1/04; B26B 1/046; B26B 1/048;
B26B 1/042
See application file for complete search history.

8,938,883 B2 * 1/2015 Gringer B26B 1/048
30/155
D732,367 S * 6/2015 Parker D8/99
D769,692 S * 10/2016 Squiers D8/99
* cited by examiner

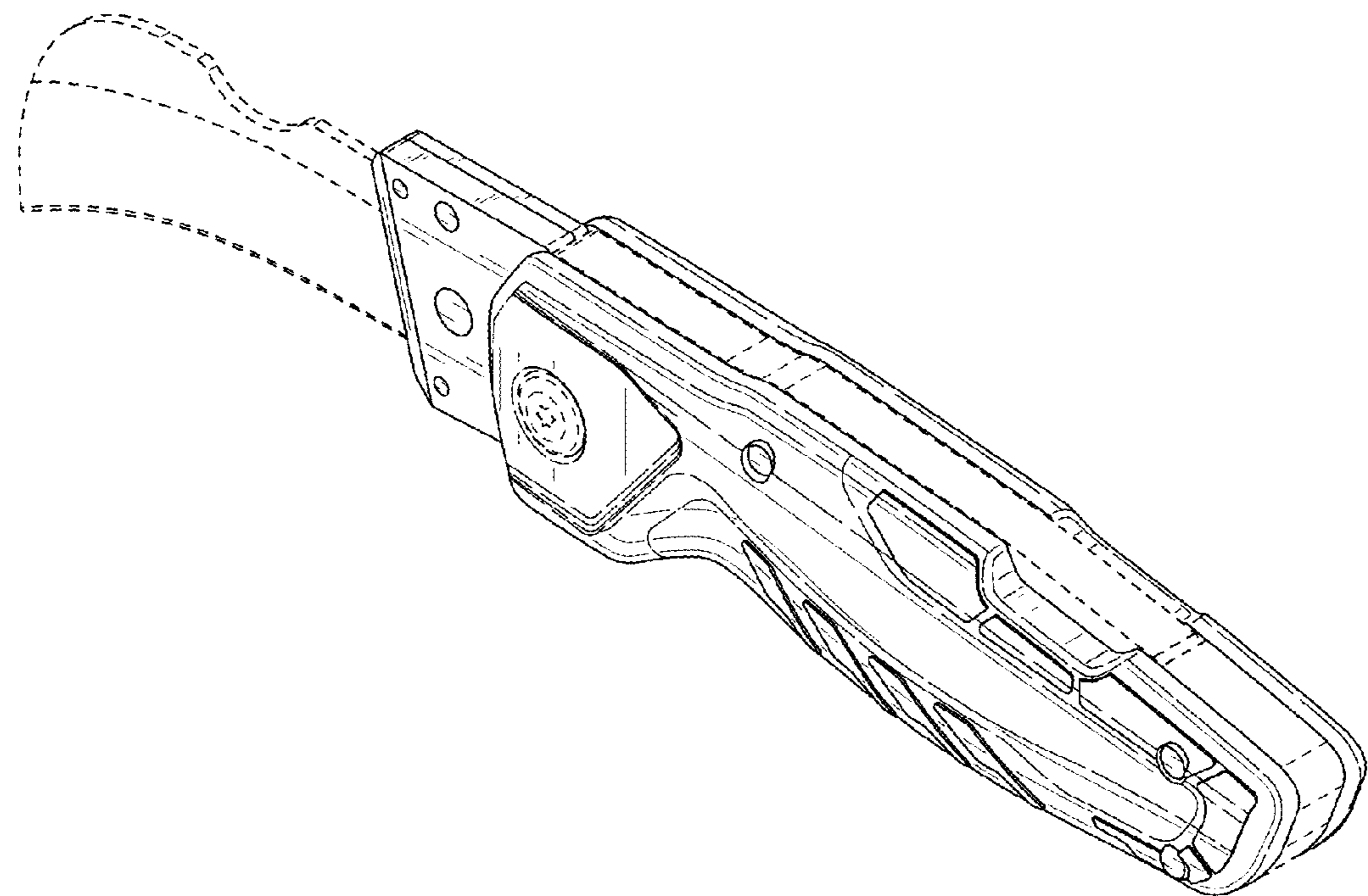
Primary Examiner — Philip S Hyder
(74) *Attorney, Agent, or Firm* — Leydig, Voit & Mayer, Ltd.

(57) **CLAIM**
The ornamental design for a folding skinning knife, as shown and described.

DESCRIPTION
FIG. 1 is a top right front side perspective view of a folding skinning knife having the inventive design;
FIG. 2 is a bottom left front side perspective view of the folding skinning knife shown in FIG. 1;
FIG. 3 is a front side orthogonal view of the folding skinning knife shown in FIG. 1;
FIG. 4 is a rear side orthogonal view of the folding skinning knife shown in FIG. 1;
FIG. 5 is a bottom side orthogonal view of the folding skinning knife shown in FIG. 1;
FIG. 6 is a left side orthogonal view of the folding skinning knife shown in FIG. 1;
FIG. 7 is a right side orthogonal view of the folding skinning knife shown in FIG. 1; and,
FIG. 8 is a top side orthogonal view of the folding skinning knife shown in FIG. 1.
The broken lines shown in the drawings illustrate portions of the folding skinning knife that forms no part of claimed design.

(56) **References Cited**
U.S. PATENT DOCUMENTS
D560,998 S * 2/2008 Farland D8/99
D568,137 S * 5/2008 Hernandez, Jr. D8/99
D578,858 S * 10/2008 Ping D8/99
D579,299 S * 10/2008 Ping D8/99
D583,643 S * 12/2008 Ping D8/99
D591,135 S * 4/2009 Wu D8/99
D610,892 S * 3/2010 Garcia D8/99
D654,343 S * 2/2012 Wu D8/99
D691,018 S * 10/2013 Robinson D8/99
D699,090 S * 2/2014 Kalajyan D8/99

1 Claim, 3 Drawing Sheets



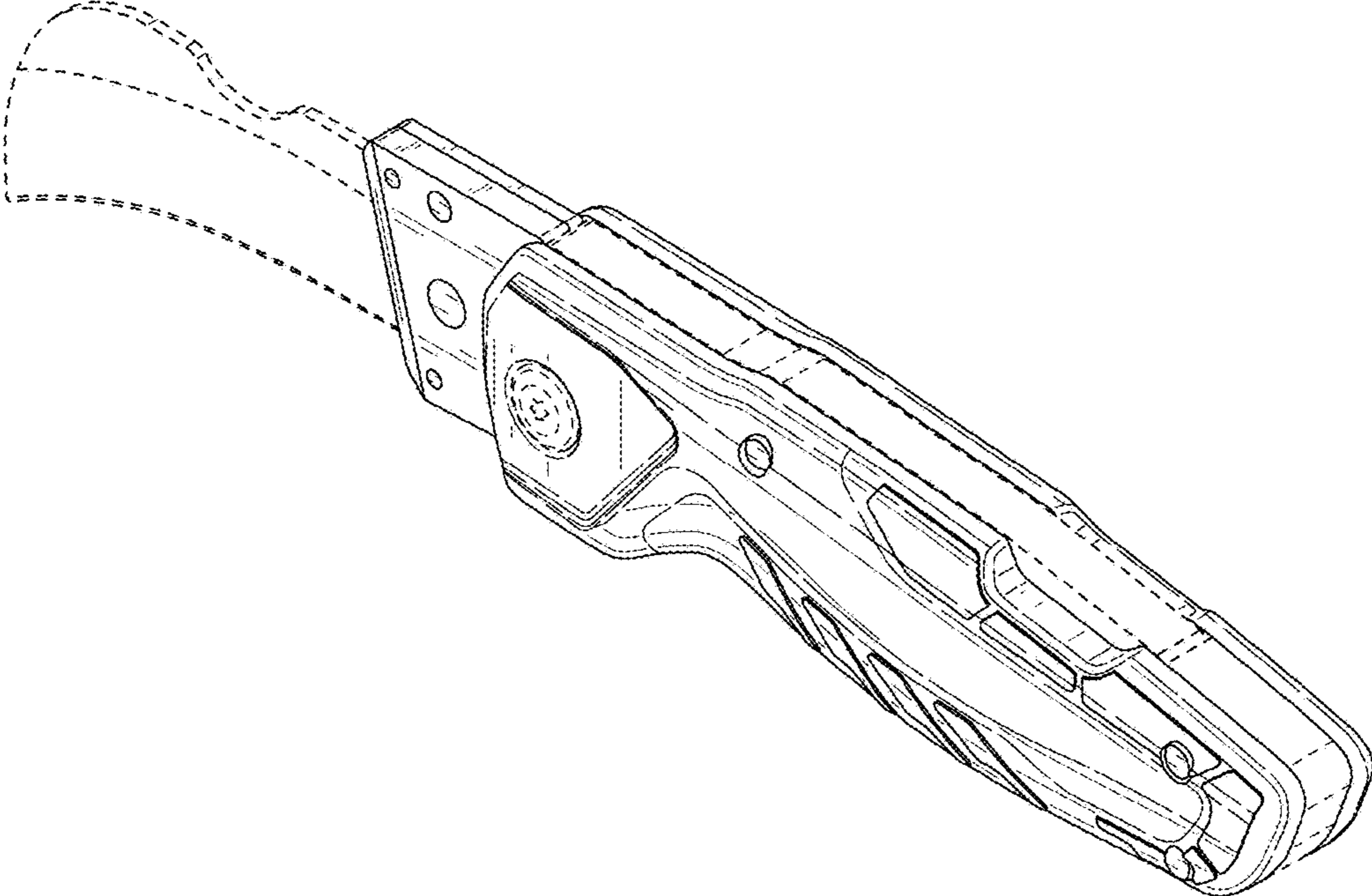


FIG. 1

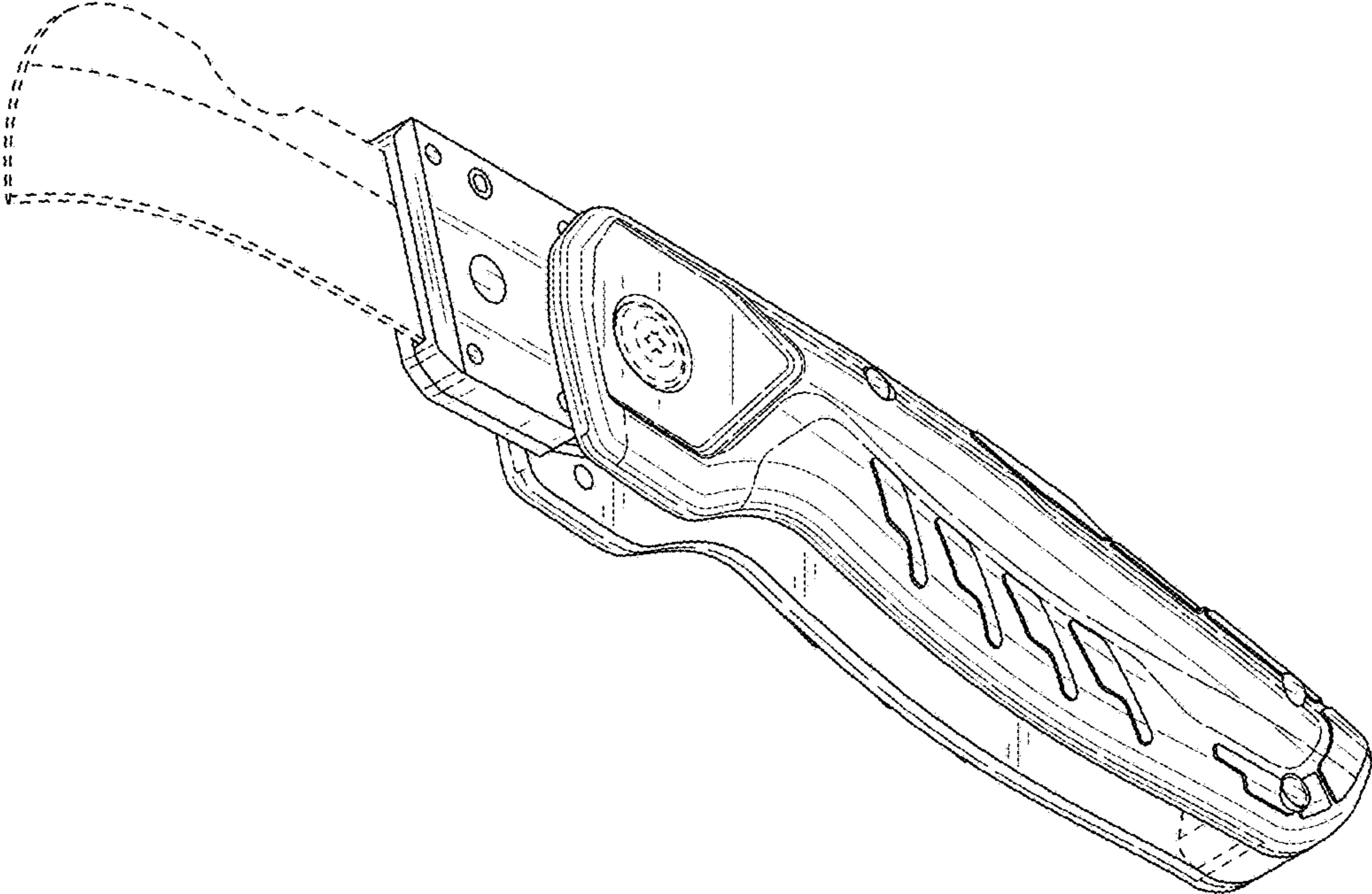


FIG. 2

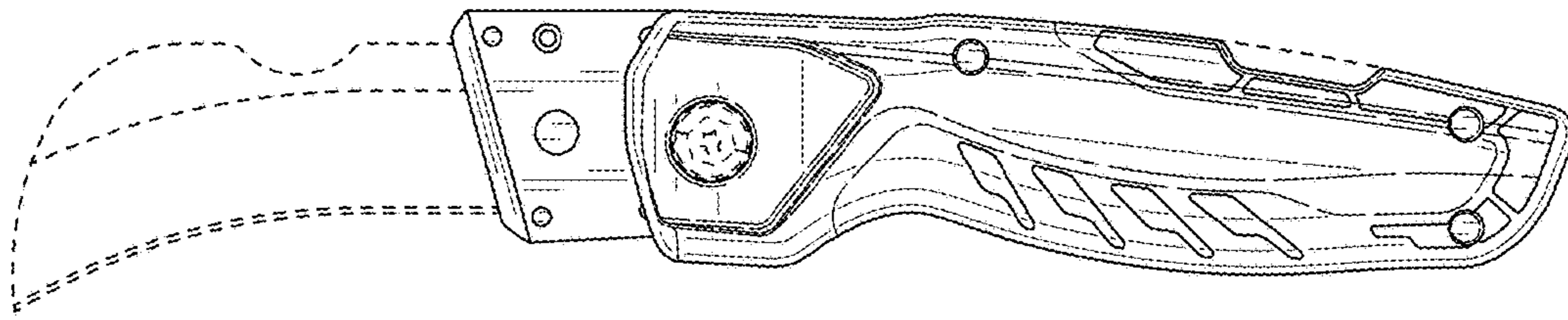


FIG. 3

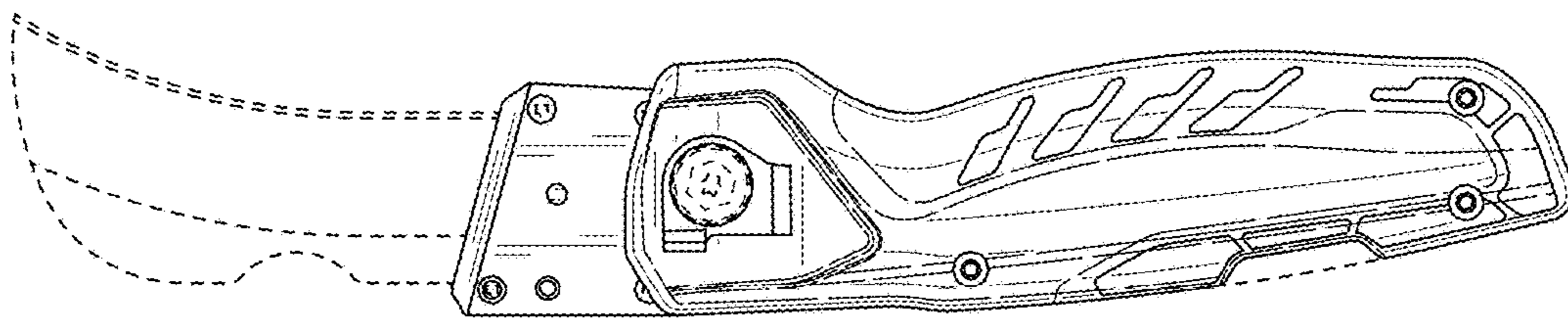


FIG. 4

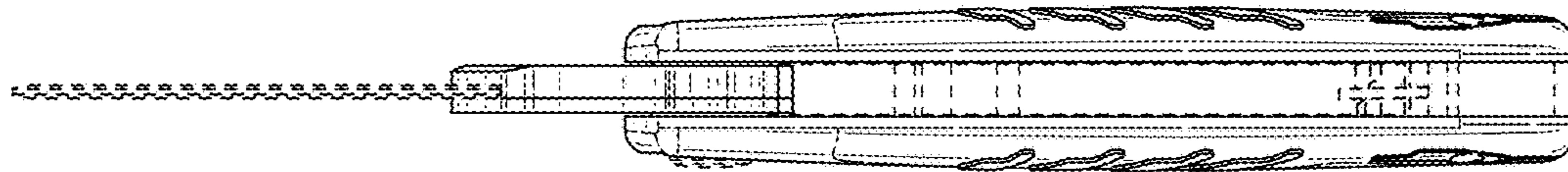


FIG. 5

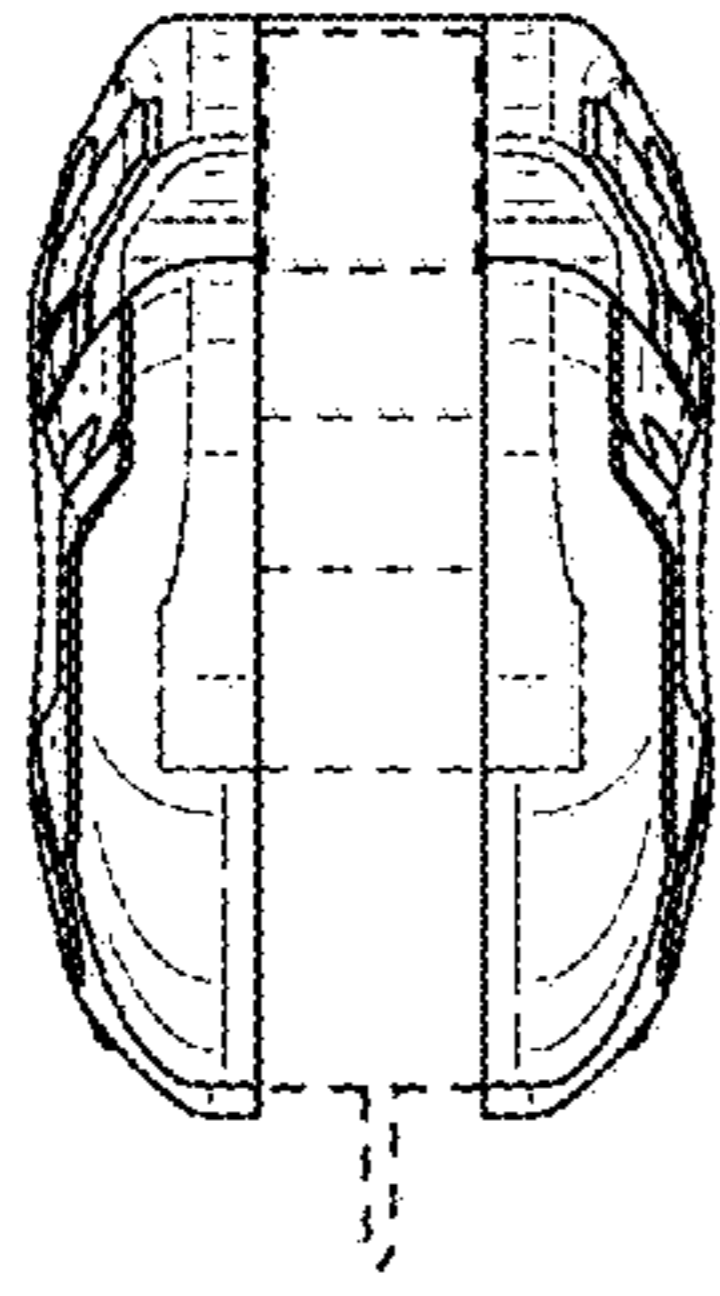


FIG. 6

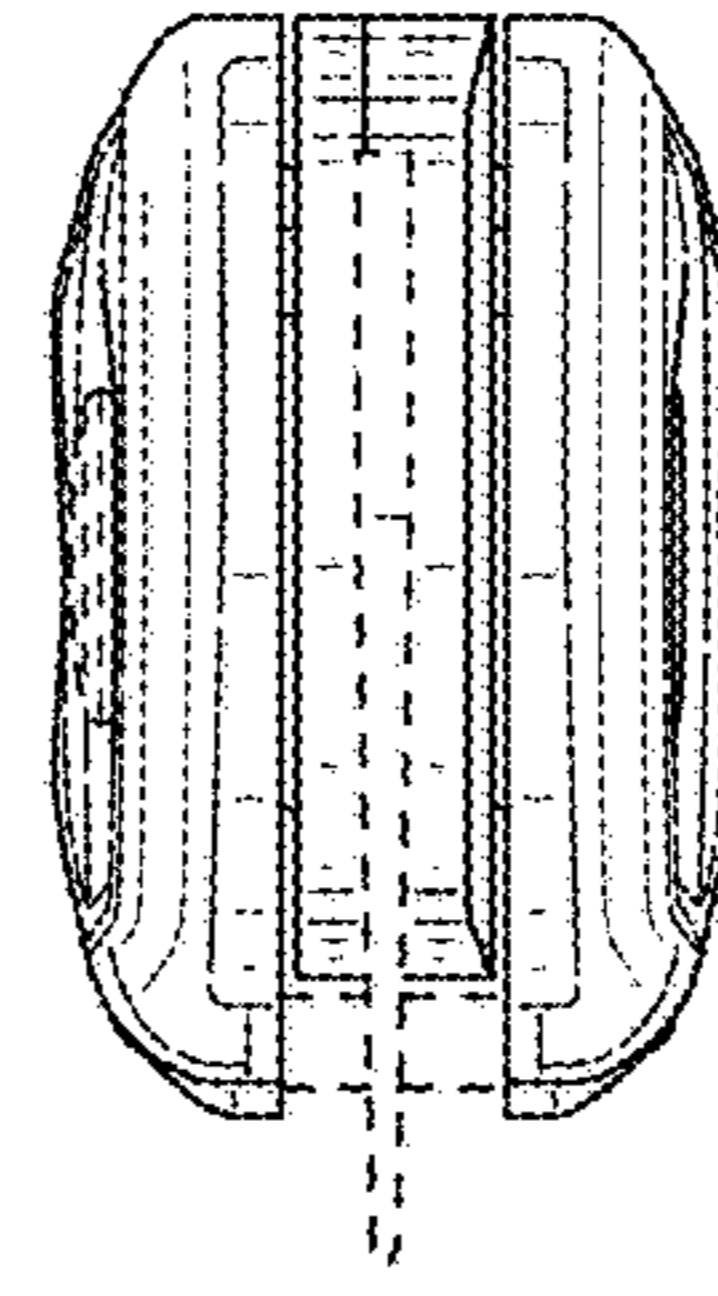


FIG. 7

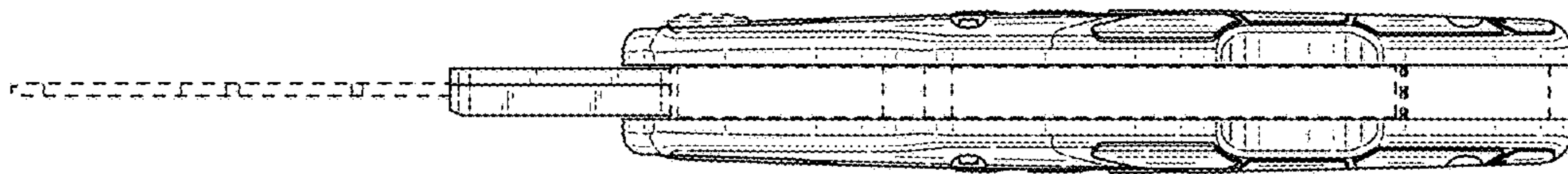


FIG. 8