



US00D829523S

(12) **United States Design Patent**
Kosugi et al.

(10) **Patent No.:** **US D829,523 S**

(45) **Date of Patent:** **** Oct. 2, 2018**

(54) **PORTABLE ELECTRIC POWER CIRCULAR SAW**

(71) Applicant: **Hitachi Koki Co., Ltd.**, Minato-Ku, Tokyo (JP)

(72) Inventors: **Shingo Kosugi**, Hitachinaka (JP);
Masanori Okada, Hitachinaka (JP);
Yoshitaka Idei, Hitachinaka (JP)

(73) Assignee: **Hitachi Koki Co., Ltd.**, Minato-Ku, Tokyo (JP)

(**) Term: **15 Years**

(21) Appl. No.: **29/615,455**

(22) Filed: **Aug. 29, 2017**

(30) **Foreign Application Priority Data**

Apr. 14, 2017 (JP) 2017-008081

(51) **LOC (11) Cl.** **08-03**

(52) **U.S. Cl.**
USPC **D8/66**

(58) **Field of Classification Search**
USPC D8/69, 68, 67, 66, 64, 61, 70; 83/698.41,
83/747, 166.3, 374, 373, 375, 376, 391,
83/377, 390, 388, 389; 125/13.01;
144/218
CPC B27B 9/00; B27B 9/02; B27B 5/02; B27B
5/18; B27B 33/08; B28D 1/04; B28D
1/045; B23D 45/00
See application file for complete search history.

(56) **References Cited**

U.S. PATENT DOCUMENTS

D573,432 S * 7/2008 Gavins D8/66
D578,853 S * 10/2008 Gallagher D8/66

7,526,866 B2 * 5/2009 Schnell B23D 59/006
144/252.1
D632,940 S * 2/2011 Yamamoto D8/66
D638,681 S * 5/2011 Yamada D8/66
D653,513 S * 2/2012 Tirone D8/66
D654,340 S * 2/2012 Kawase D8/66
D699,088 S * 2/2014 Abe D8/66
D703,508 S * 4/2014 Kawase D8/66
D705,629 S * 5/2014 Schoch D8/66
D713,702 S * 9/2014 Perez D8/66
D756,738 S * 5/2016 Itoh D8/66
D790,304 S * 6/2017 Waldron D8/66
D790,305 S * 6/2017 Waldron D8/66
D790,306 S * 6/2017 Waldron D8/66
D814,899 S * 4/2018 Suzuki D8/66

* cited by examiner

Primary Examiner — Austin Murphy

(74) *Attorney, Agent, or Firm* — Banner & Witcoff, Ltd.

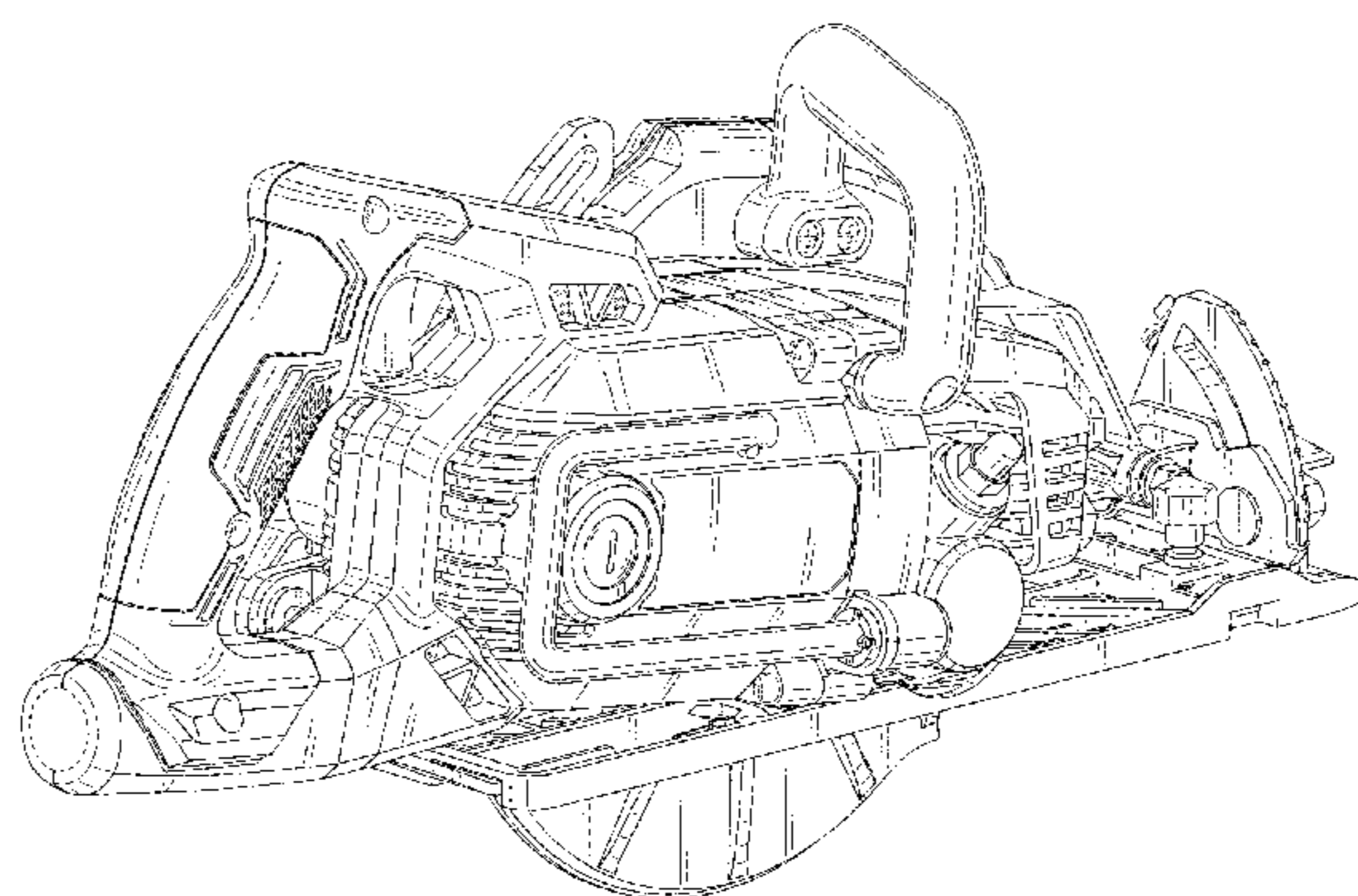
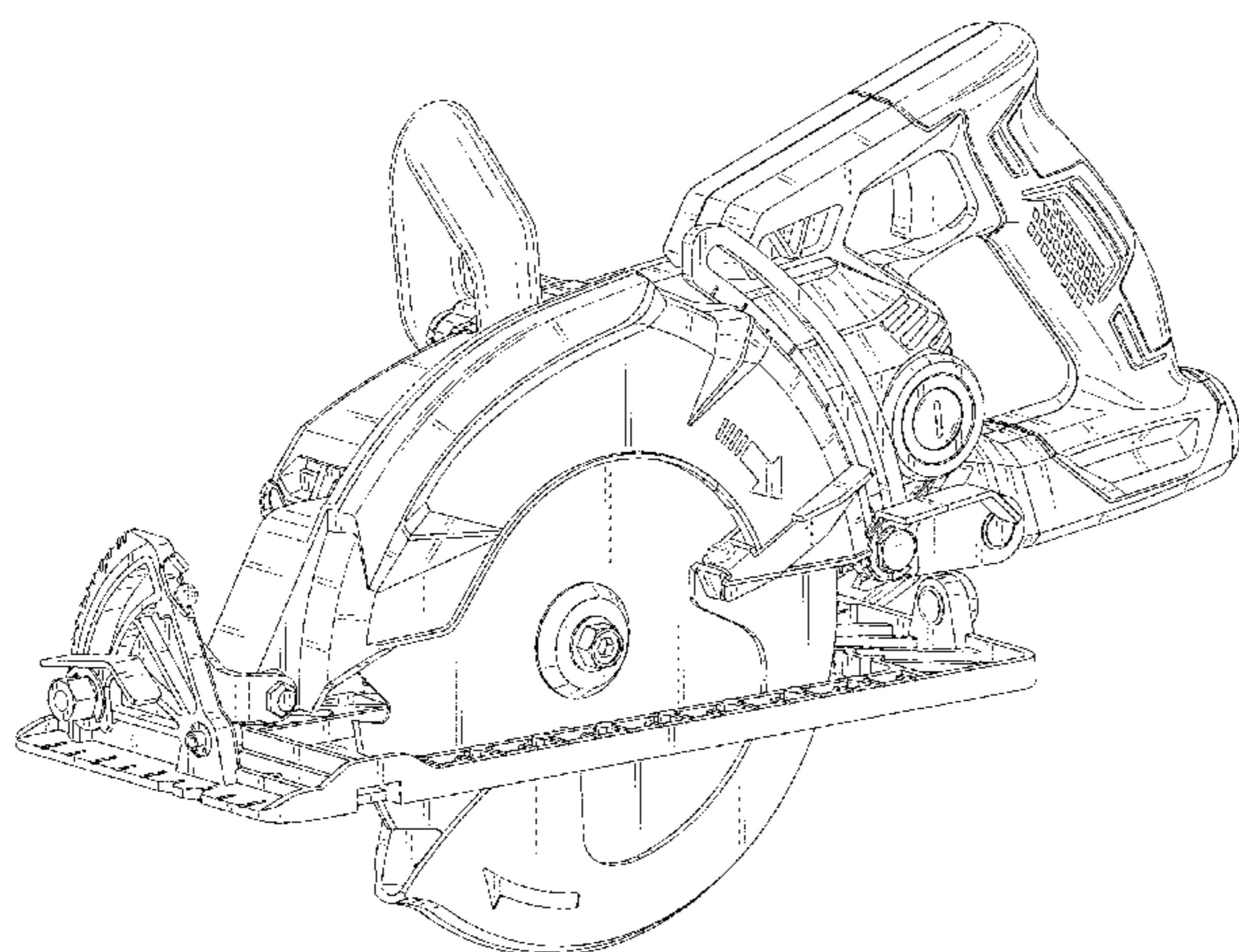
(57) **CLAIM**

The ornamental design for a portable electric power circular saw, as shown and described.

DESCRIPTION

FIG. 1 is a front, left, upper perspective view of a portable electric power circular saw showing our new design; FIG. 2 is a rear, right, upper perspective view thereof. FIG. 3 is a front view thereof. FIG. 4 is a rear side view thereof; FIG. 5 is a left side view thereof; FIG. 6 is a right side view thereof; FIG. 7 is a top plan view thereof; and, FIG. 8 is a bottom side view thereof. The broken lines represent the unclaimed portions of the portable electric power circular saw and form no part of the claimed design.

1 Claim, 7 Drawing Sheets



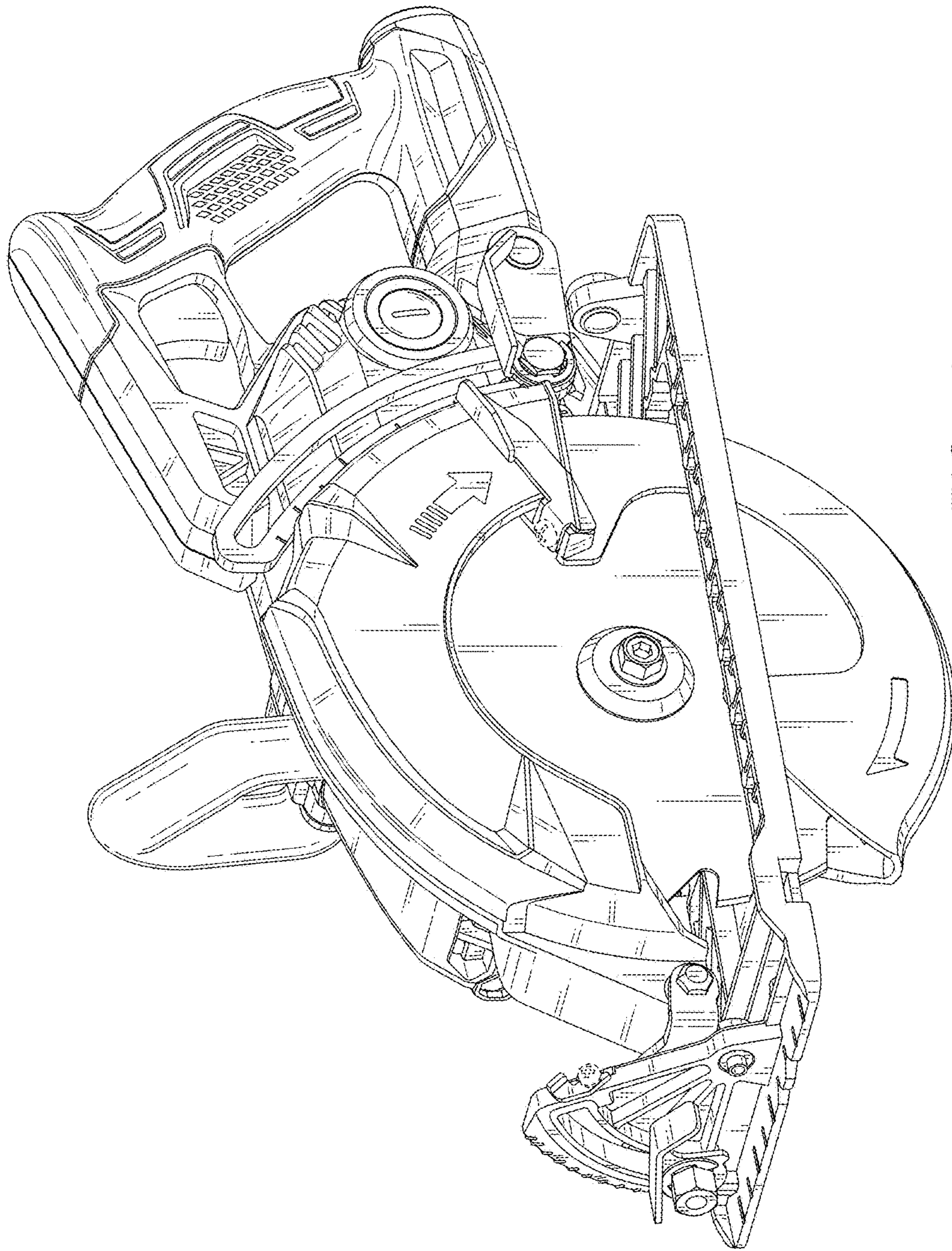


FIG. 1

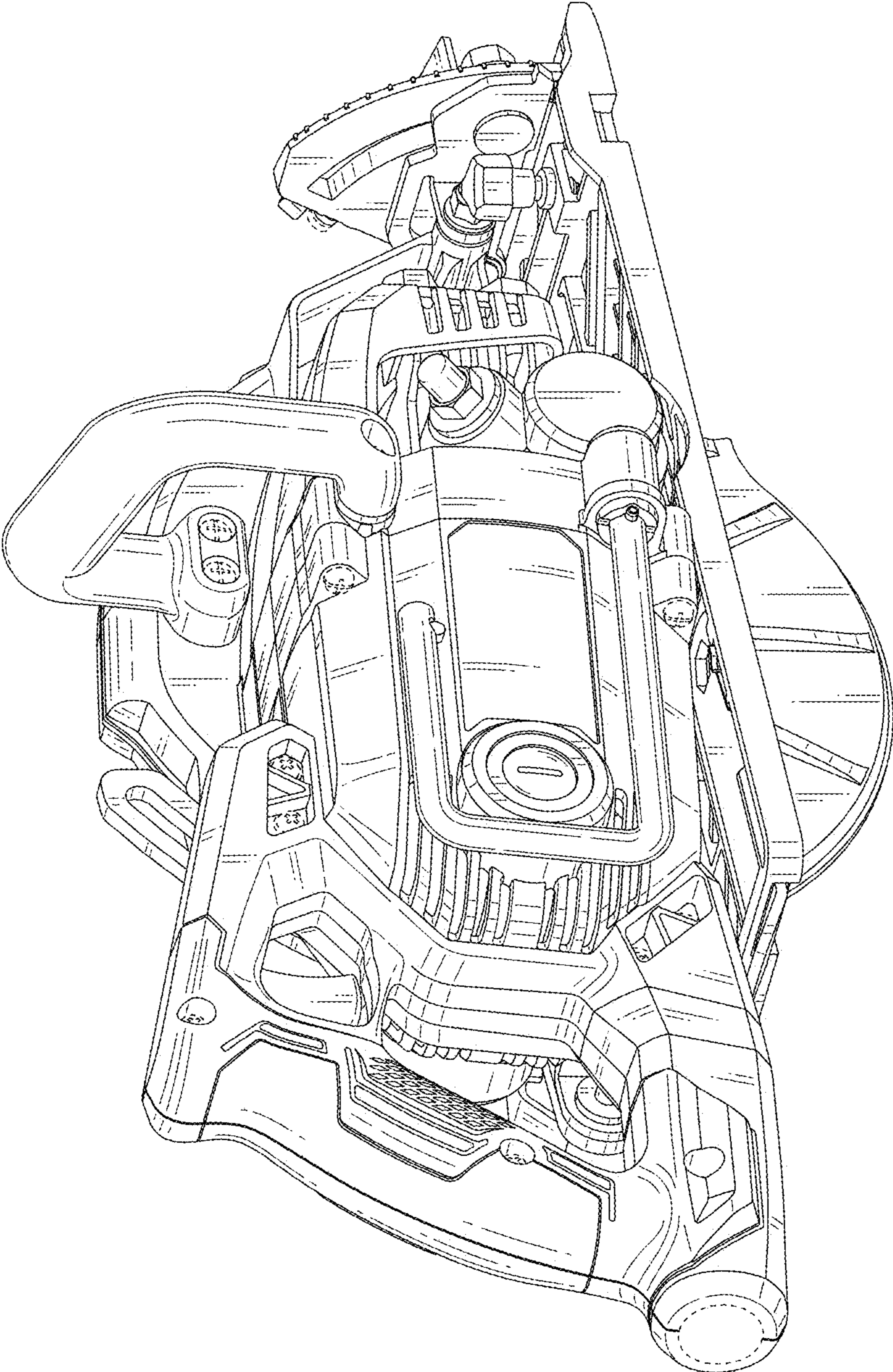


FIG. 2

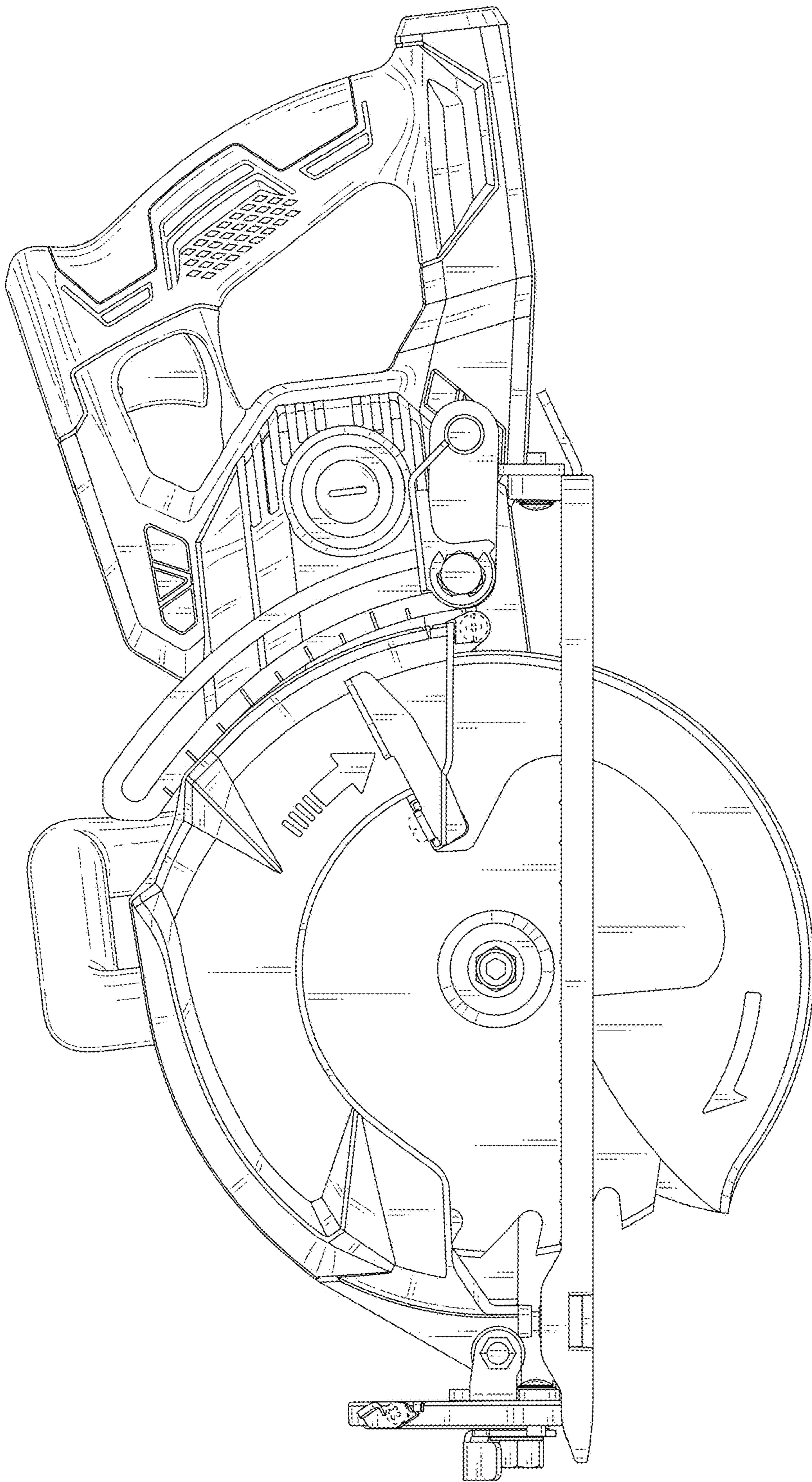


FIG. 3

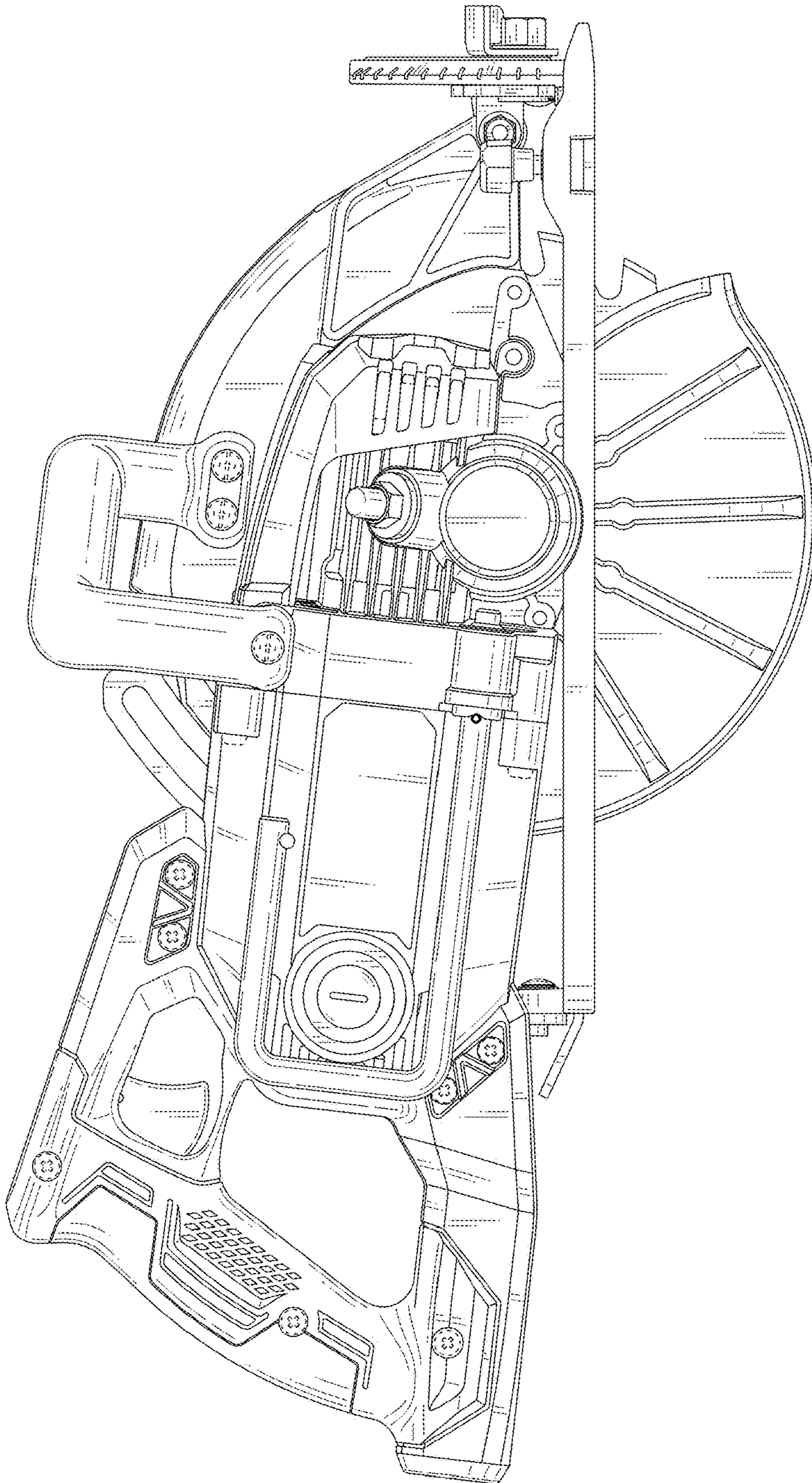


FIG. 4

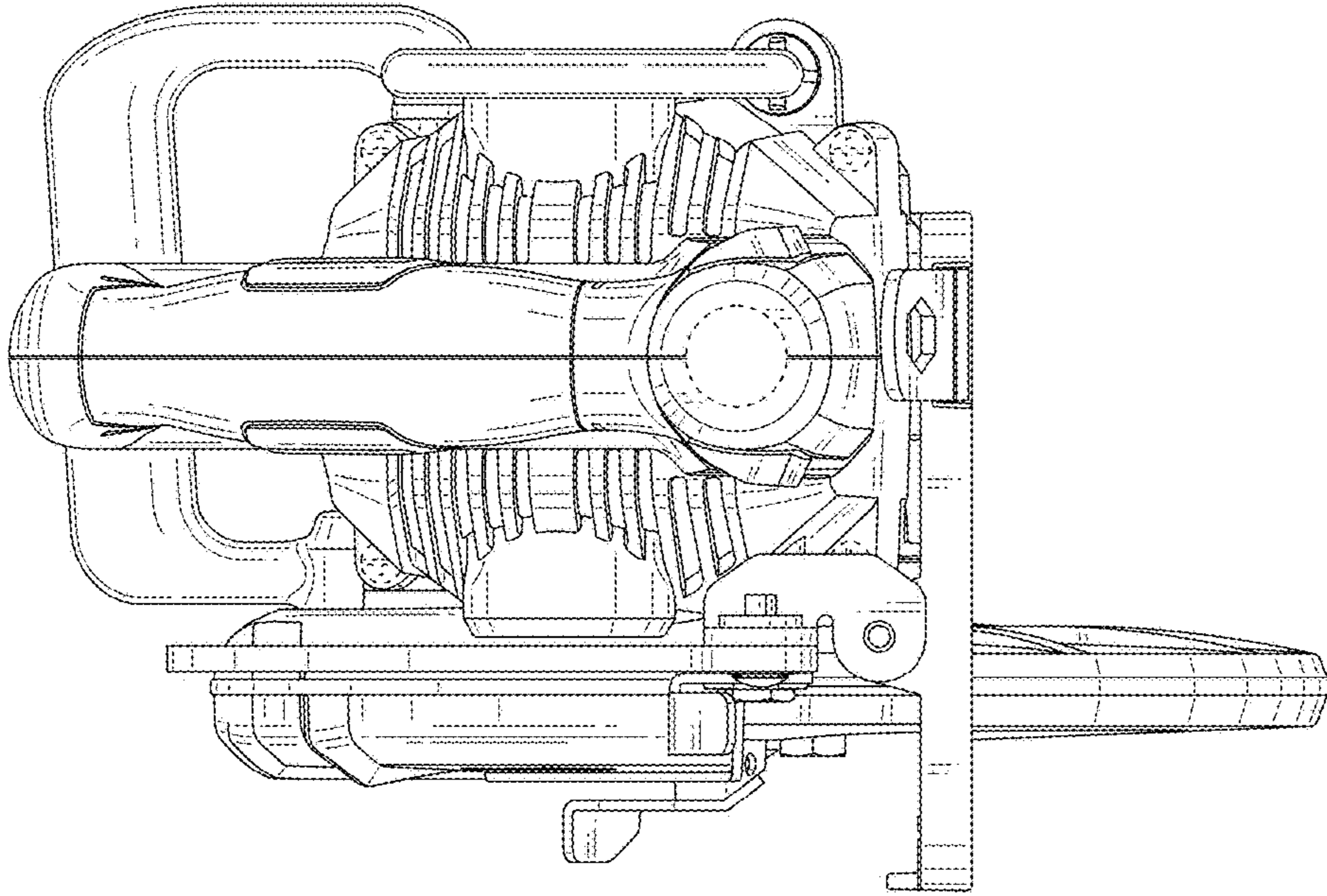


FIG. 6

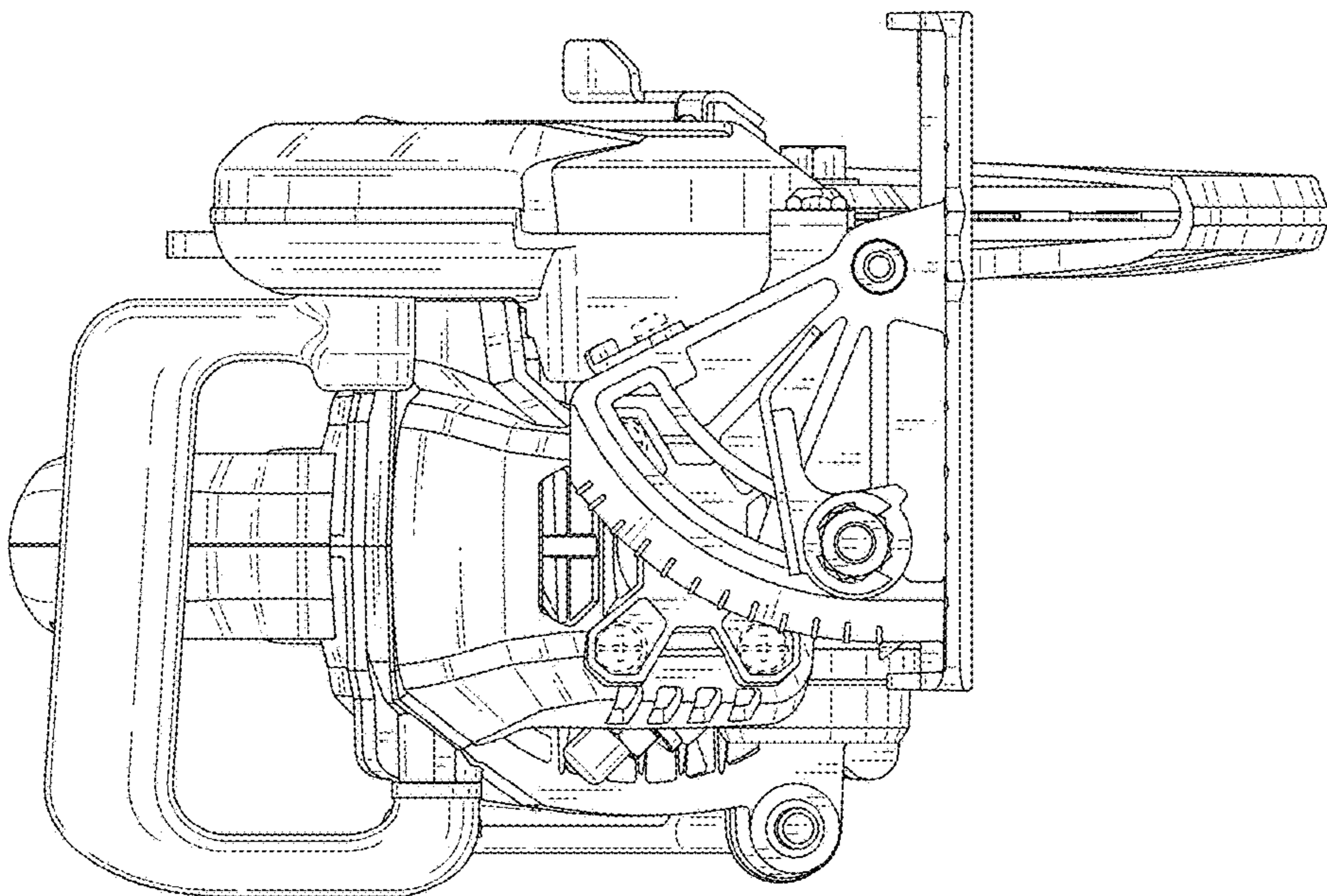


FIG. 5

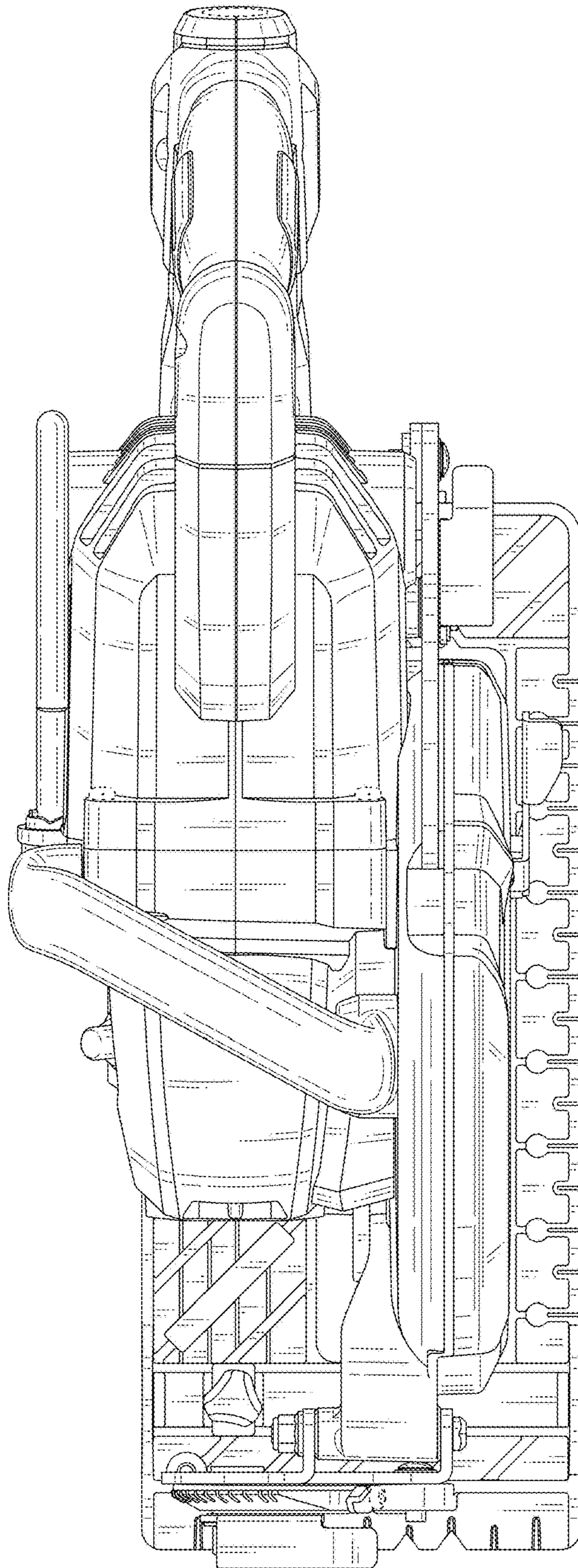


FIG. 7

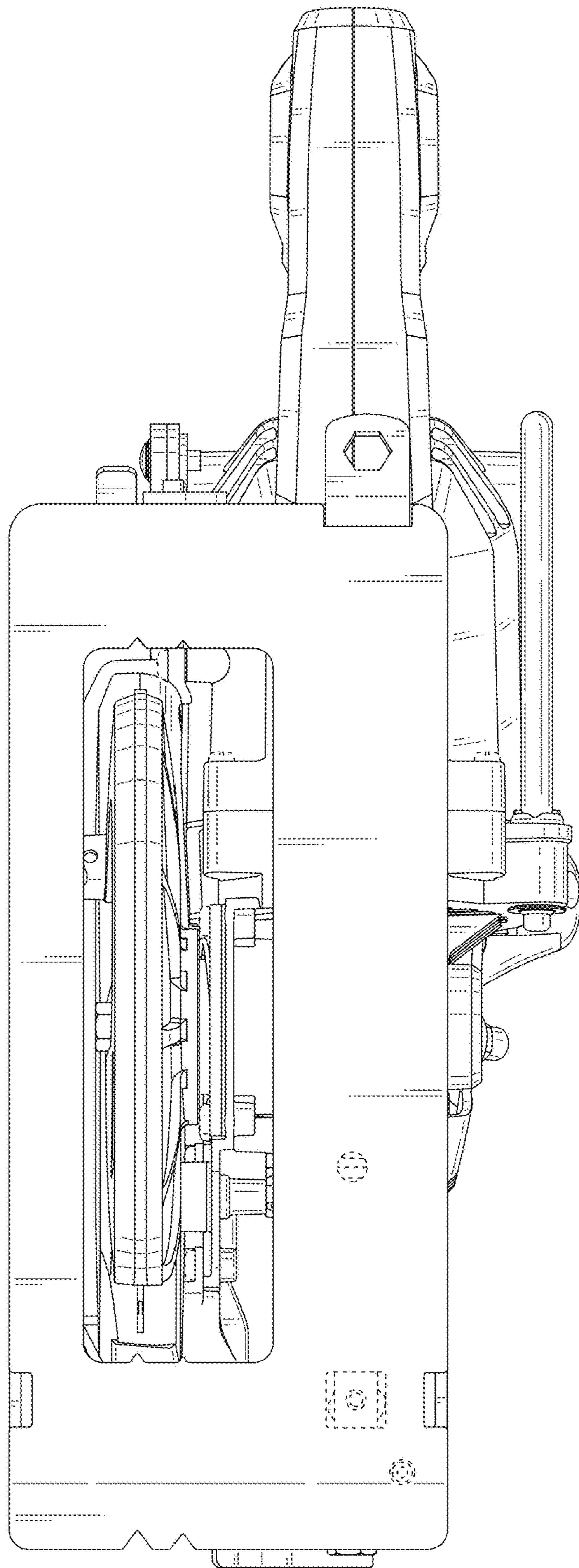


FIG. 8