



US00D829519S

(12) **United States Design Patent**
Teraoka et al.

(10) **Patent No.:** **US D829,519 S**
(45) **Date of Patent:** **** Oct. 2, 2018**

(54) **HEAT GUN**
(71) Applicant: **Hakko Corporation**, Osaka (JP)
(72) Inventors: **Yoshitomo Teraoka**, Osaka (JP); **Hisao Nemoto**, Osaka (JP); **Kenta Nakamura**, Osaka (JP)

8,627,579 B2 * 1/2014 Rotondi F24H 3/0423
34/104
D742,708 S * 11/2015 Howell D8/29.1
D746,653 S * 1/2016 Furling D8/29.1
2013/0230816 A1 * 9/2013 Chen F24H 3/02
432/222

(73) Assignee: **HAKKO CORPORATION**, Osaka (JP)

FOREIGN PATENT DOCUMENTS
CN 3604292 1/2007

(**) Term: **15 Years**

* cited by examiner

(21) Appl. No.: **29/587,547**

Primary Examiner — Philip S Hyder
(74) *Attorney, Agent, or Firm* — Squire Patton Boggs (US) LLP

(22) Filed: **Dec. 14, 2016**

(30) **Foreign Application Priority Data**

(57) **CLAIM**

Aug. 25, 2016 (JP) 2016-018052

The ornamental design for a heat gun, as shown and described.

(51) **LOC (11) Cl.** **08-05**

(52) **U.S. Cl.**
USPC **D8/29.1**

(58) **Field of Classification Search**
USPC D8/29.1, 29.2, 30, 69, 107; D28/133; D15/144
CPC F24H 3/00; F24H 3/02; F24H 3/0423; F16M 13/00
See application file for complete search history.

DESCRIPTION

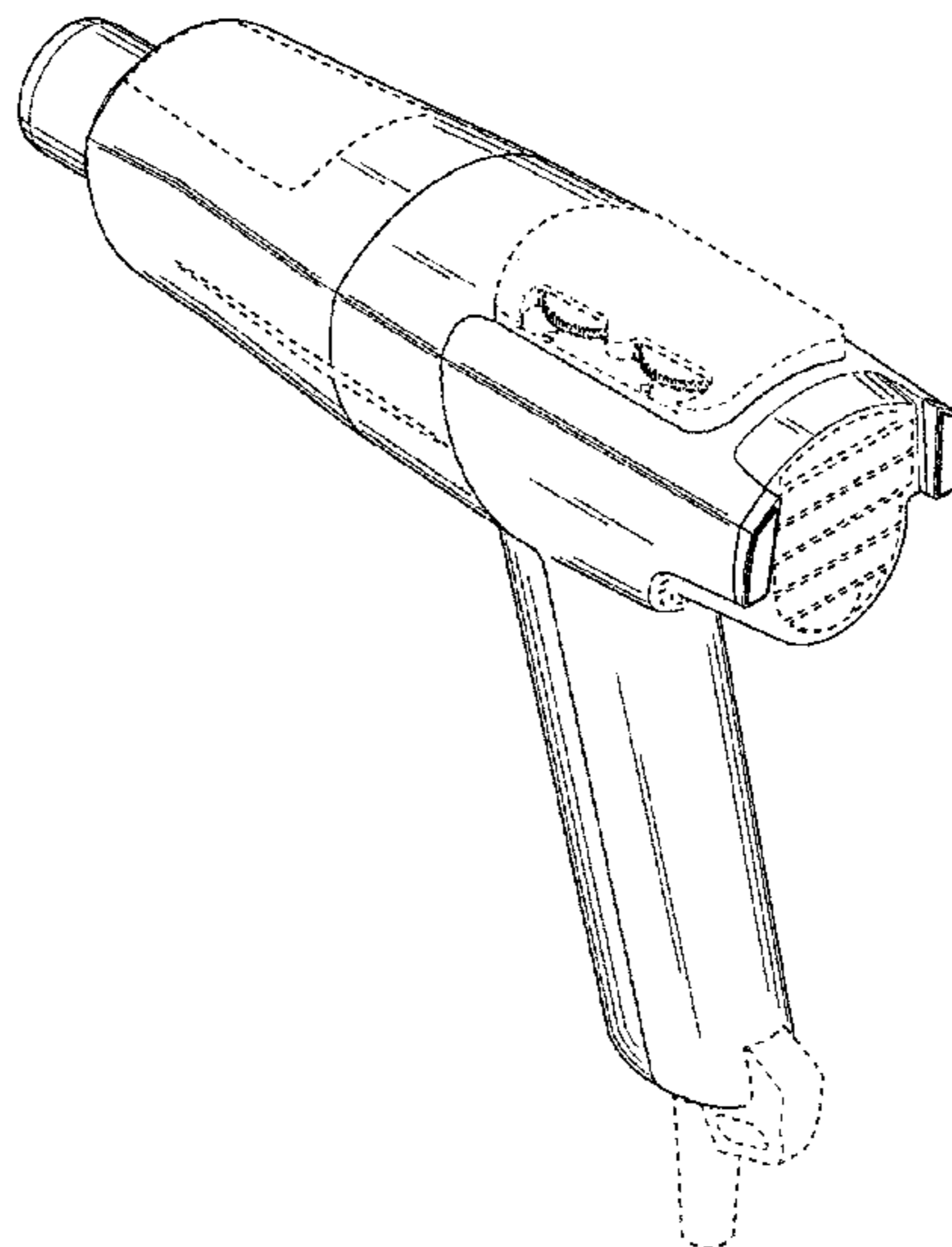
(56) **References Cited**

U.S. PATENT DOCUMENTS

D280,338 S * 8/1985 Skarsten D28/13
D288,841 S * 3/1987 Steinel D23/332
D388,297 S * 12/1997 Buttenbender D8/29.1
D481,277 S * 10/2003 Waldron D8/29.1
D516,883 S * 3/2006 Popov D8/29.1
D617,618 S * 6/2010 Steinel D28/13
D641,220 S * 7/2011 Shi D8/29.1
D664,820 S * 8/2012 Furling D8/29.1

FIG. 1 is a first perspective view of a heat gun;
FIG. 2 is a second perspective view thereof;
FIG. 3 is a front view thereof;
FIG. 4 is a rear view thereof;
FIG. 5 is a left side view thereof;
FIG. 6 is a right side view thereof;
FIG. 7 is a top view thereof;
FIG. 8 is a bottom view thereof;
FIG. 9 is a cross-sectional view taken along line 9-9 in FIG. 5 thereof, in which the internal mechanism is omitted; and, FIG. 10 is an enlarged view of part 9 thereof.
The broken lines depict portions of the heat gun in which the design is embodied that are not considered part of the claimed design.

1 Claim, 9 Drawing Sheets



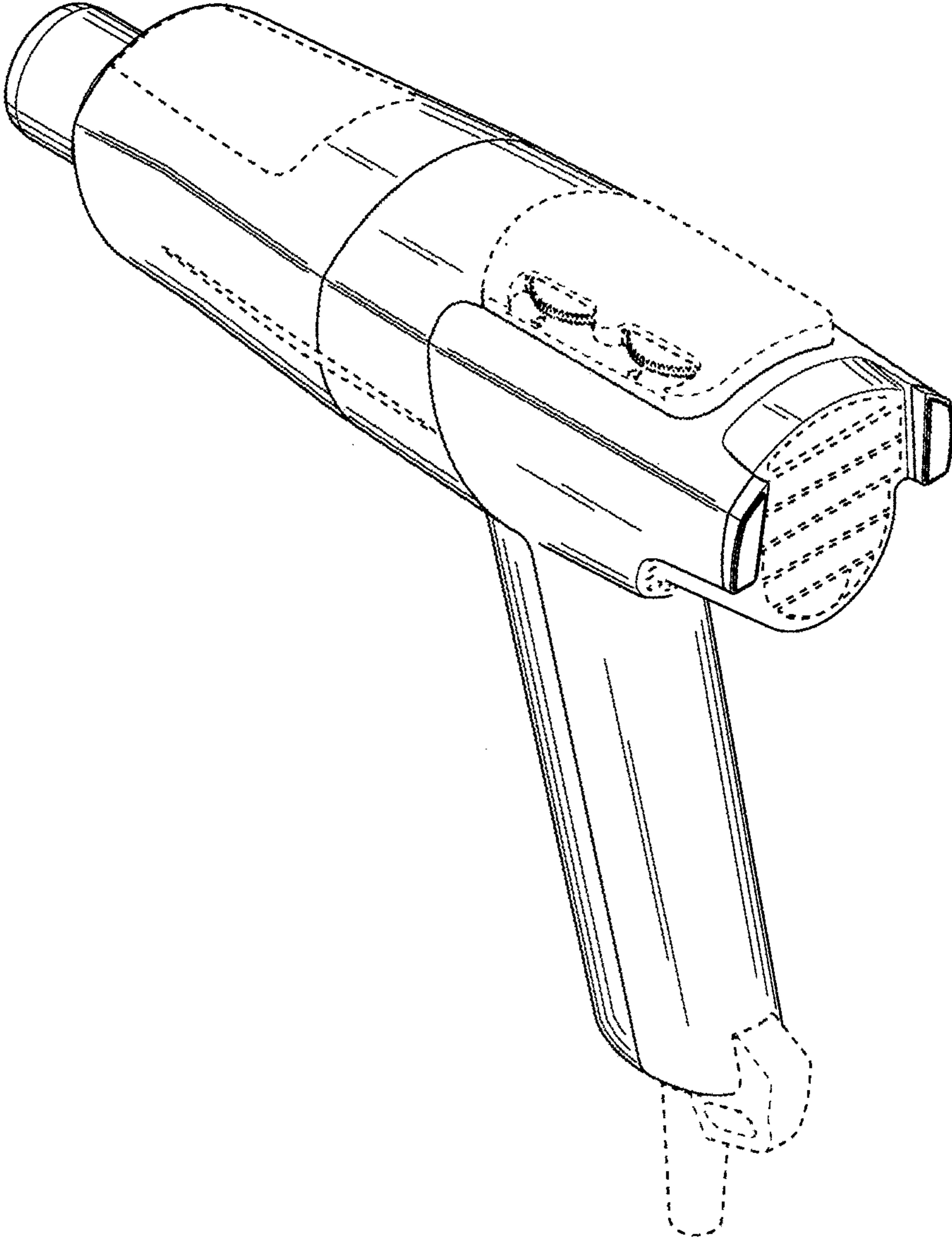


FIG.1

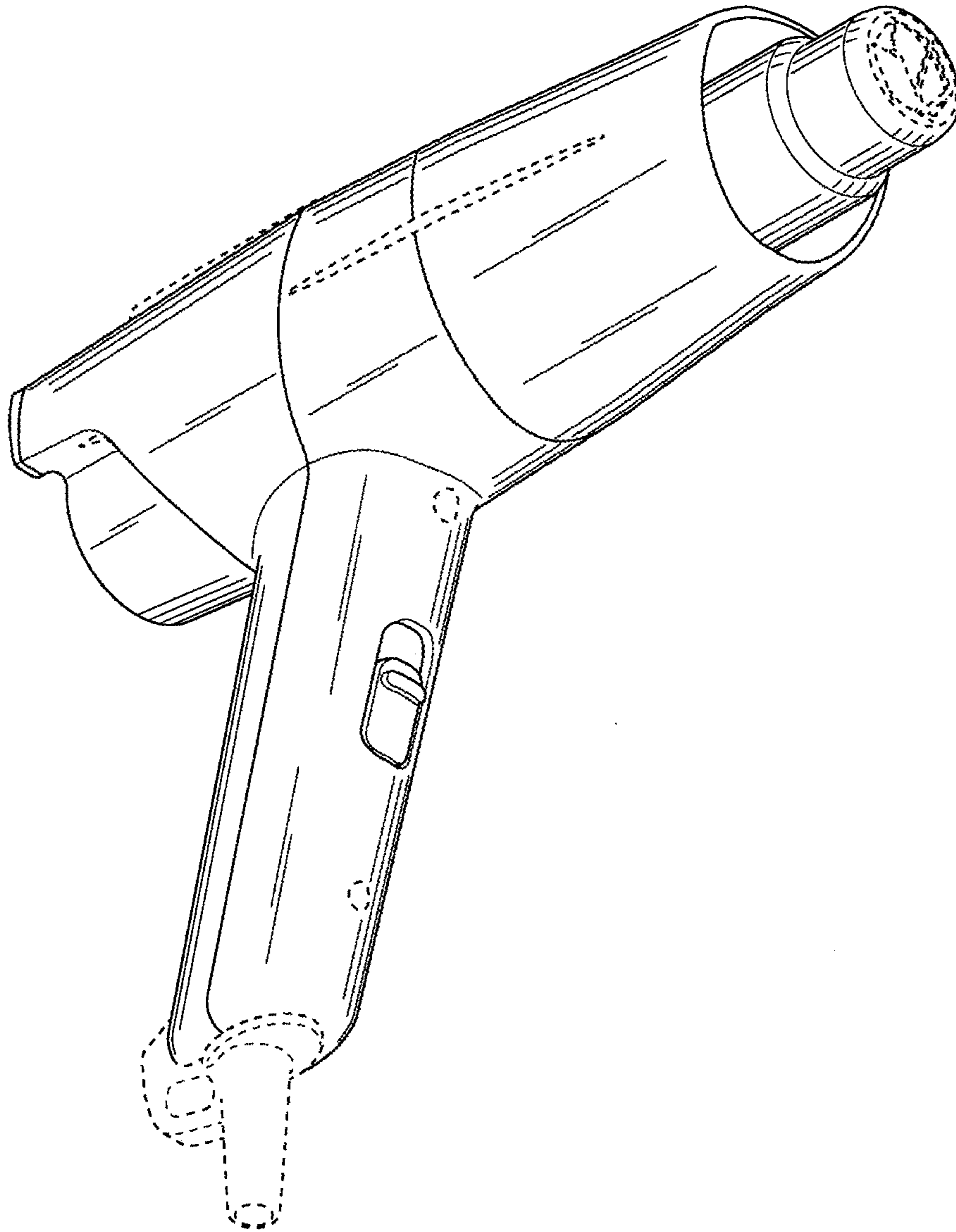


FIG.2

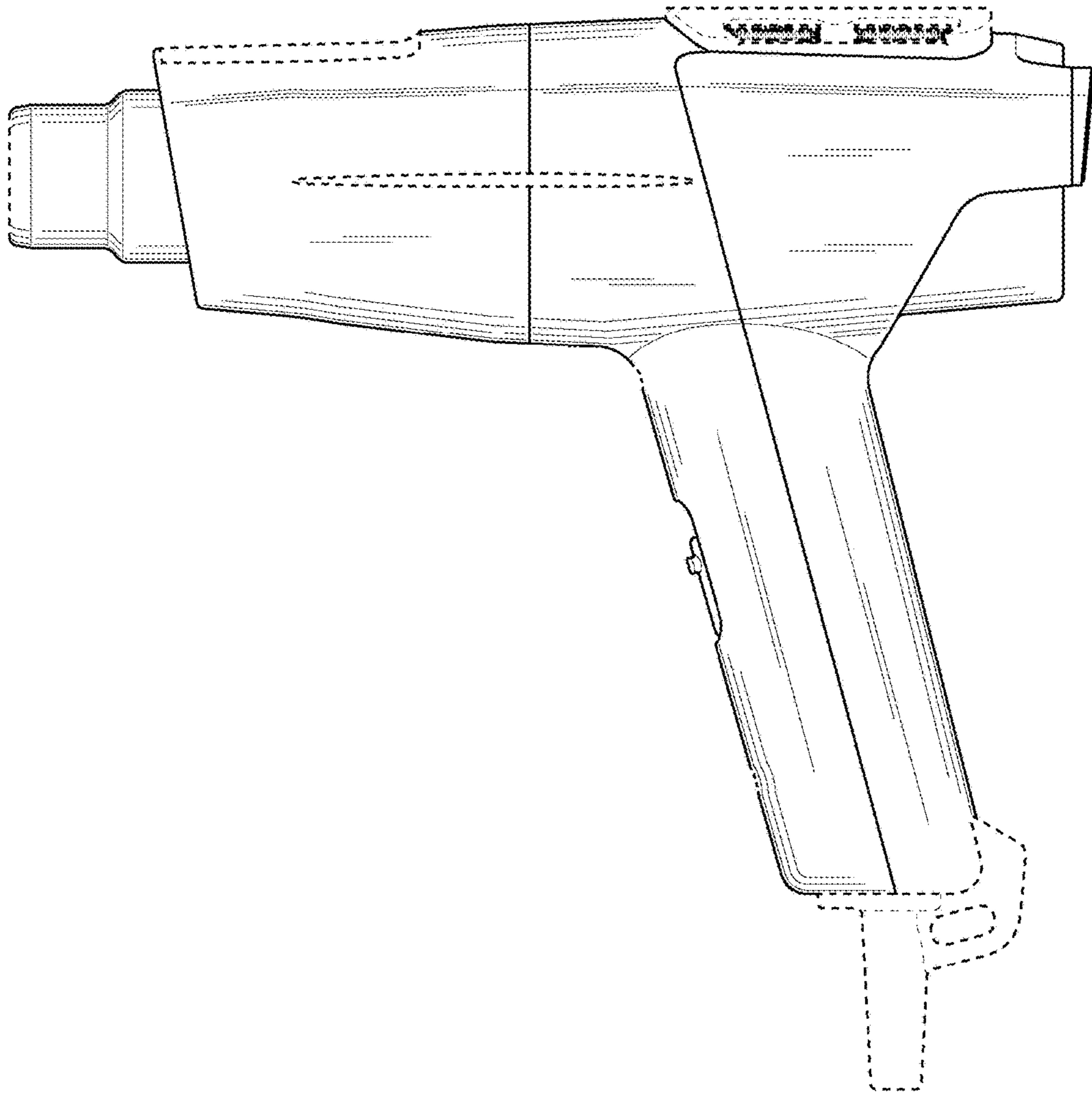


FIG.3

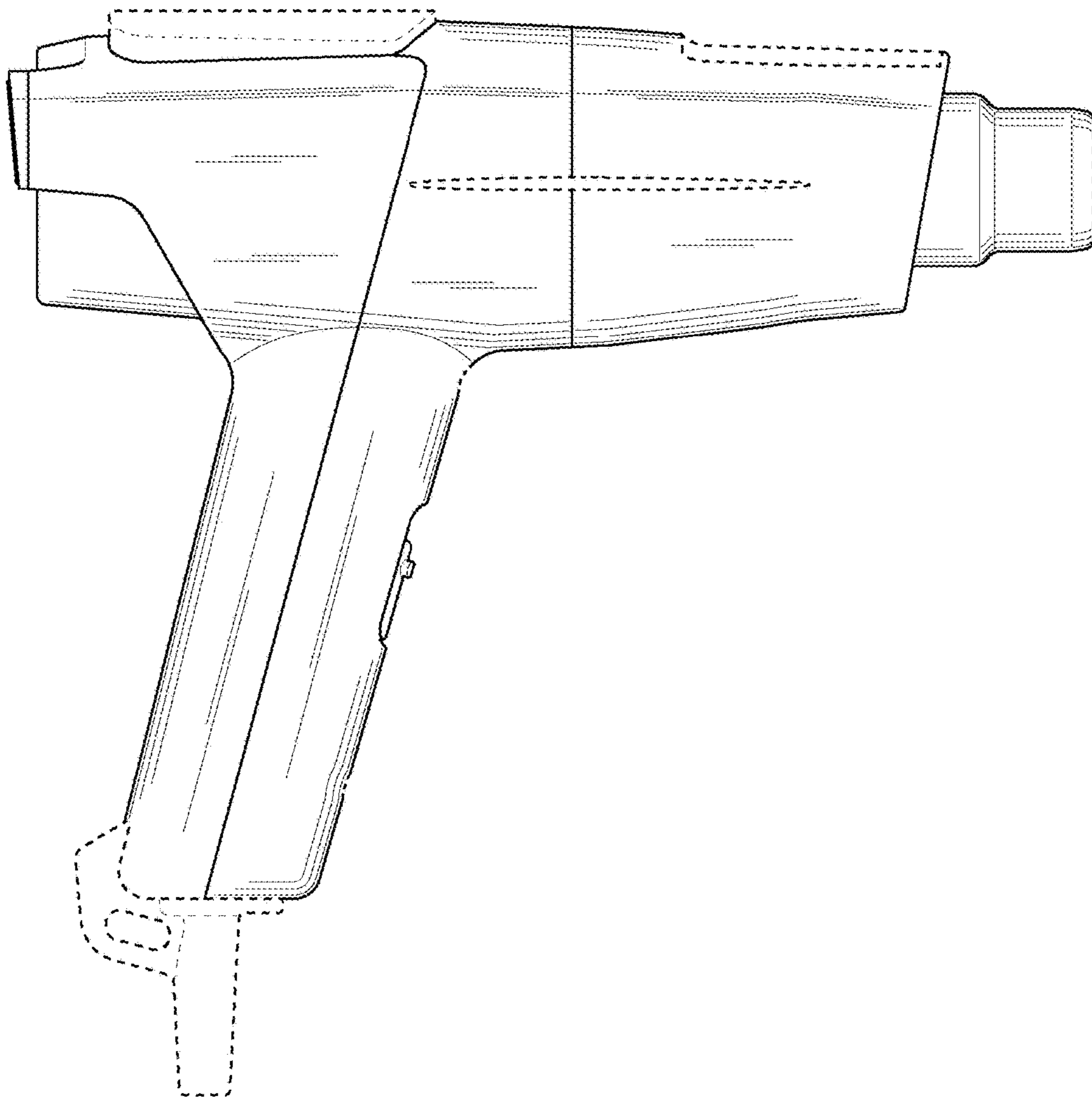


FIG.4

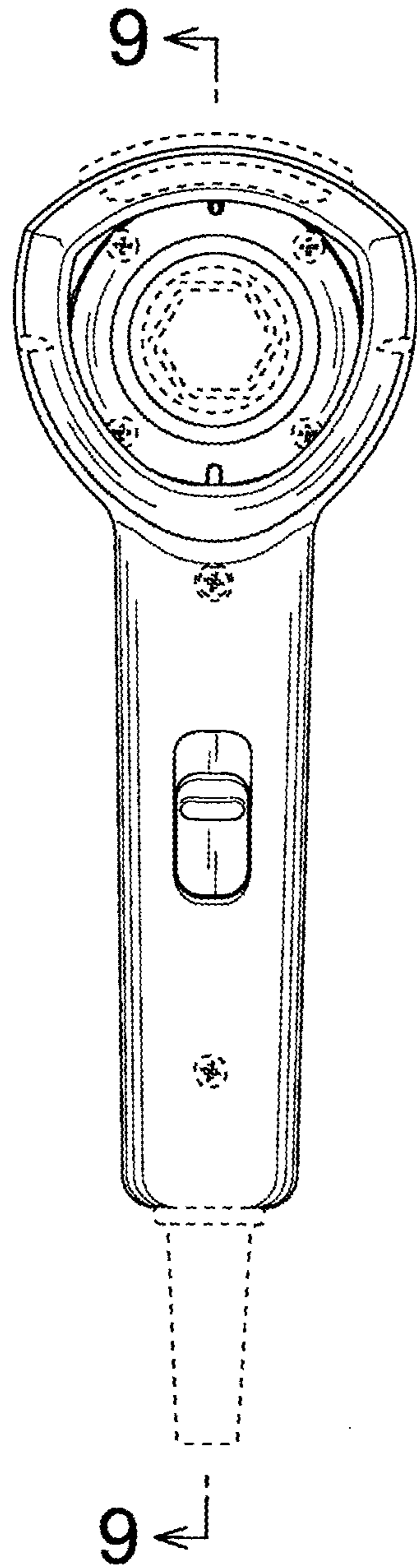


FIG.5

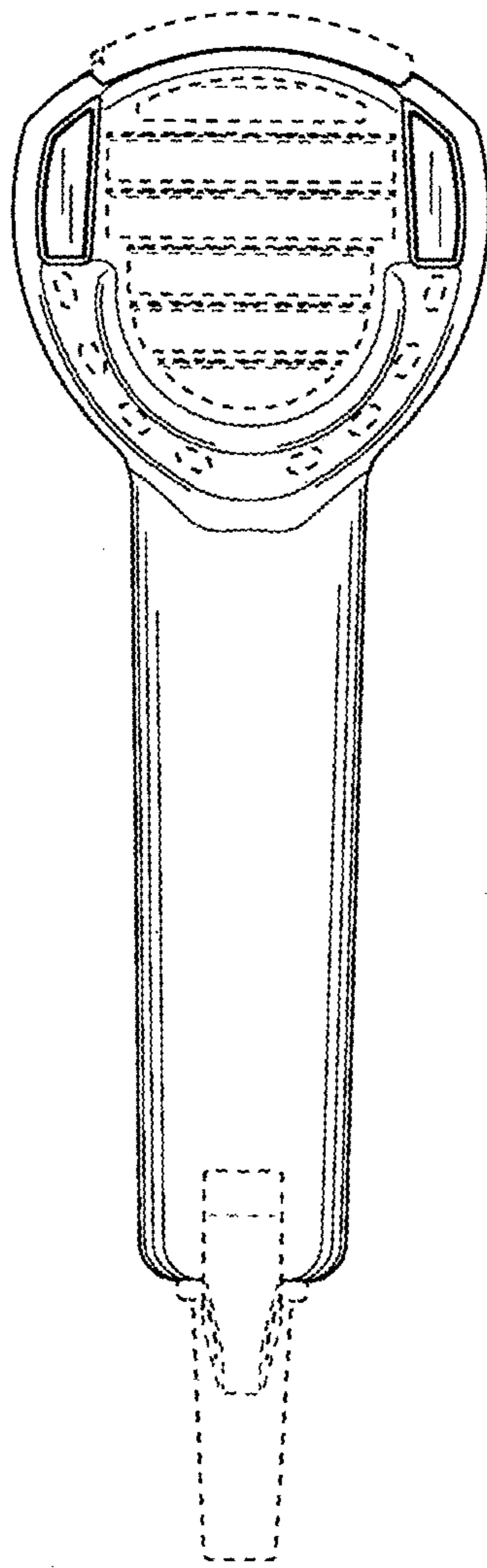


FIG.6

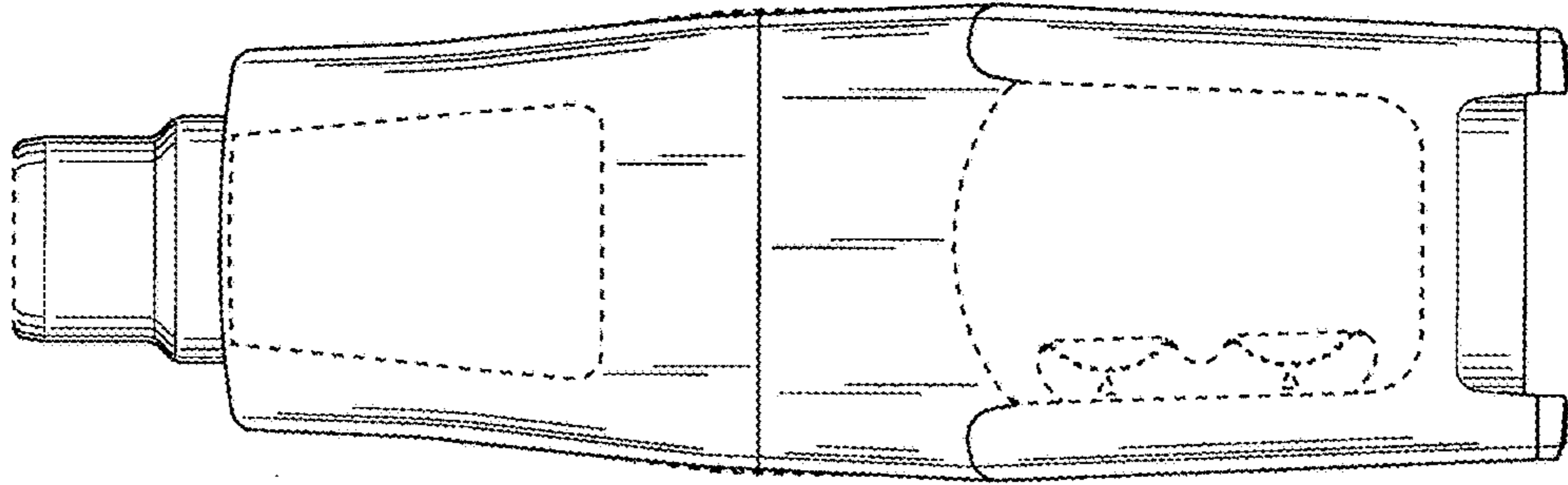


FIG. 7

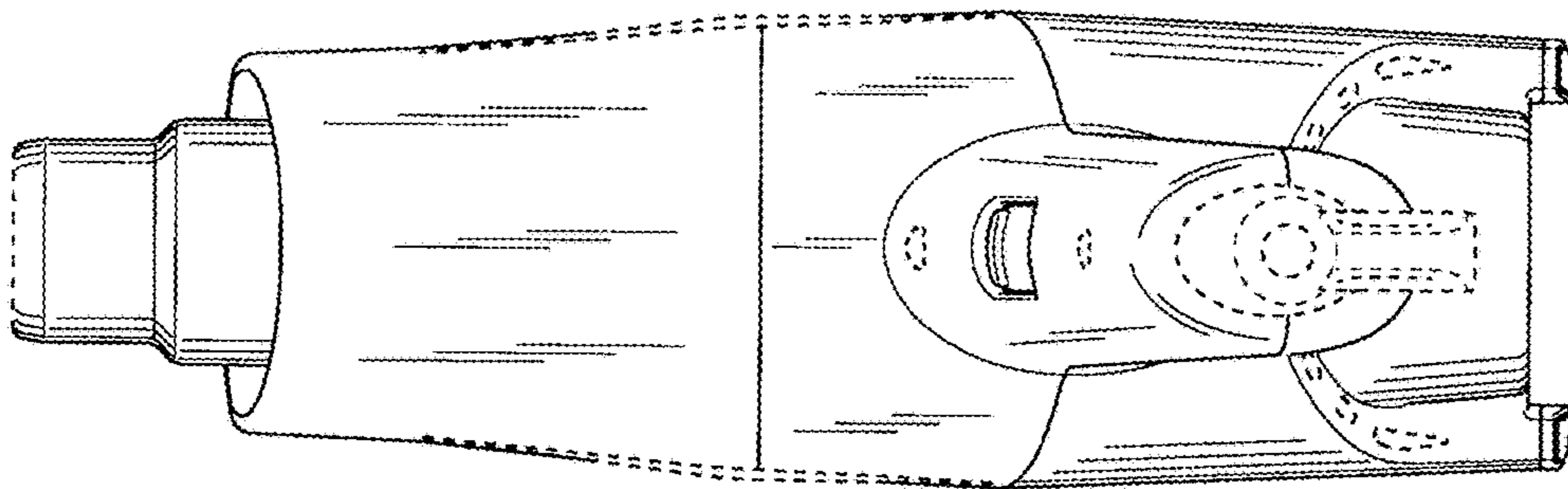


FIG. 8

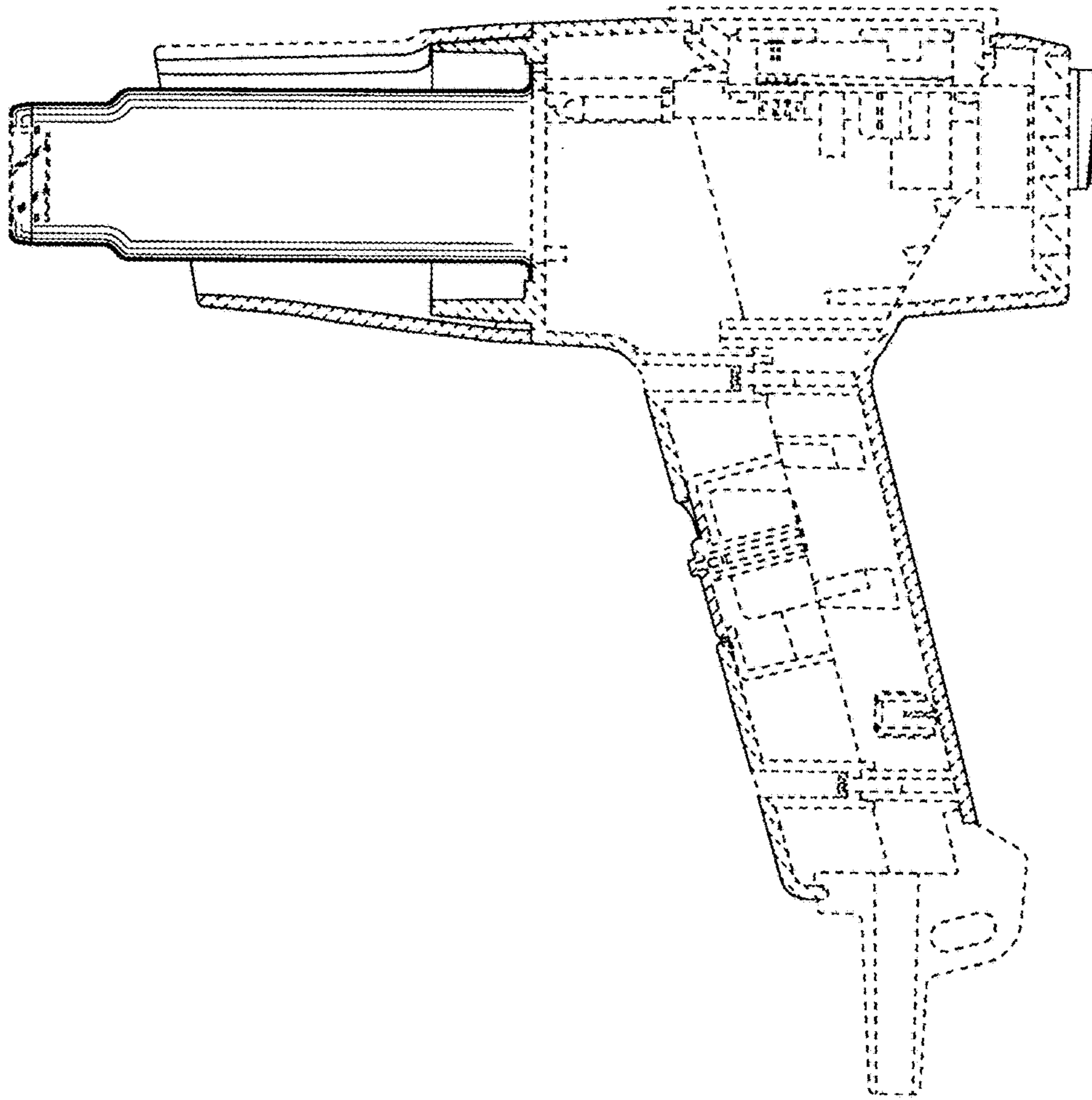


FIG.9

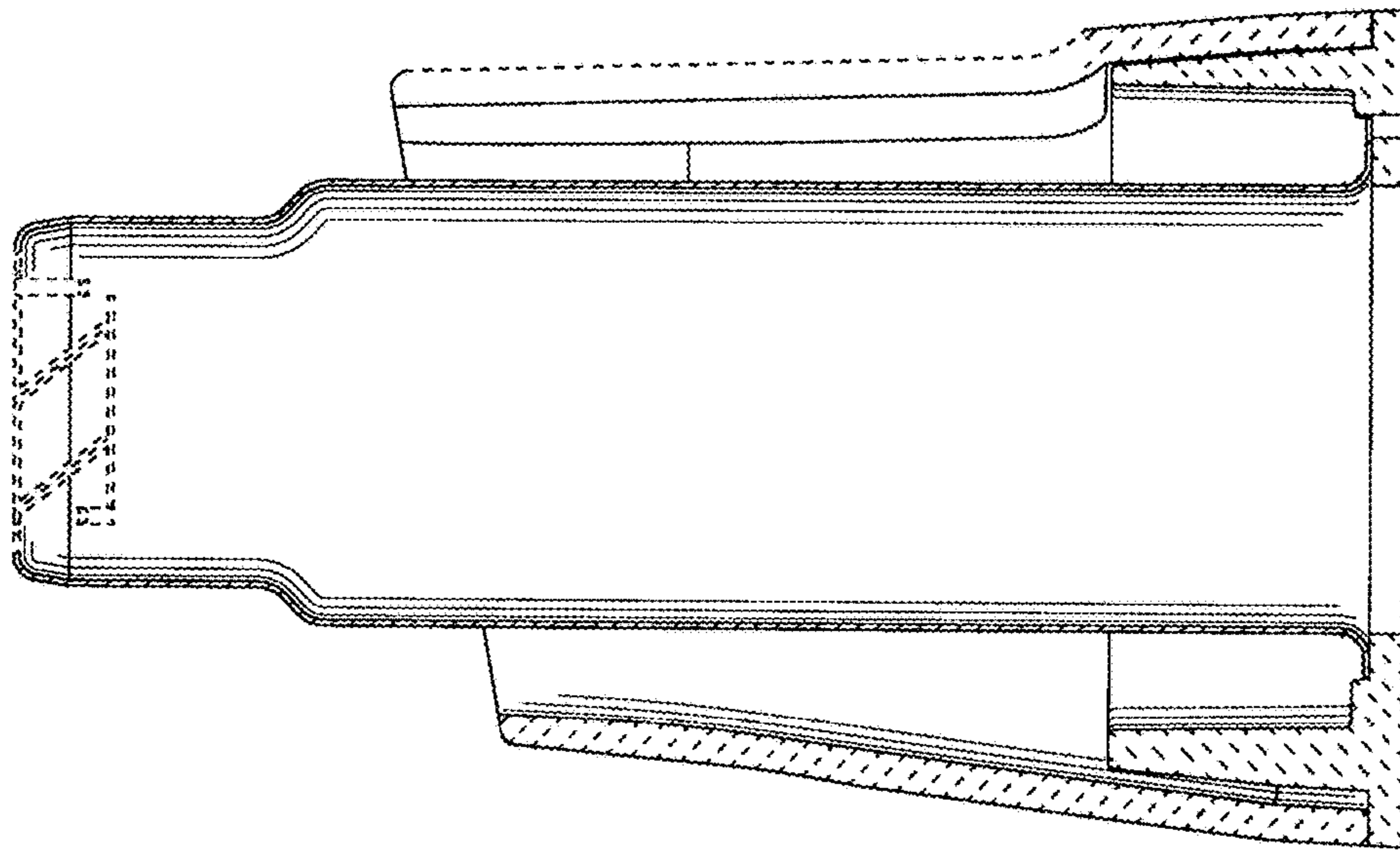


FIG.10