



US00D829518S

(12) **United States Design Patent** (10) **Patent No.:** **US D829,518 S**
McLeod (45) **Date of Patent:** **** Oct. 2, 2018**

(54) **BREAKER BAR**

(71) Applicant: **Charles Amash Imports, Inc.**,
Wayland, MI (US)

(72) Inventor: **Michael McLeod**, Caledonia, MI (US)

(73) Assignee: **CHARLES AMASH IMPORTS, INC.**,
Wayland, MI (US)

(**) Term: **15 Years**

(21) Appl. No.: **29/602,572**

(22) Filed: **May 2, 2017**

(51) **LOC (11) Cl.** **08-05**

(52) **U.S. Cl.**
USPC **D8/24**

(58) **Field of Classification Search**
USPC D8/21-29; 81/177.7, 177.8, 177.9, 177.2,
81/60-63.2; 403/324, 84, 93, 96
CPC B25B 9/00
See application file for complete search history.

(56) **References Cited**

U.S. PATENT DOCUMENTS

D296,751 S *	7/1988	Levy	D8/24
D372,409 S *	8/1996	Wright	D8/25
6,928,903 B1 *	8/2005	Liao	B25B 13/466
				81/177.8
D627,206 S *	11/2010	Delaney	D8/107
8,205,529 B1 *	6/2012	Laurie	B25B 13/463
				81/177.85
D675,894 S *	2/2013	Chen	D8/25

OTHER PUBLICATIONS

Photographs of a breaker bar sold since 2003 by applicant.

* cited by examiner

Primary Examiner — Randall H Gholson

(74) *Attorney, Agent, or Firm* — Honigman Miller
Schwartz and Cohn LLP; Douglas H. Siegel; Jonathan P.
O'Brien

(57) **CLAIM**

The ornamental design for a breaker bar, as shown and
described herein.

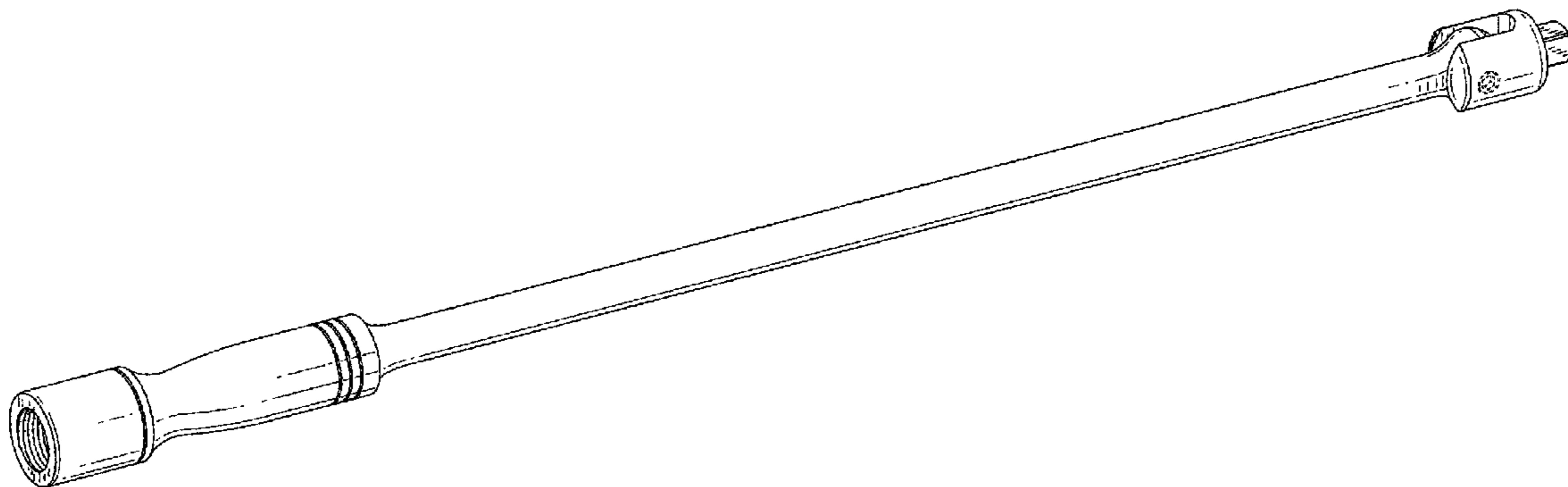
DESCRIPTION

FIG. 1 is a left front bottom perspective view of a first
embodiment of a breaker bar showing my new design;
FIG. 2 is a left back top perspective view thereof;
FIG. 3 is a front elevational view thereof;
FIG. 4 is a back elevational view thereof;
FIG. 5 is a right-side elevational view thereof (which is the
same as the left-side elevational view thereof);
FIG. 6 is a bottom plan view thereof;
FIG. 7 is a top plan view thereof; and
FIG. 8 is a cross-sectional view thereof taken along lines
VIII-VIII of FIG. 6.

FIG. 9 is a left front bottom perspective view of a second
embodiment of the breaker bar;
FIG. 10 is a left back top perspective view thereof;
FIG. 11 is a front elevational view thereof;
FIG. 12 is a back elevational view thereof;
FIG. 13 is a right-side elevational view thereof;
FIG. 14 is a bottom plan view thereof;
FIG. 15 is a top plan view thereof; and,
FIG. 16 is a cross-sectional view thereof taken along lines
XVI-XVI of FIG. 14.

The broken lines are included for purposes of illustrating
environment and form no part of the claimed design. The
Article is shown with a symbolic break in its length. The
appearance of any portion of the article between the break
lines forms no part of the claimed design.

1 Claim, 6 Drawing Sheets



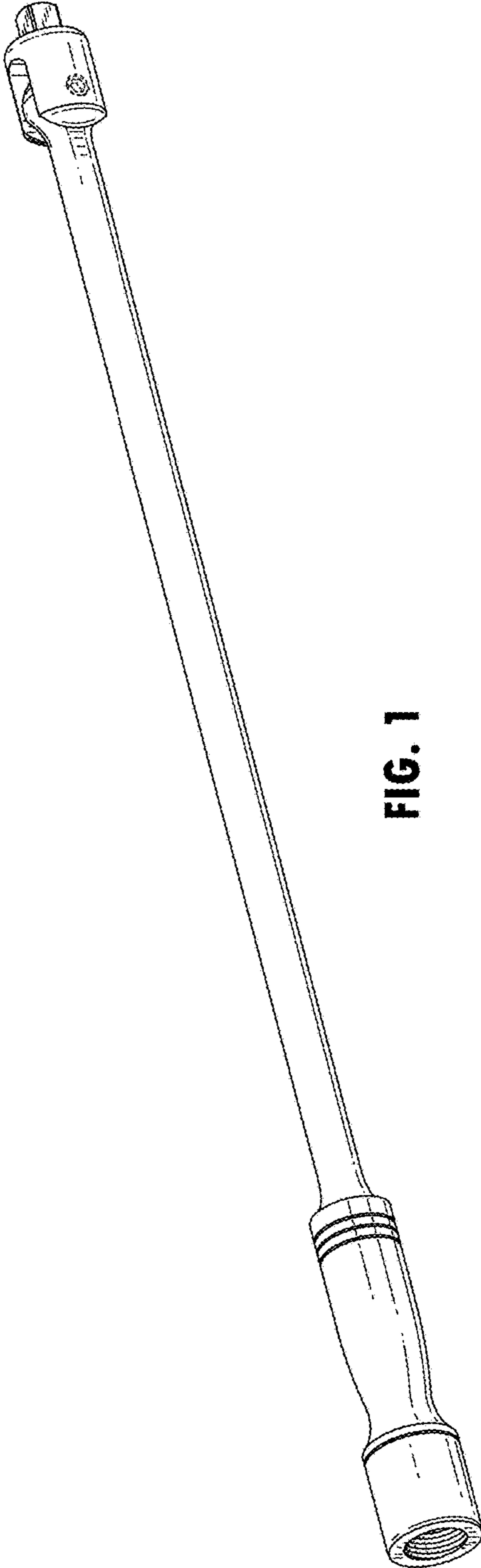


FIG. 1

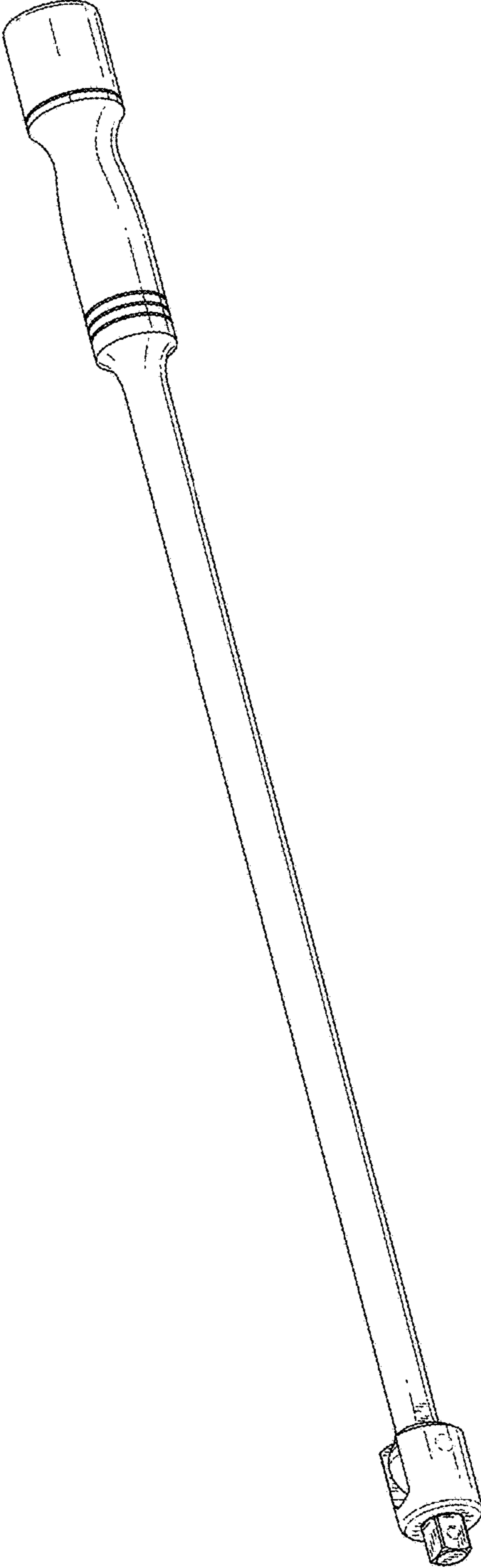


FIG. 2

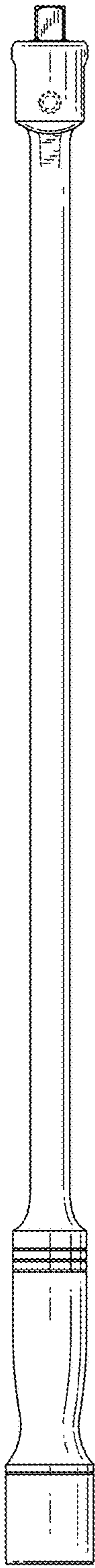


FIG. 3

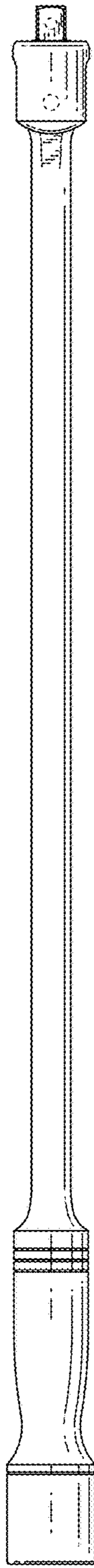


FIG. 4

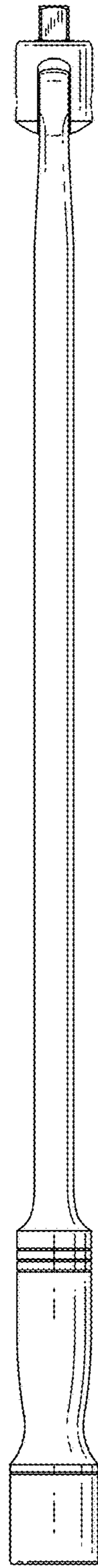


FIG. 5

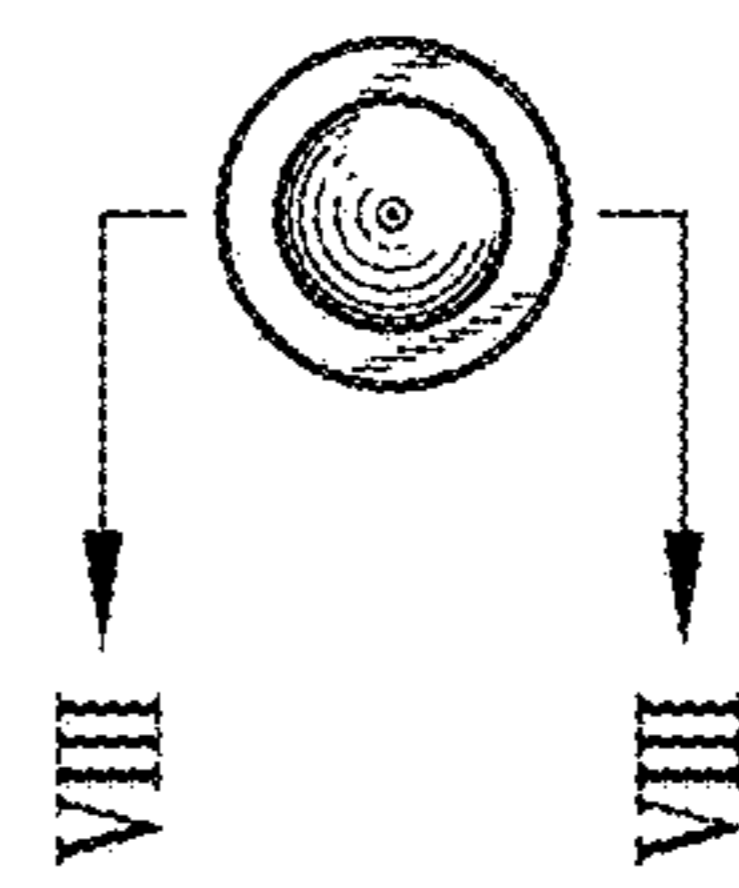


FIG. 6



FIG. 7

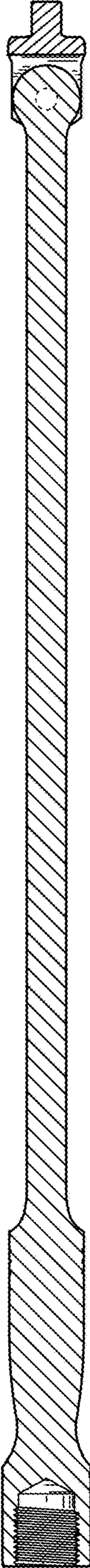
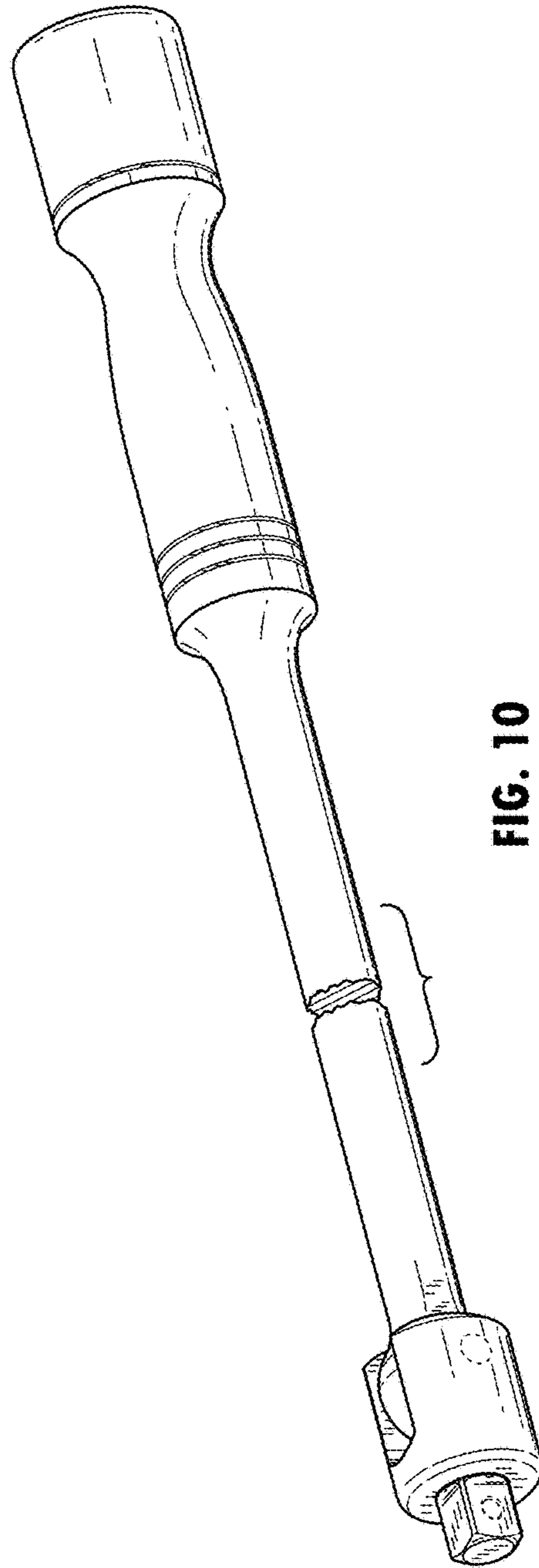
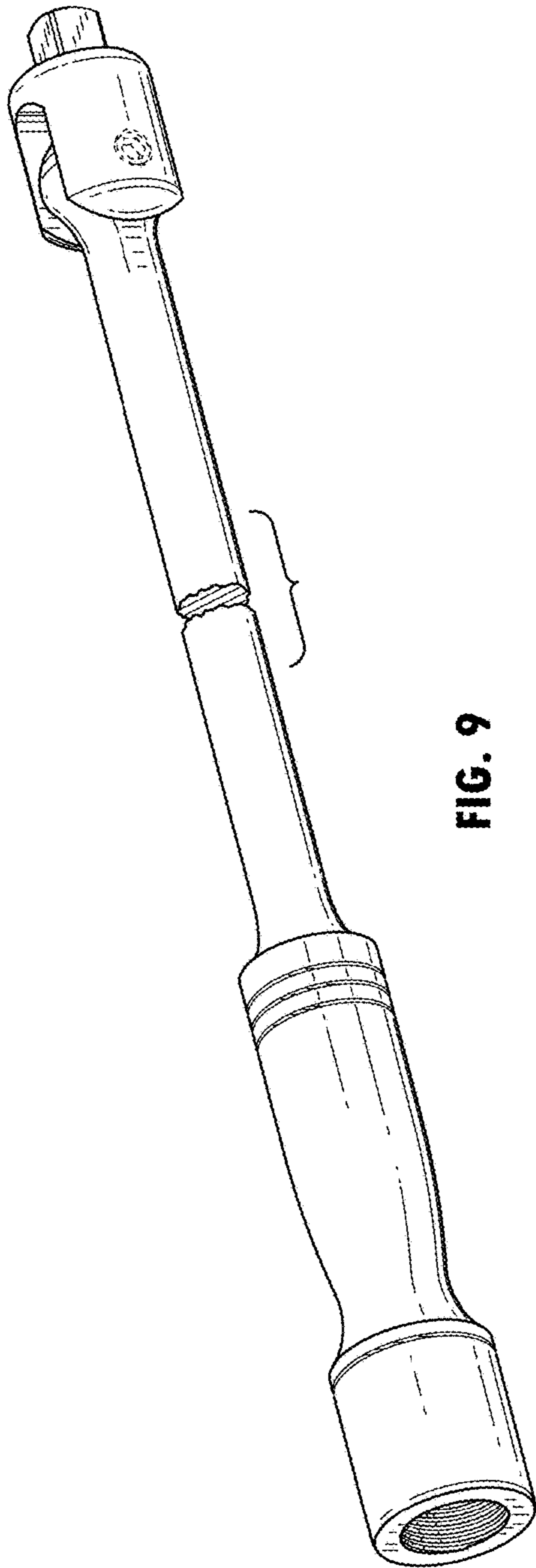


FIG. 8



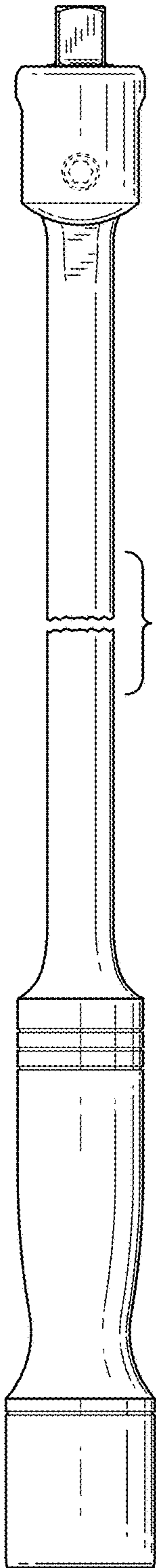


FIG. 11

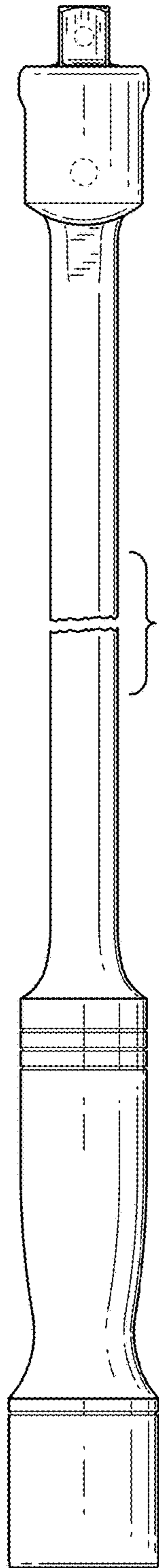


FIG. 12

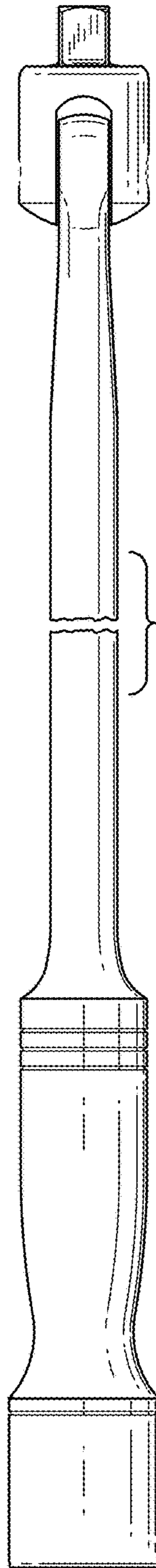


FIG. 13

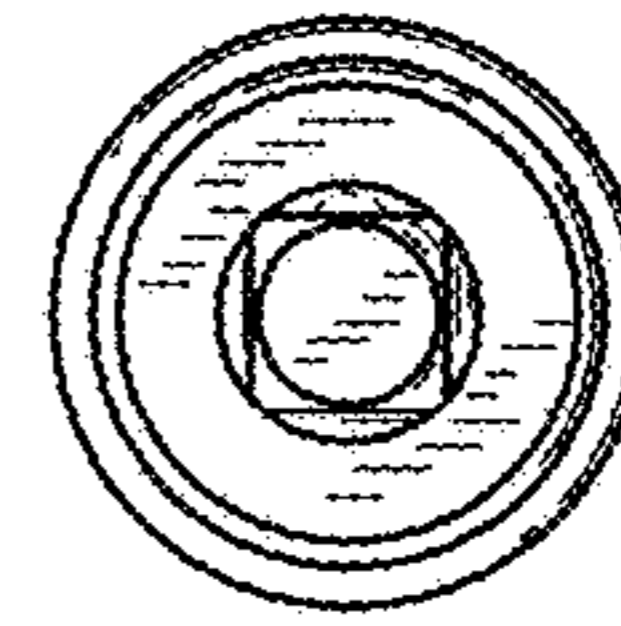


FIG. 15

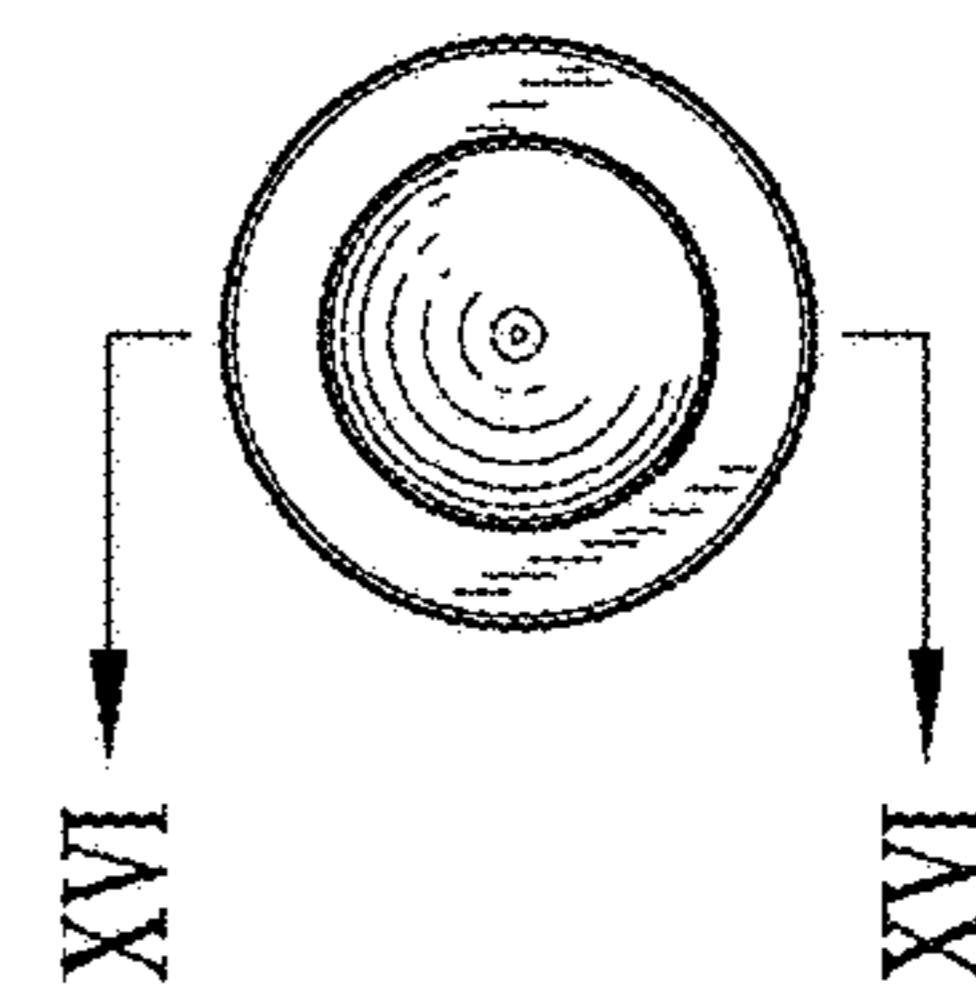


FIG. 14

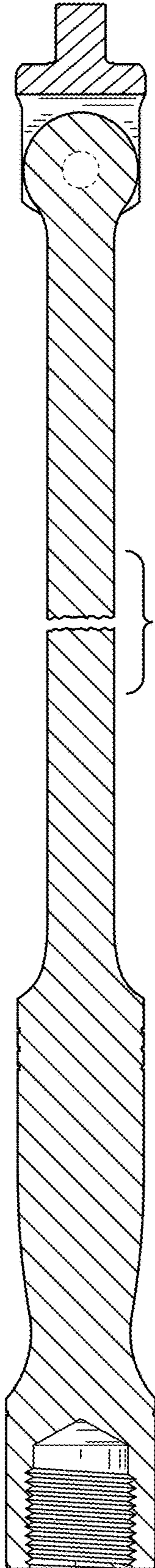


FIG. 16