



US00D829517S

(12) **United States Design Patent**  
**Coleman**

(10) **Patent No.:** **US D829,517 S**  
(45) **Date of Patent:** **\*\* Oct. 2, 2018**

(54) **POST DRIVING WITH HEIGHT SETTING  
AND WITH WIRE STRETCHING TOOL**

D675,494 S \* 2/2013 Beem ..... D8/14  
8,955,612 B2 \* 2/2015 O'Toole ..... E04H 17/263  
173/114  
D754,264 S \* 4/2016 Beaver ..... D21/680

(71) Applicant: **Perfect Bridge, LLC**, Kansas City, MO  
(US)

(72) Inventor: **Kenneth Paul Coleman**, Bolivar, MO  
(US)

(\*\*) Term: **15 Years**

(21) Appl. No.: **29/594,826**

(22) Filed: **Feb. 22, 2017**

(51) **LOC (11) Cl.** ..... **08-05**

(52) **U.S. Cl.**

USPC ..... **D8/14**

(58) **Field of Classification Search**

USPC ..... D8/14, 51, 75

CPC ..... B25D 1/16; B25D 1/14; E04H 17/263

See application file for complete search history.

(56) **References Cited**

**U.S. PATENT DOCUMENTS**

2,998,087 A \* 8/1961 Iddings ..... E02D 7/04  
173/102  
3,313,356 A 4/1967 Clevenger  
3,712,389 A 1/1973 Smoak  
3,937,286 A 2/1976 Wagner  
5,042,591 A \* 8/1991 Hull ..... B25D 1/16  
173/132  
5,495,878 A \* 3/1996 McKenen, Jr. .... B25D 1/16  
144/193.1  
D587,548 S \* 3/2009 O'Toole ..... D8/14  
7,980,323 B2 \* 7/2011 Wilson ..... E04H 17/263  
173/162.1

**OTHER PUBLICATIONS**

See attached series of four screenshots generated from Google search of "post driving tool" resulting in the generated screenshots showing commercially available post driving tools. Search conducted on Feb. 3, 2017.

See attached series of two screenshots generated from Google search of "fence wire stretcher" resulting in the generated screenshots showing commercially available fence wire stretchers. Search conducted on Feb. 3, 2017.

\* cited by examiner

*Primary Examiner* — Philip S Hyder

(74) *Attorney, Agent, or Firm* — Eric Kelly

(57) **CLAIM**

What is claimed is the ornamental design for a post driving with height setting and with wire stretching tool, as shown and described.

**DESCRIPTION**

FIG. 1 illustrates a perspective view of a post driving with height setting and wire stretching tool, embodying my new design;

FIG. 2 illustrates a front view thereof;

FIG. 3 illustrates a back view thereof;

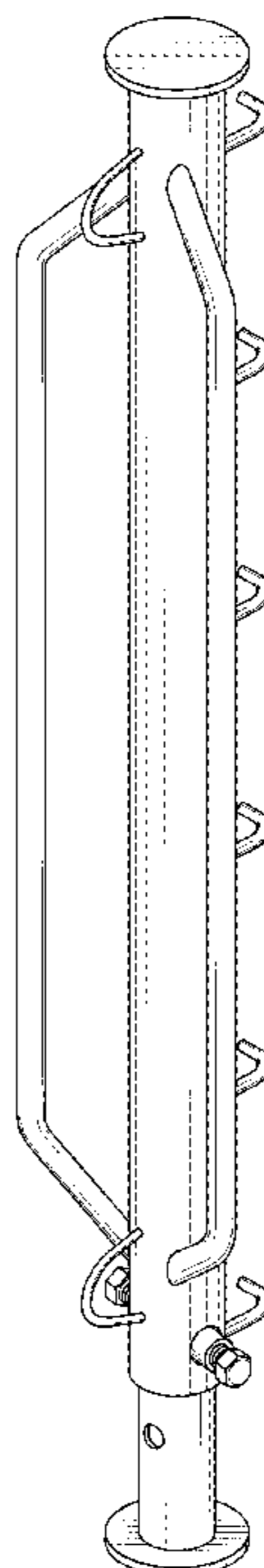
FIG. 4 illustrates a left-side view thereof;

FIG. 5 illustrates a right-side view thereof;

FIG. 6 illustrates a top view thereof; and,

FIG. 7 illustrates a bottom view thereof.

**1 Claim, 6 Drawing Sheets**



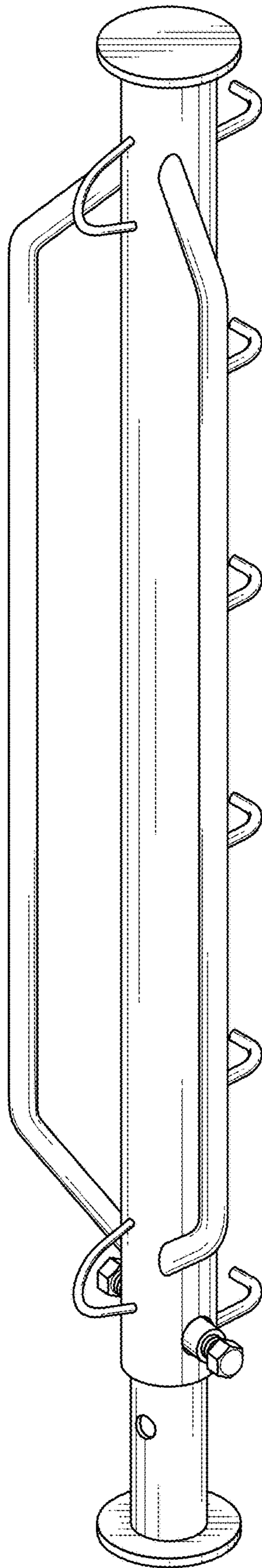


FIG. 1

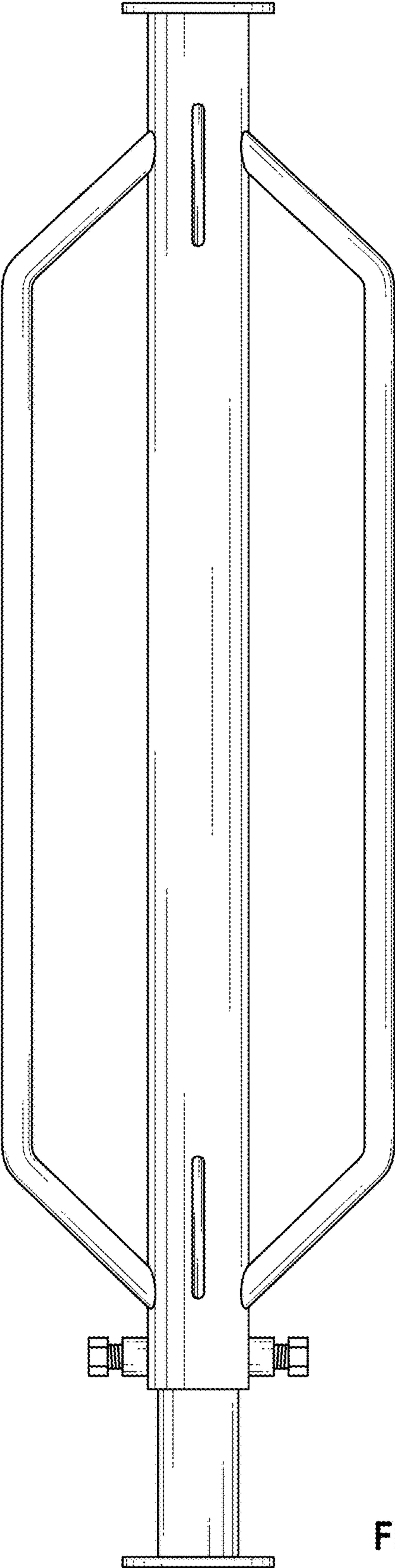


FIG. 2

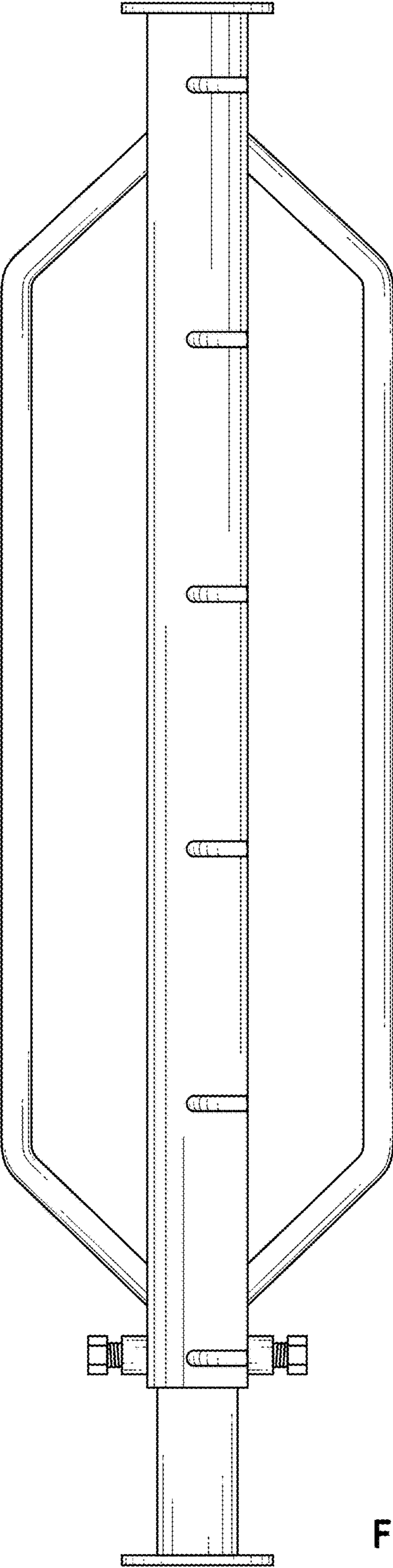


FIG. 3

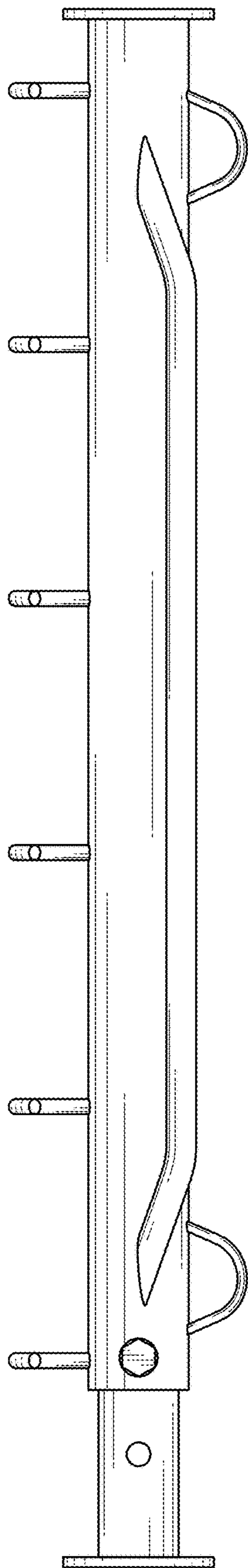


FIG. 4

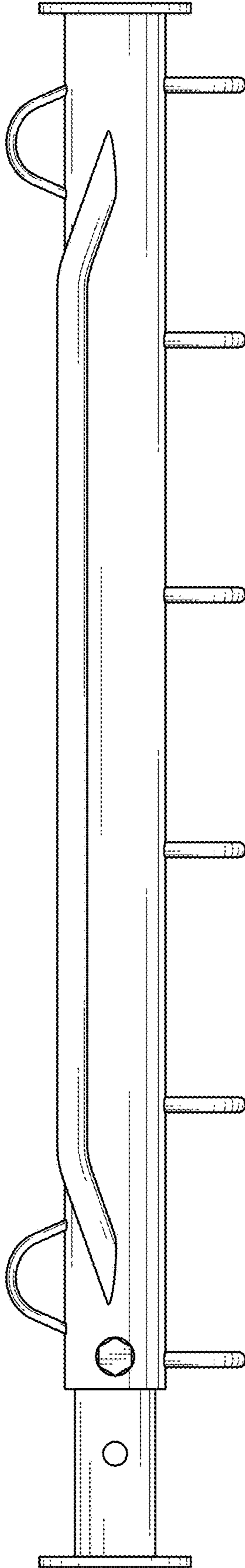


FIG. 5

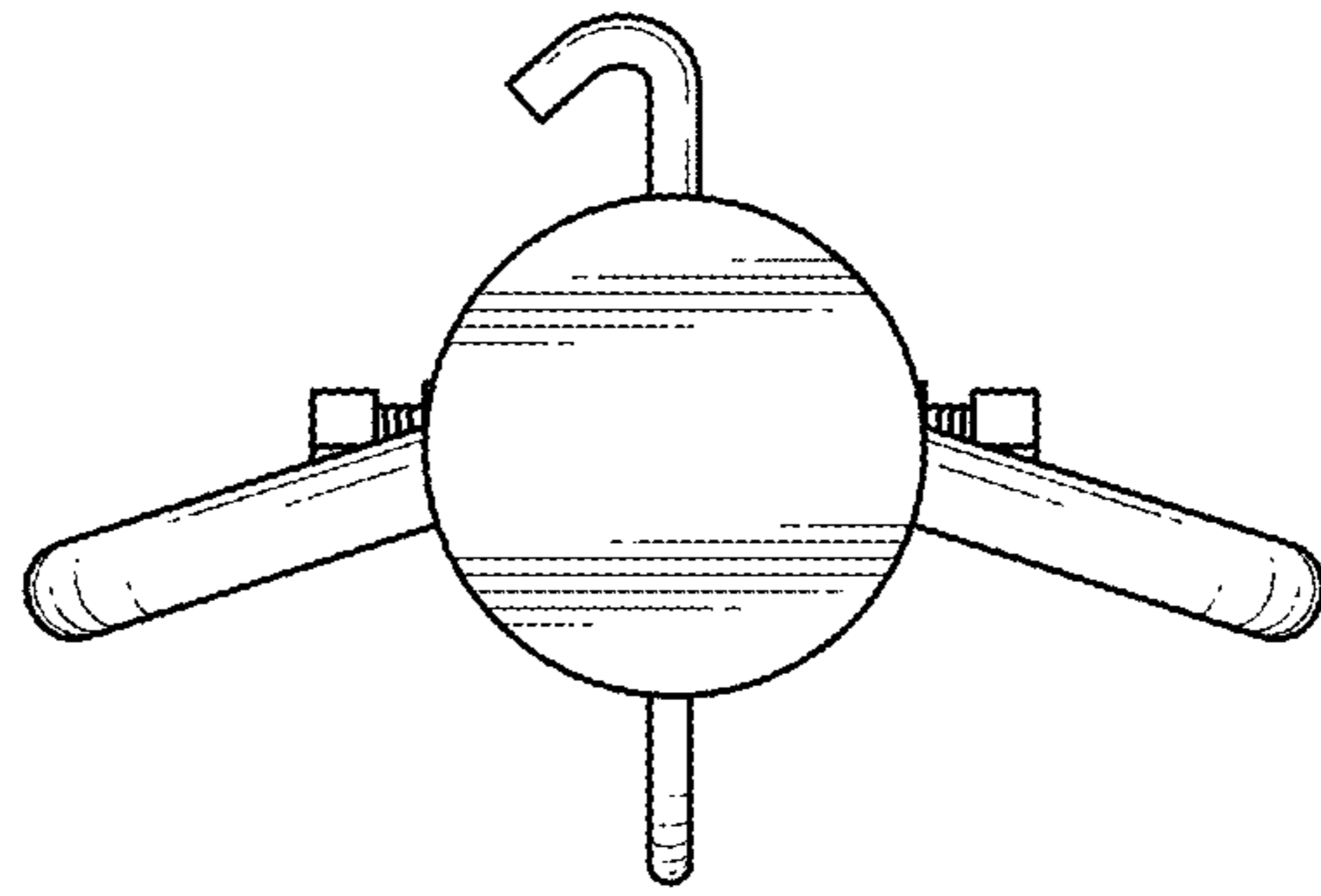


FIG. 6

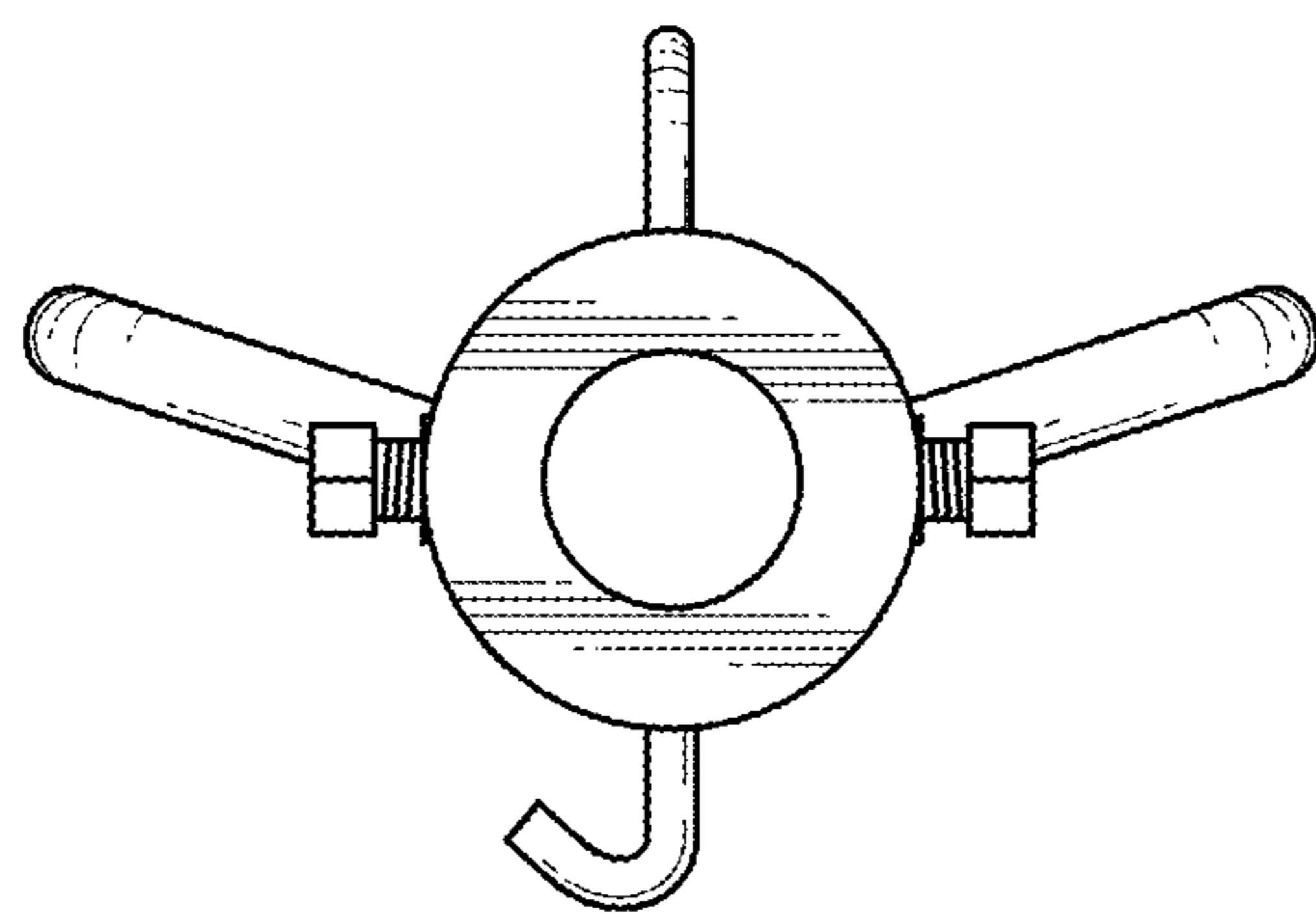


FIG. 7