



US00D829513S

(12) **United States Design Patent**  
**Sanders et al.**

(10) **Patent No.:** **US D829,513 S**  
(45) **Date of Patent:** **\*\* Oct. 2, 2018**

(54) **FOOD SLICER**

(71) Applicant: **DKB Household UK Limited**,  
Hampshire (GB)

(72) Inventors: **Julian David Sanders**, Bridgend (GB);  
**Matthew Ian Blofeld**, Vale of  
Glamorgan (GB)

(73) Assignee: **DKB HOUSEHOLD UK LIMITED**  
(GB)

(\*\*) Term: **15 Years**

(21) Appl. No.: **29/574,967**

(22) Filed: **Aug. 19, 2016**

(30) **Foreign Application Priority Data**

Feb. 22, 2016 (EM) ..... 002996991-0001

(51) **LOC (11) Cl.** ..... **07-04**

(52) **U.S. Cl.**  
USPC ..... **D7/673**

(58) **Field of Classification Search**

USPC ..... D7/672-679, 693, 412, 381-385;  
83/856; 99/537

CPC ..... B26D 3/283; B26D 3/26; B26D 3/185;  
B26D 3/03; B26D 3/11; B26D 1/553;  
B26D 29/063; B26D 2003/285-2003/288;  
B26D 7/00; B26D 7/01; B26D 2210/02;  
A47J 25/00; A47J 43/25

See application file for complete search history.

(56) **References Cited**

**U.S. PATENT DOCUMENTS**

D495,218 S \* 8/2004 Yu ..... D7/673  
D535,162 S \* 1/2007 De Buyer ..... D7/673

D670,980 S \* 11/2012 De Buyer ..... D7/673  
D682,049 S \* 5/2013 Jossem ..... D7/673  
D690,564 S \* 10/2013 Tetreault ..... D7/673  
D751,352 S \* 3/2016 Koide ..... D7/673  
D776,989 S \* 1/2017 Wong ..... D7/673  
2007/0125207 A1\* 6/2007 Lucas ..... B26D 3/283  
83/13  
2012/0227564 A1\* 9/2012 Fung ..... A47J 43/25  
83/856  
2014/0331844 A1\* 11/2014 Stewart ..... B26D 3/283  
83/699.51  
2015/0209973 A1\* 7/2015 Hauser ..... B26D 3/283  
83/856

\* cited by examiner

*Primary Examiner* — Susan B Hattan

*Assistant Examiner* — Brett A Miller

(74) *Attorney, Agent, or Firm* — Dorsey & Whitney LLP

(57) **CLAIM**

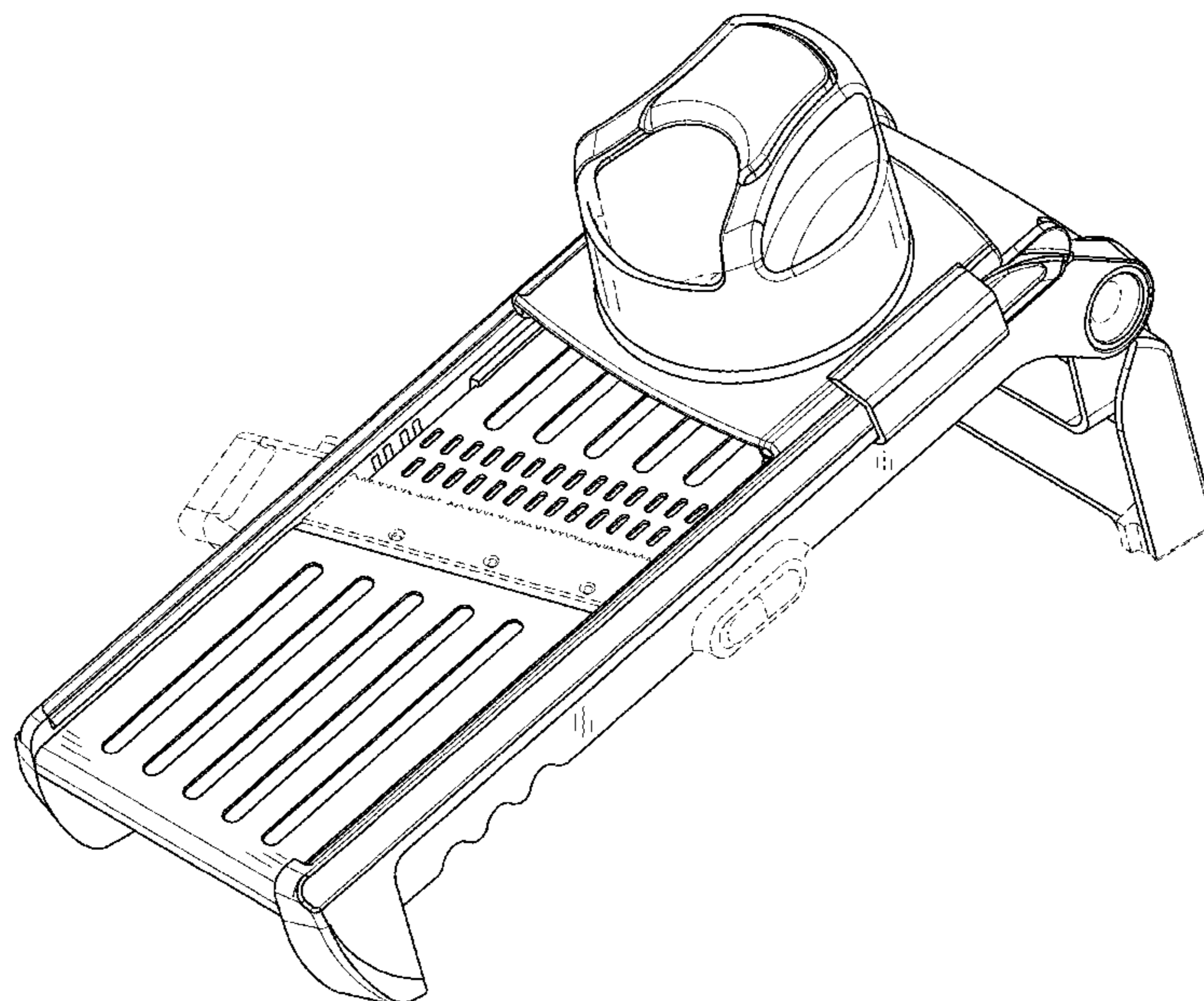
The ornamental design for a food slicer, as shown and described.

**DESCRIPTION**

FIG. 1 is an isometric view of a food slicer in accordance with the present design;  
FIG. 2 is a top plan view thereof;  
FIG. 3 is a bottom plan view thereof;  
FIG. 4 is a front elevation view thereof;  
FIG. 5 is a rear elevation view thereof;  
FIG. 6 is a right side elevation view thereof; and,  
FIG. 7 is a left side elevation view thereof.

The broken lines depict portions of the food slicer that form no part of the claimed design.

**1 Claim, 7 Drawing Sheets**



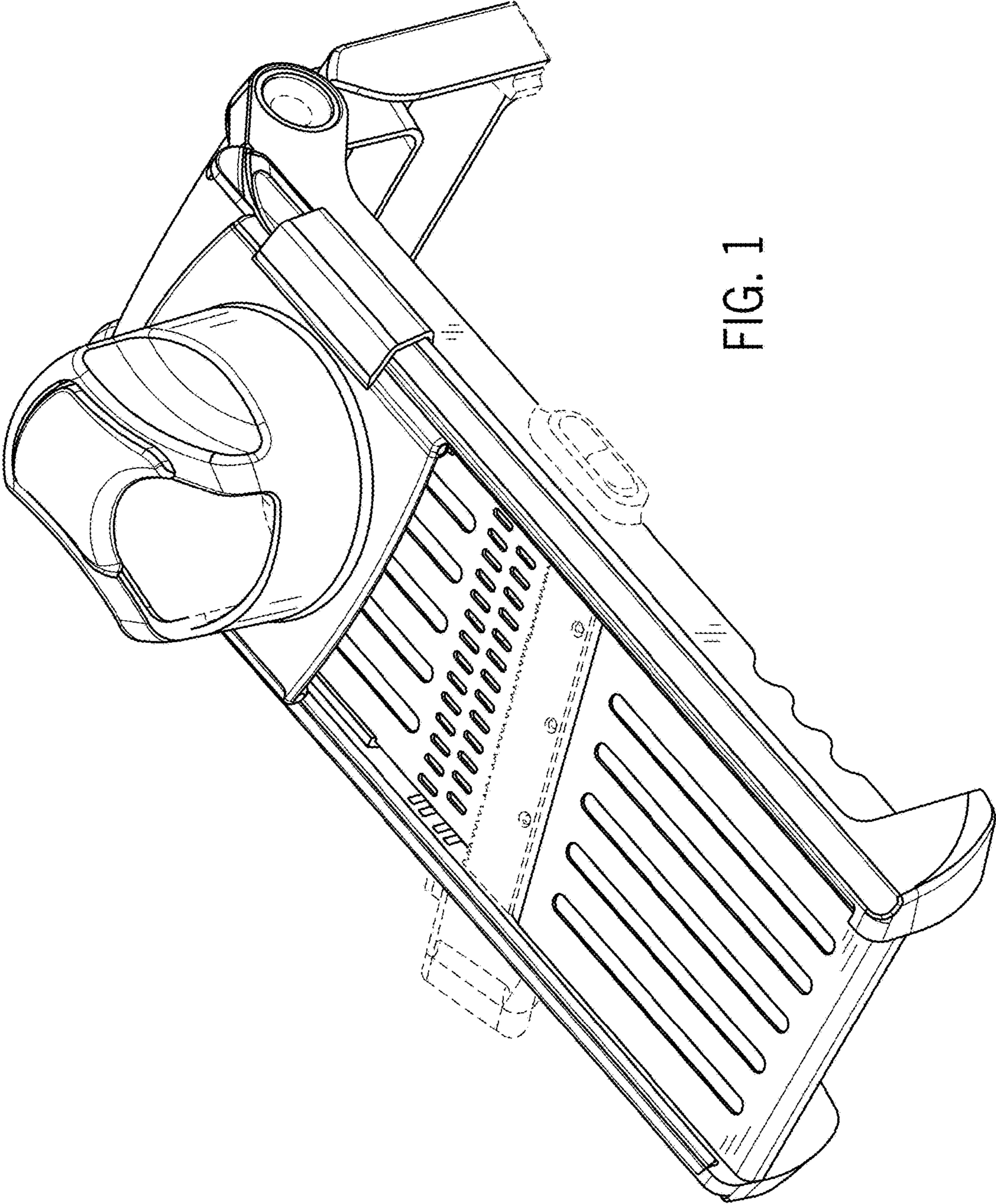


FIG. 1



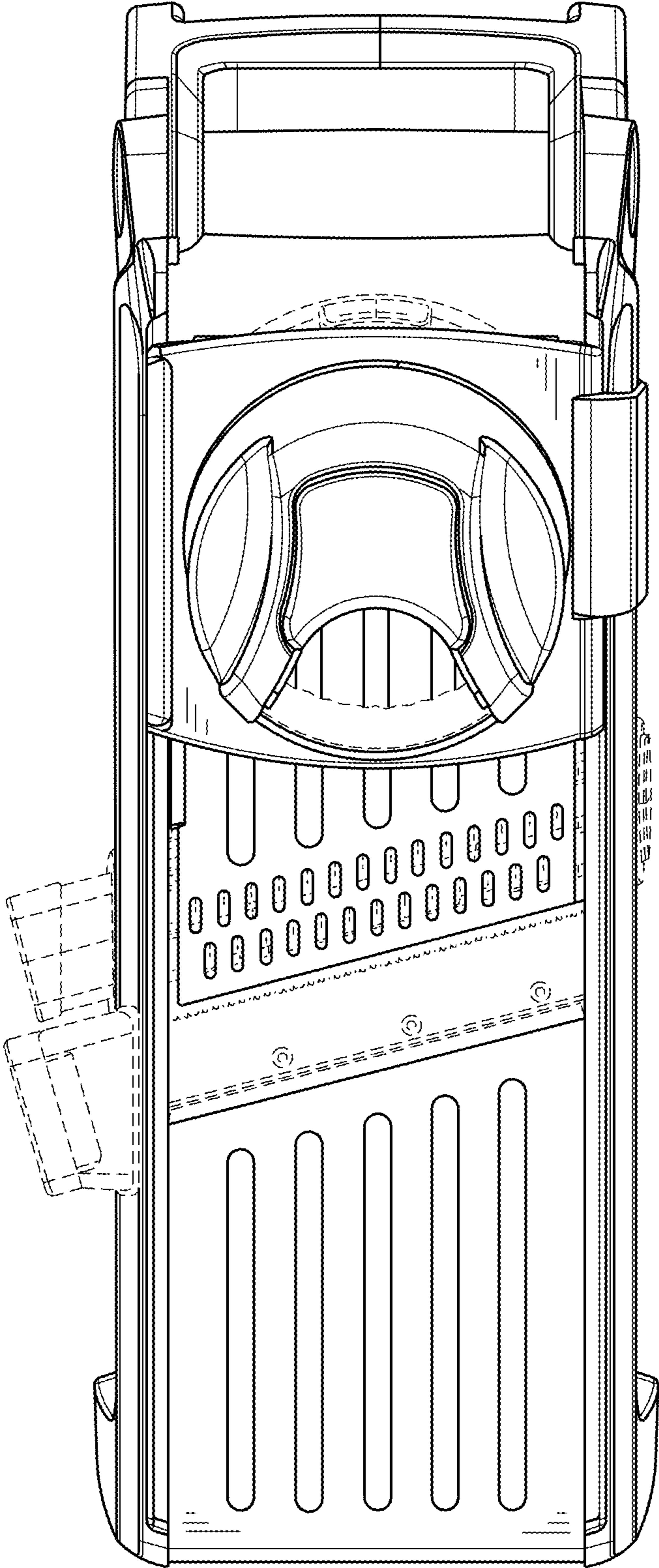


FIG. 2

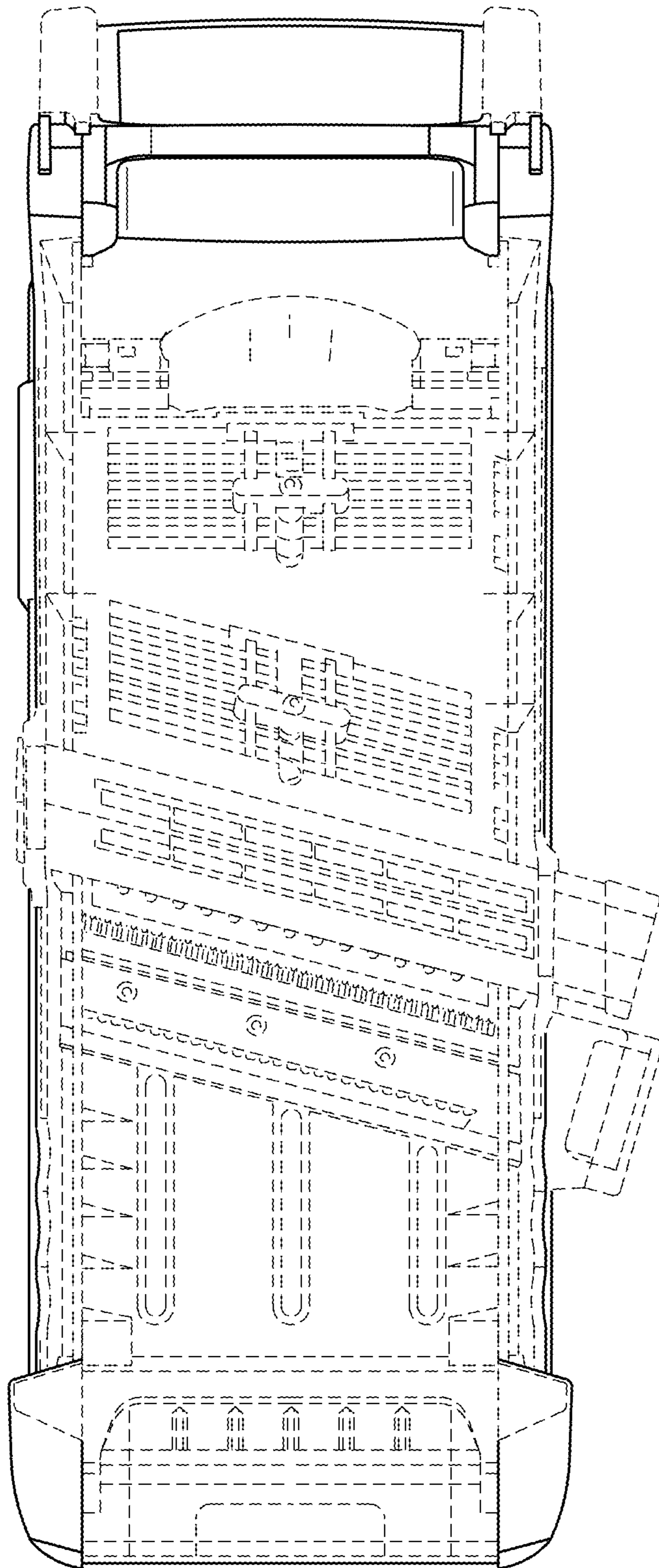


FIG. 3

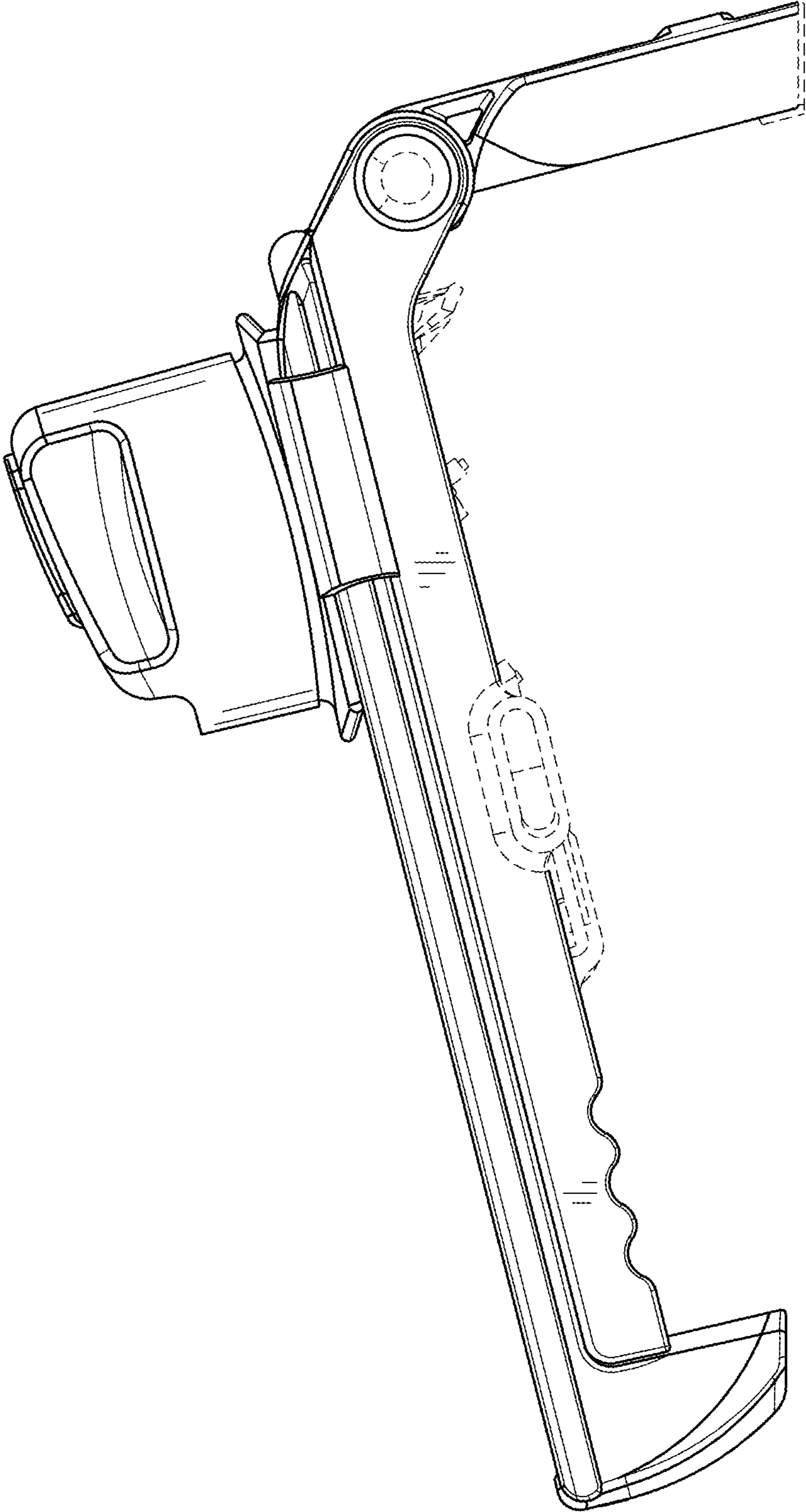


FIG. 4

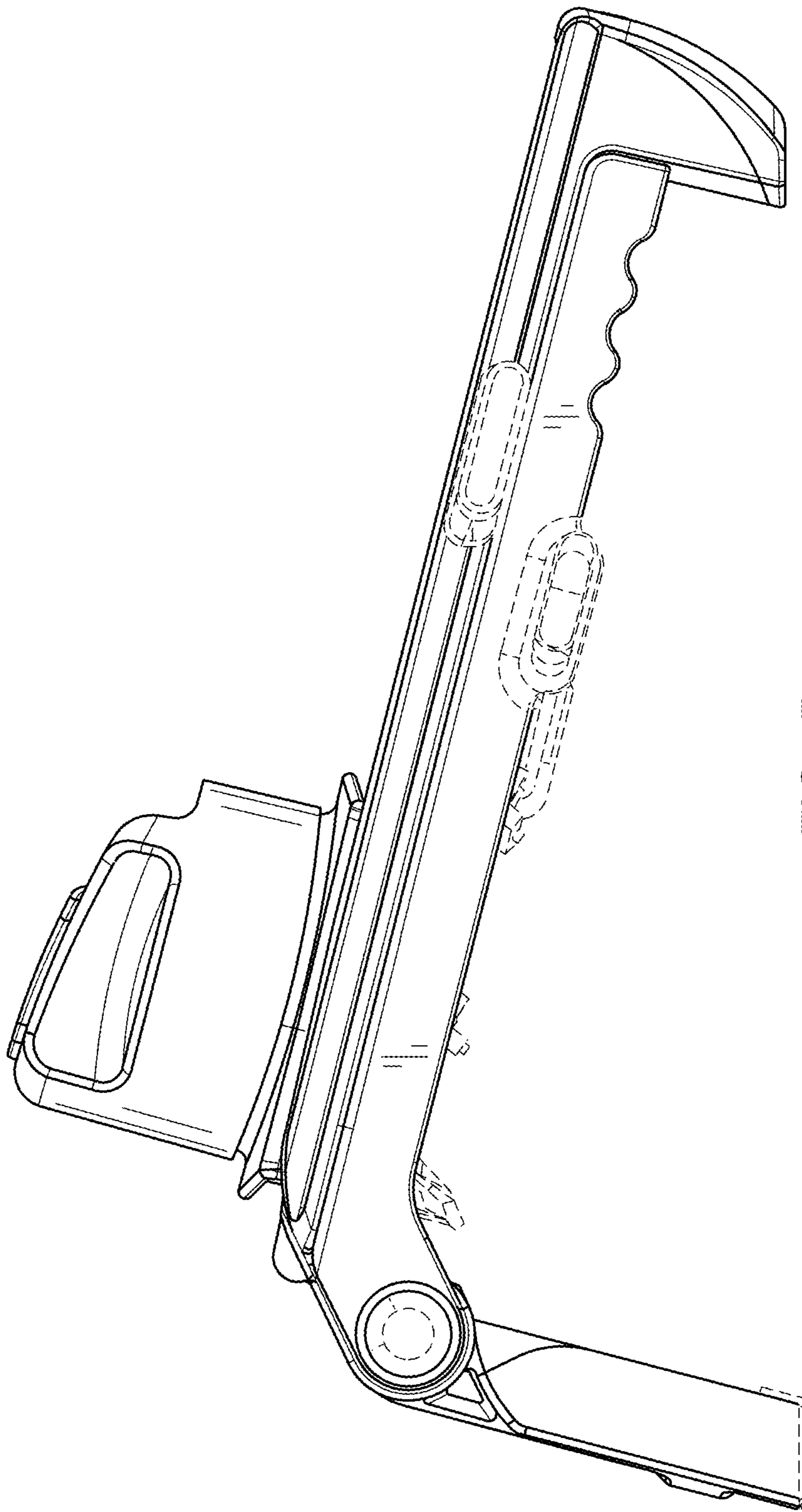


FIG. 5

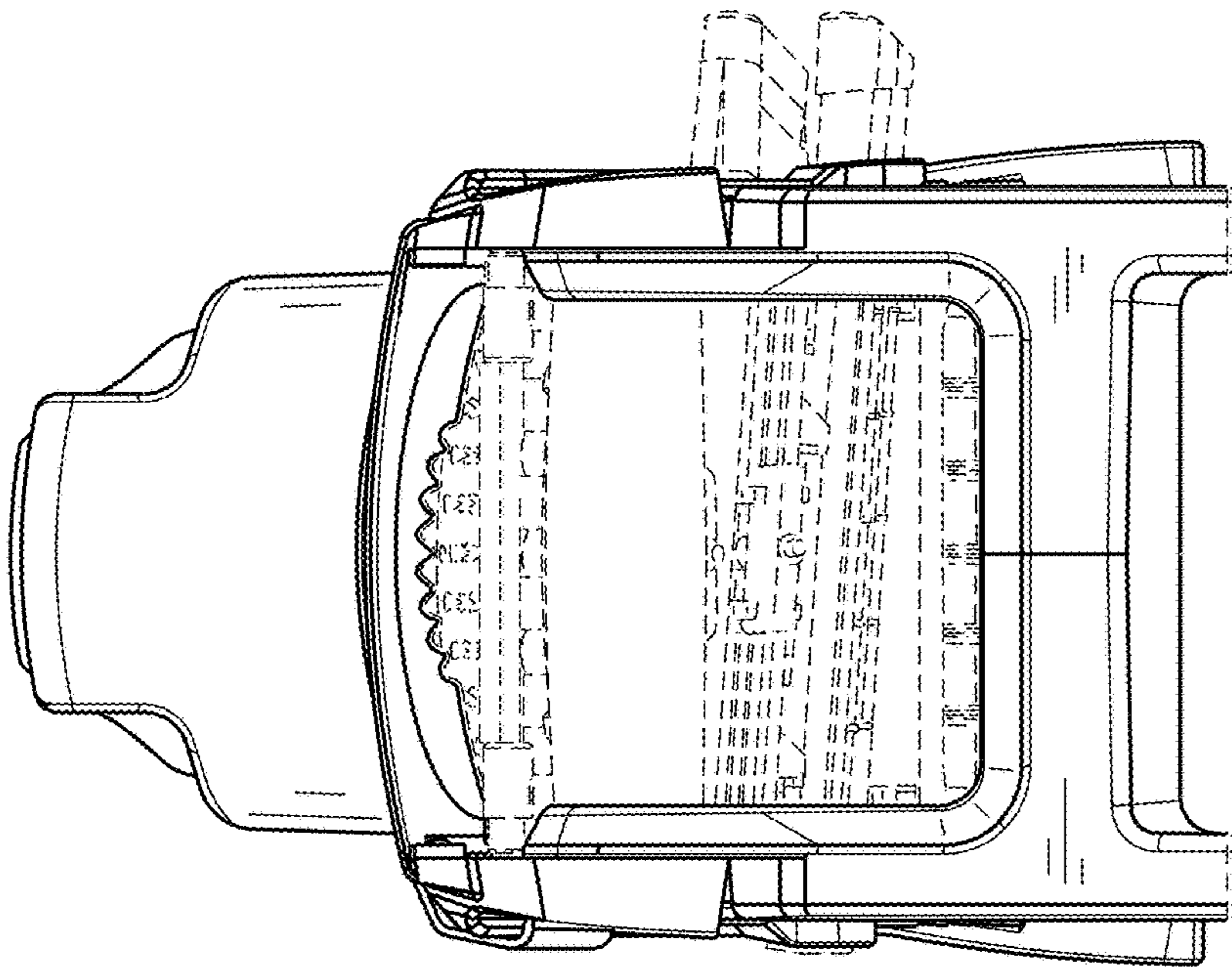


FIG. 6



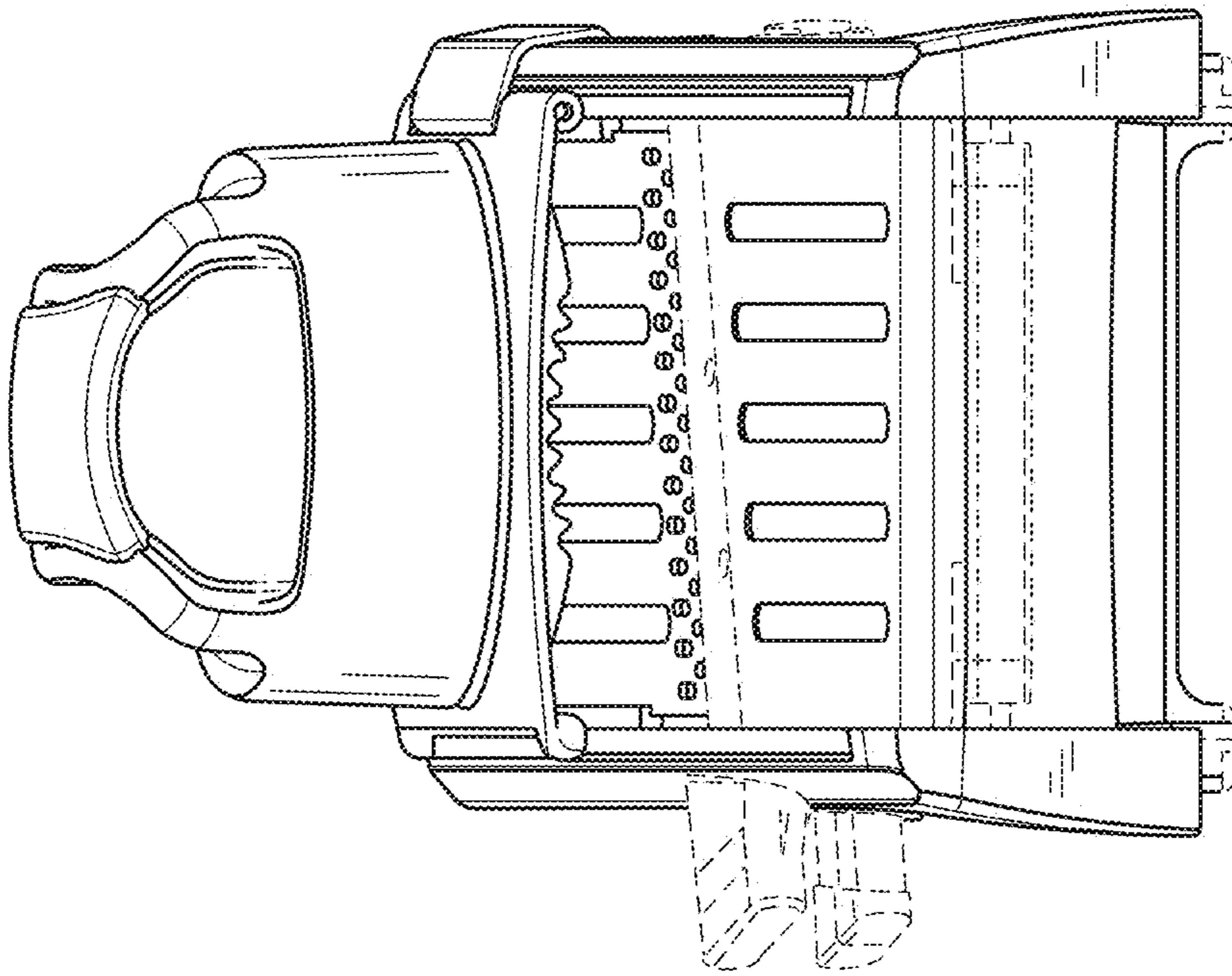


FIG. 7