



US00D829510S

(12) **United States Design Patent**
Harms

(10) **Patent No.:** **US D829,510 S**
(45) **Date of Patent:** **** Oct. 2, 2018**

(54) **CHILLED BOTTLE STAND**

D695,987 S * 12/2013 Starr D7/619.1

(71) Applicant: **Cigdem Harms**, Las Vegas, NV (US)

* cited by examiner

(72) Inventor: **Cigdem Harms**, Las Vegas, NV (US)

Primary Examiner — Terry A Wallace

(74) *Attorney, Agent, or Firm* — Ronald C. Gorsche

(**) Term: **15 Years**

(57) **CLAIM**

(21) Appl. No.: **29/624,344**

The ornamental design for a chilled bottle stand, as shown and described.

(22) Filed: **Oct. 31, 2017**

DESCRIPTION

Related U.S. Application Data

(63) Continuation-in-part of application No. 14/516,011, filed on Oct. 16, 2014.

(51) **LOC (11) Cl.** **07-01**

(52) **U.S. Cl.**
USPC **D7/603**; D7/619.1

(58) **Field of Classification Search**
USPC D7/603–608, 619.1–625, 701–708
CPC F25D 31/006; F25D 31/007; F25D 2331/803; F25D 2331/805; F25D 3/00; F25D 3/14; F25D 3/08; F25D 2303/083; F25D 2303/0846; F25D 2303/0821; F25D 23/062; A47G 2023/0275; A47G 23/0241; A47G 23/0313; A47G 23/0316; A47G 23/0683

See application file for complete search history.

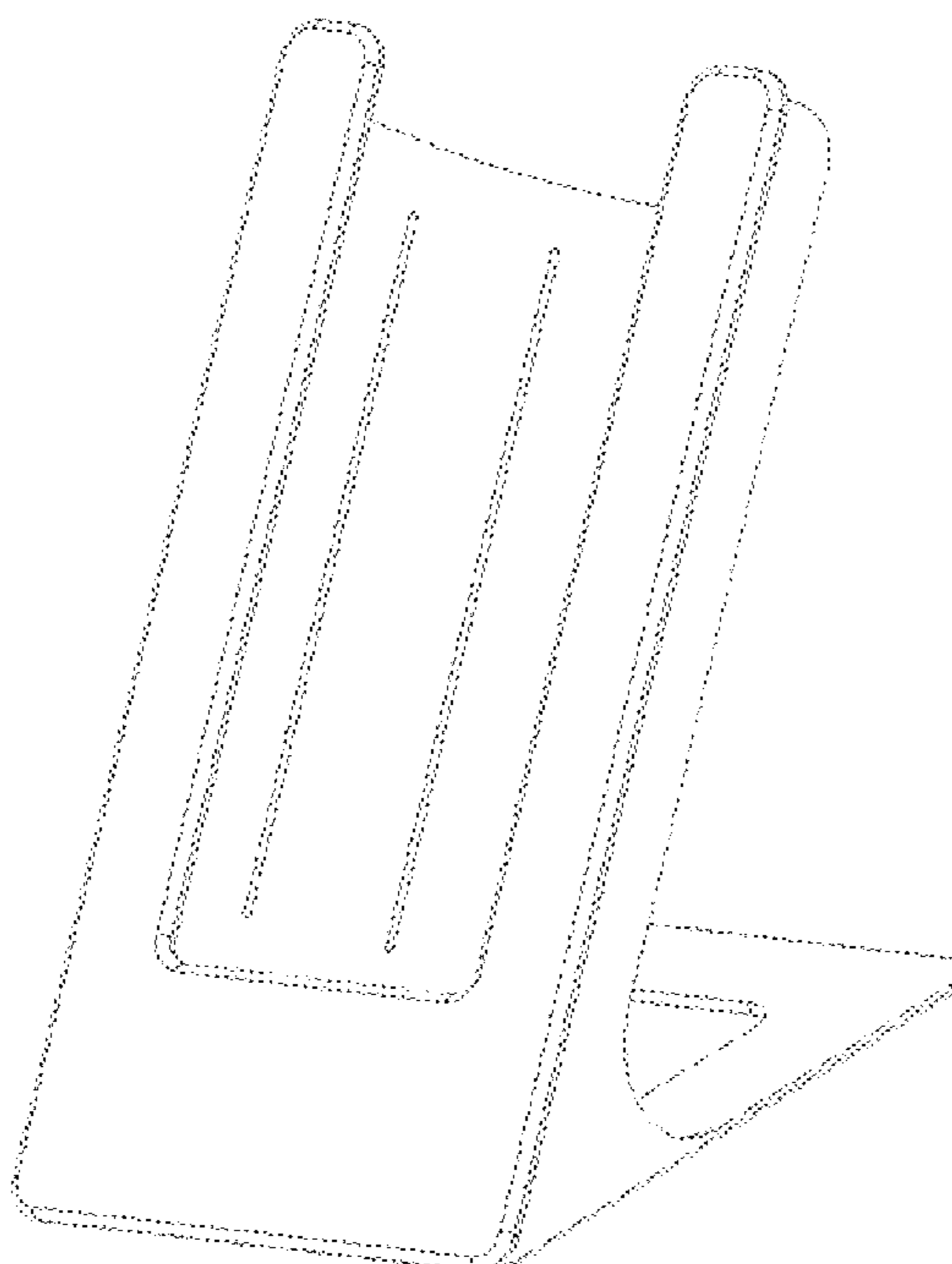
(56) **References Cited**

U.S. PATENT DOCUMENTS

3,434,302 A * 3/1969 Stoner F25D 3/00
62/457.8
8,397,519 B2 * 3/2013 Loibl F25D 31/007
62/3.62

FIG. 1 is a front top perspective view of a chilled bottle stand showing my new ornamental design;
FIG. 2 is a rear top perspective view of the chilled bottle stand shown in FIG. 1;
FIG. 3 is front view of the chilled bottle stand shown in FIG. 1;
FIG. 4 is right side view of the chilled bottle stand shown in FIG. 1;
FIG. 5 is a right side perspective view of the chilled bottle stand shown in FIG. 1;
FIG. 6 is a left side view of the chilled bottle stand shown in FIG. 1;
FIG. 7 is left side perspective view of the chilled bottle stand shown in FIG. 1;
FIG. 8 is a bottom view of the chilled bottle stand shown in FIG. 1;
FIG. 9 is a top view of the chilled bottle stand shown in FIG. 1;
FIG. 10 is a front exploded view of the chilled bottle stand shown in FIG. 1; and,
FIG. 11 is rear exploded view of the chilled bottle stand shown in FIG. 1.

1 Claim, 8 Drawing Sheets



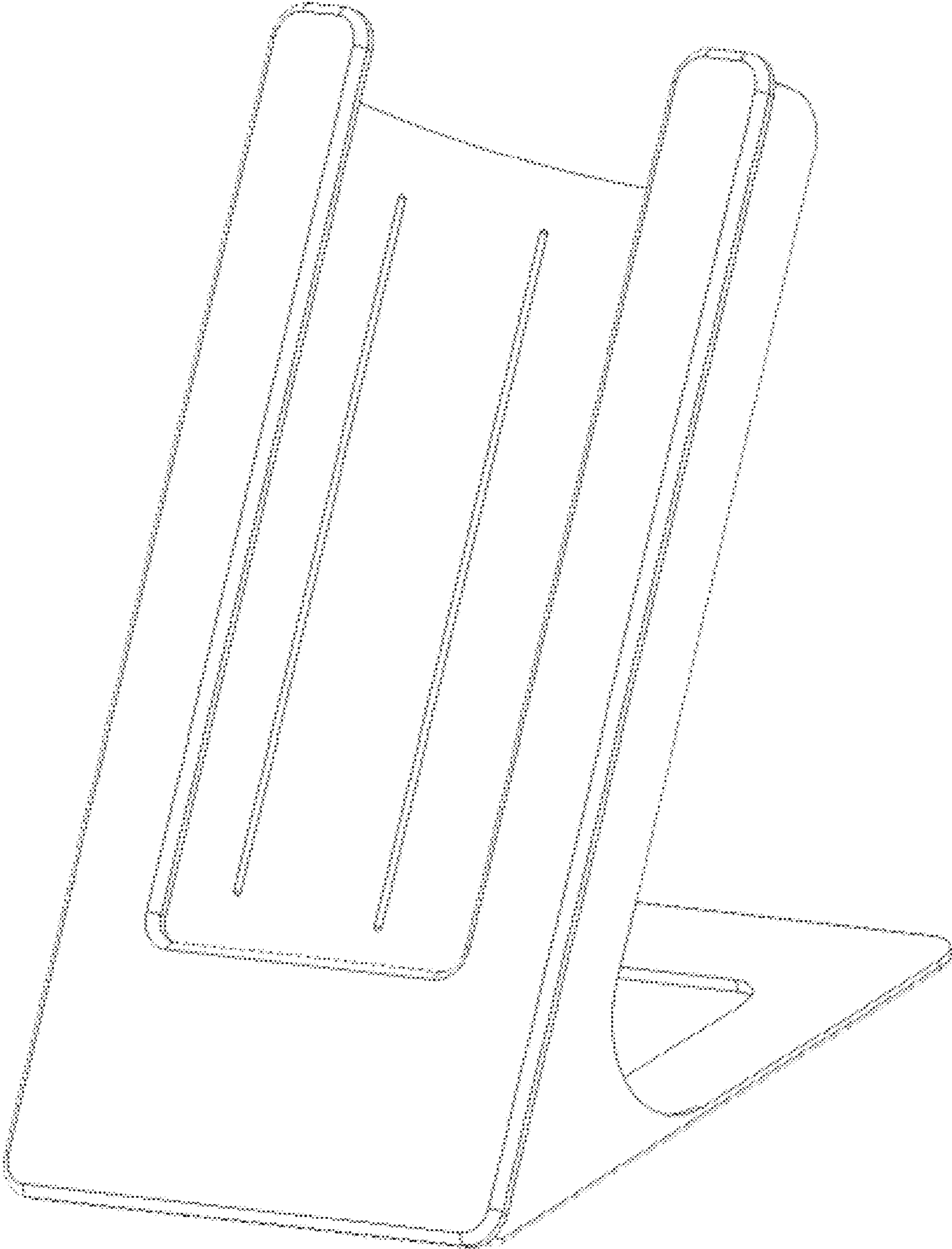


FIG. 1

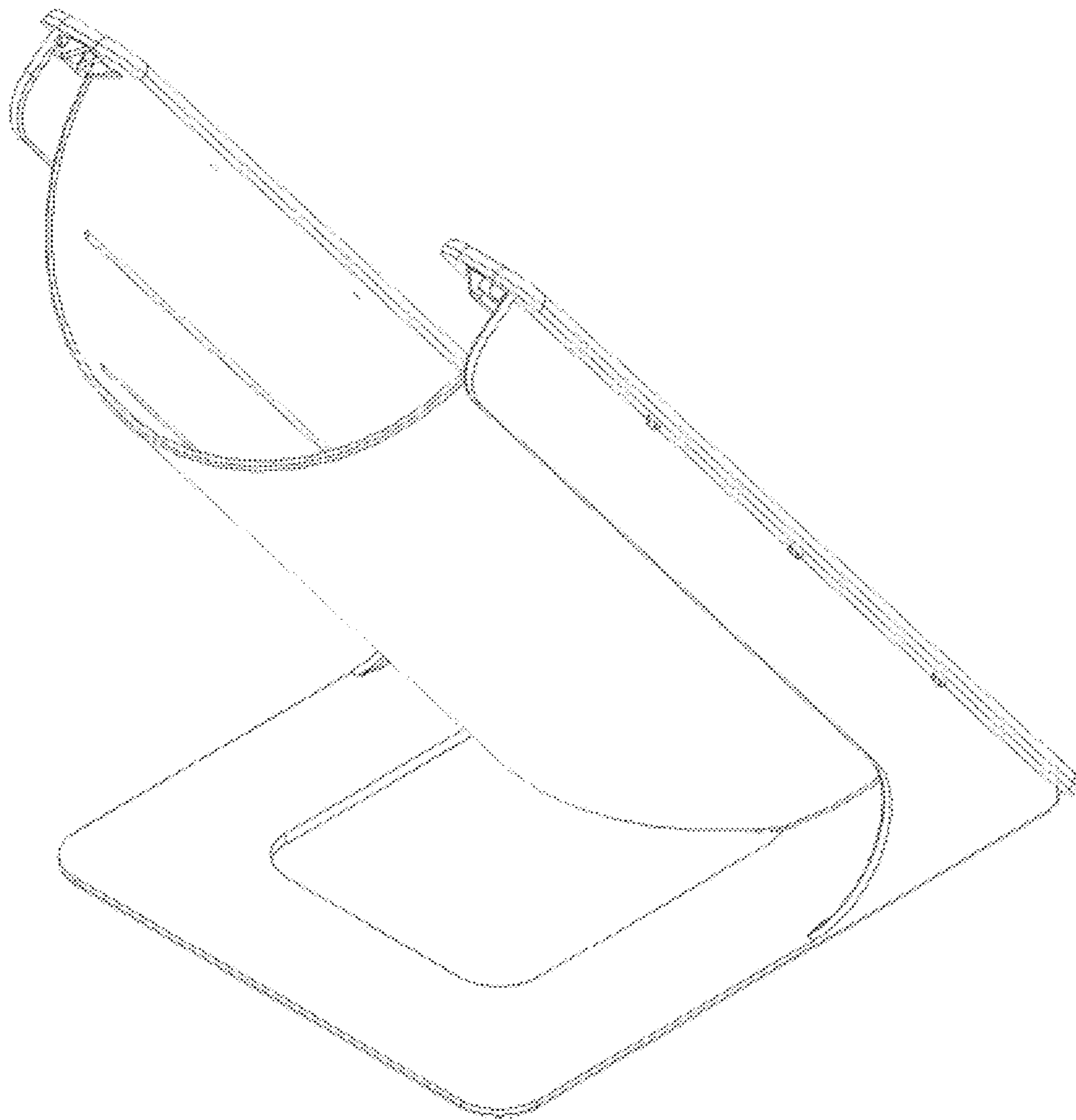


FIG. 2

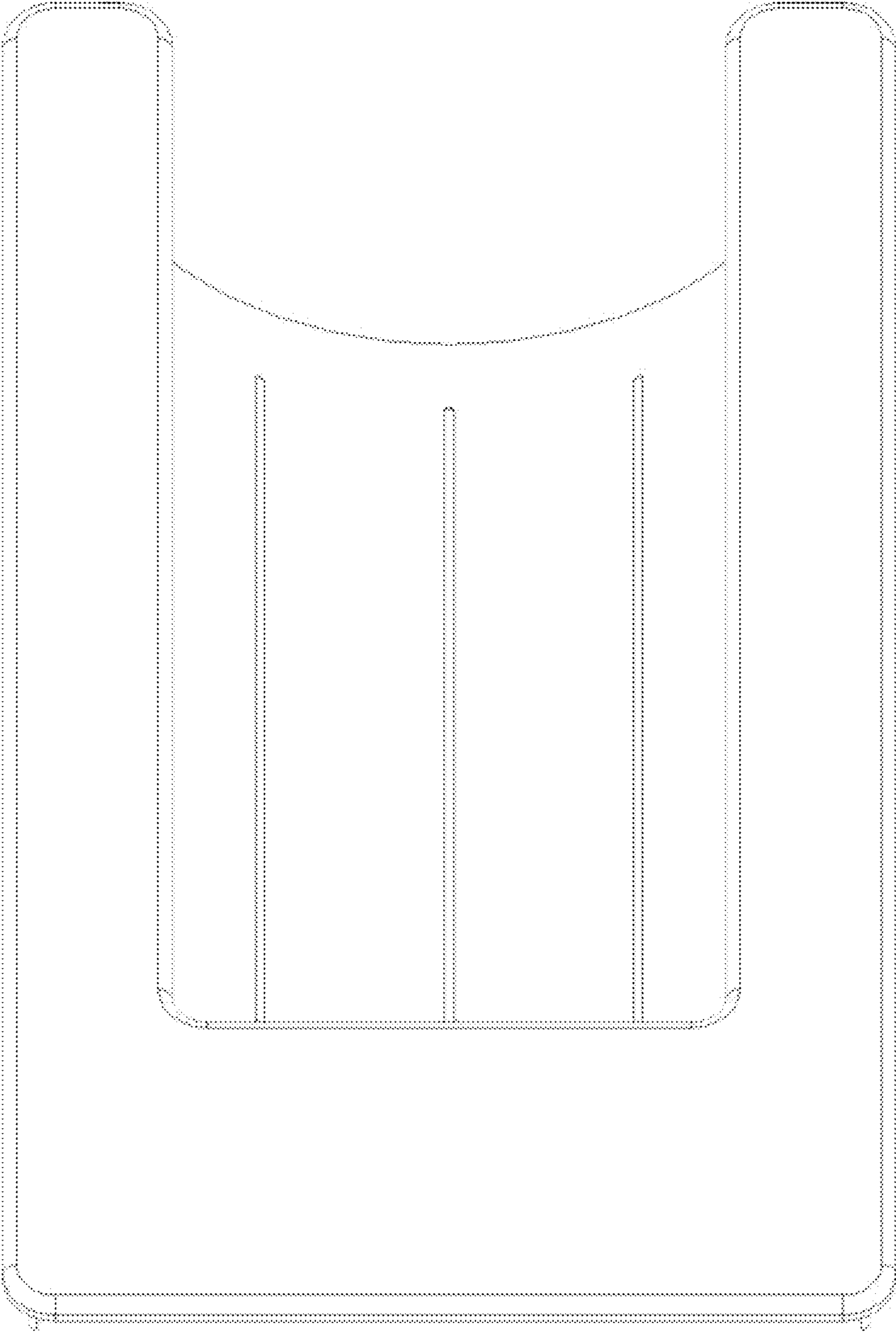


FIG. 3

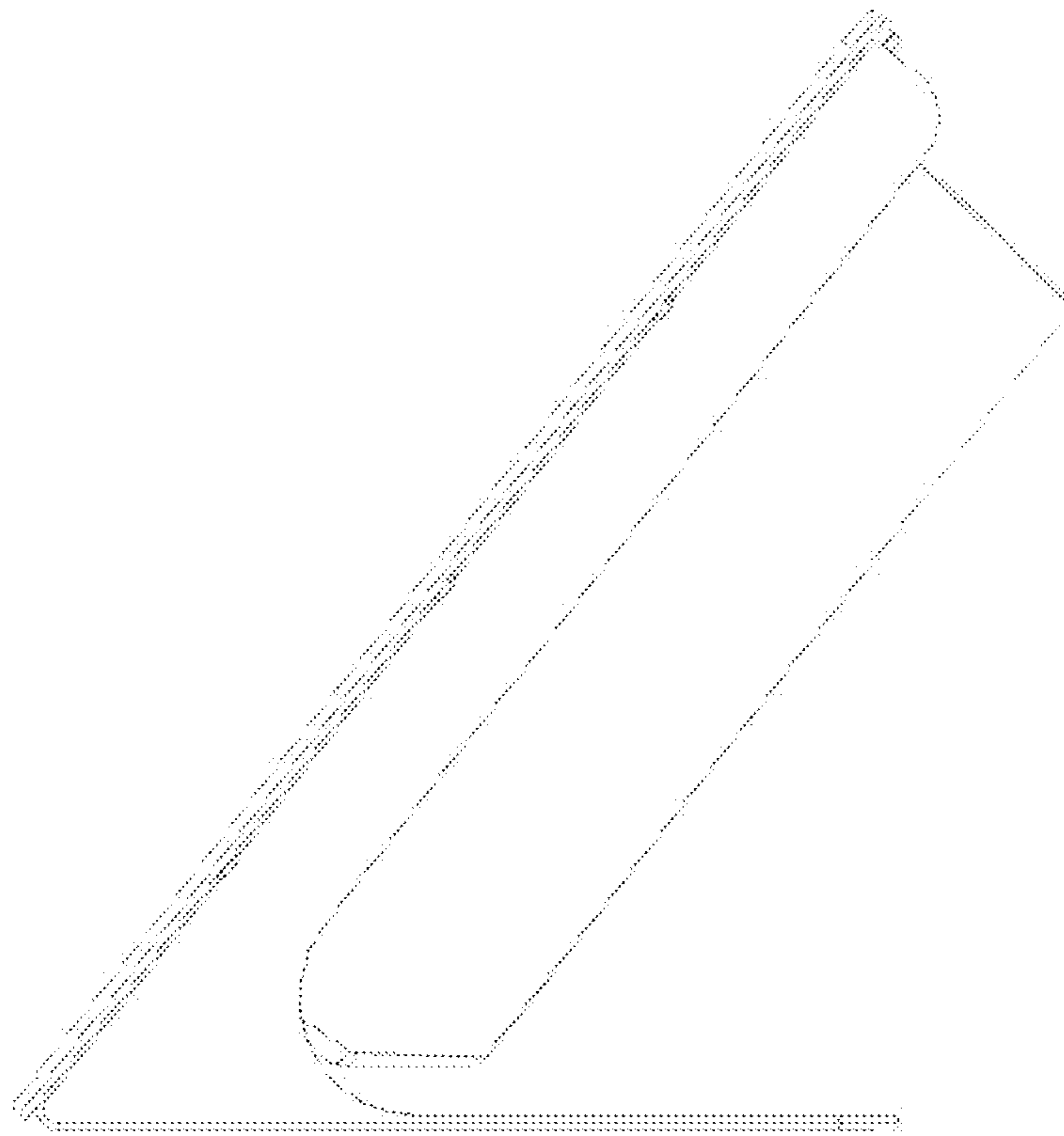


FIG. 4

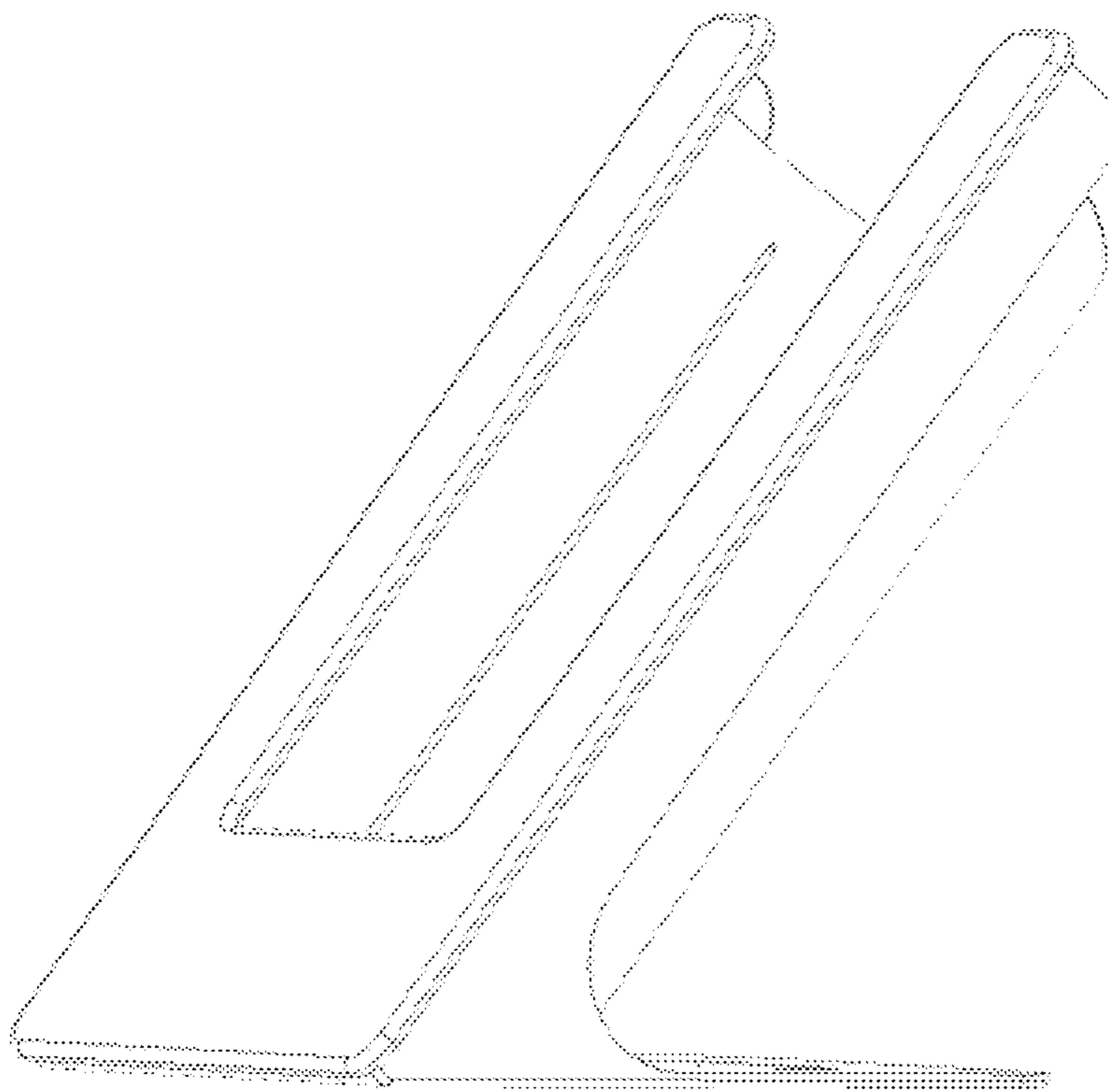


FIG. 5

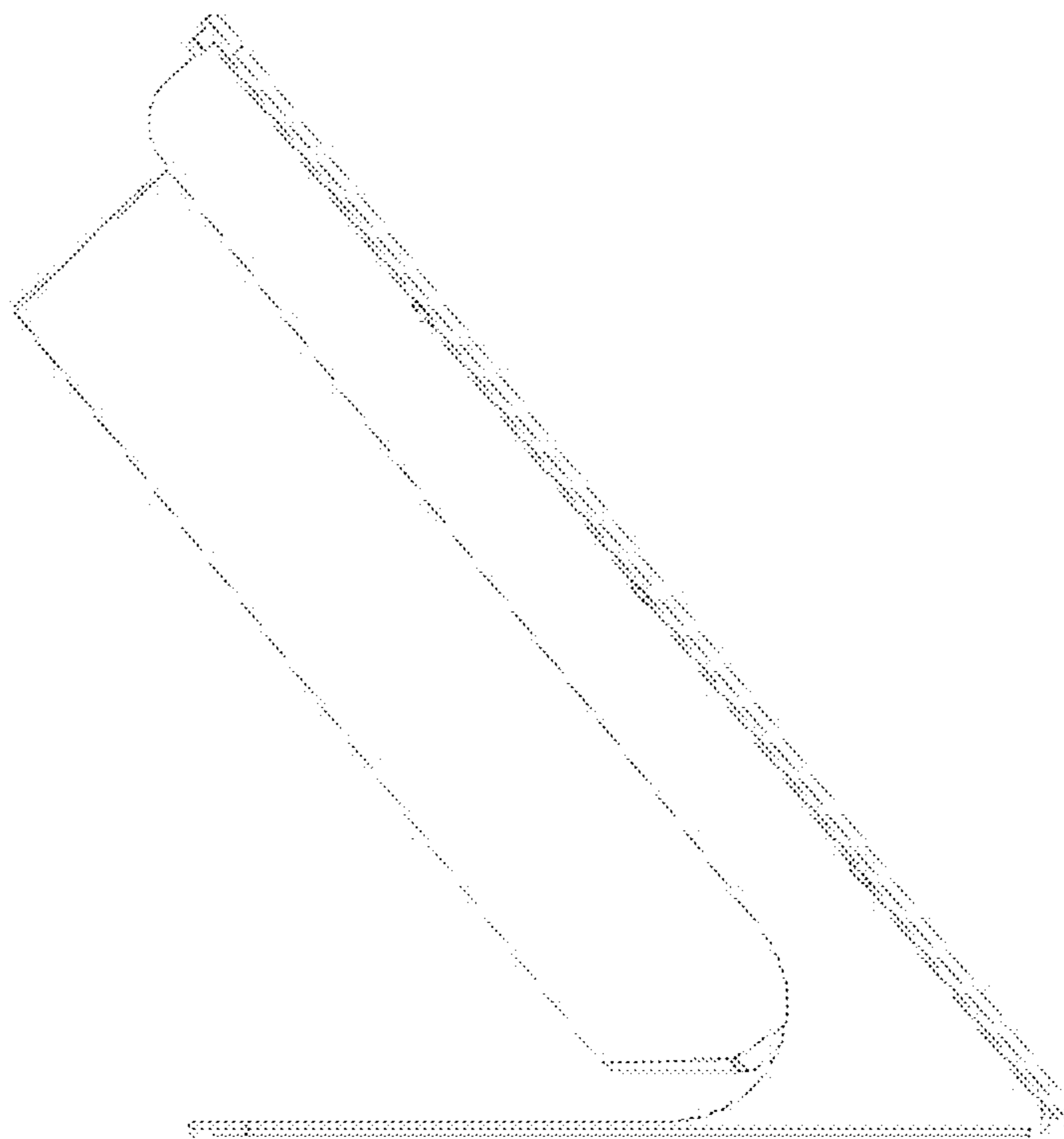


FIG. 6

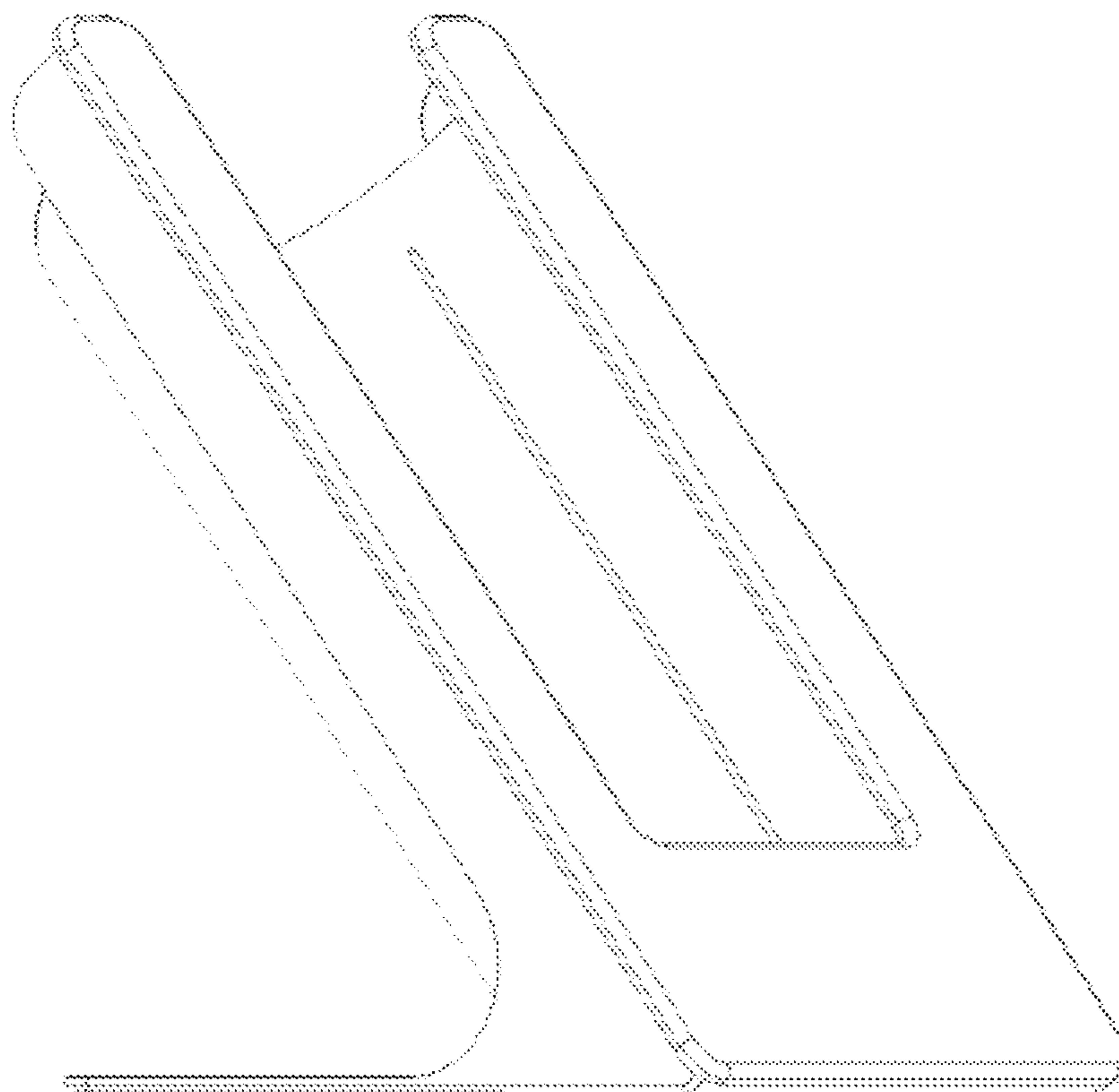


FIG. 7

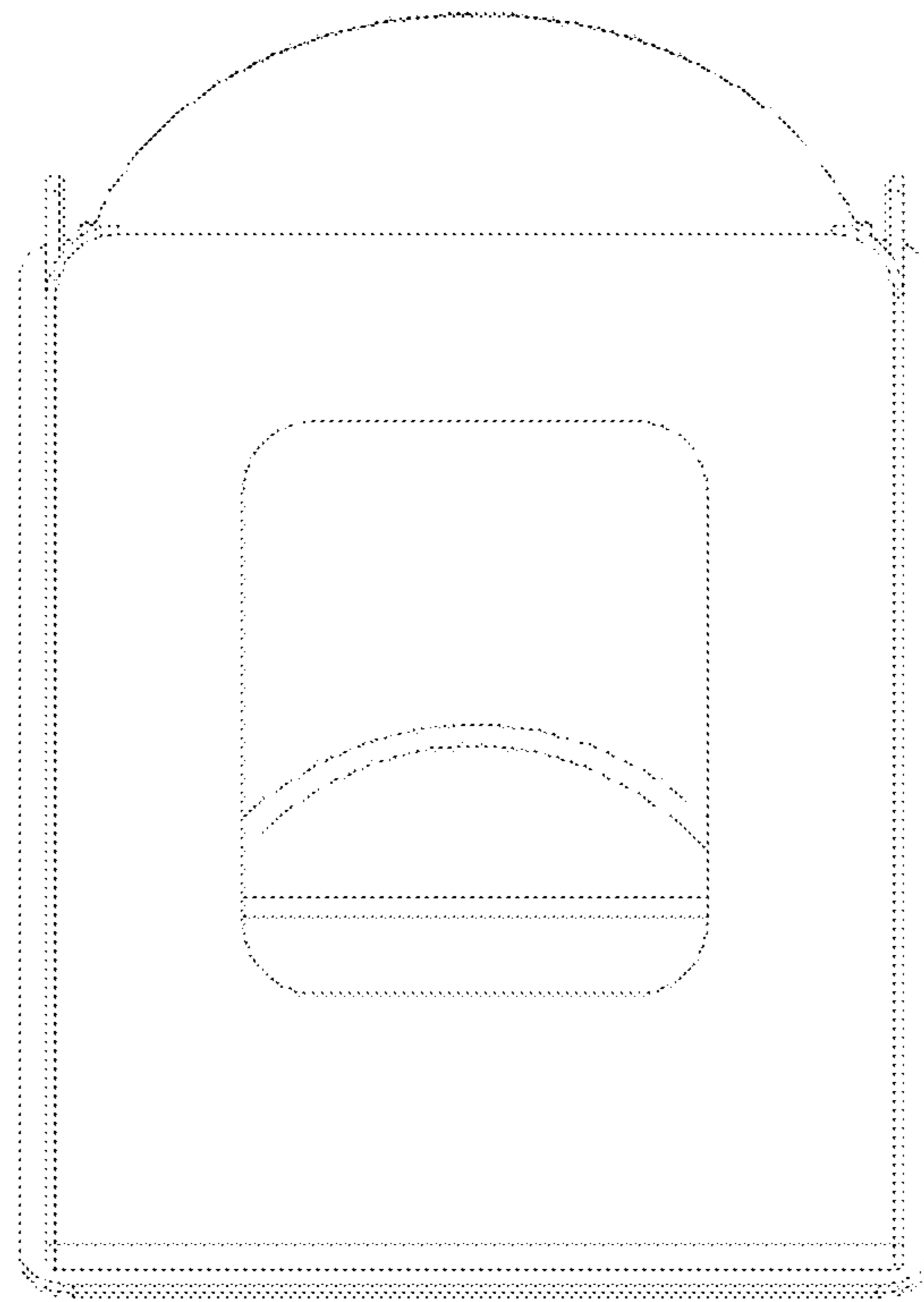


FIG. 8

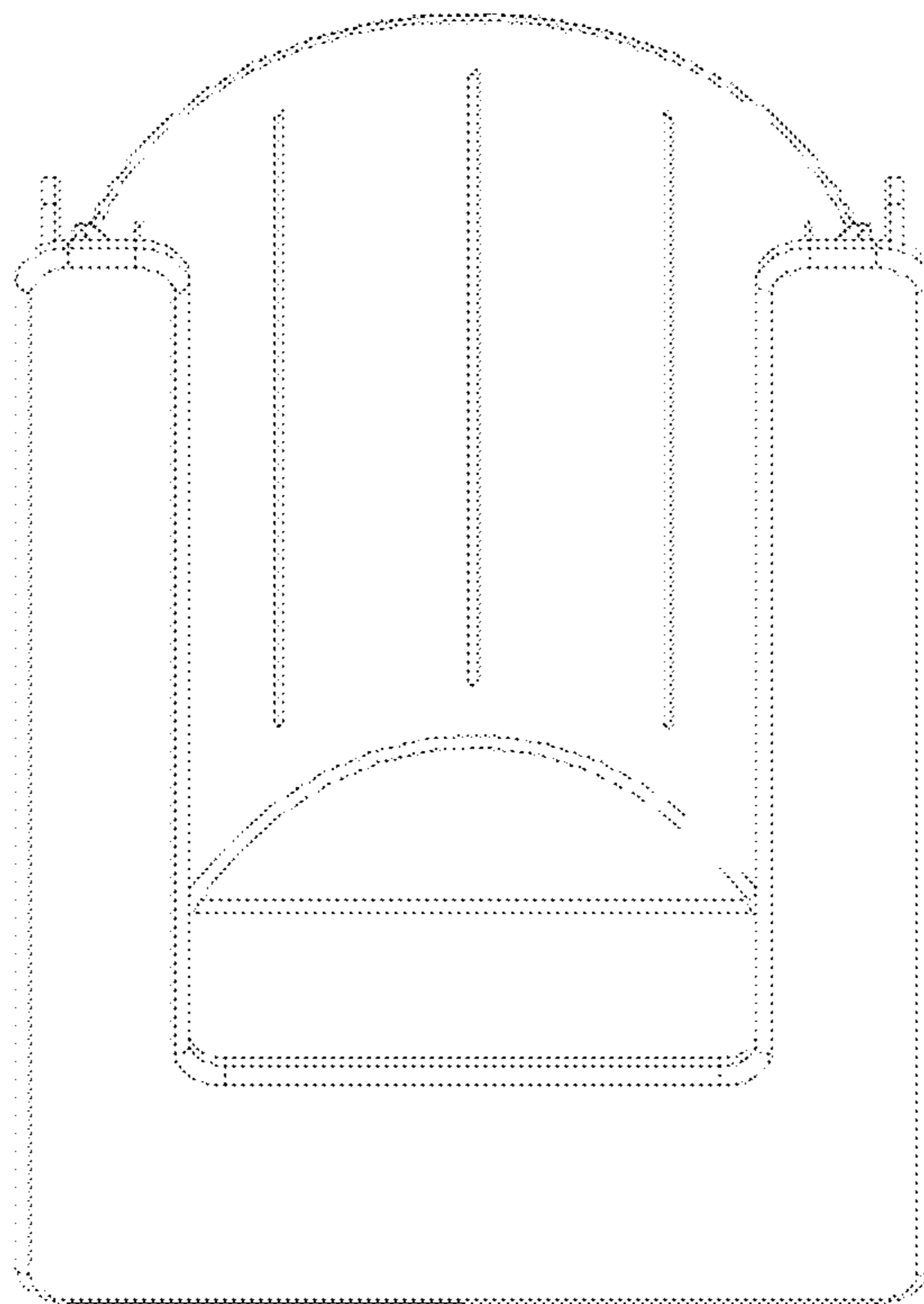


FIG. 9

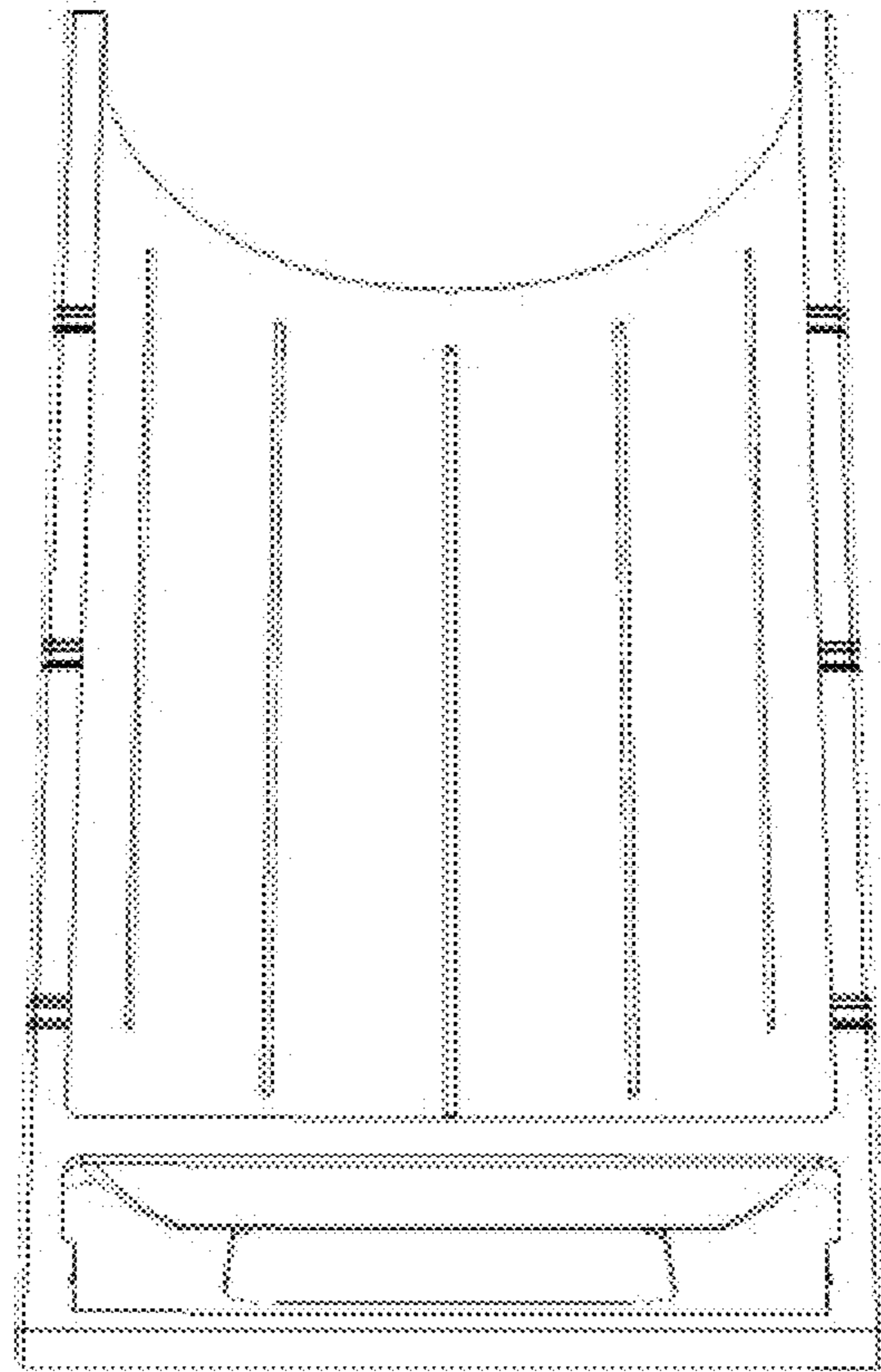
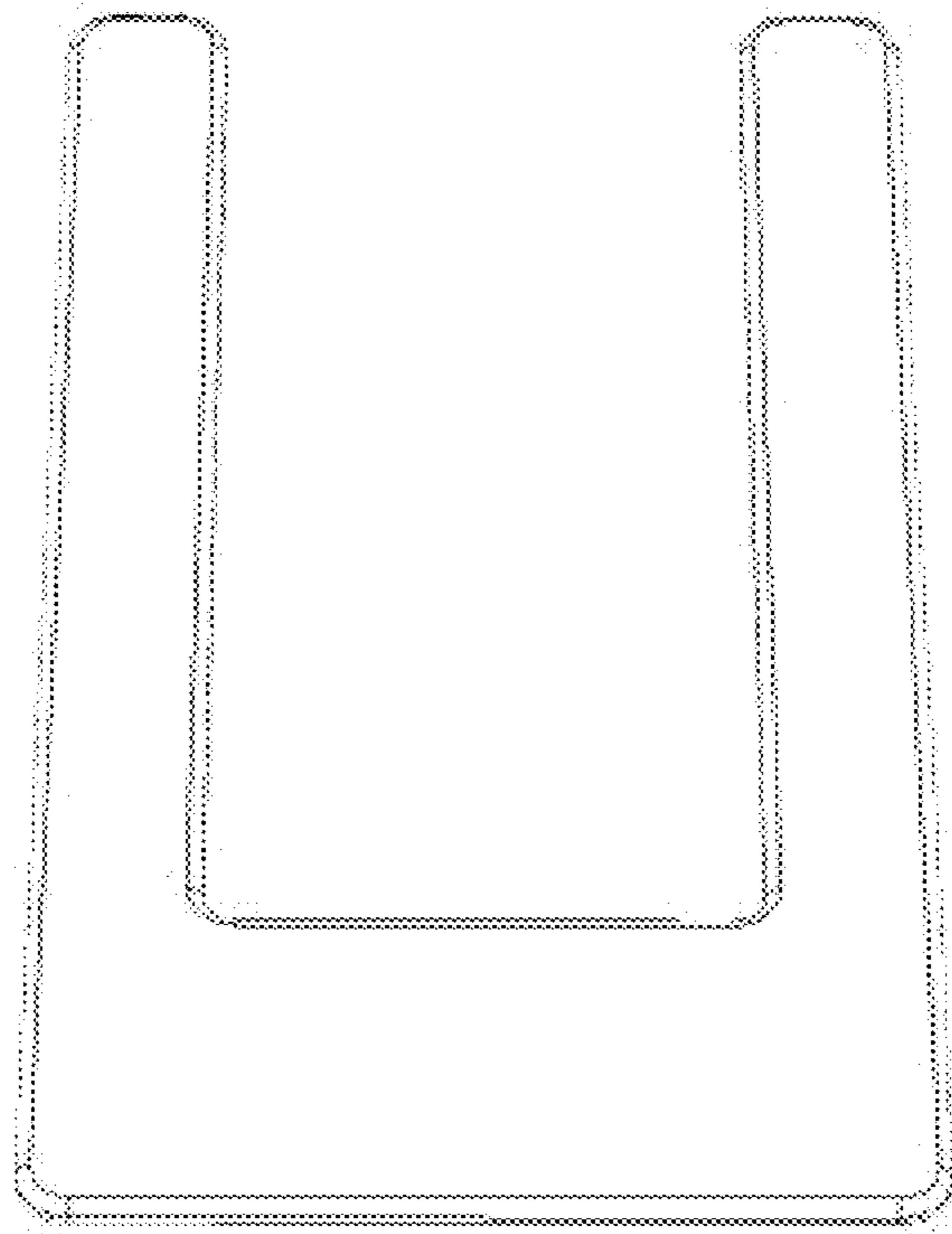


FIG.10

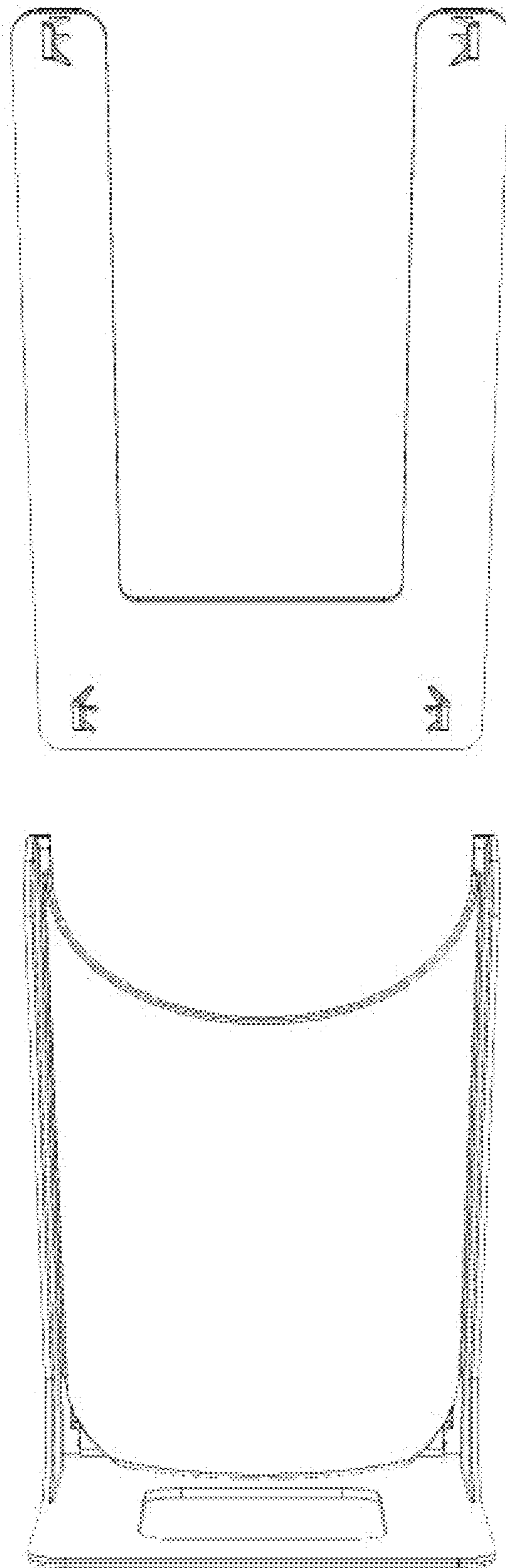


FIG.11