



US00D829509S

(12) **United States Design Patent**
Malak

(10) **Patent No.:** **US D829,509 S**

(45) **Date of Patent:** **** Oct. 2, 2018**

(54) **FOOD TRAY**

(71) Applicant: **Edmond Malak**, Auburn, CA (US)

(72) Inventor: **Edmond Malak**, Auburn, CA (US)

(**) Term: **15 Years**

(21) Appl. No.: **29/613,388**

(22) Filed: **Aug. 9, 2017**

(51) **LOC (11) Cl.** **07-01**

(52) **U.S. Cl.**
USPC **D7/553.1**

(58) **Field of Classification Search**

USPC D7/500, 505, 541-543, 545, 546, 549,
D7/550.1, 552.1, 553.1, 553.2, 553.6,
D7/554.2; D9/424, 761

CPC ... B65D 1/34; B65D 1/36; B65D 1/00; B65D
5/00; B65D 21/00; B65D 2501/24554

See application file for complete search history.

(56) **References Cited**

U.S. PATENT DOCUMENTS

D185,911 S *	8/1959	Chadbourne	A47G 19/02
				D7/555
D195,523 S *	6/1963	Patton, Jr.	D7/555
D426,110 S *	6/2000	Schmidt	D7/549
D461,406 S *	8/2002	Iacovelli	D9/432
D568,687 S *	5/2008	Lovett	D7/553.3
D573,409 S *	7/2008	Lovett	D7/553.3
D610,876 S *	3/2010	Busby	D7/554.2
D612,211 S *	3/2010	Busby	D7/554.3
D651,047 S *	12/2011	Johnson	D7/553.1
D729,588 S *	5/2015	Breton	D7/553.2
D734,098 S *	7/2015	Breton	D7/553.6

D737,633 S *	9/2015	Breton	D7/553.6
D745,807 S *	12/2015	Harris	D7/553.2
D770,856 S *	11/2016	Li	D7/553.2
D802,368 S *	11/2017	Peng	D7/553.2

* cited by examiner

Primary Examiner — Kelley Donnelly

(74) *Attorney, Agent, or Firm* — Quickpatents, LLC;
Kevin Prince

(57) **CLAIM**

I claim the ornamental design for a food tray, as shown and described.

DESCRIPTION

FIG. 1 is a top perspective view of a food tray, showing a first embodiment of my new design;

FIG. 2 is a bottom perspective view of FIG. 1;

FIG. 3 is a top plan view of FIG. 1;

FIG. 4 is a bottom plan view of FIG. 1;

FIG. 5 is a left-side elevational view of FIG. 1, the right-side elevational view being a mirror image thereof;

FIG. 6 is a front elevational view of FIG. 1;

FIG. 7 is a rear elevational view of FIG. 1;

FIG. 8 is a top perspective view of a second embodiment thereof;

FIG. 9 is a bottom perspective view of FIG. 8;

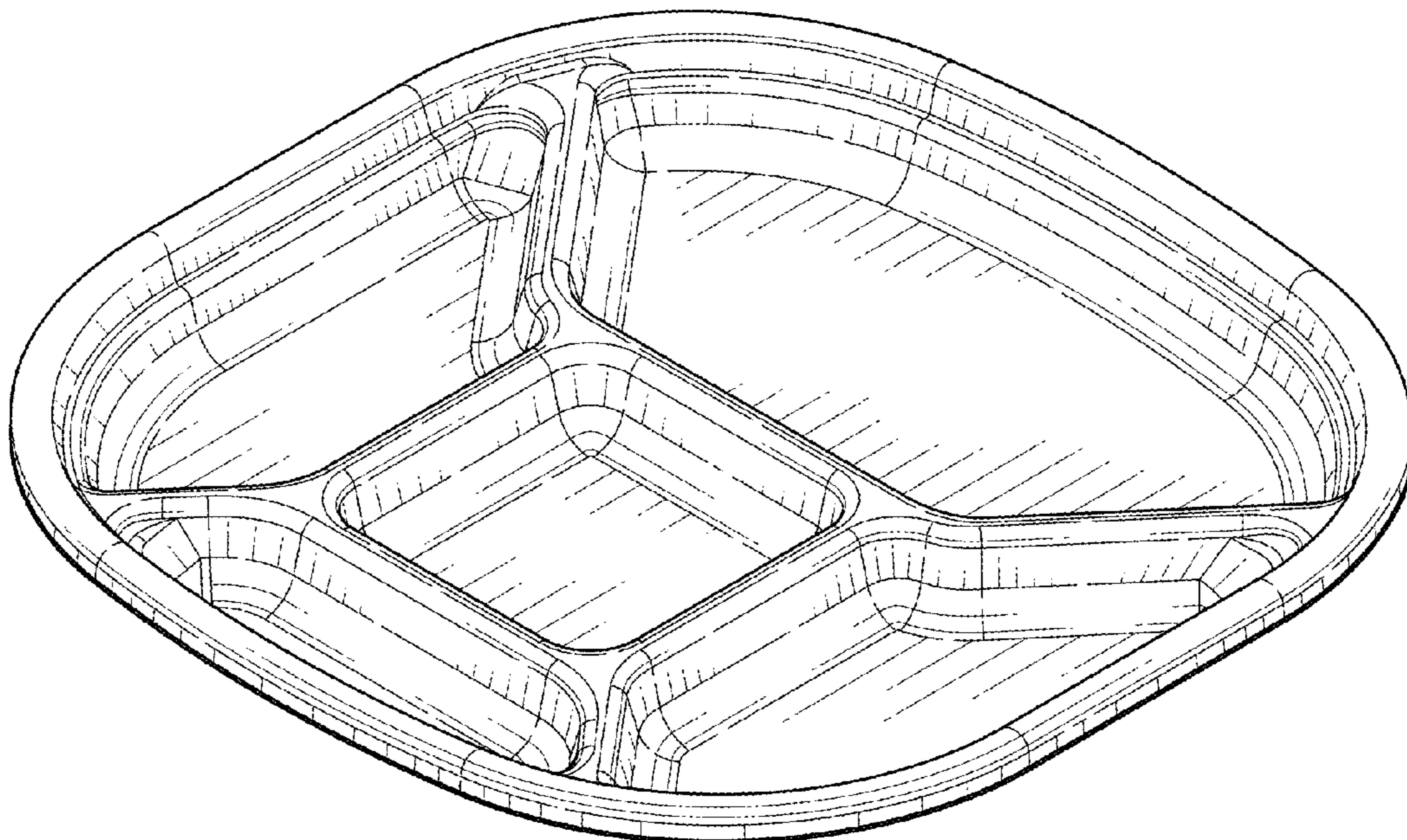
FIG. 10 is a top plan view of FIG. 8;

FIG. 11 is a bottom plan view of FIG. 8;

FIG. 12 is a left-side elevational view of FIG. 8, the right-side elevational view being a mirror image thereof; and,

FIG. 13 is a front elevational view of FIG. 8, the rear elevational view being a mirror image thereof.

1 Claim, 11 Drawing Sheets



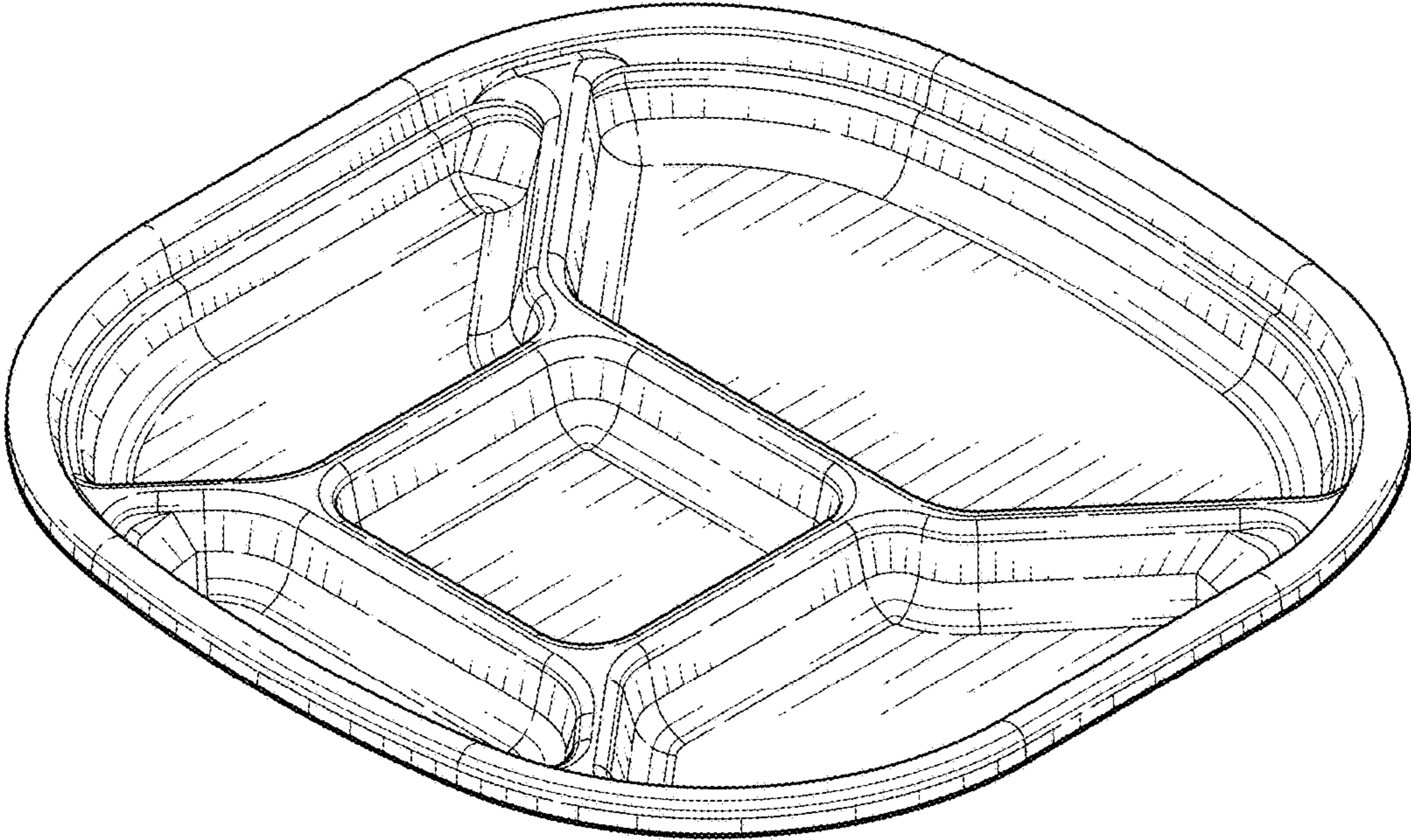


FIG. 1

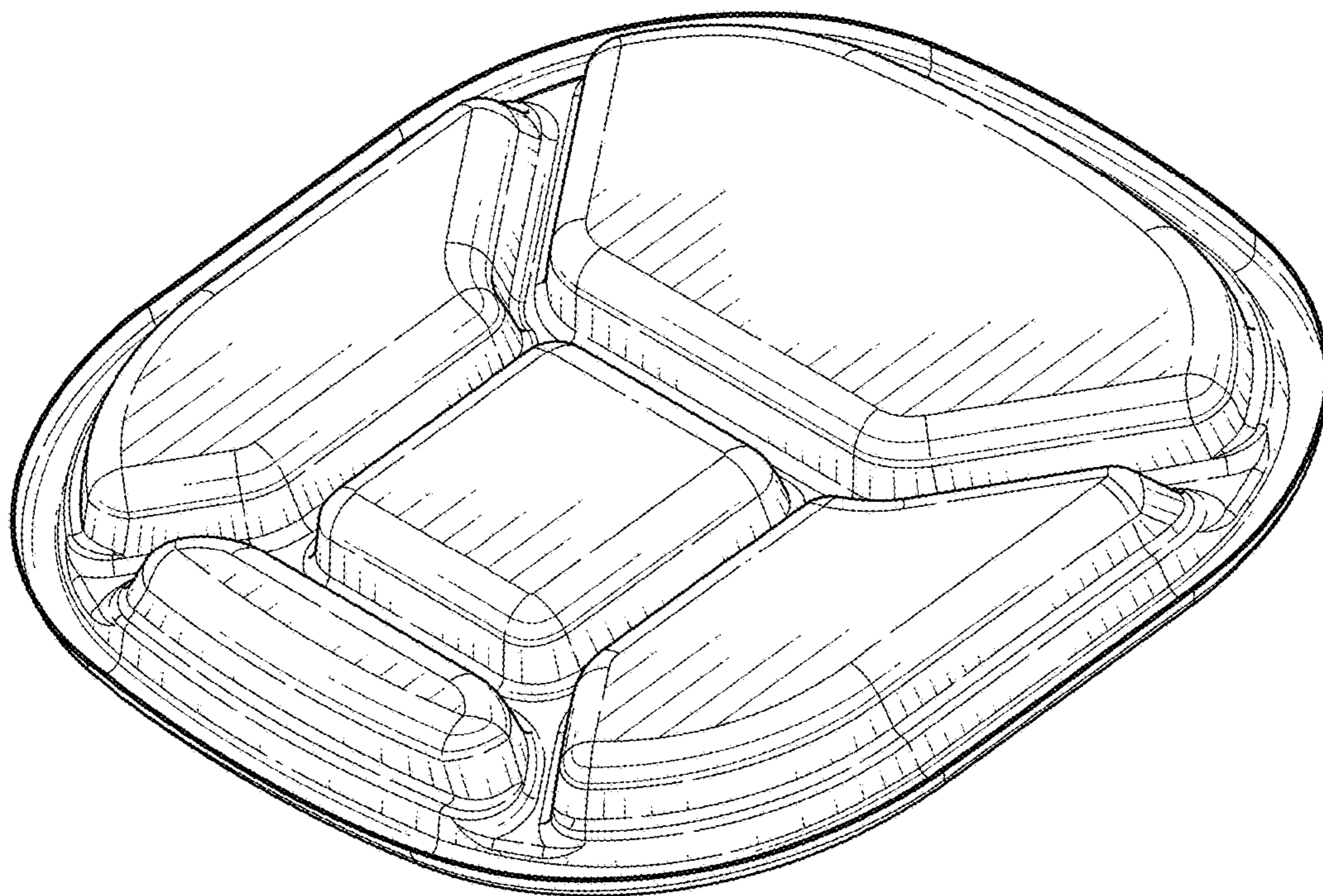


FIG. 2

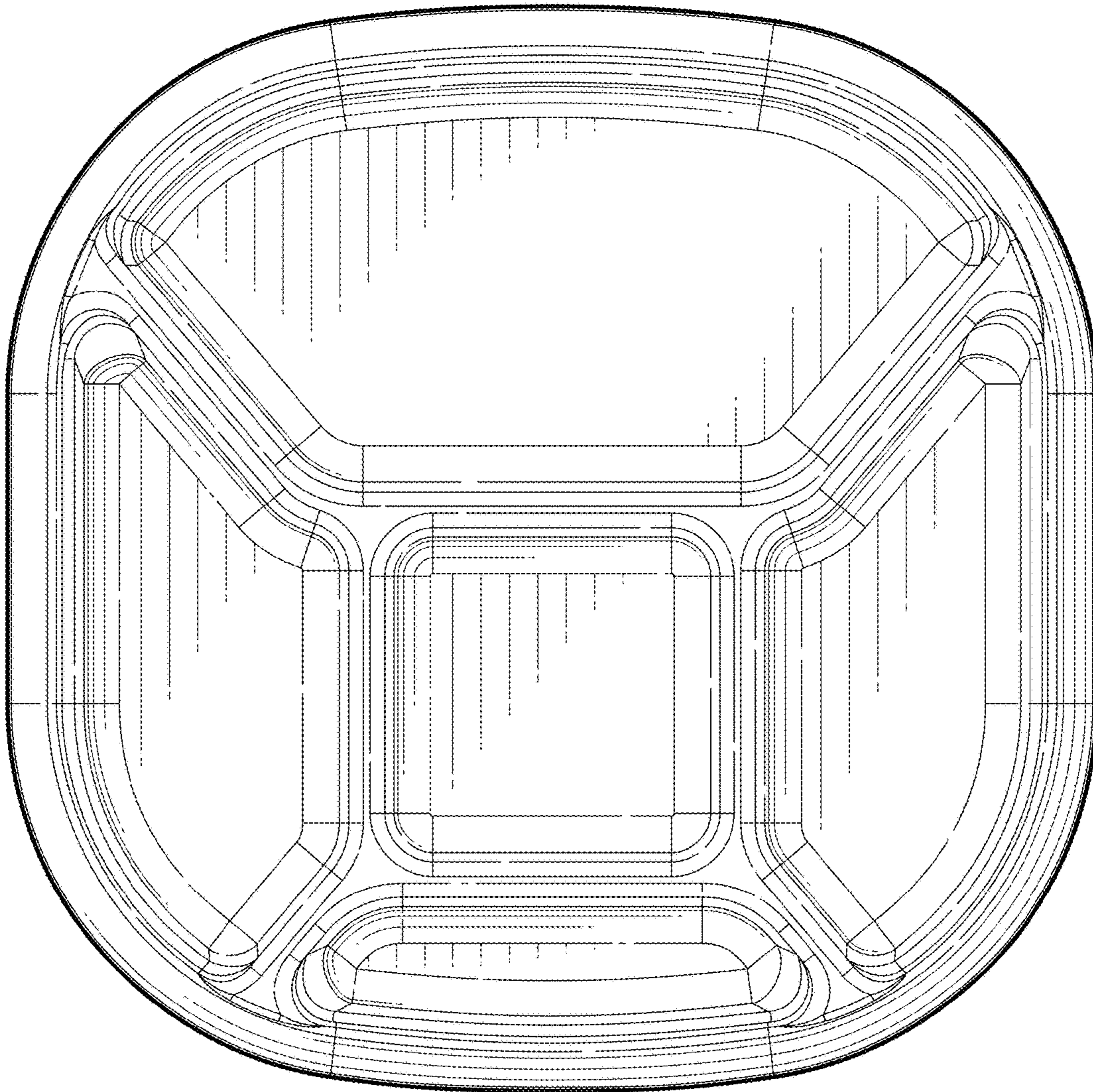


FIG. 3

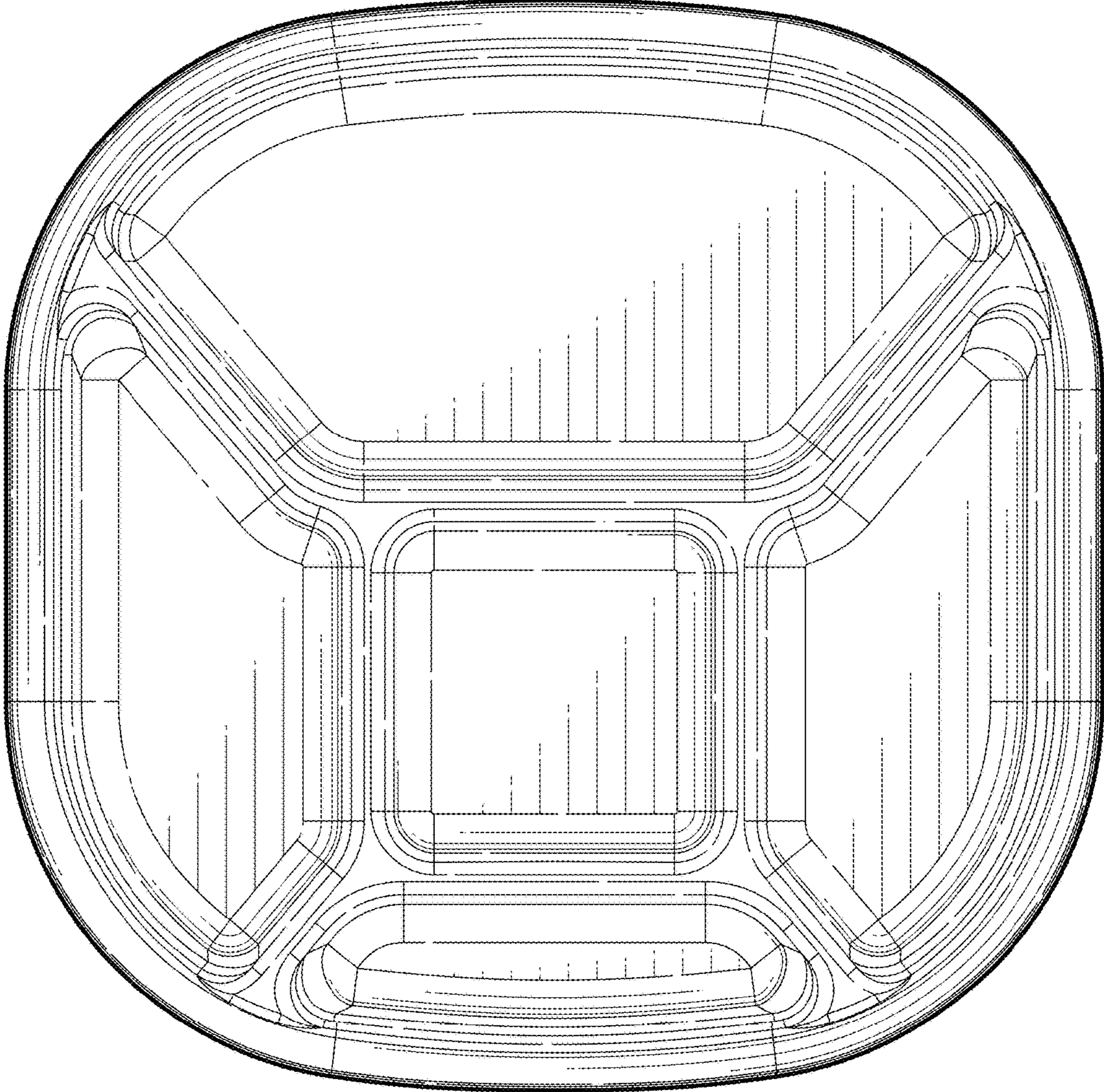


FIG. 4

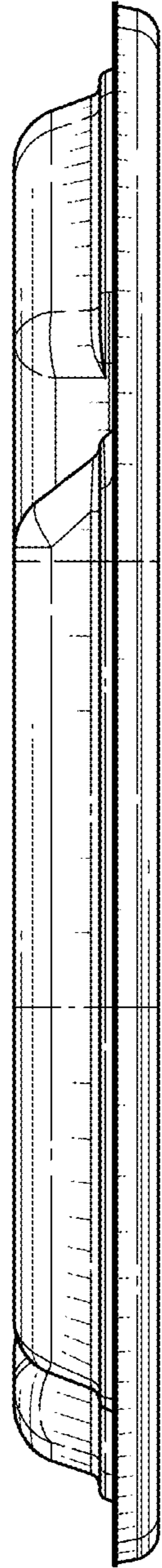


FIG. 5

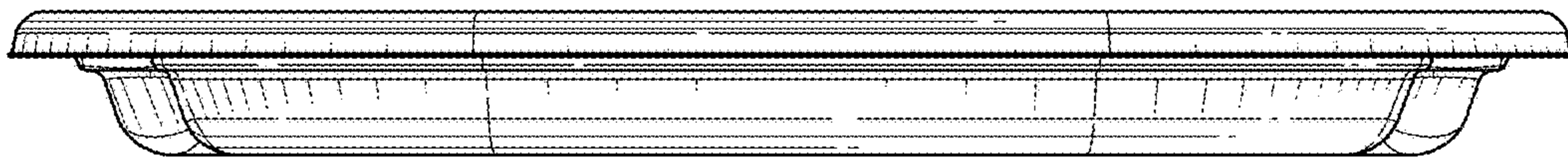


FIG. 6

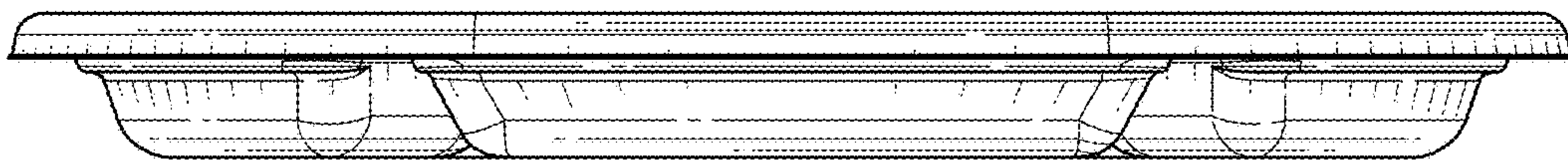


FIG. 7

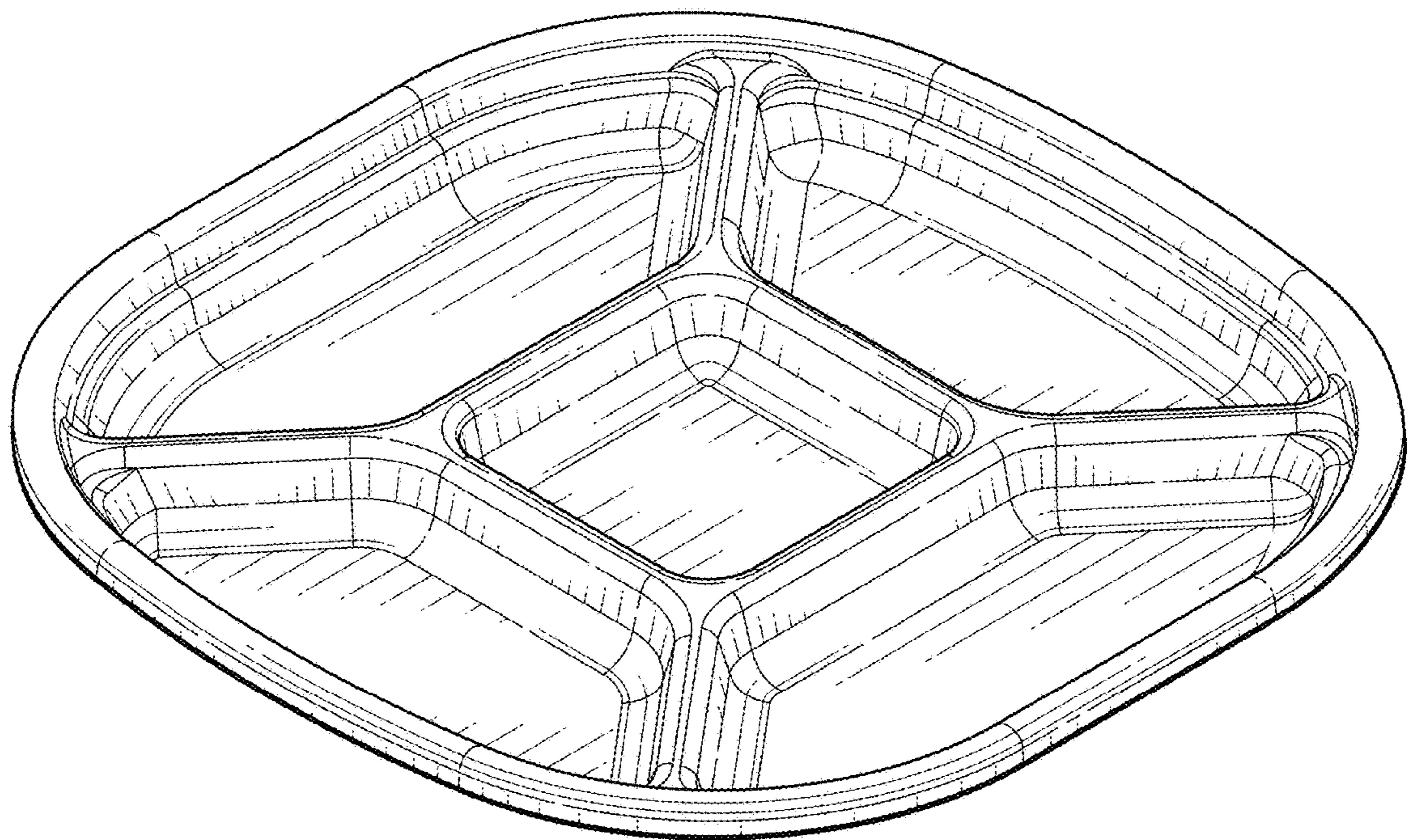


FIG. 8

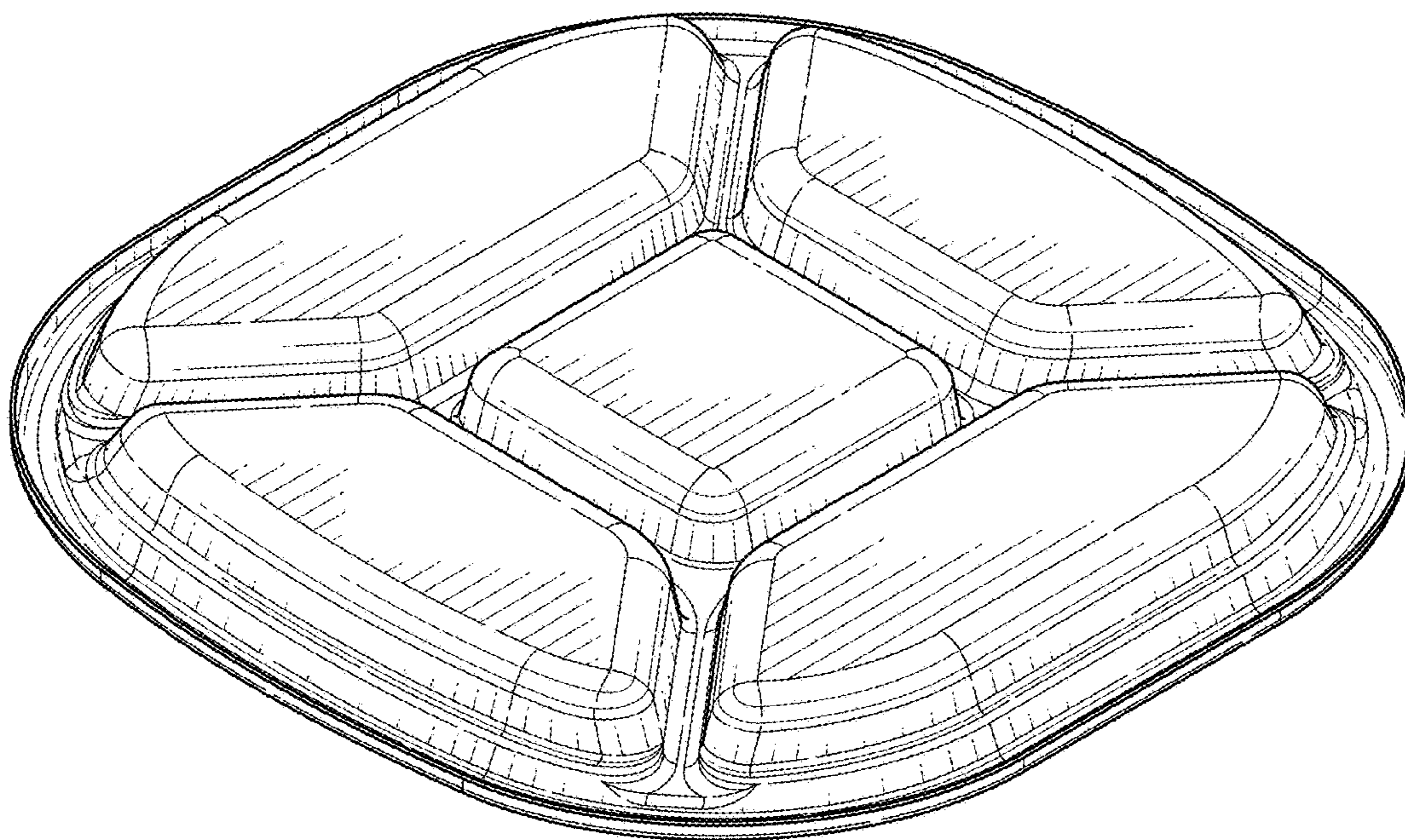


FIG. 9

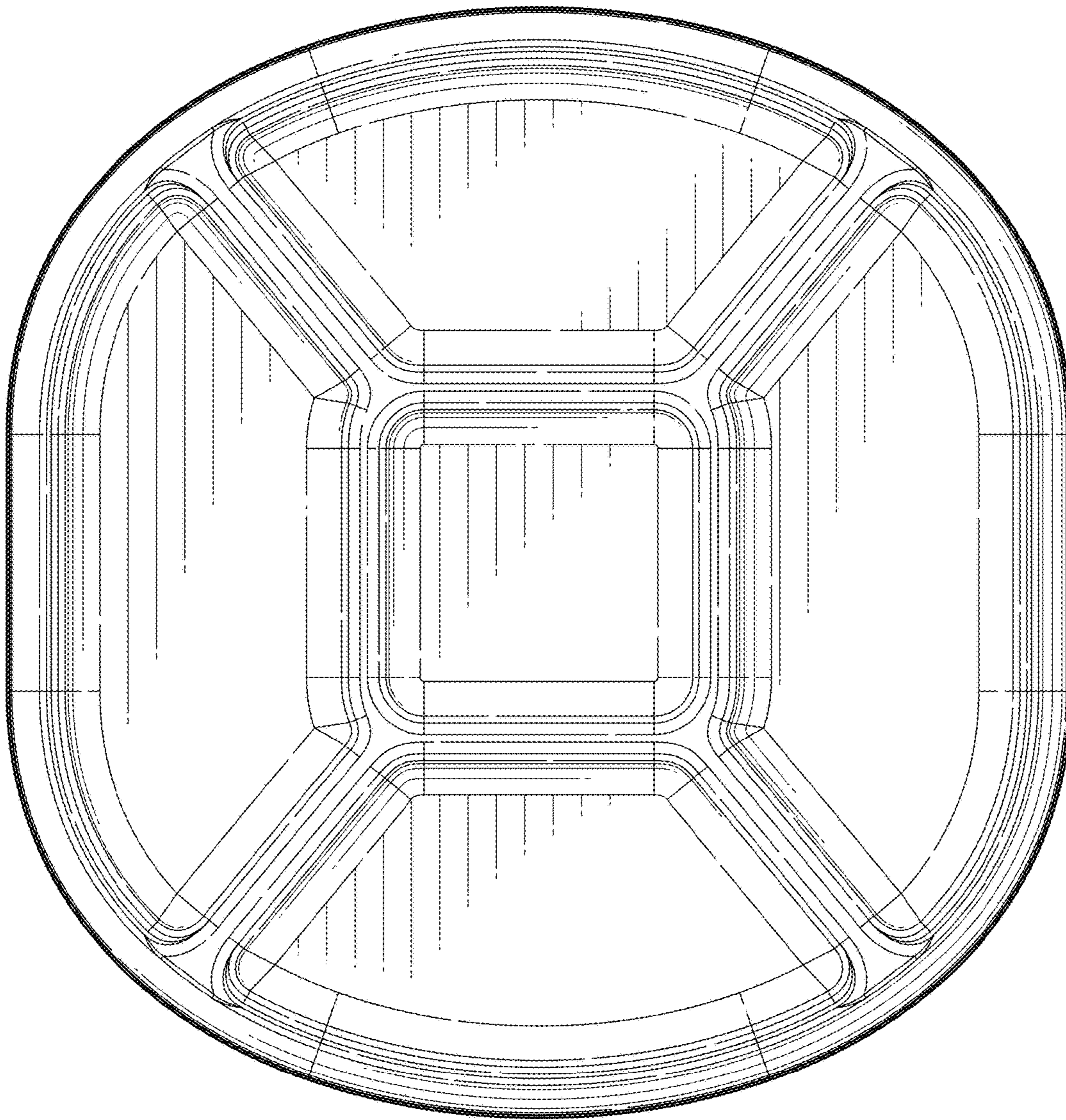


FIG. 10

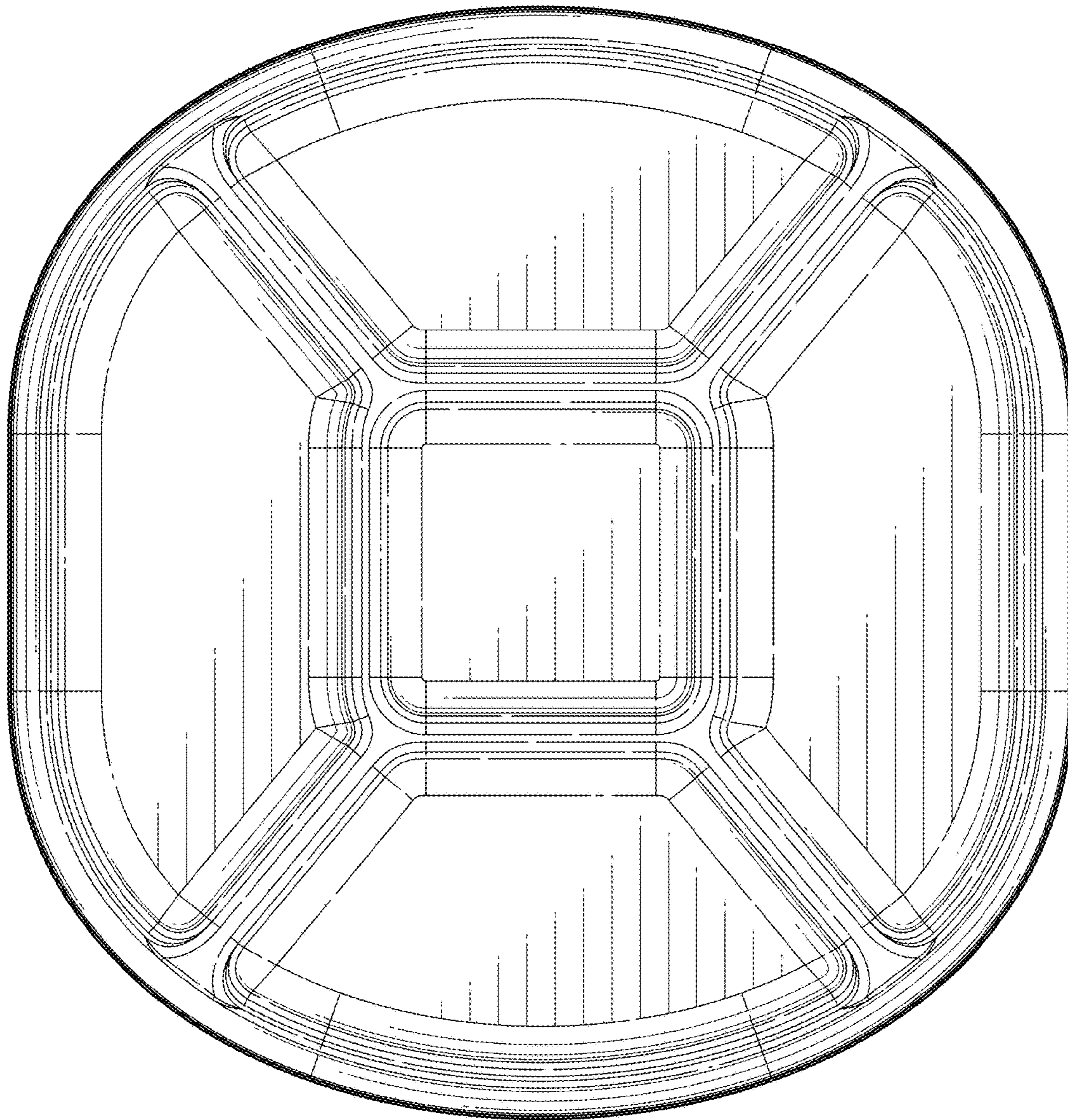


FIG. 11

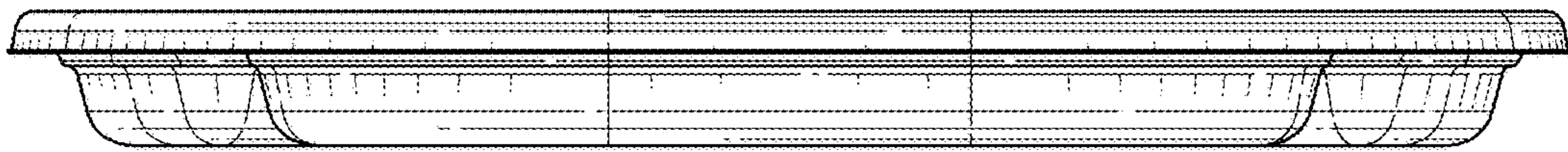


FIG. 12



FIG. 13