



US00D829508S

(12) **United States Design Patent**
Bergström

(10) **Patent No.:** **US D829,508 S**

(45) **Date of Patent:** **** Oct. 2, 2018**

(54) **BABY MUG**

(71) Applicant: **Herobility AB**, Västerås (SE)

(72) Inventor: **Mikael Bergström**, Västerås (SE)

(73) Assignee: **Herobility AB**, Västerås (SE)

(**) Term: **15 Years**

(21) Appl. No.: **29/586,785**

(22) Filed: **Dec. 7, 2016**

(30) **Foreign Application Priority Data**

Jun. 7, 2016 (EM) 003176973

(51) **LOC (11) Cl.** **07-01**

(52) **U.S. Cl.**
USPC **D7/534; D7/510; D7/529; D7/532**

(58) **Field of Classification Search**
USPC D7/507, 509, 505, 510, 511, 512, 514,
D7/151, 518, 521, 300, 300.1, 529, 532,
D7/533, 534, 536, 515; D21/405, 406,
D21/411; 220/592.16, 592.17; D24/197
CPC B65D 1/36; B65D 25/10; B65D 47/066;
A61J 9/00; A47J 43/27; A47G 19/22;
A47G 19/2222

See application file for complete search history.

(56) **References Cited**

U.S. PATENT DOCUMENTS

D644,067 S * 8/2011 Valderrama D24/197
D646,919 S * 10/2011 Nilsson B65D 47/148
D7/300.1
D666,874 S * 9/2012 Sakulsacha D7/510
D679,948 S * 4/2013 Meyer D24/197
D688,520 S * 8/2013 Lin D7/300.1

D688,524 S * 8/2013 Hsu D24/197
D693,177 S * 11/2013 Tollman D24/197
D710,651 S * 8/2014 Obioha D7/510
D740,667 S * 10/2015 Marasligiller D9/523
D766,029 S * 9/2016 Lin D7/300.1
D767,337 S * 9/2016 Boroski D7/510
D781,104 S * 3/2017 Cerasani D7/300.1
2014/0252012 A1* 9/2014 Wharton F16K 15/14
220/714
2014/0360908 A1* 12/2014 Sorensen B65D 21/0228
206/501

* cited by examiner

Primary Examiner — Marianne Pandozzi

Assistant Examiner — Jae Liang

(74) *Attorney, Agent, or Firm* — Dilworth & Barrese,
LLP

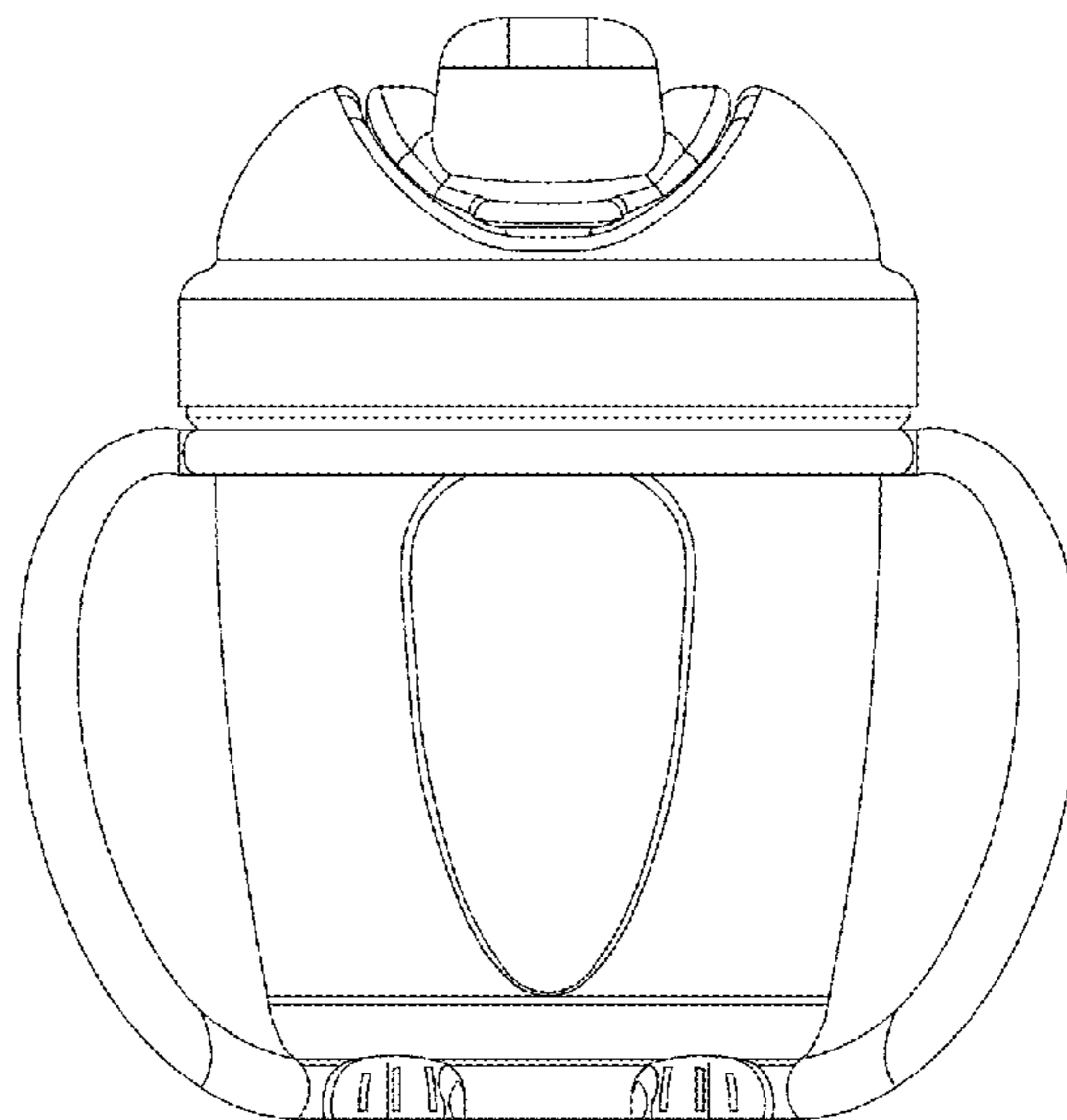
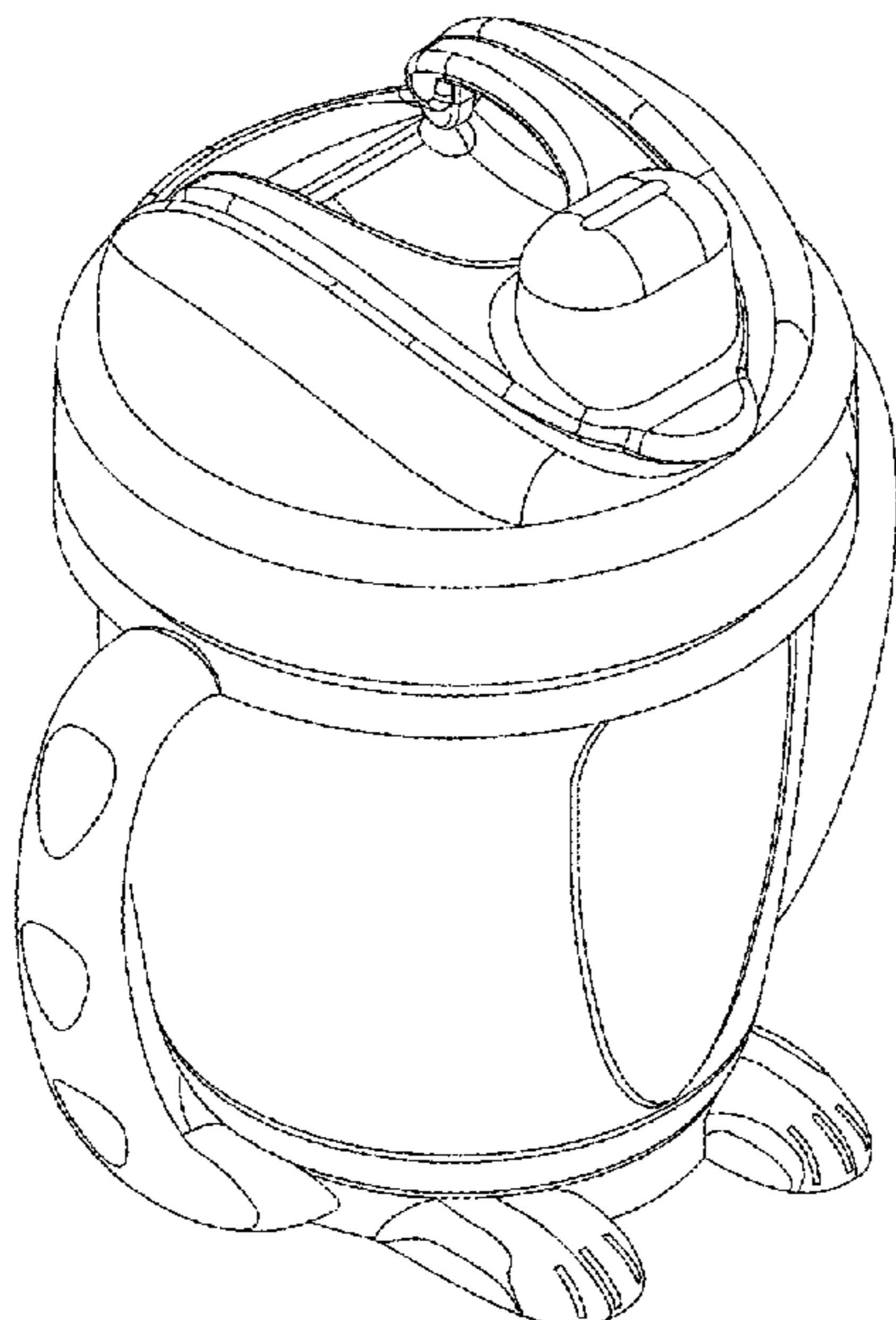
(57) **CLAIM**

The ornamental design for a baby mug, as shown and described.

DESCRIPTION

FIG. 1 is a left side front perspective view of a baby mug showing my new design;
FIG. 2 is a left side elevational view of the baby mug of FIG. 1;
FIG. 3 is a right side elevational view of the baby mug of FIGS. 1 and 2;
FIG. 4 is a front elevational view of the baby mug of FIGS. 1-3;
FIG. 5 is a rear elevational view of the baby mug of FIGS. 1-4;
FIG. 6 is a top plan view of the baby mug of FIGS. 1-5; and,
FIG. 7 is a bottom plan view of the baby mug of FIGS. 1-6.
The broken lines in the drawings depict portions of the baby mug that form no part of the claimed design.

1 Claim, 3 Drawing Sheets



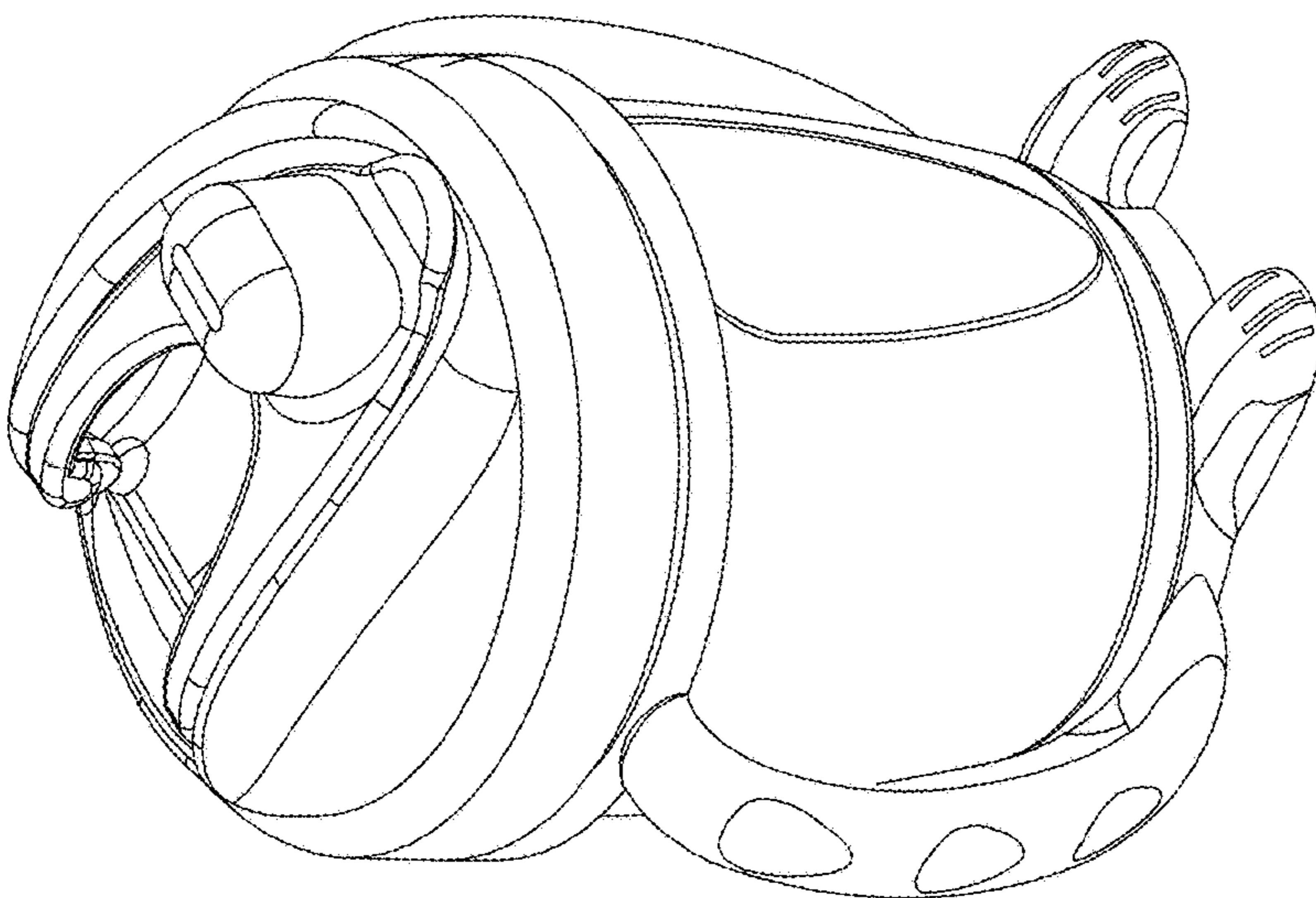


FIG. 1

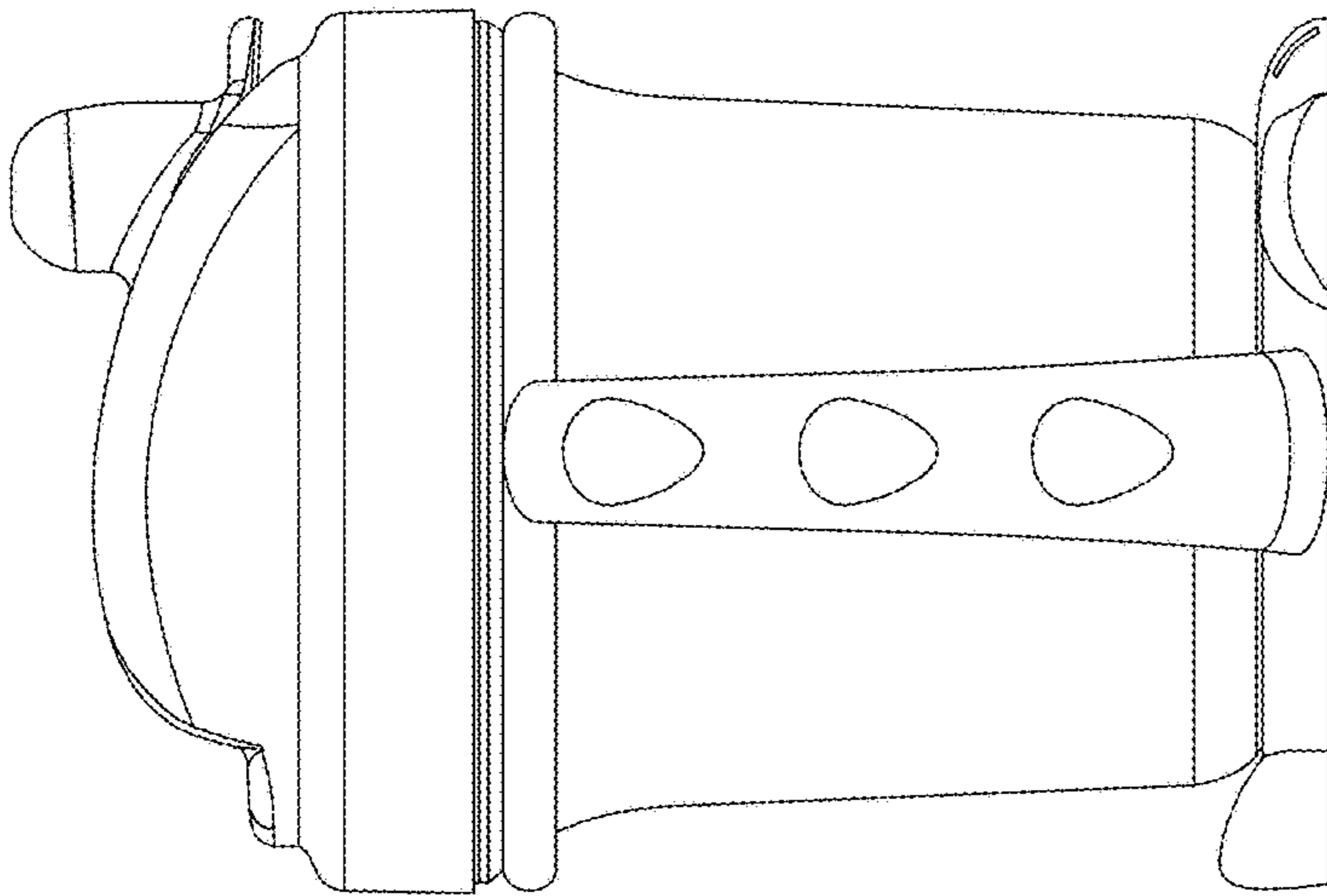


FIG. 2

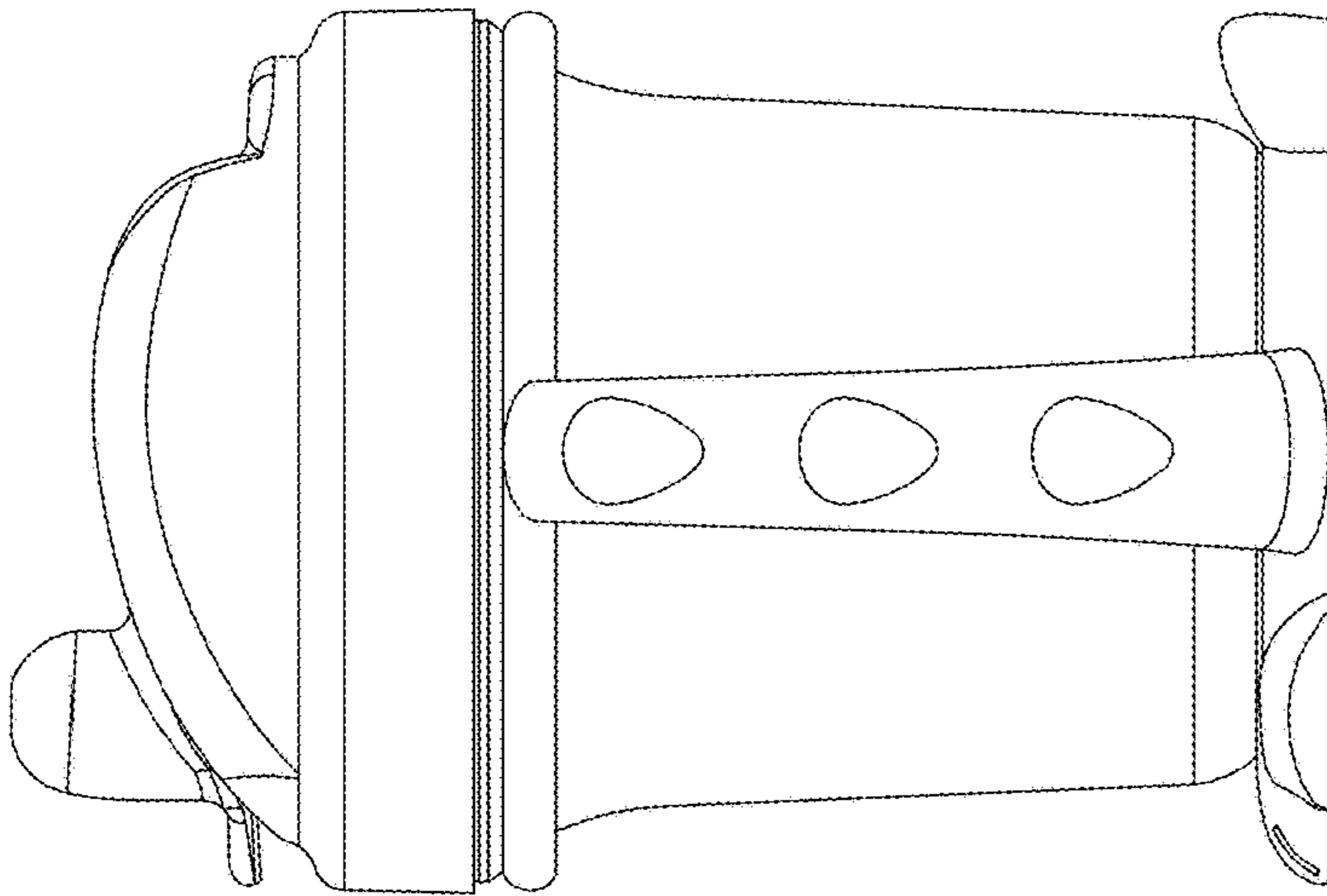


FIG. 3

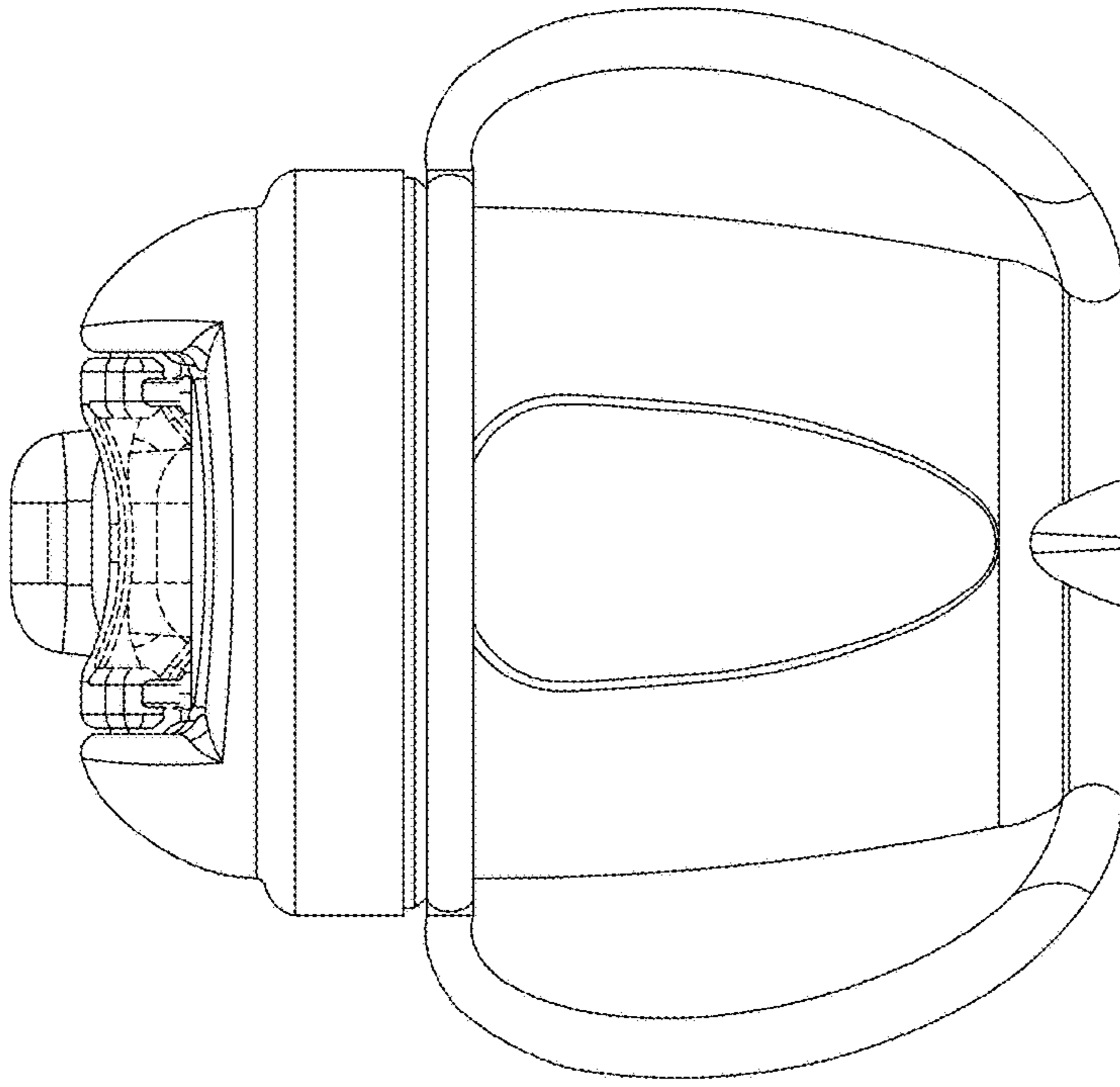


FIG. 4

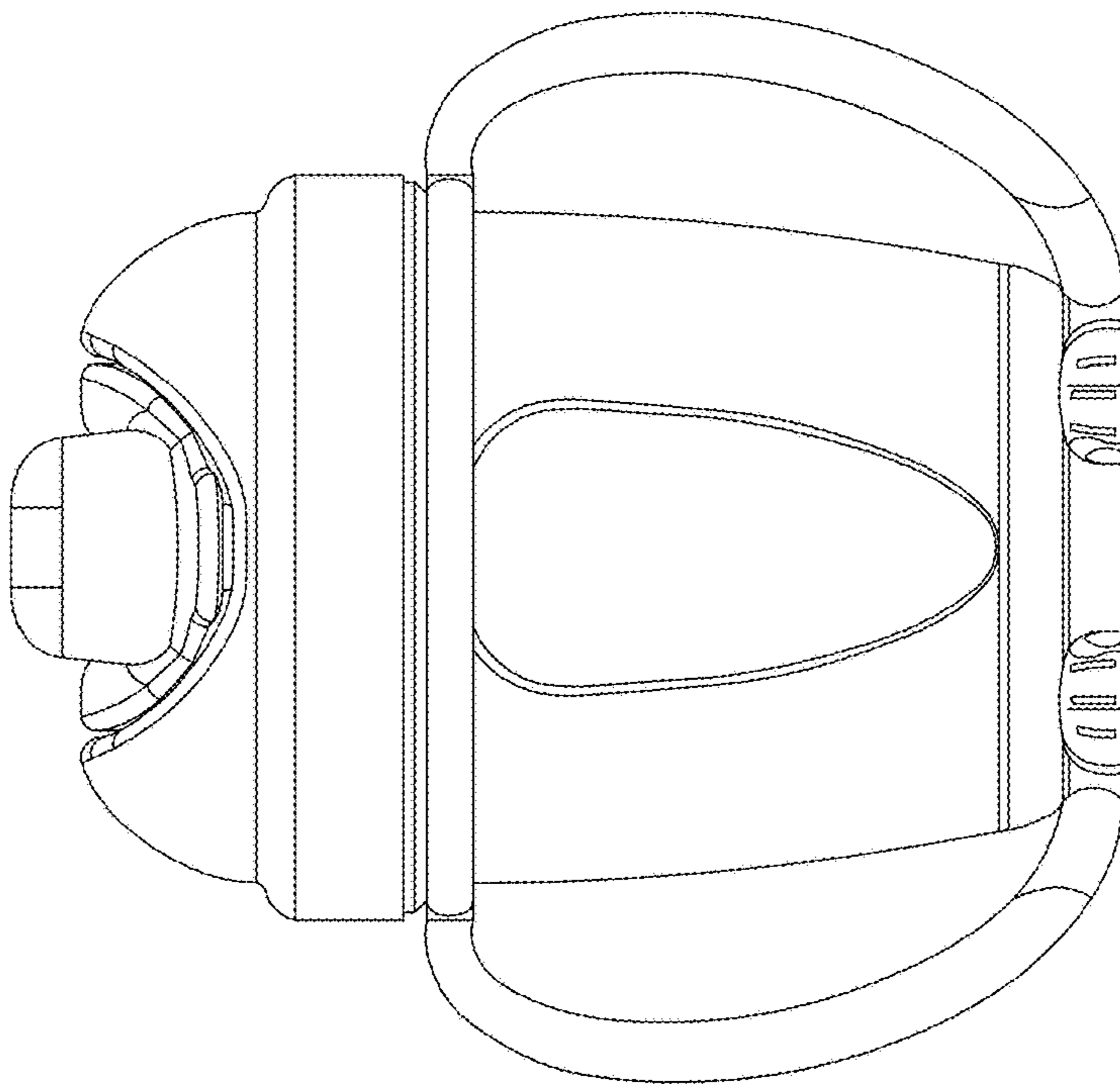


FIG. 5

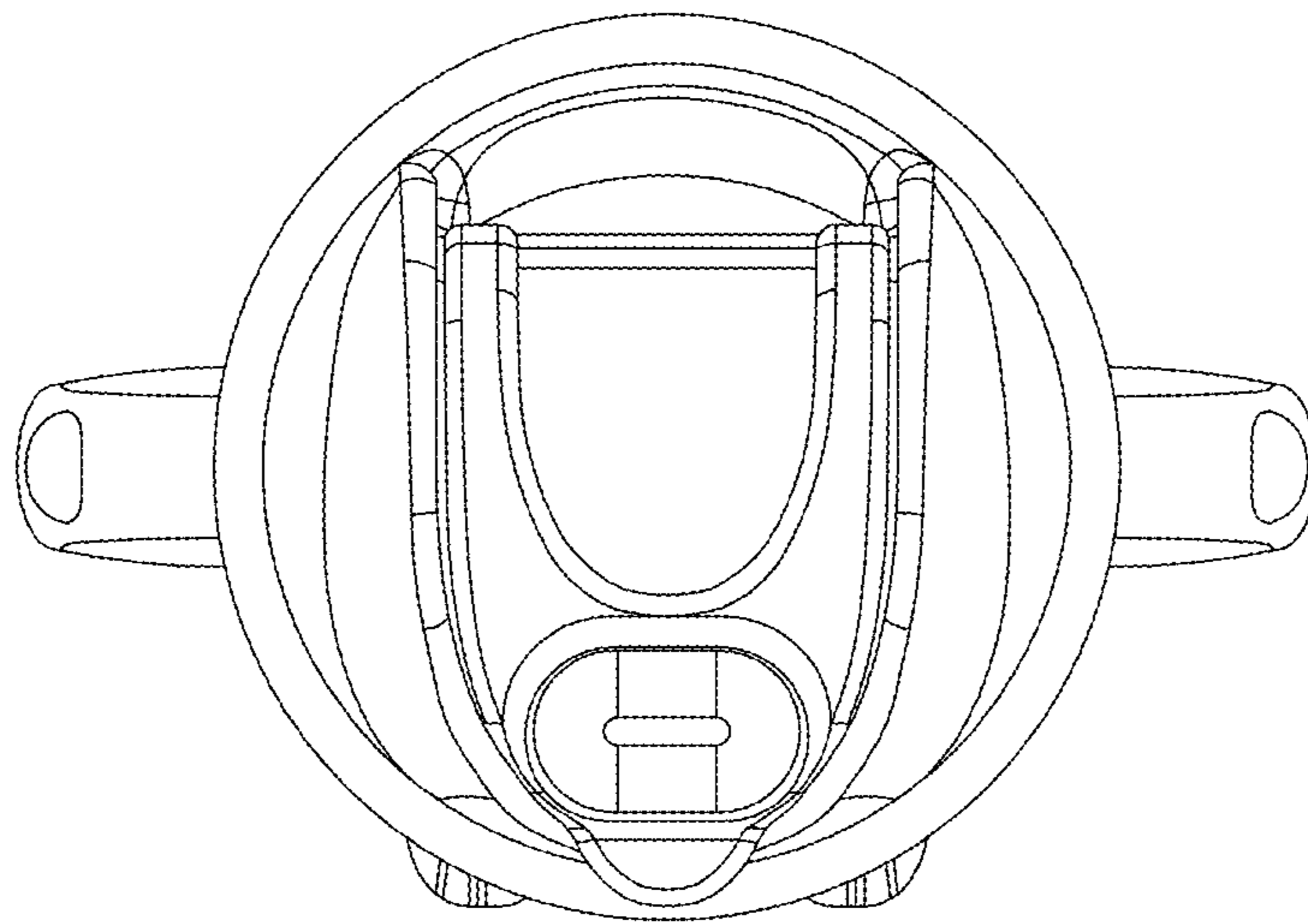


FIG. 6

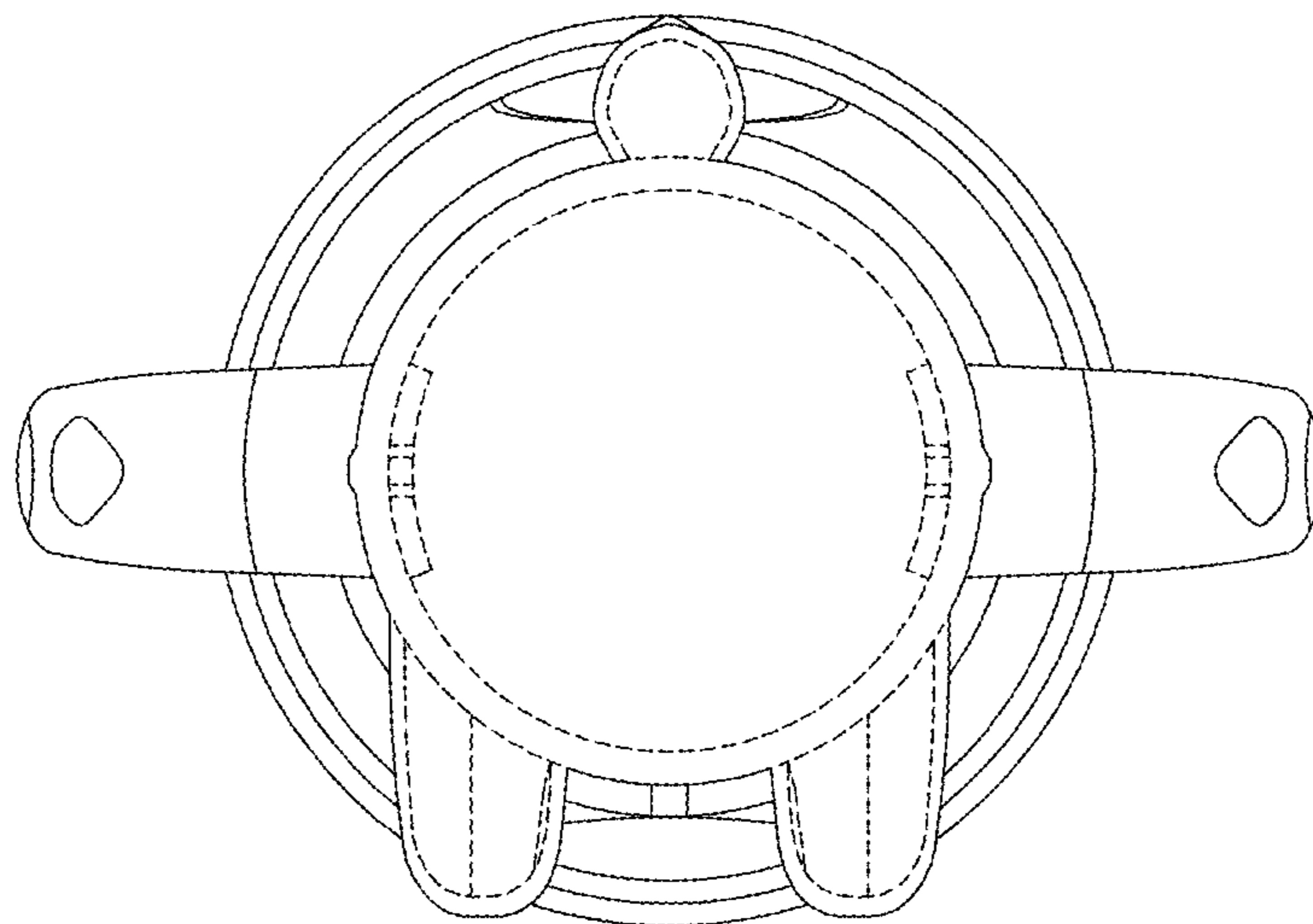


FIG. 7