



US00D829507S

(12) **United States Design Patent**
Breit et al.

(10) **Patent No.:** **US D829,507 S**
(45) **Date of Patent:** **** Oct. 2, 2018**

(54) **BOTTLE**

(71) Applicant: **O2COOL, LLC**, Chicago, IL (US)

(72) Inventors: **Oliver Breit**, Discovery Bay (HK);
Lars Junker, Kowloon (HK); **Vicky Hui**, Tsing Yi (HK); **Michael Ksiazek**, Burr Ridge, IL (US)

(73) Assignee: **O2COOL, LLC**, Chicago, IL (US)

(**) Term: **15 Years**

(21) Appl. No.: **29/609,971**

(22) Filed: **Jul. 7, 2017**

(51) **LOC (11) Cl.** **07-01**

(52) **U.S. Cl.**

USPC **D7/529**; D7/532; D9/550; D9/556

(58) **Field of Classification Search**

USPC D7/507, 509, 510, 511, 512, 523, 531,
D7/532, 533, 535, 536, 608, 392.1, 396.2,
D7/529, 667, 319, 320, 300, 300.1;
D9/435, 436, 449, 442, 443, 500, 502,
D9/503, 504, 529, 447, 516, 453, 531,
D9/567, 539, 560, 544, 572, 573, 530,
D9/537, 552, 556, 571, 575, 550;
220/592.16, 592.17, 62.12, 703; D26/7
CPC A45F 3/16; B65D 47/066; A47J 43/27;
A47G 19/2272; A47G 19/2211; A47G
19/22; A47G 19/2222

See application file for complete search history.

(56) **References Cited**

U.S. PATENT DOCUMENTS

D417,590 S * 12/1999 Kato D7/510
6,119,888 A * 9/2000 Goto A47J 41/0083
215/13.1

D492,158 S * 6/2004 Bodum D7/510
D538,110 S * 3/2007 Kitamura D7/608
D582,779 S * 12/2008 Bourne D9/520
D698,249 S * 1/2014 Nicolas D9/444
D698,657 S * 2/2014 Bernstein D7/510
D727,106 S * 4/2015 Lai D7/509
D741,637 S * 10/2015 Palermo D7/300.1
D744,846 S * 12/2015 Koop D9/550
D758,800 S * 6/2016 Hayslett D7/300.1
D767,338 S * 9/2016 Jones D7/510
D772,652 S * 11/2016 Yao D7/510
D784,763 S * 4/2017 Oshana D7/509
D786,072 S * 5/2017 Breit D9/443
D789,150 S * 6/2017 Heiberger D7/511
D801,111 S * 10/2017 Eyal D7/392.1
D807,110 S * 1/2018 Lown D7/391
2008/0006718 A1 * 1/2008 Junkel A45F 3/16
239/333

* cited by examiner

Primary Examiner — Marianne Pandozzi

Assistant Examiner — Jae Liang

(74) *Attorney, Agent, or Firm* — Thompson Coburn LLP

(57) **CLAIM**

The ornamental design for a bottle, as shown and described.

DESCRIPTION

FIG. 1 is a first perspective view of a bottle showing our new design;

FIG. 2 is a second perspective view thereof;

FIG. 3 is a front view thereof;

FIG. 4 is a rear view thereof;

FIG. 5 is a left side view thereof;

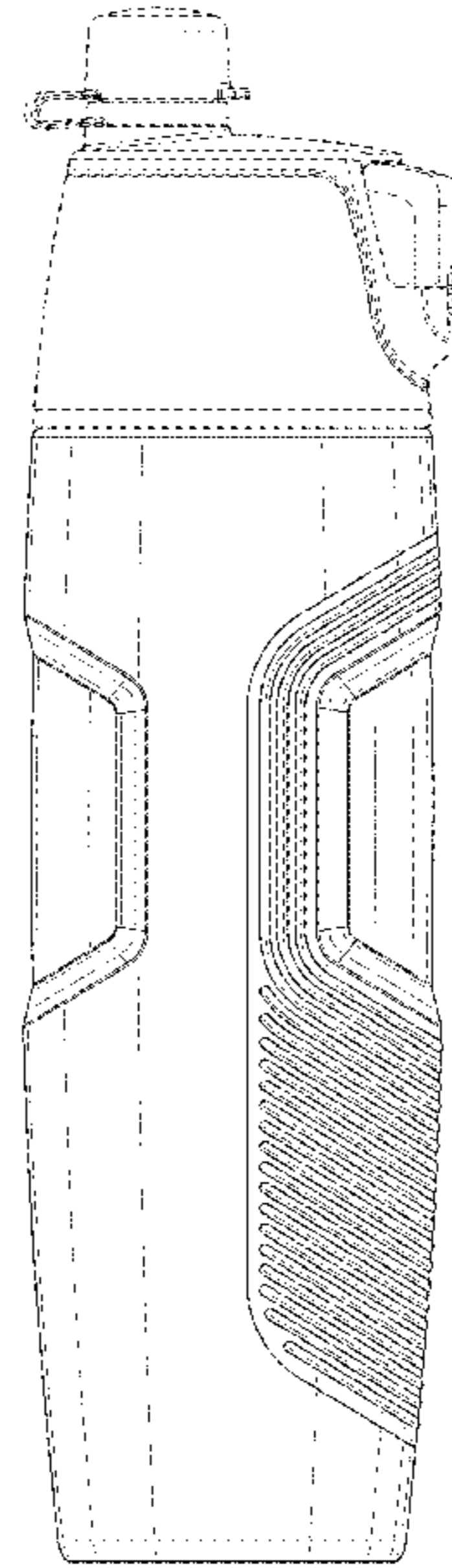
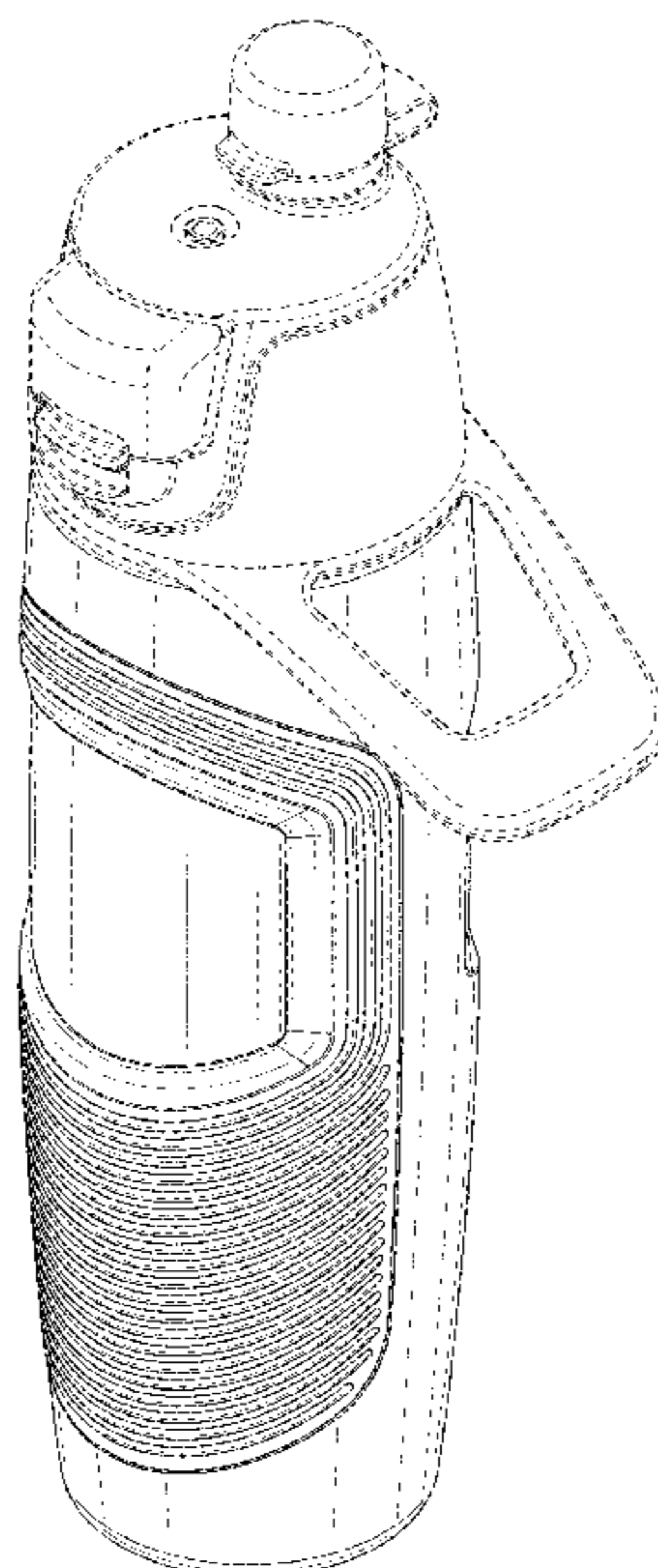
FIG. 6 is a right side view thereof;

FIG. 7 is a top view thereof; and,

FIG. 8 is a bottom view thereof.

The broken lines in the drawings depict portions of the bottle that form no part of the claimed design.

1 Claim, 7 Drawing Sheets



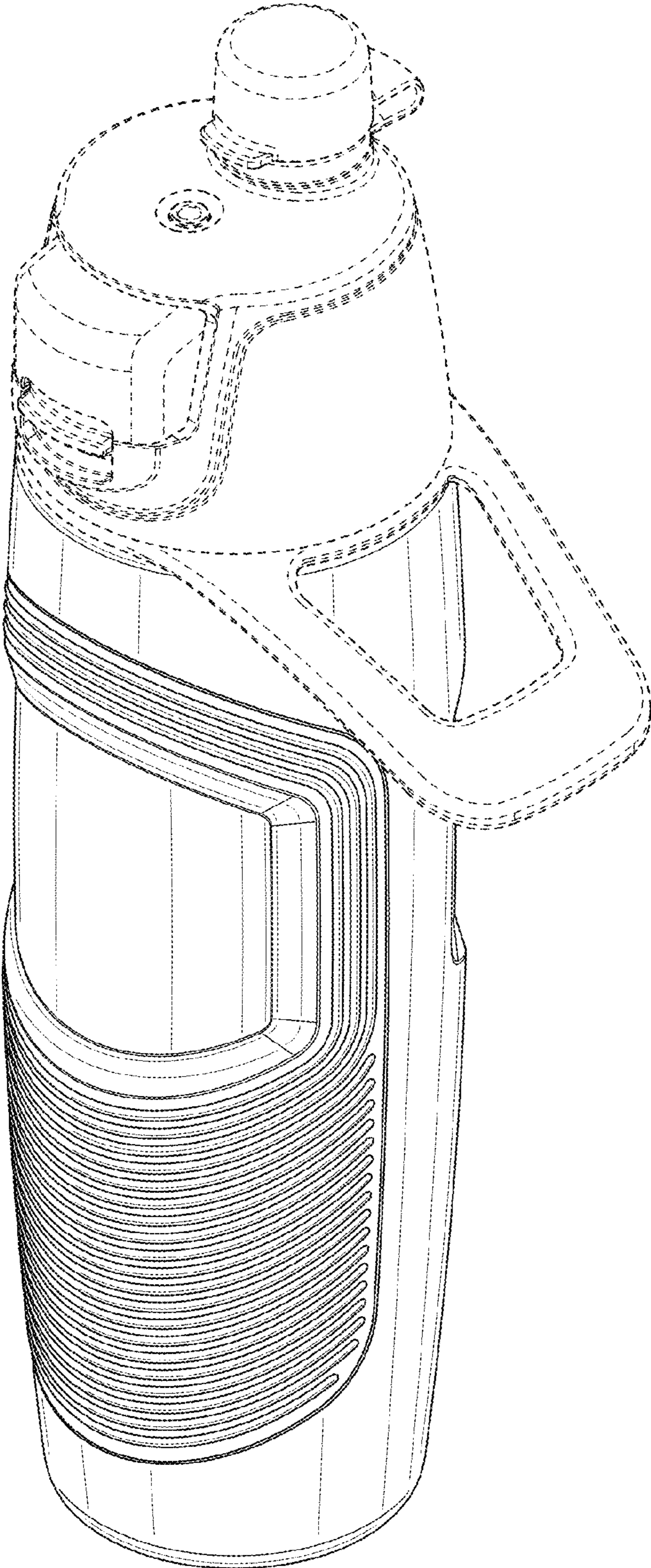


FIG. 1

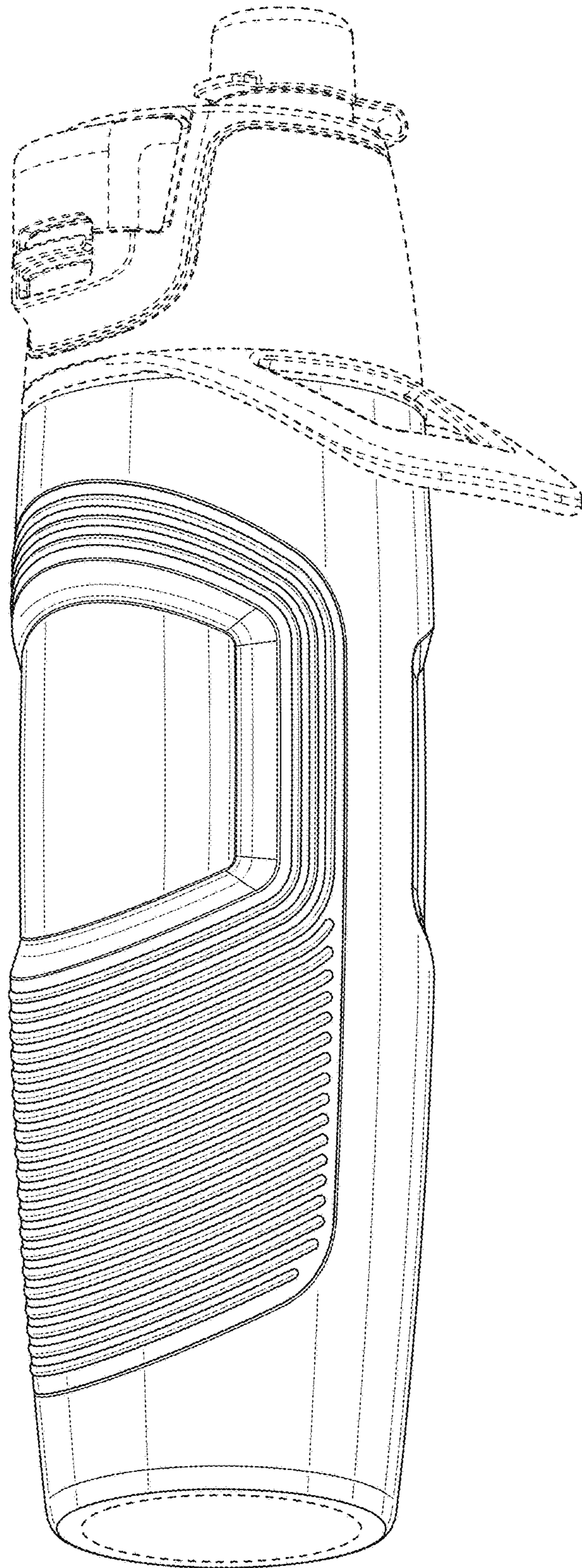


FIG. 2

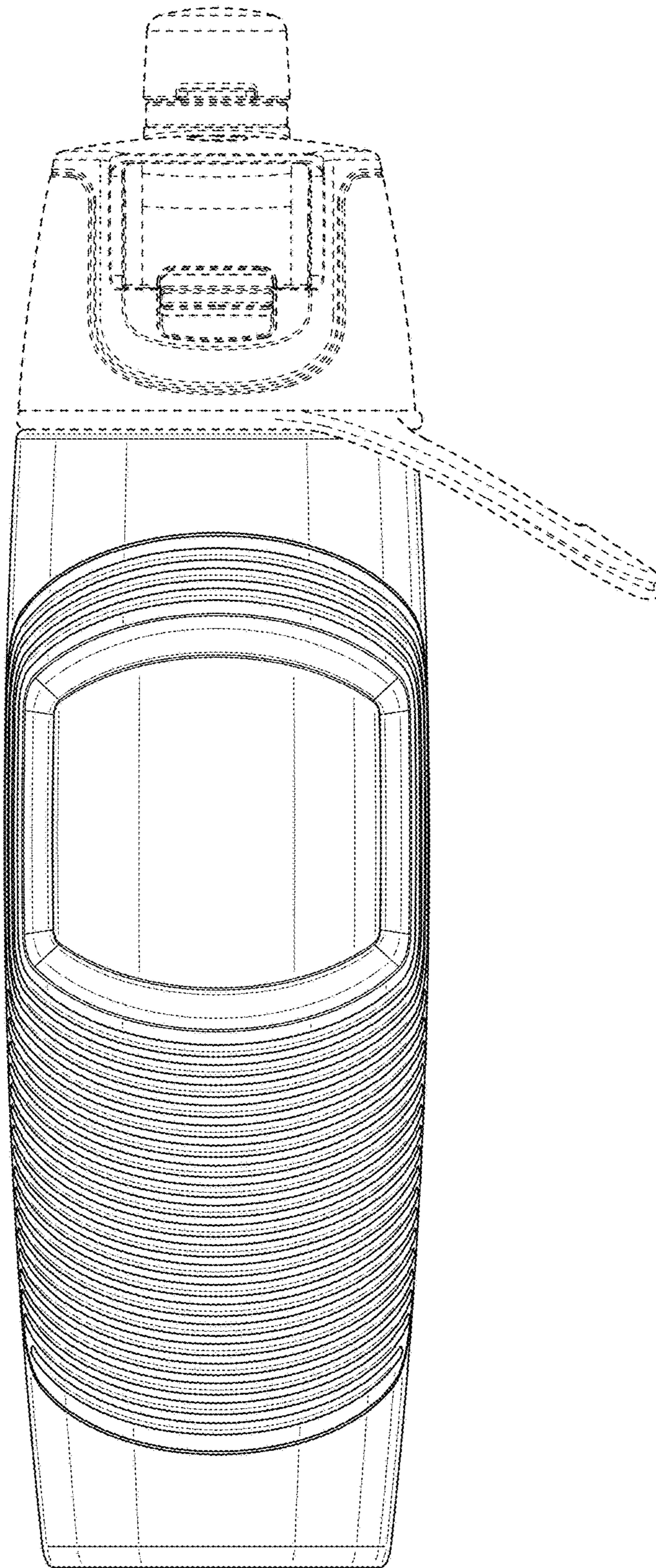


FIG. 3

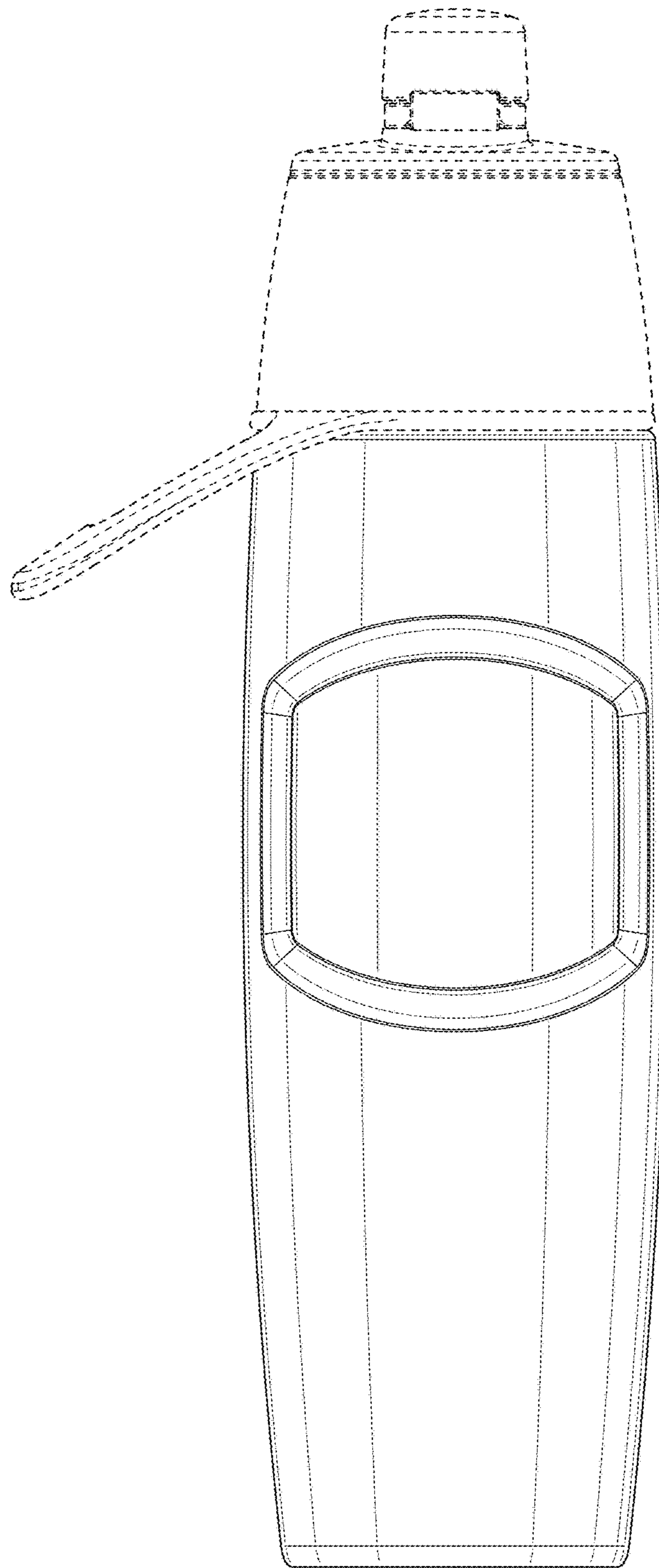


FIG. 4

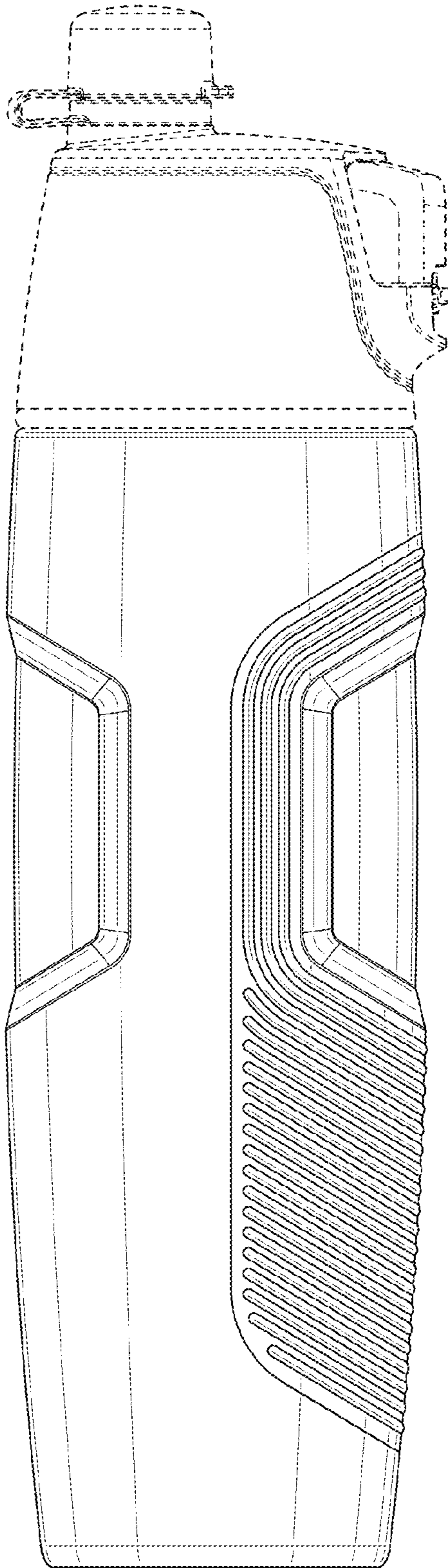


FIG. 5

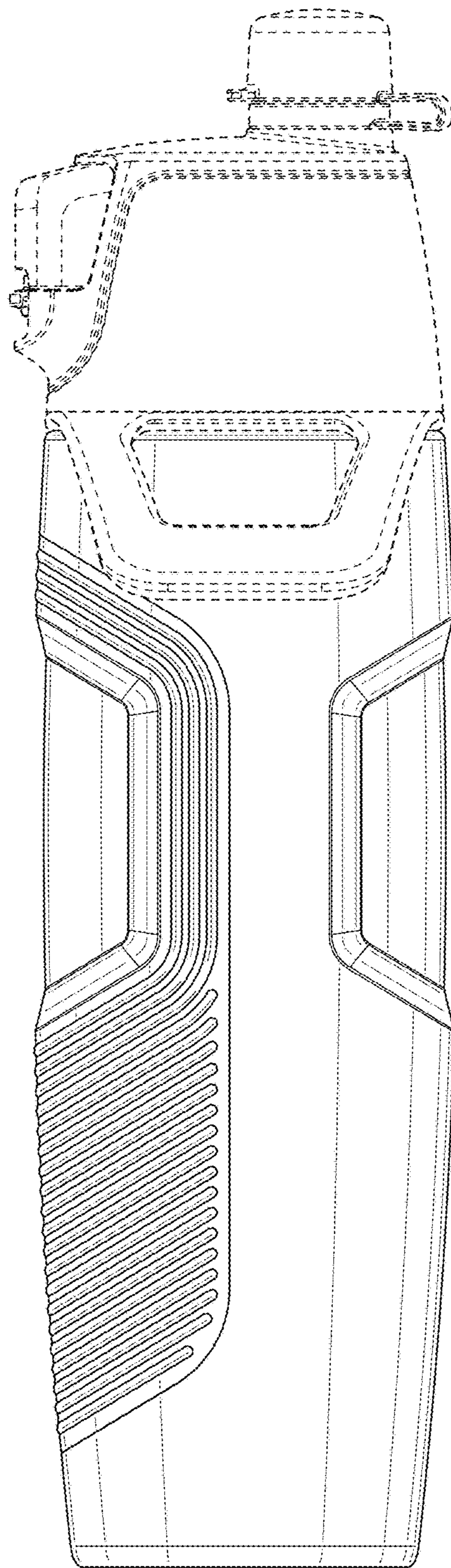


FIG. 6

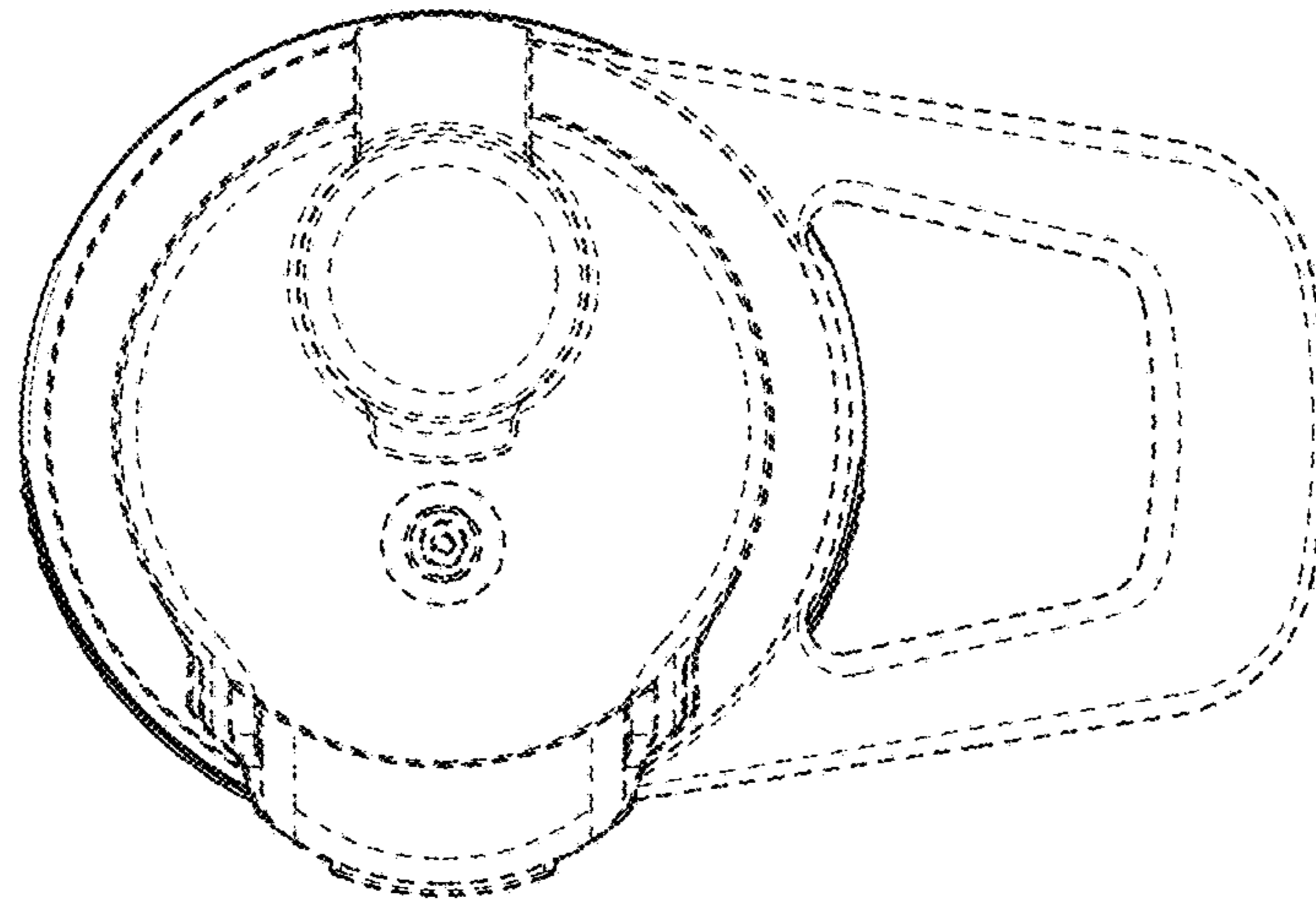


FIG. 7

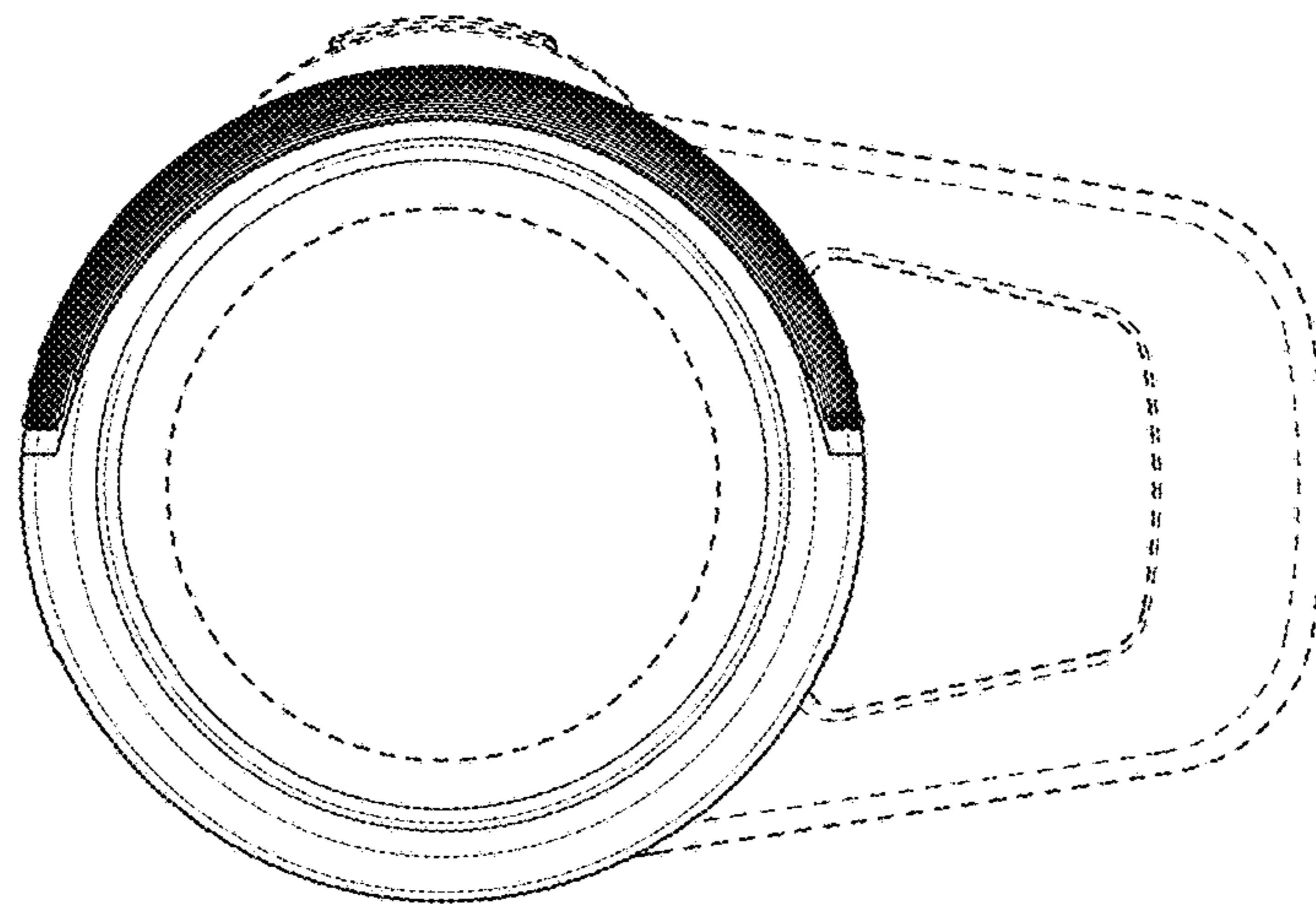


FIG. 8