

US00D829502S

(12) **United States Design Patent** (10) **Patent No.:** **US D829,502 S**
Kastner (45) **Date of Patent:** **** Oct. 2, 2018**

(54) **INDUCTION BURNER** 5,112,218 A * 5/1992 Sigler F24C 3/103
126/39 E
(71) Applicant: **Meyer Intellectual Properties Limited,** 6,173,708 B1 * 1/2001 Arntz F24C 3/085
Kowloon (HK) 126/39 H
(72) Inventor: **Martin Kastner,** Chicago, IL (US) D524,105 S * 7/2006 Poltronieri D7/407
D564,296 S * 3/2008 Koch D7/407
D581,736 S * 12/2008 Besseas D7/407
(73) Assignee: **Meyer Intellectual Properties Limited** D665,491 S * 8/2012 Goel D15/144
(VG) D727,090 S * 4/2015 St. Jacques D7/387
D745,321 S * 12/2015 Koch D7/407
2006/0207588 A1 * 9/2006 Staebler F24C 15/10
126/215

(**) Term: **15 Years**

(21) Appl. No.: **29/556,566**

(22) Filed: **Mar. 1, 2016**

(51) **LOC (11) Cl.** **07-02**

(52) **U.S. Cl.**
USPC **D7/407**

(58) **Field of Classification Search**
USPC D7/402-409, 323, 332-351, 362-367,
D7/399, 397, 309, 306, 387; D23/386,
D23/397, 402, 415-419; D15/81, 144
CPC F24C 15/10; F24C 15/107; F24C 15/001;
F24C 3/08; F24C 3/082; F24C 3/085;
H05B 6/6414; H05B 6/6408; A47J 31/40;
A47J 31/42
See application file for complete search history.

(56) **References Cited**

U.S. PATENT DOCUMENTS

D222,122 S * 9/1971 Craver D7/407
4,846,671 A * 7/1989 Kwiatek F24C 3/085
126/39 E

* cited by examiner

Primary Examiner — Sheryl Lane
Assistant Examiner — Nicole C Shiflet
(74) *Attorney, Agent, or Firm* — Akerman LLP

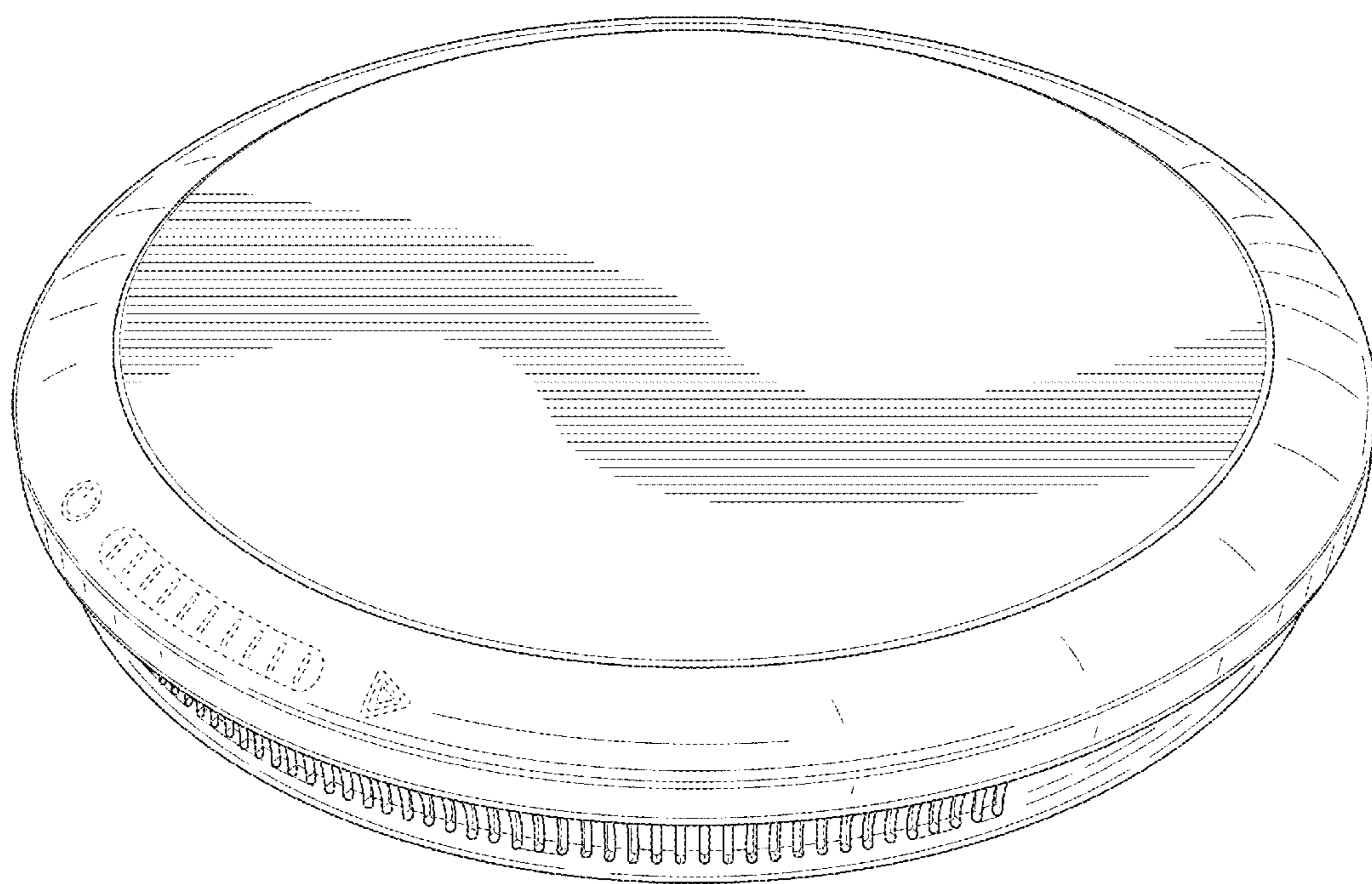
(57) **CLAIM**

The ornamental design for an induction burner, as shown and described.

DESCRIPTION

FIG. 1 is a perspective view of the “induction burner”, showing my new design;
FIG. 2 is a top view thereof;
FIG. 3 is a bottom view thereof;
FIG. 4 is a front view thereof;
FIG. 5 is a back view thereof;
FIG. 6 is a side view thereof; and,
FIG. 7 is an other side view thereof.
The broken lines showing portions of the article form no part of the claimed design.

1 Claim, 5 Drawing Sheets



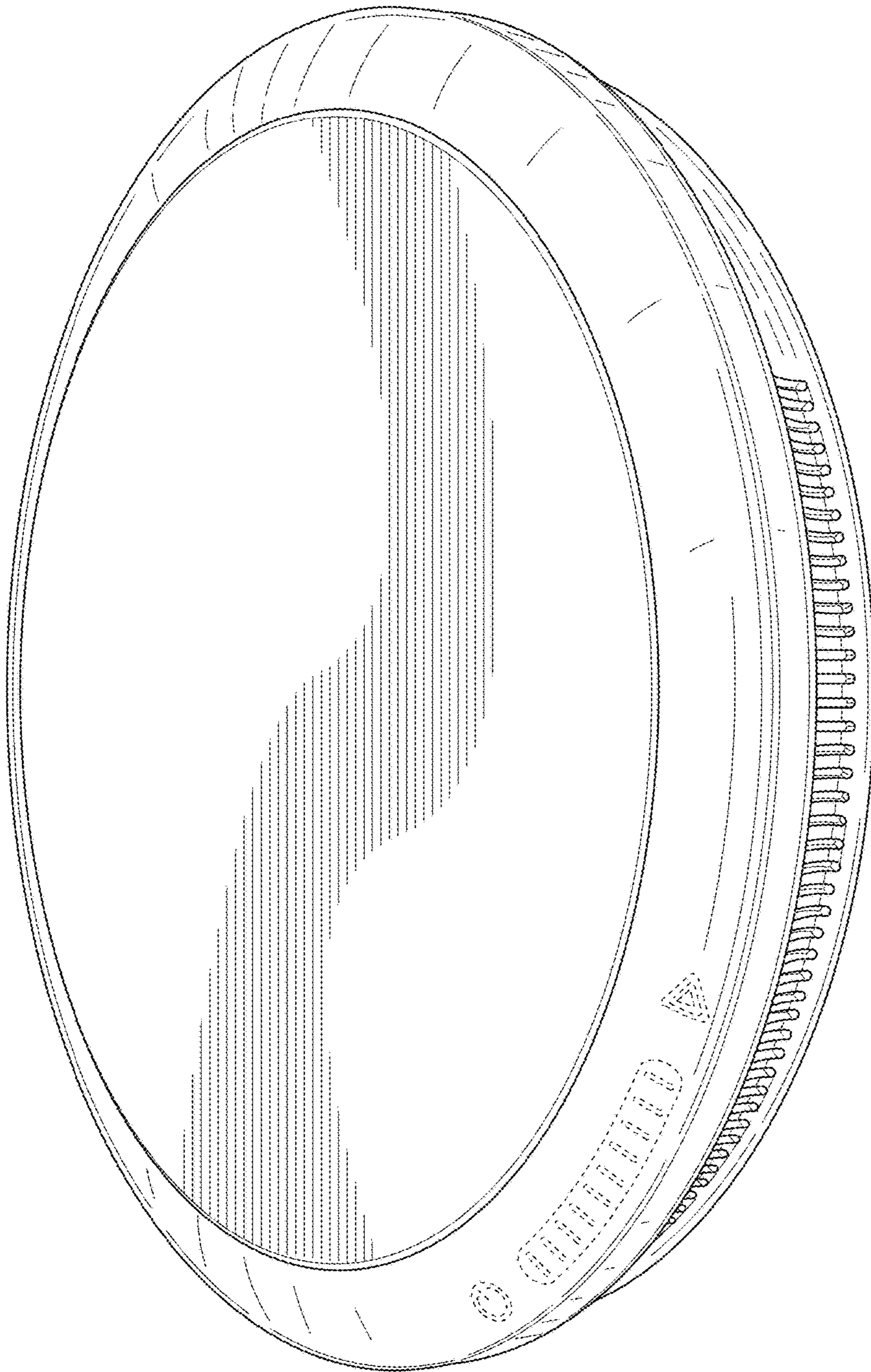


FIG. 1

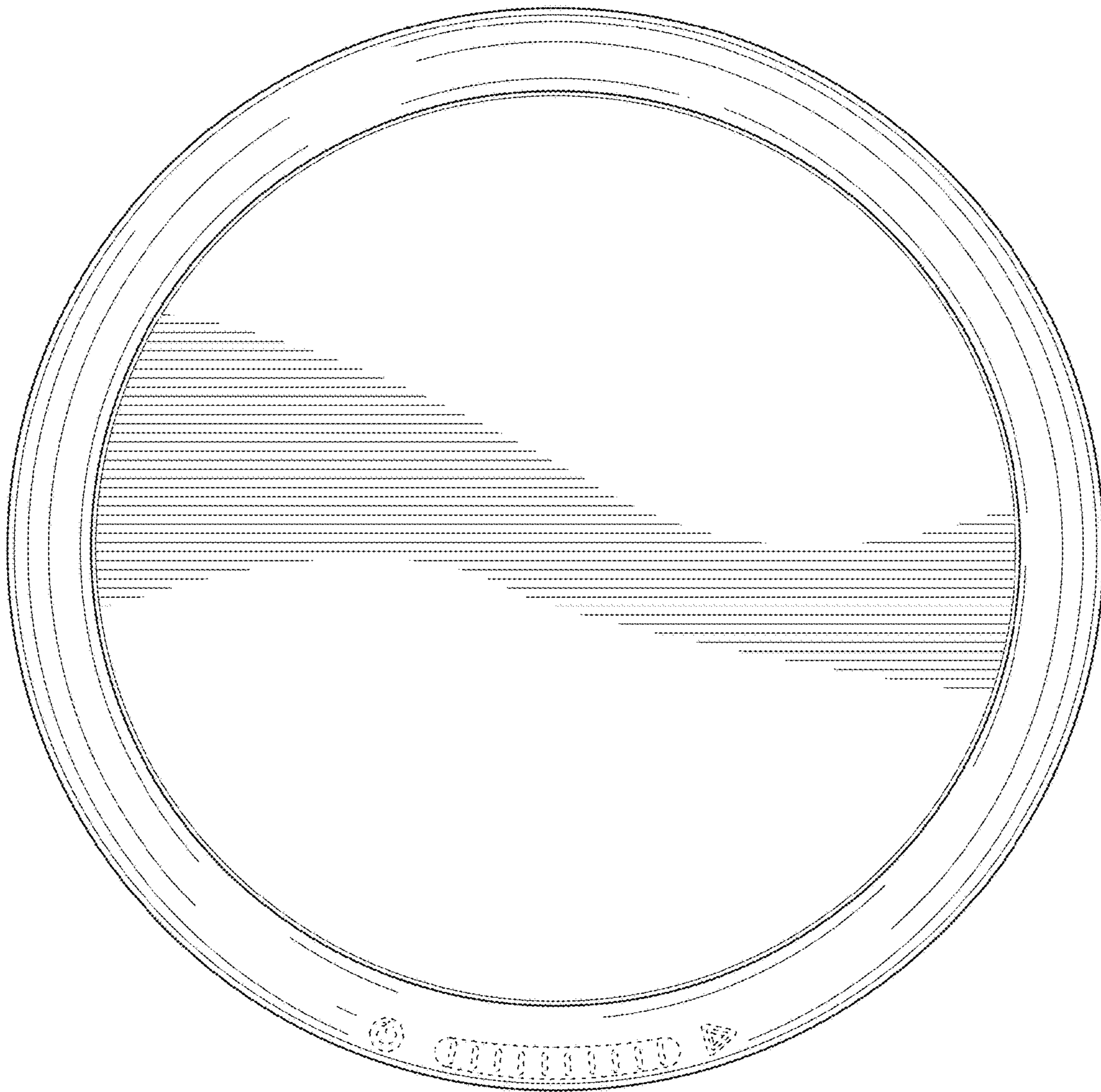


FIG. 2

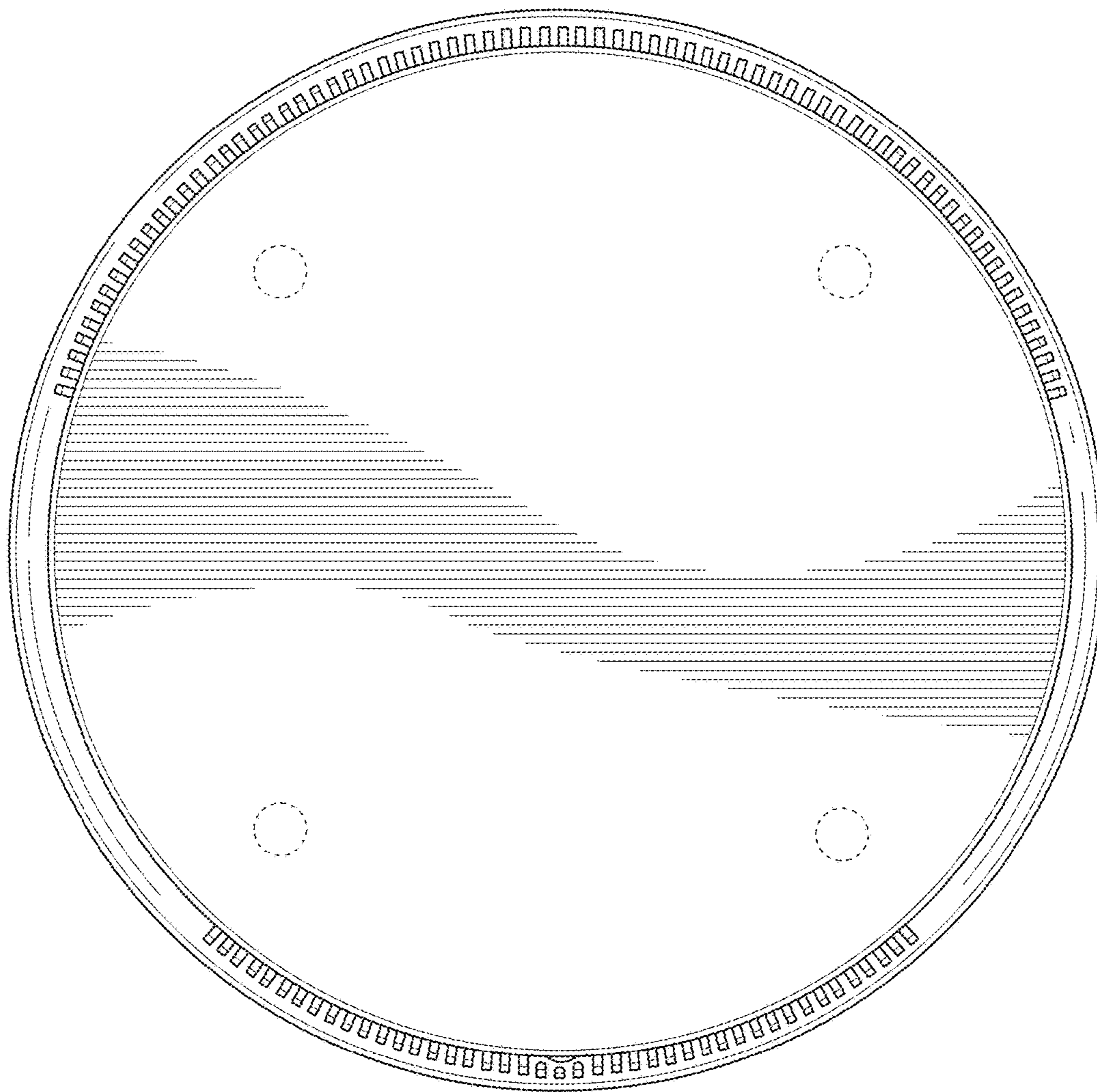


FIG. 3

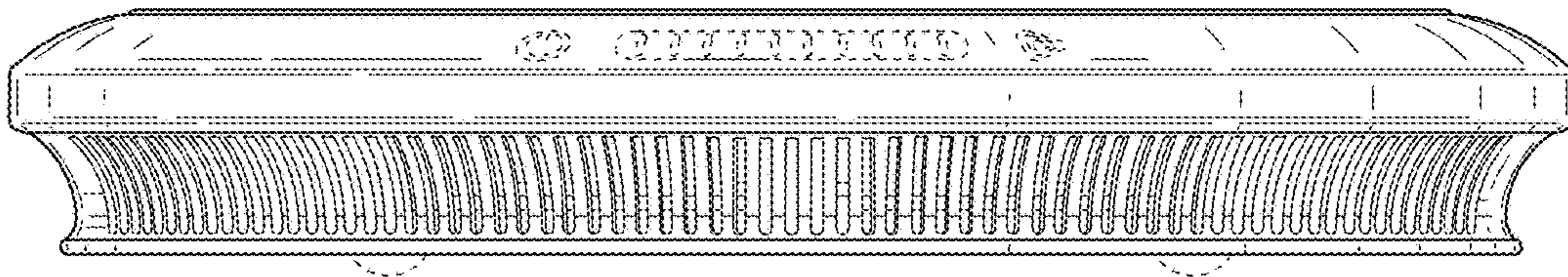


FIG. 4

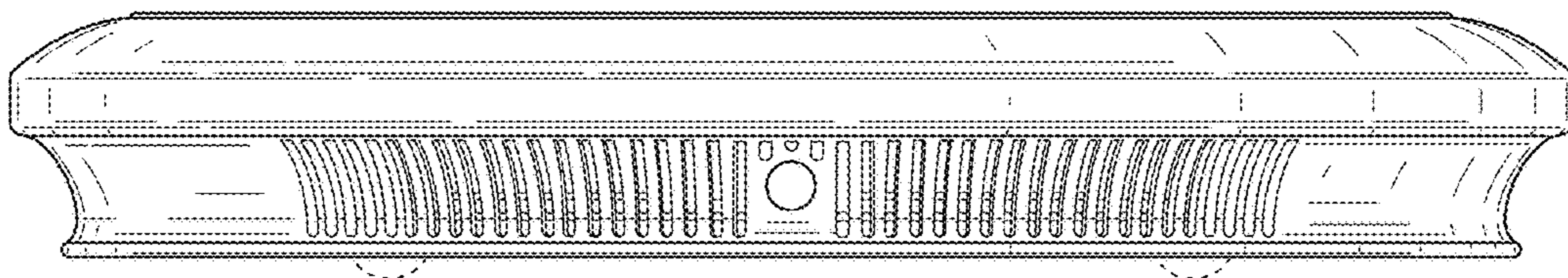


FIG. 5

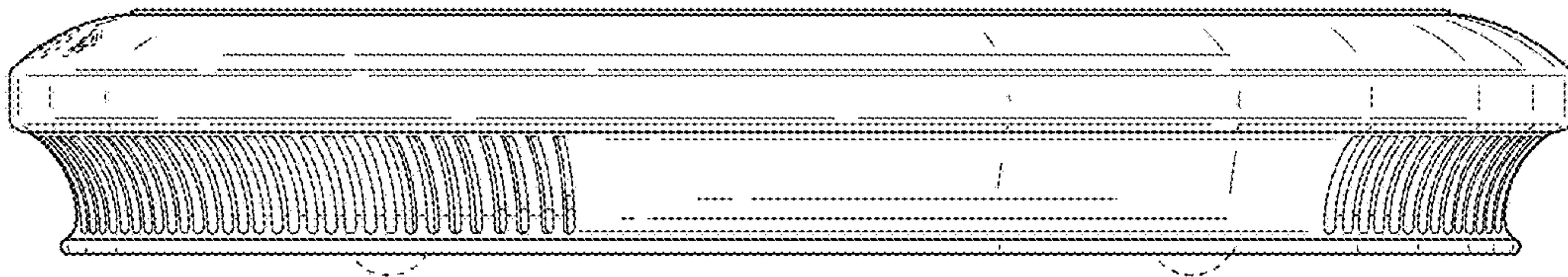


FIG. 6

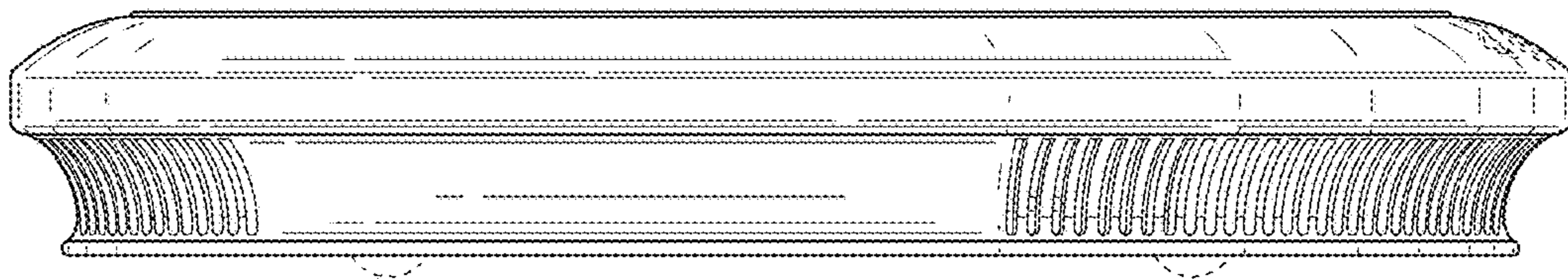


FIG. 7