



US00D829501S

(12) **United States Design Patent** (10) **Patent No.:** **US D829,501 S**
Ward et al. (45) **Date of Patent:** **** Oct. 2, 2018**

(54) **GRILL PLATFORM**

OTHER PUBLICATIONS

(71) Applicant: **W.C. Bradley Co.**, Columbus, GA (US)

Char-Broil Signature TRU-Infrared 325 2-Burner Grill, Amazon [online], earliest review Feb. 17, 2016, [retrieved Dec. 26, 2017]. Retrieved from the Internet, URL: https://www.amazon.com/Char-Broil-Signature-TRU-Infrared-2-Burner-Cabinet/dp/B016ZIBBHG/ref=pd_sbs_86_7?_encoding=UTF8&psc=1&refRID=T4HG8R7HCA2ET63E03QV.*

(72) Inventors: **Thomas H. Ward**, Cataula, GA (US); **Mark Edward Davis**, Columbus, GA (US); **William Clark Turner**, Columbus, GA (US); **Stephen Jones**, Sandy Springs, GA (US); **Jeffrey Raymond Juskowich**, Mableton, GA (US)

* cited by examiner

(73) Assignee: **W.C. Bradley Co.**, Columbus, GA (US)

Primary Examiner — Sheryl L Lane

(**) Term: **15 Years**

Assistant Examiner — Nicole C Shiflet

(21) Appl. No.: **29/545,788**

(74) *Attorney, Agent, or Firm* — David G. Woodral; GableGotwals

(22) Filed: **Nov. 16, 2015**

(57) **CLAIM**

(51) **LOC (11) Cl.** **07-02**

The ornamental design for a grill platform, as shown and described.

(52) **U.S. Cl.**

USPC **D7/406**

(58) **Field of Classification Search**

DESCRIPTION

USPC D7/402–409, 332–337, 323

CPC A47J 37/07; A47J 37/0704; A47J 37/0763;

A47J 37/0709; A47J 37/0713

See application file for complete search history.

FIG. 1 is a left frontal isometric view of the grill platform of the invention.

FIG. 2 is a front elevational view of the grill platform of the invention.

FIG. 3 is a rear elevational view of the grill platform of the invention.

FIG. 4 is a right elevational view of the grill platform of the invention.

FIG. 5 is a left elevational view of the grill platform of the invention.

FIG. 6 is a top plan view of the grill platform of the invention; and,

FIG. 7 is a bottom plan view of the grill platform of the invention.

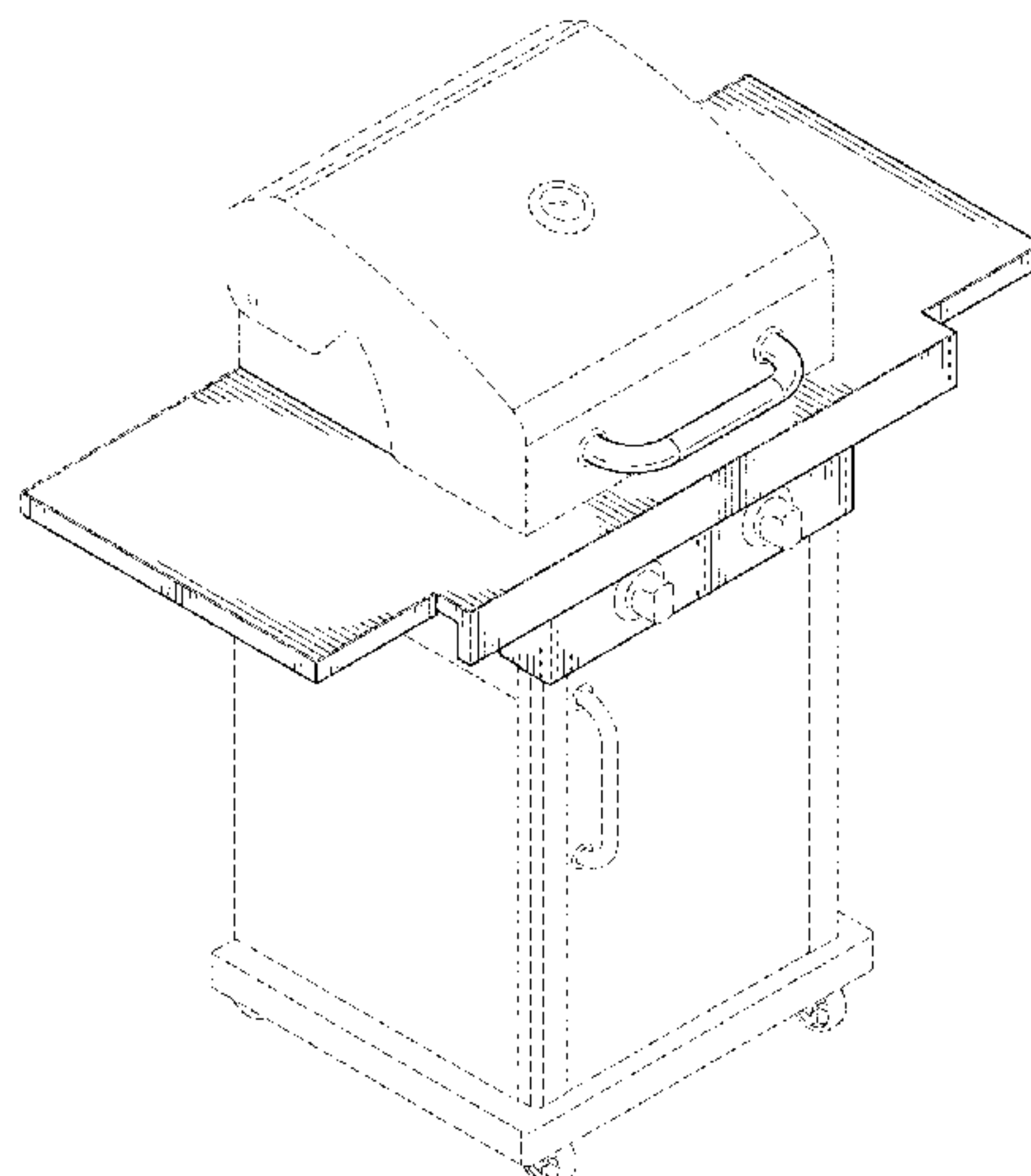
The broken lines in the drawings of the grill platform are for environmental illustration only and form no part of the claimed design.

(56) **References Cited**

U.S. PATENT DOCUMENTS

D263,960	S	*	4/1982	Berg	D7/323
D449,491	S	*	10/2001	Measom	D7/334
D450,524	S	*	11/2001	Measom	D7/332
D461,359	S	*	8/2002	Coleman	D7/334
D465,123	S	*	11/2002	Coleman	D7/334
D465,693	S	*	11/2002	Coleman	D7/334
D475,235	S	*	6/2003	Home	D7/334
D516,367	S	*	3/2006	Lutz	D7/335
D546,616	S	*	7/2007	Tseng	D7/334
D547,109	S	*	7/2007	Tseng	D7/334
2012/0012091	A1	*	1/2012	Home	A47J 37/0713 126/38
2016/0206149	A1	*	7/2016	Rosian	A47J 37/0786
2016/0360924	A1	*	12/2016	Bruin-Slot	A47J 37/0694

1 Claim, 6 Drawing Sheets



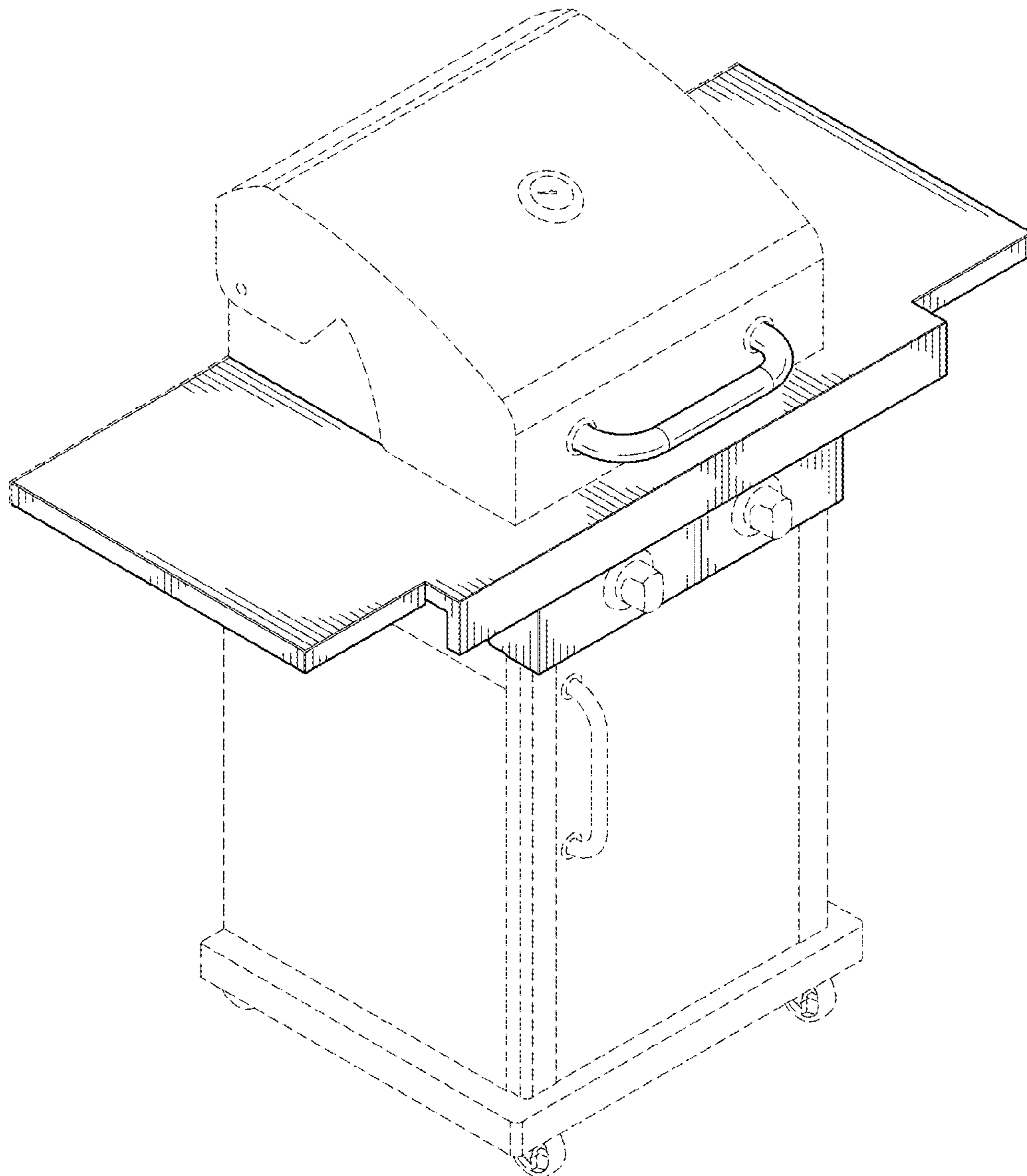


FIG. 1

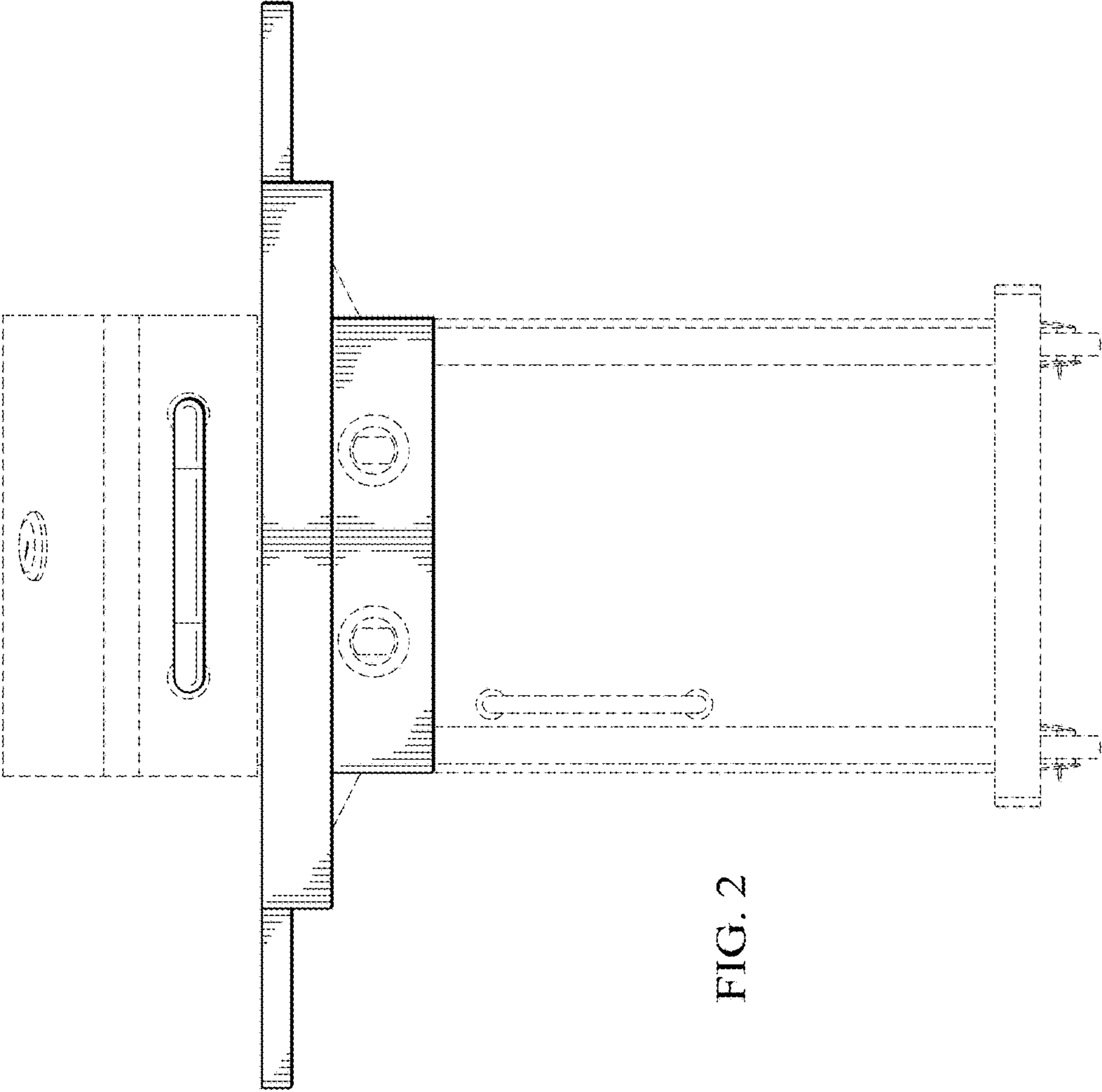


FIG. 2

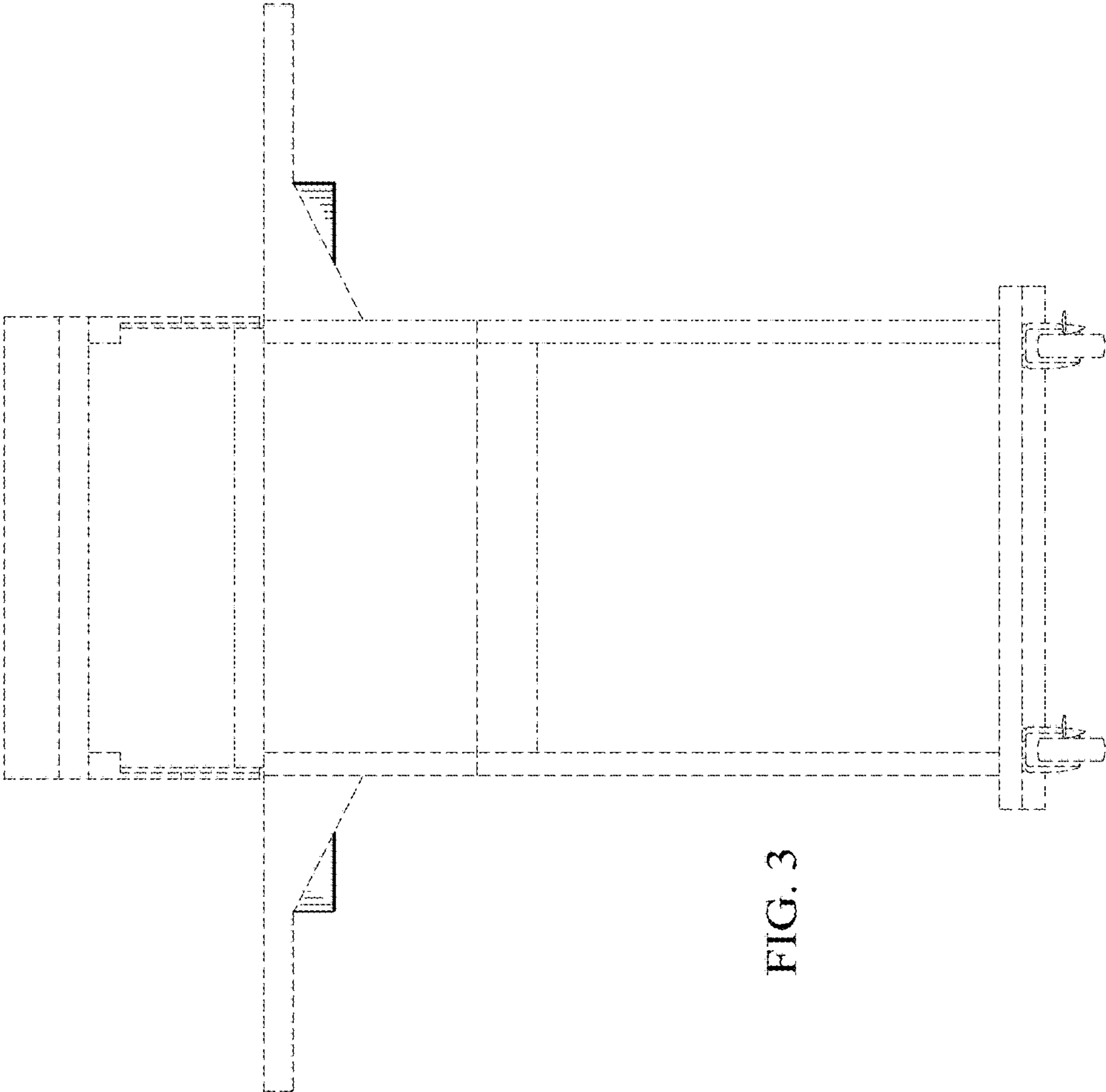


FIG. 3

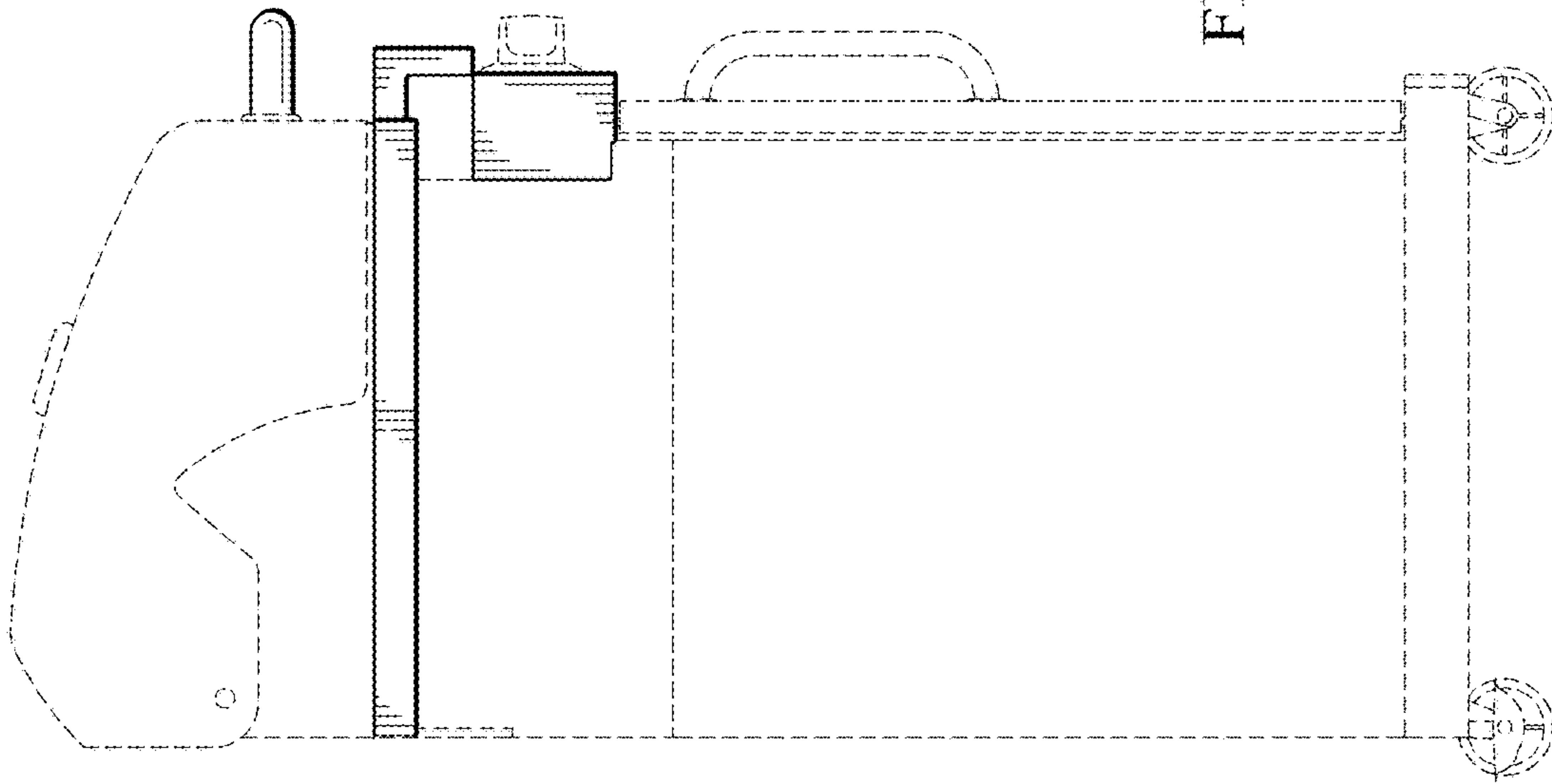


FIG. 5

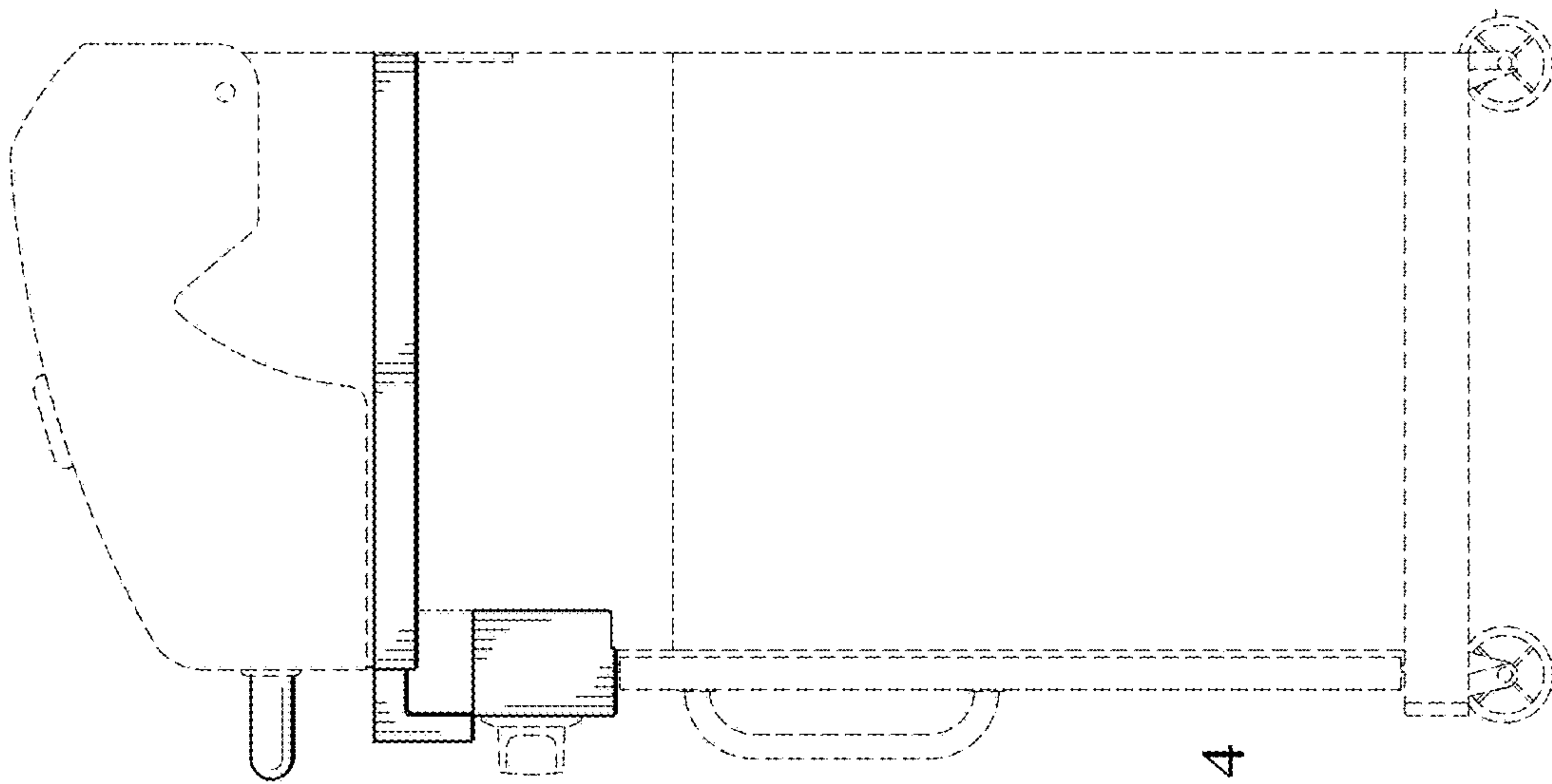


FIG. 4

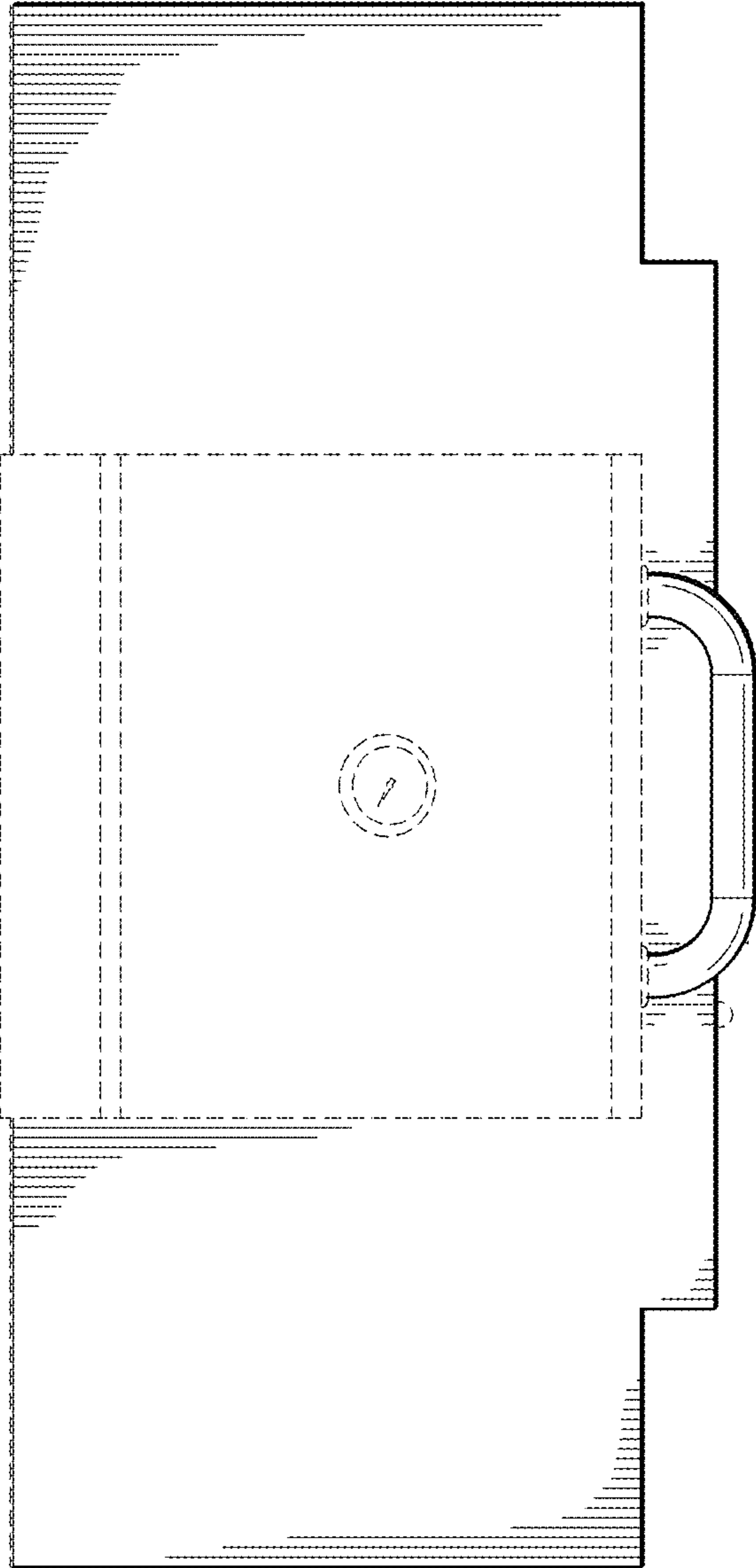


FIG. 6

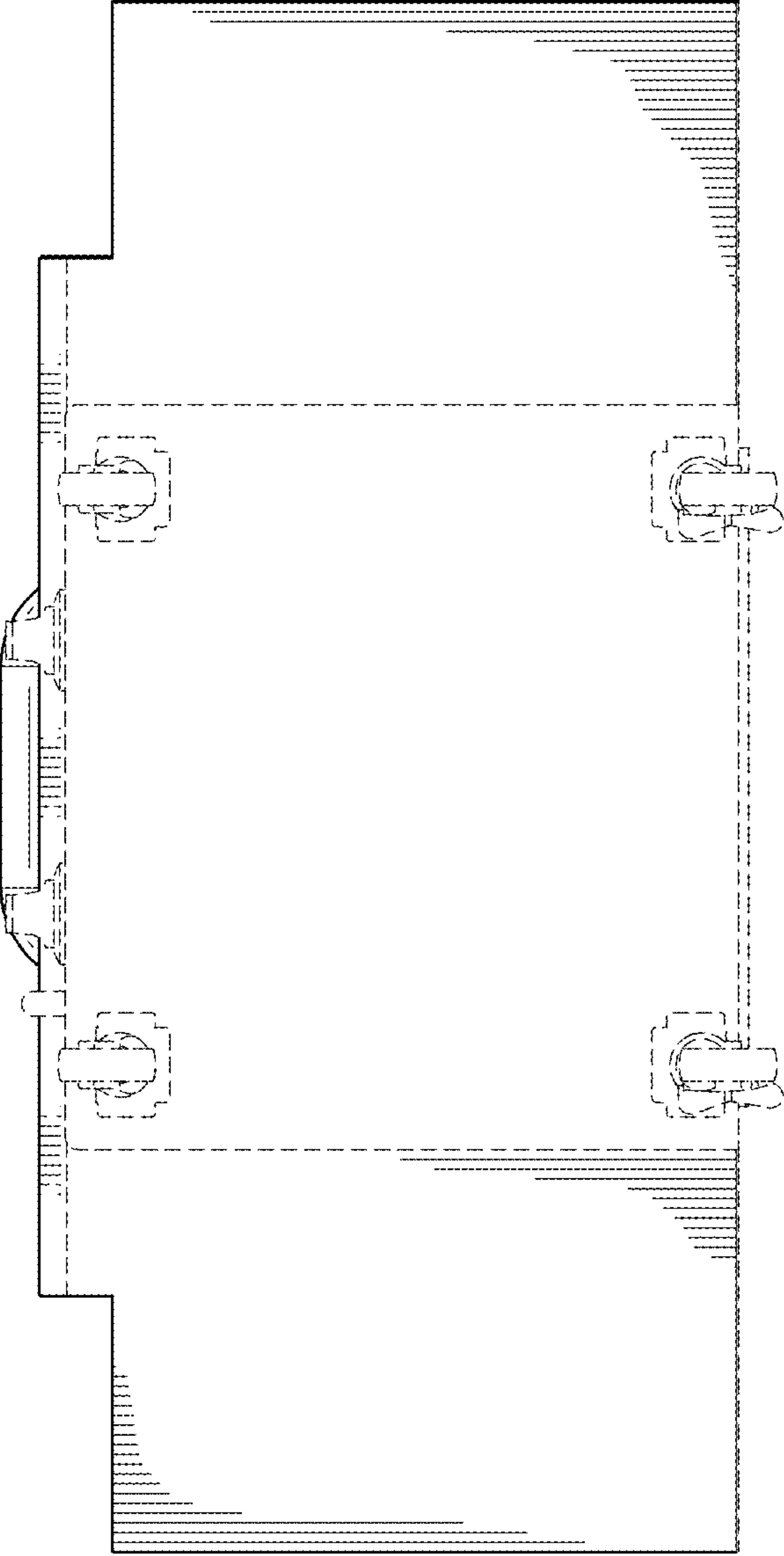


FIG. 7