



US00D829500S

(12) **United States Design Patent** (10) **Patent No.:** **US D829,500 S**
Ward et al. (45) **Date of Patent:** **** Oct. 2, 2018**

(54) **GRILL PLATFORM**

(71) Applicant: **W.C. Bradley Co.**, Columbus, GA (US)

(72) Inventors: **Thomas H. Ward**, Cataula, GA (US); **Mark Edward Davis**, Columbus, GA (US); **William Clark Turner**, Columbus, GA (US); **Stephen Jones**, Sandy Springs, GA (US); **Jeffrey Raymond Juskowich**, Mableton, GA (US)

(73) Assignee: **W.C. Bradley Co.**, Columbus, GA (US)

(**) Term: **15 Years**

(21) Appl. No.: **29/545,787**

(22) Filed: **Nov. 16, 2015**

(51) **LOC (11) Cl.** **07-02**

(52) **U.S. Cl.**
USPC **D7/406**

(58) **Field of Classification Search**
USPC D7/402-409, 332-337, 323
CPC A47J 37/07; A47J 37/0704; A47J 37/0763;
A47J 37/0709; A47J 37/0713
See application file for complete search history.

(56) **References Cited**

U.S. PATENT DOCUMENTS

D263,960 S *	4/1982	Berg	D7/323
D449,491 S *	10/2001	Measom	D7/334
D450,524 S *	11/2001	Measom	D7/332
D461,359 S *	8/2002	Coleman	D7/334
D465,123 S *	11/2002	Coleman	D7/334
D465,693 S *	11/2002	Coleman	D7/334
D475,235 S *	6/2003	Home	D7/334
D516,367 S *	3/2006	Lutz	D7/335
D546,616 S *	7/2007	Tseng	D7/334
D547,109 S *	7/2007	Tseng	D7/334
2012/0012091 A1 *	1/2012	Home	A47J 37/0713 126/38
2016/0206149 A1 *	7/2016	Rosian	A47J 37/0786
2016/0360924 A1 *	12/2016	Bruin-Slot	A47J 37/0694

OTHER PUBLICATIONS

Char-Broil Performance TRU-Infrared 500 3-Burner Grill, Amazon [online], earliest review Apr. 21, 2016, [retrieved Dec. 26, 2017]. Retrieved from the Internet, URL: https://www.amazon.com/Char-Broil-Performance-TRU-Infrared-3-Burner-Cabinet/dp/B016ZIB8KG/ref=pd_sbs_86_2?_encoding=UTF8&psc=1&refRID=T4HG8R7HCA2ET63E03QV.*

* cited by examiner

Primary Examiner — Sheryl L Lane

Assistant Examiner — Nicole C Shiflet

(74) *Attorney, Agent, or Firm* — David G. Woodral; GableGotwals

(57) **CLAIM**

The ornamental design for a grill platform, as shown and described.

DESCRIPTION

FIG. 1 is a left frontal isometric view of the grill platform of the invention.

FIG. 2 is a front elevational view of the grill platform of the invention.

FIG. 3 is a rear elevational view of the grill platform of the invention.

FIG. 4 is a right elevational view of the grill platform of the invention.

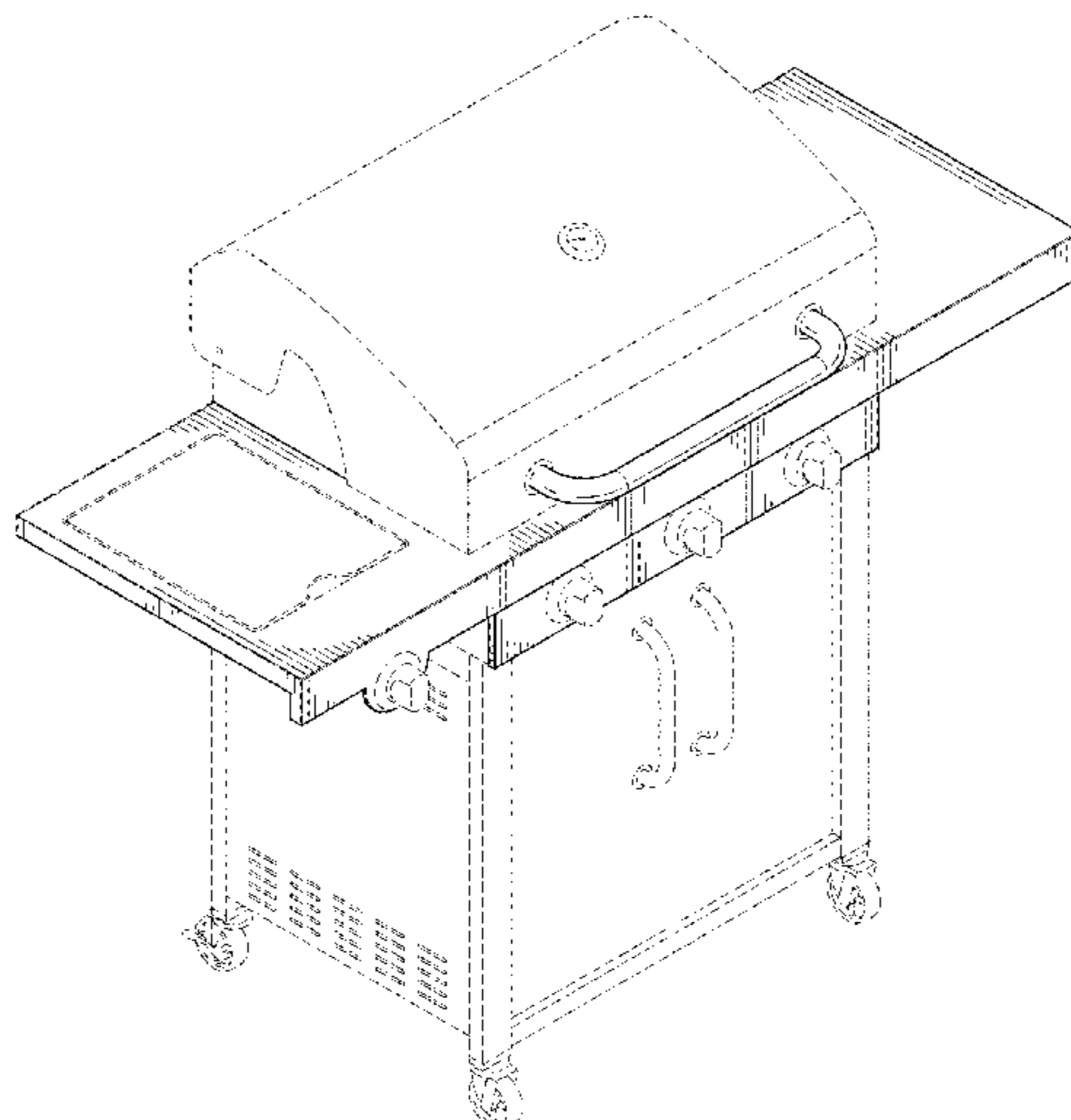
FIG. 5 is a left elevational view of the grill platform of the invention.

FIG. 6 is a top plan view of the grill platform of the invention; and,

FIG. 7 is a bottom plan view of the grill platform of the invention.

The broken lines in the drawings of the grill platform are for environmental illustration only and form no part of the claimed design.

1 Claim, 6 Drawing Sheets



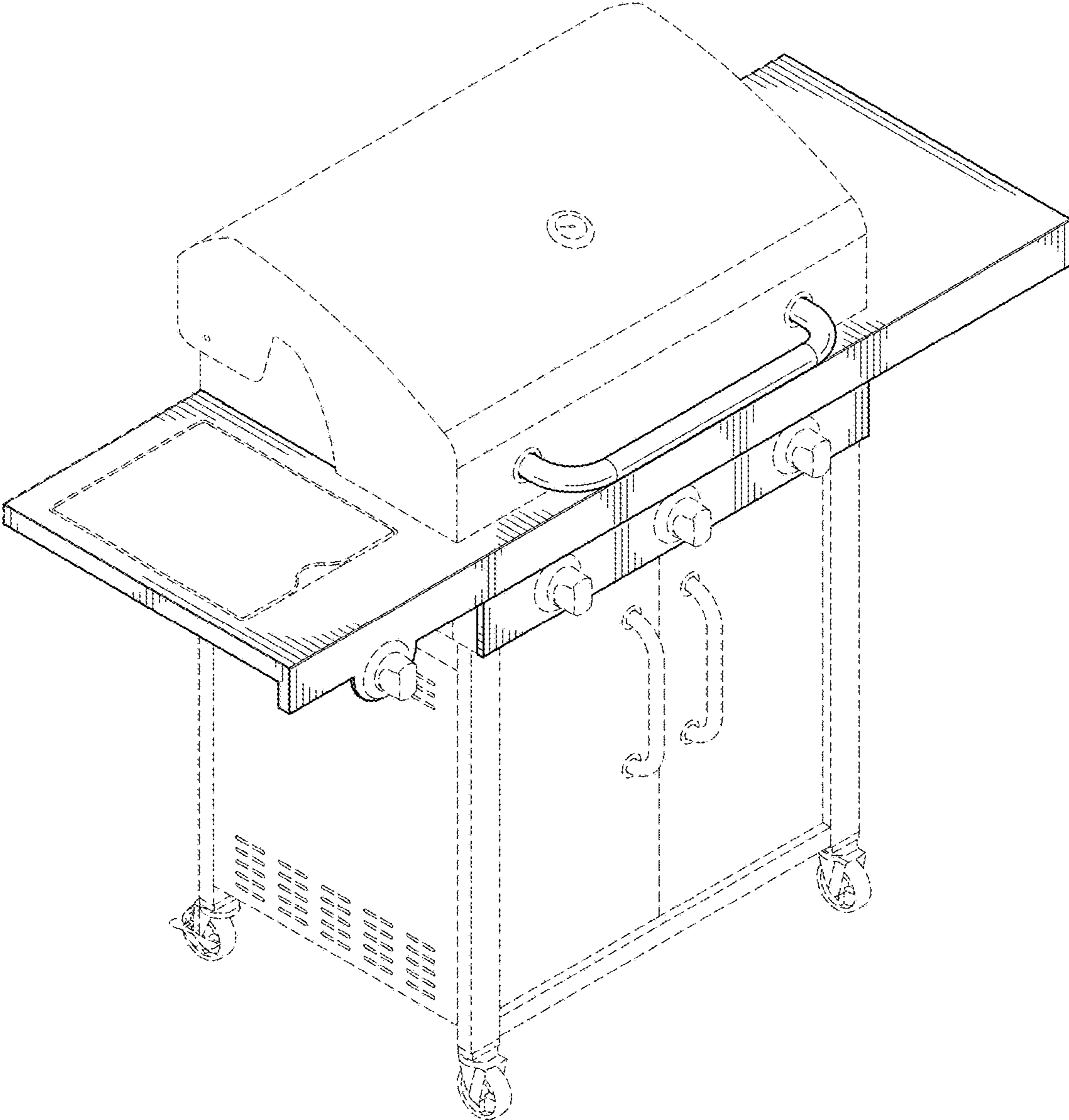


FIG. 1

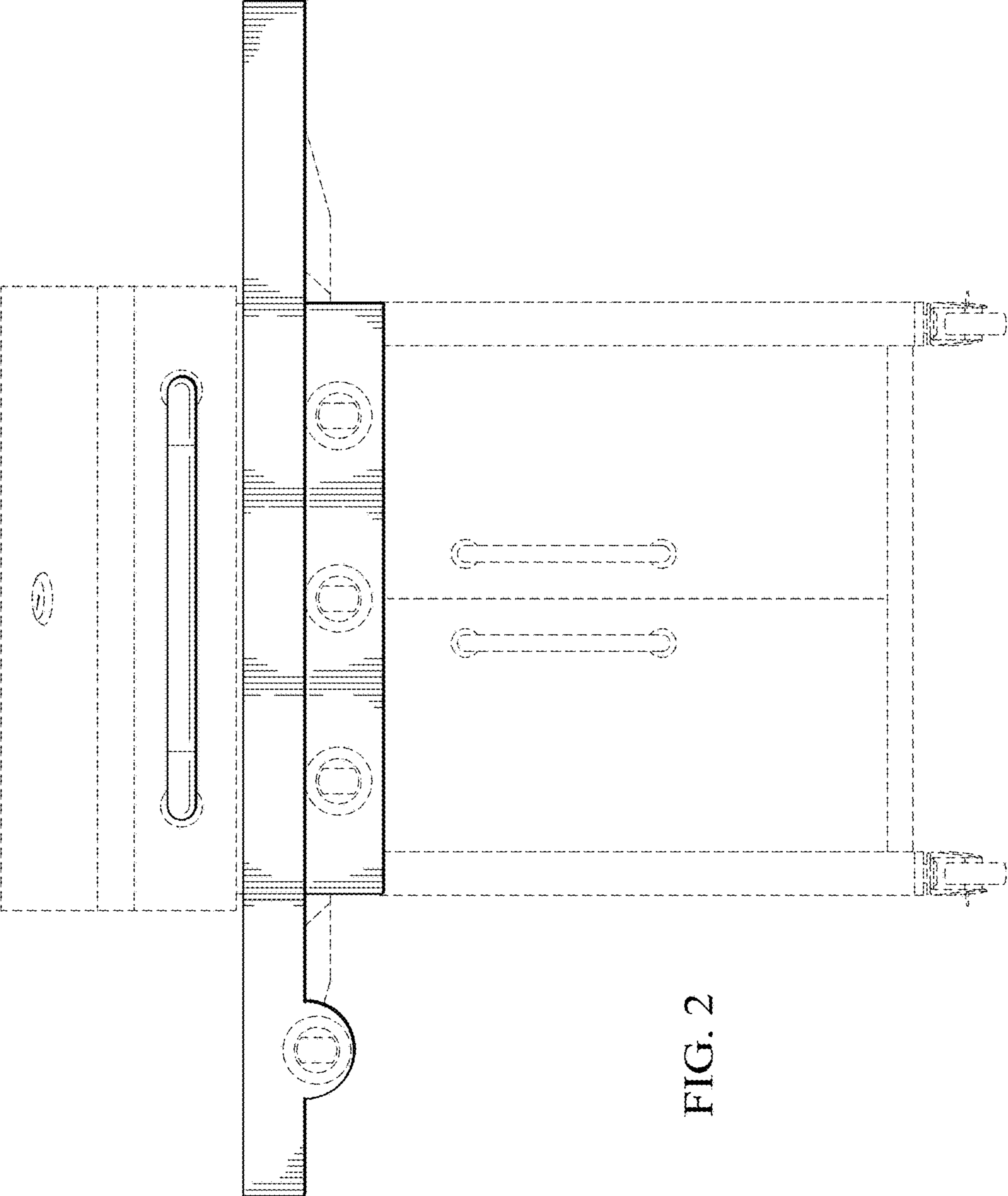
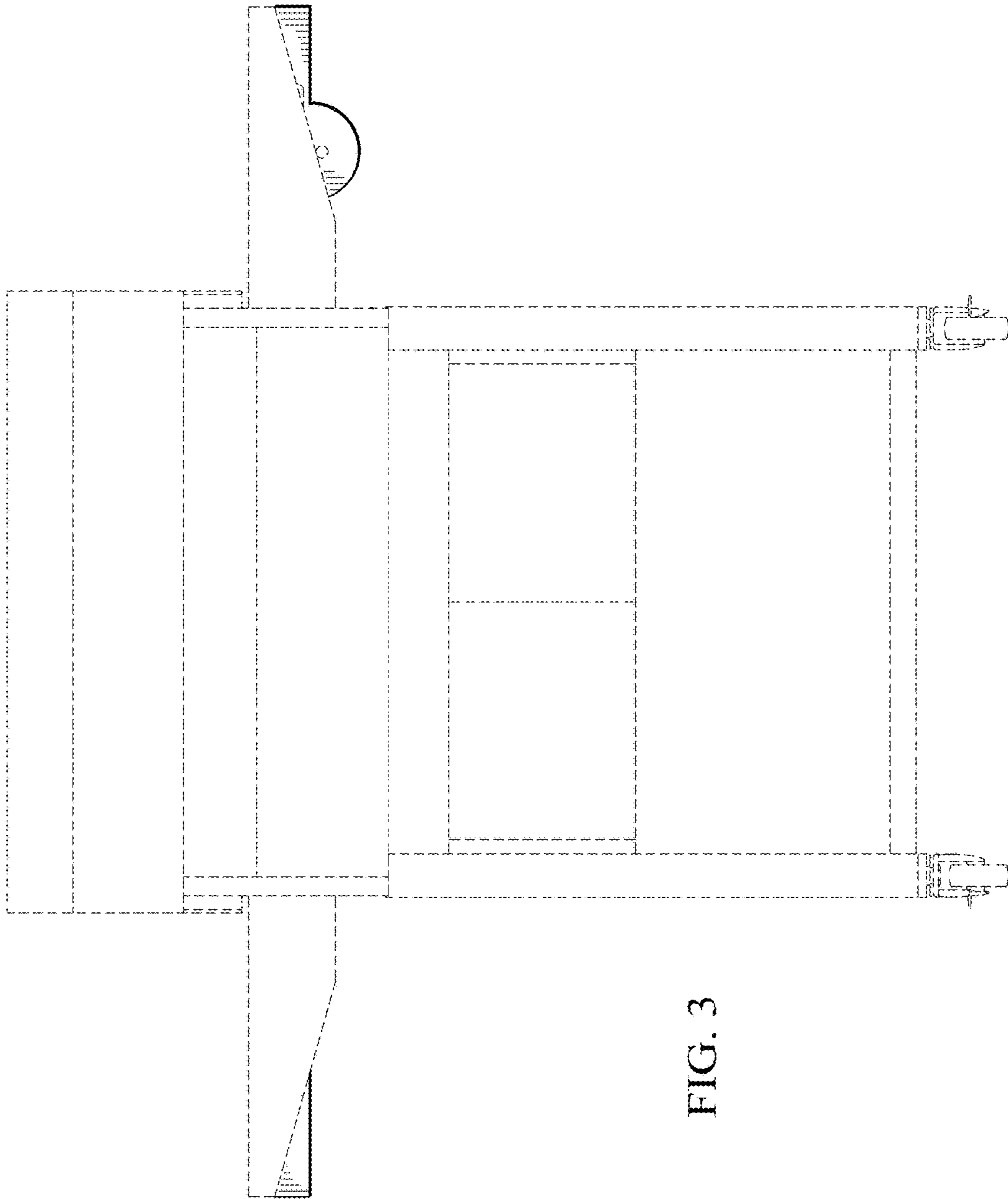


FIG. 2



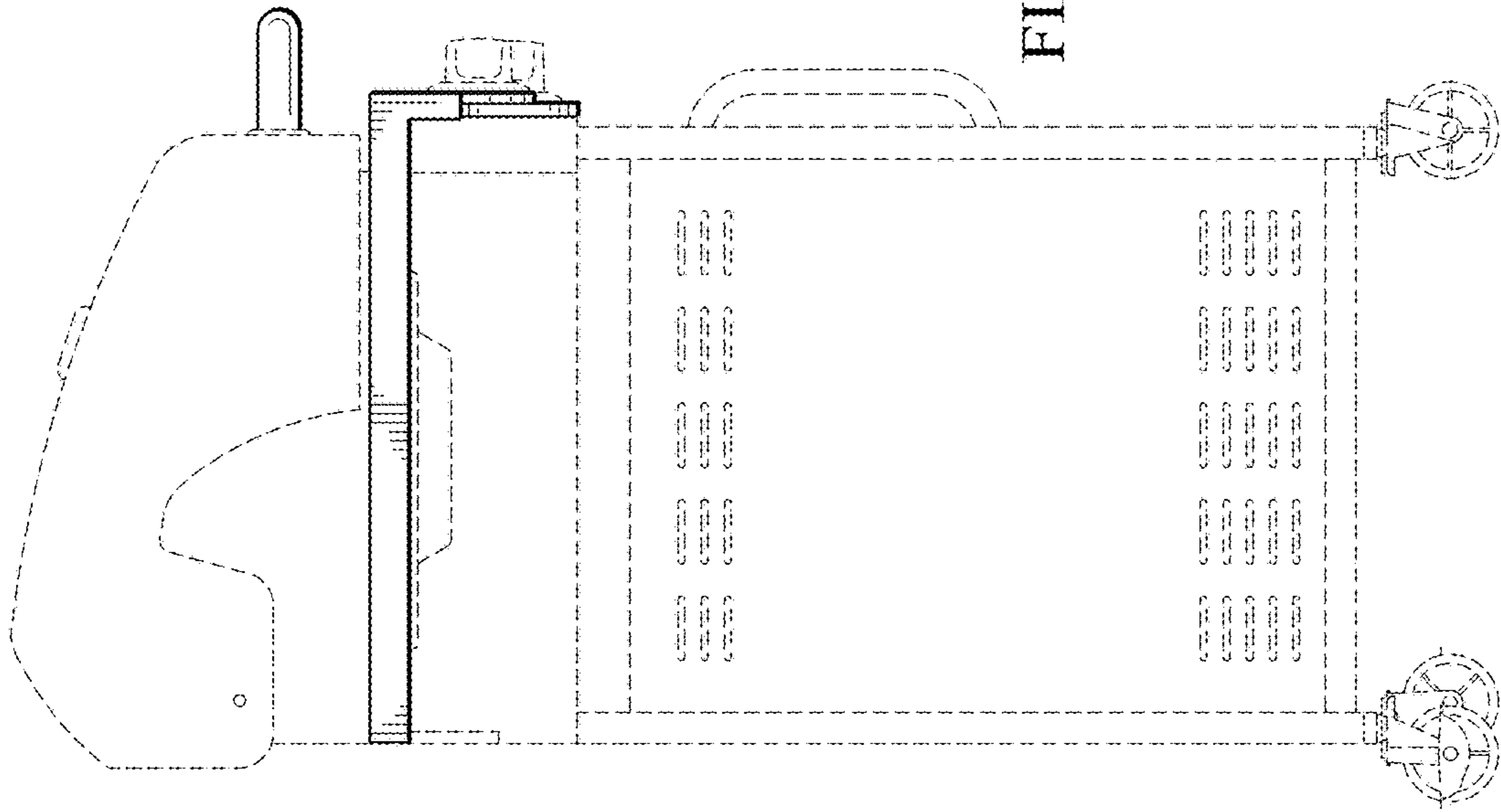


FIG. 5

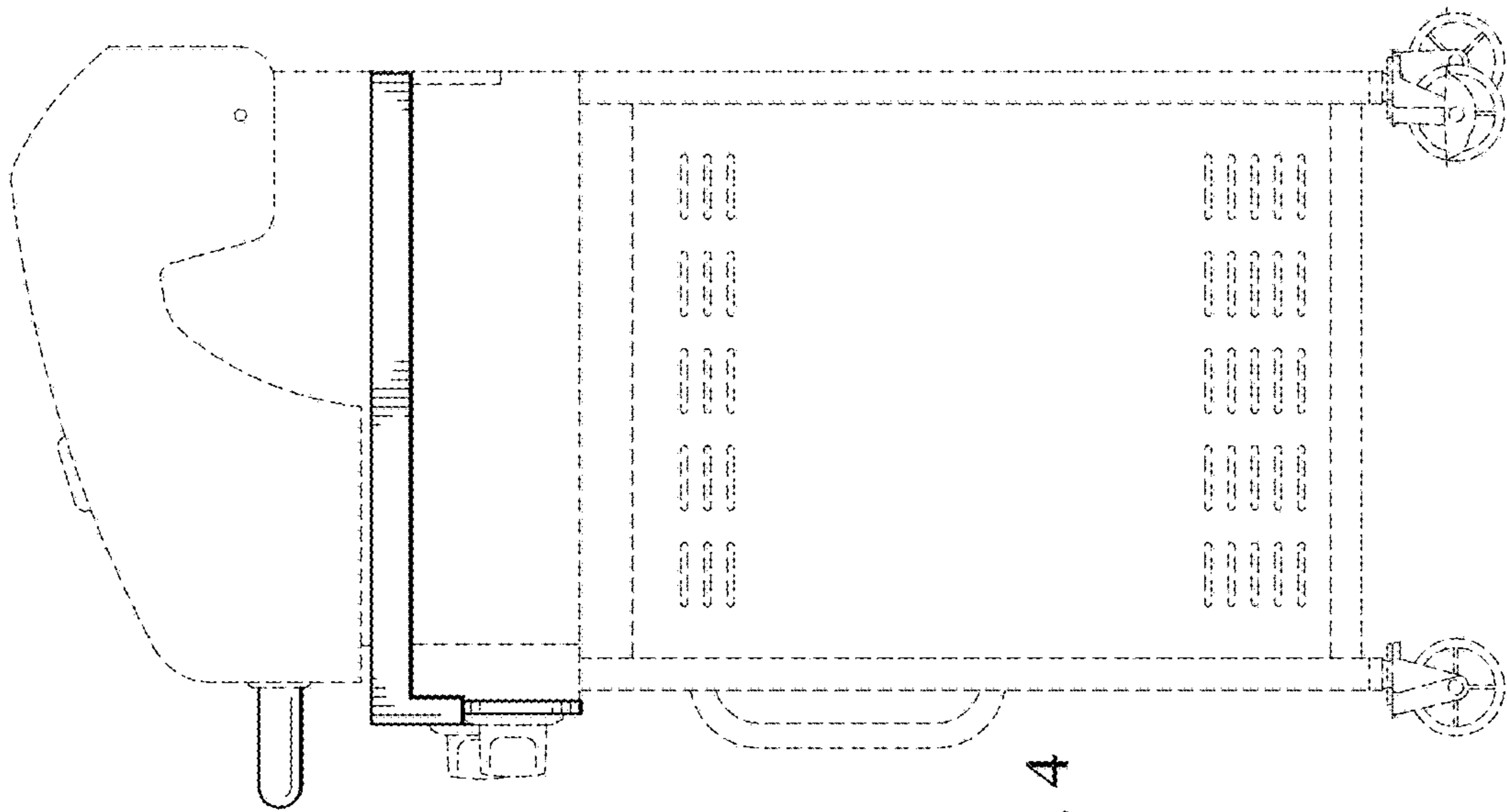


FIG. 4

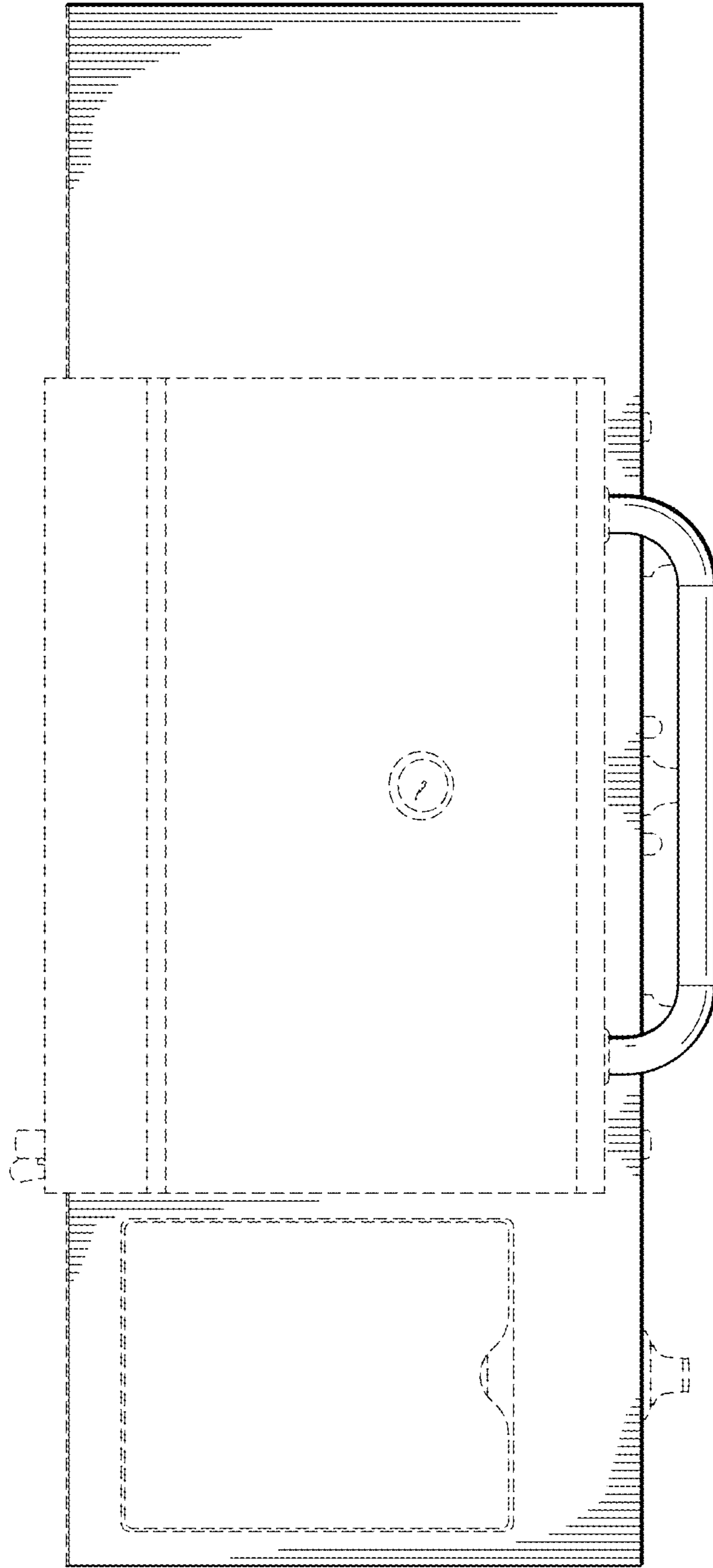


FIG. 6

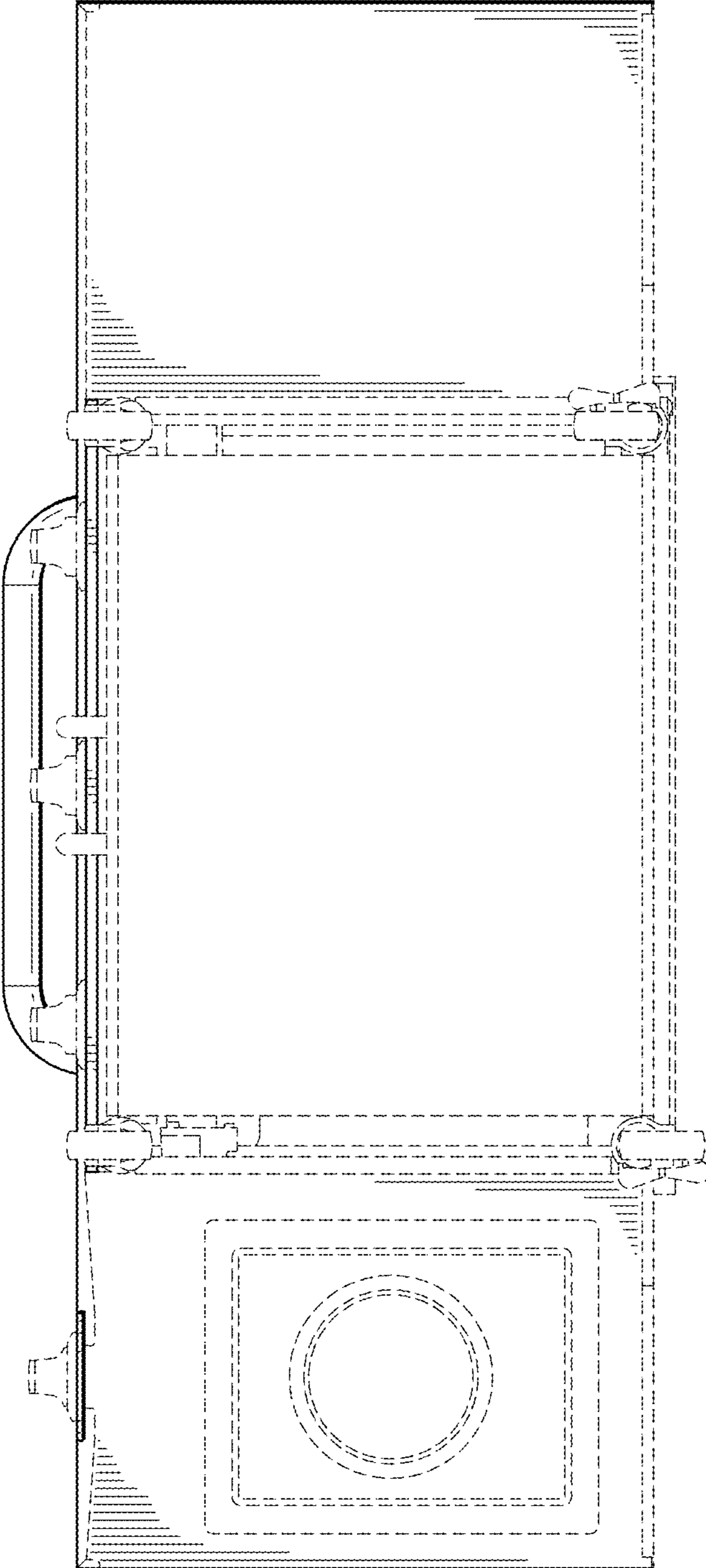


FIG. 7