



US00D829496S

(12) **United States Design Patent** (10) **Patent No.:** **US D829,496 S**  
**Kim** (45) **Date of Patent:** **\*\* Oct. 2, 2018**

(54) **BLENDER**

(56) **References Cited**

(71) Applicant: **NUC Electronics Co., Ltd., Daegu (KR)**

U.S. PATENT DOCUMENTS

(72) Inventor: **Jong Boo Kim, Daegu (KR)**

D176,257 S *	12/1955	Hill	.....	D7/378
D181,541 S *	11/1957	Madl	.....	D7/378
D187,684 S *	4/1960	Hauser	.....	D7/378
D642,858 S *	8/2011	Lazzer	.....	D7/376
D747,135 S *	1/2016	Ha	.....	D7/376
D755,004 S *	5/2016	Bock	.....	D7/376
D758,787 S *	6/2016	Ou	.....	D7/376
D759,424 S *	6/2016	Ou	.....	D7/376
D769,061 S *	10/2016	Diderotto	.....	D7/376
D782,865 S *	4/2017	Bazzicalupo	.....	D7/376
D784,071 S *	4/2017	Davies	.....	D7/376
D801,109 S *	10/2017	Lee	.....	D7/386
D811,806 S *	3/2018	Bock	.....	D7/386

(73) Assignee: **NUC ELECTRONICS CO., LTD., Daegu (KR)**

(\*\*) Term: **15 Years**

(21) Appl. No.: **29/610,293**

(22) Filed: **Jul. 11, 2017**

(30) **Foreign Application Priority Data**

Jan. 19, 2017 (KR) ..... 30-2017-0003225

(51) **LOC (11) Cl.** ..... **31-00**

(52) **U.S. Cl.**  
USPC ..... **D7/378; D7/376; D7/412; D7/413**

(58) **Field of Classification Search**  
USPC ..... D7/317, 372, 376-386, 412-413, 602, D7/629, 665-666, 669, 679, 693-694  
CPC .... A21C 1/02; A21C 1/04; A23N 1/00; A23N 1/02; A47J 43/04; A47J 43/25; A47J 43/27; A47J 43/042; A47J 43/044; A47J 43/046; A47J 43/075; A47J 43/0722; A47J 43/0727; B01F 3/00; B01F 3/0807; B01F 3/0853; B01F 13/0059; B01F 13/0064; B02C 1/08; B02C 2/04; B02C 4/42; B02C 4/142; B02C 4/143; B02C 4/423; B02C 13/1835; B28C 5/10; B28C 5/12; B28C 5/14; B28C 5/16

See application file for complete search history.

\* cited by examiner

*Primary Examiner* — Ricky Pham

(74) *Attorney, Agent, or Firm* — Seed IP Law Group LLP

(57) **CLAIM**

The ornamental design for a blender, as shown and described.

**DESCRIPTION**

FIG. 1 is a pictorial view of a top, left, front, axonometric view a blender showing a new design.

FIG. 2 is a front view thereof.

FIG. 3 is a rear view thereof.

FIG. 4 is a left side view thereof.

FIG. 5 is a right side view thereof.

FIG. 6 is a top plan view thereof; and,

FIG. 7 is a bottom plan view thereof.

**1 Claim, 7 Drawing Sheets**

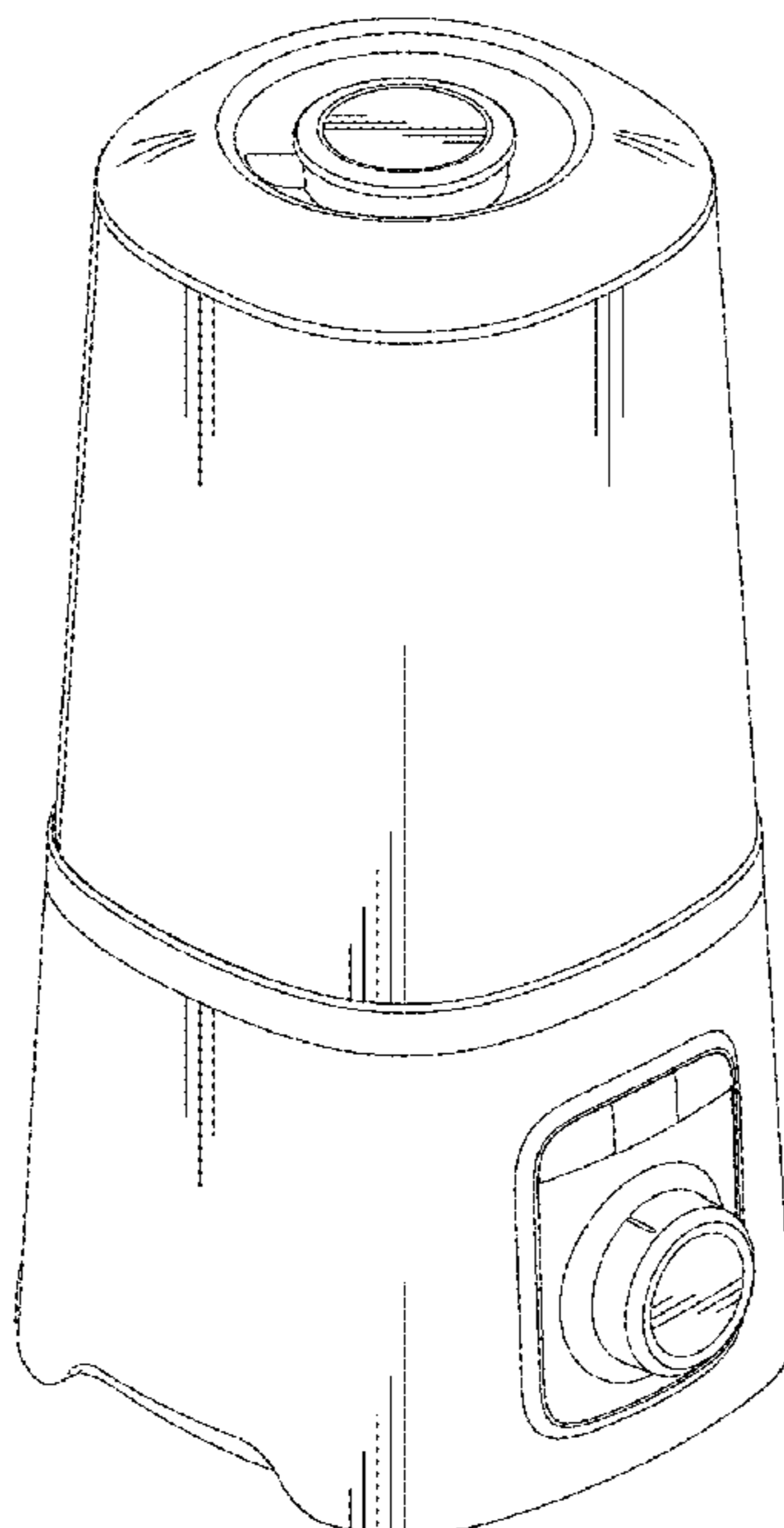


Fig. 1

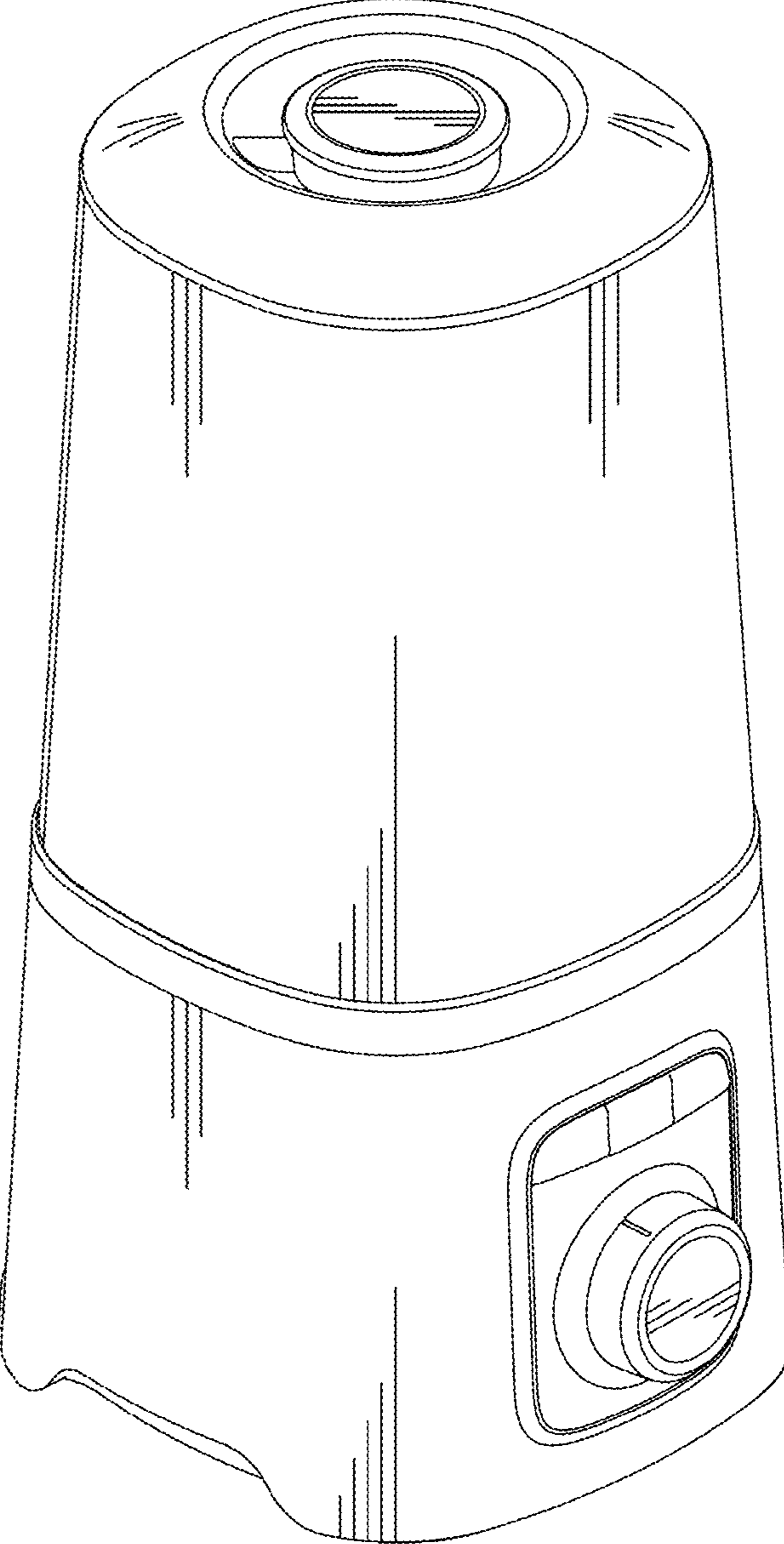


Fig. 2

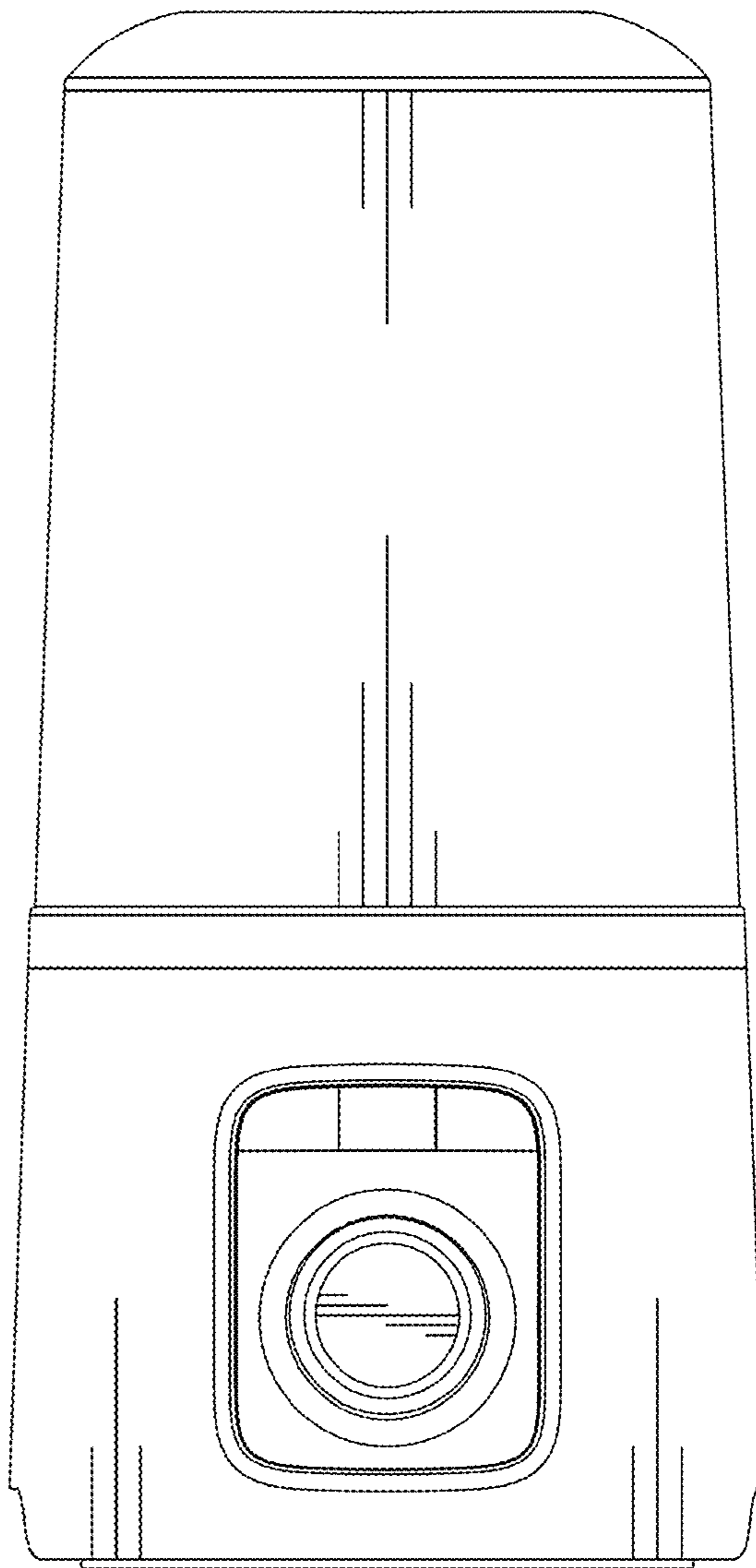


Fig. 3

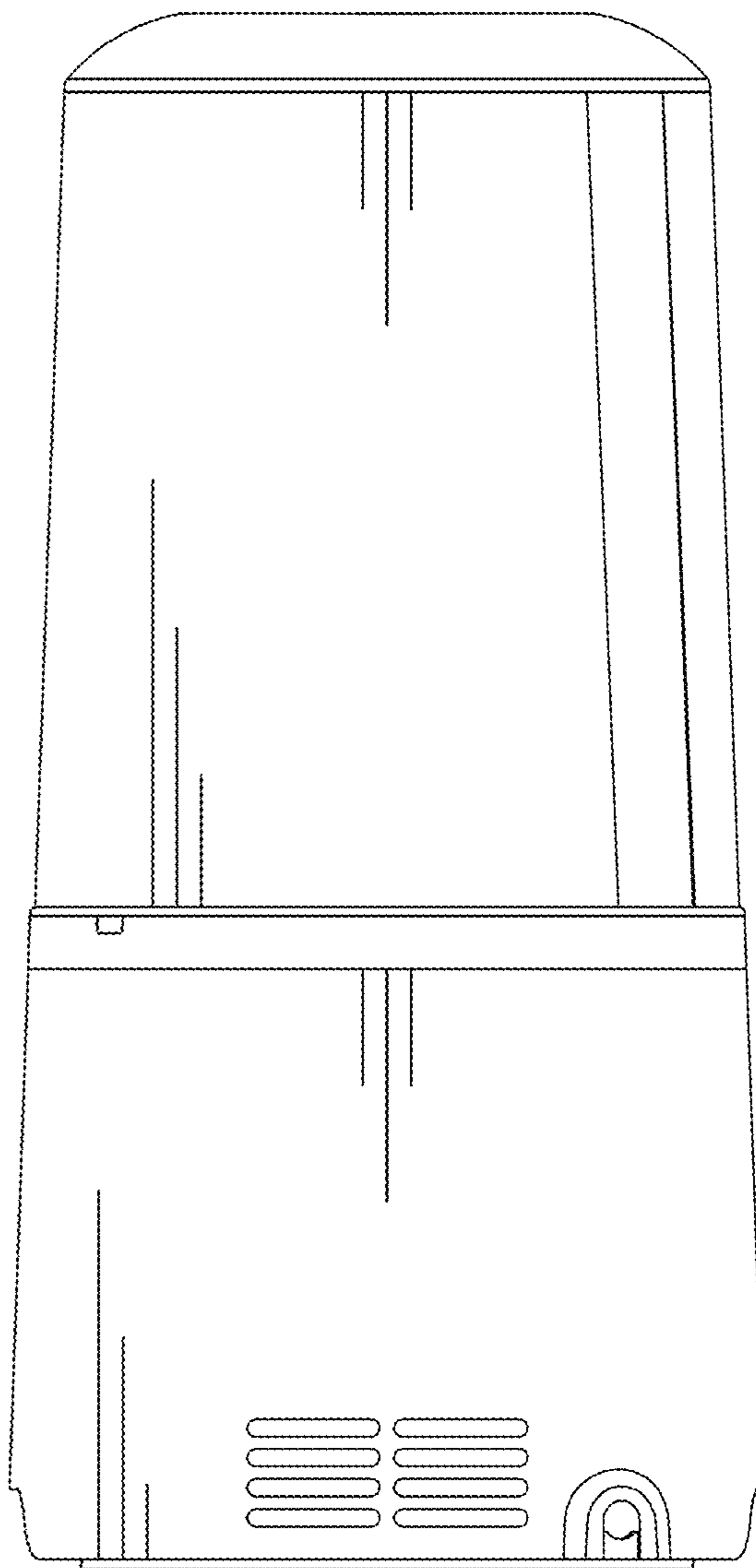


Fig. 4

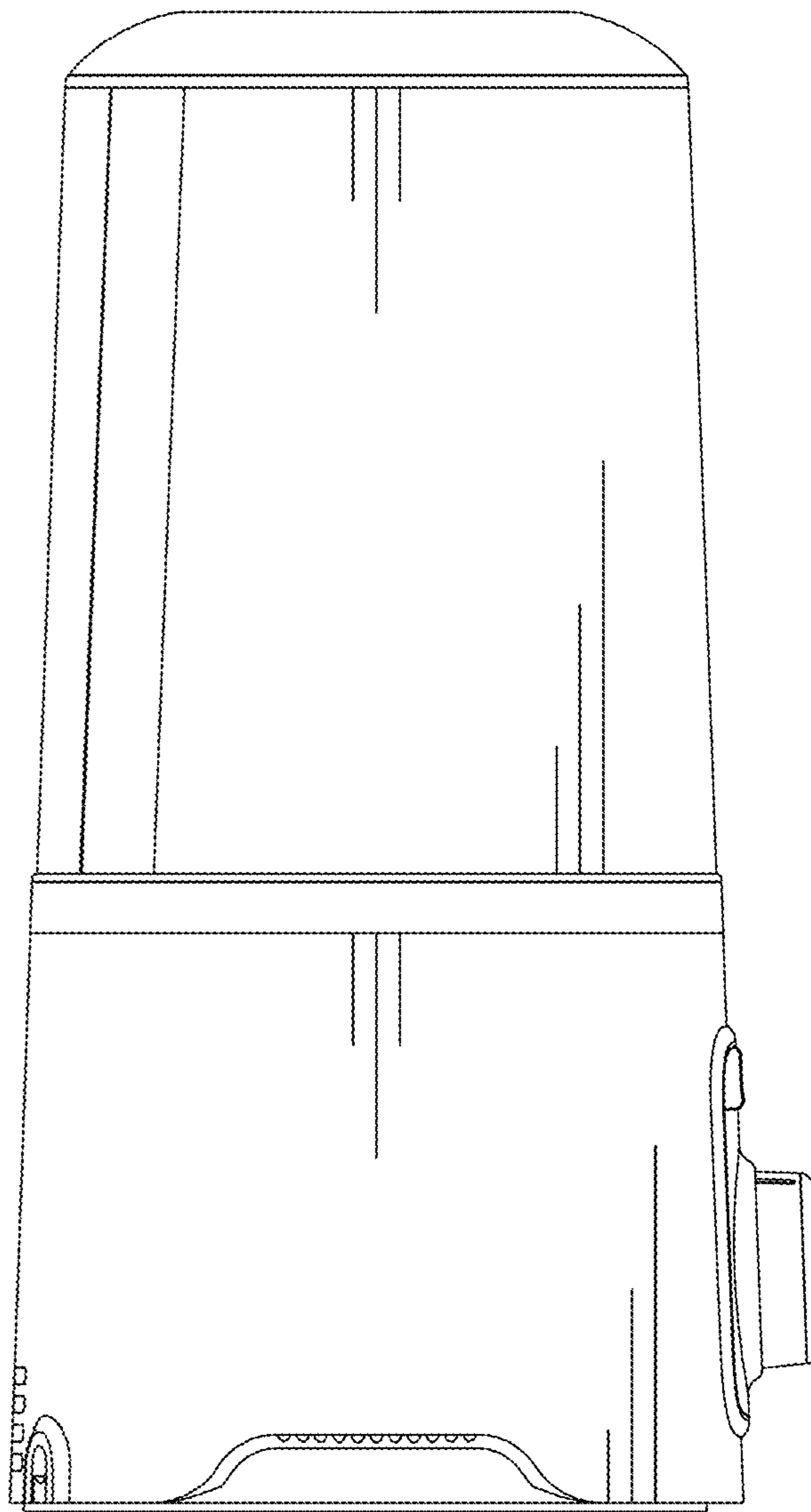


Fig. 5

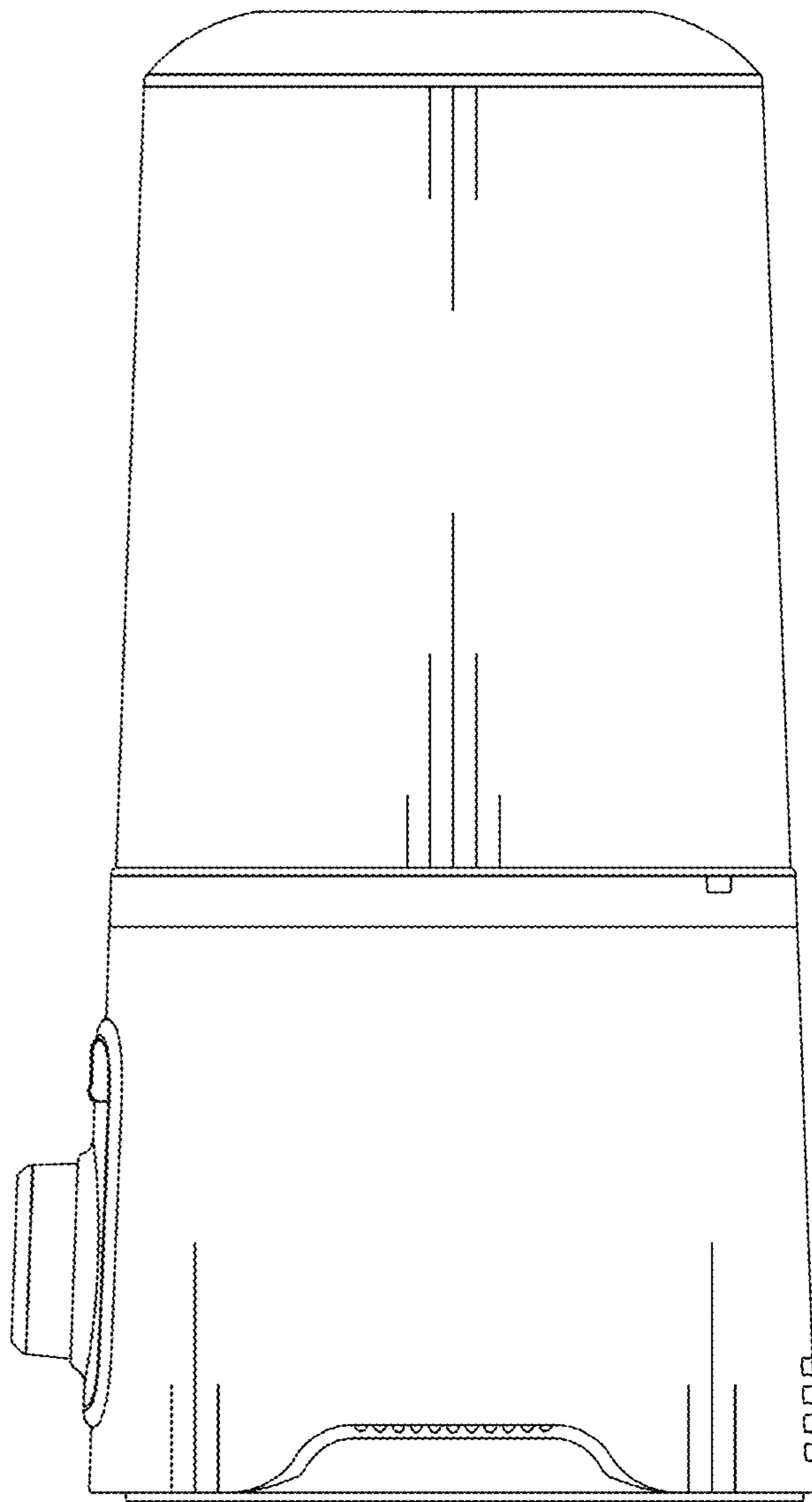


Fig. 6

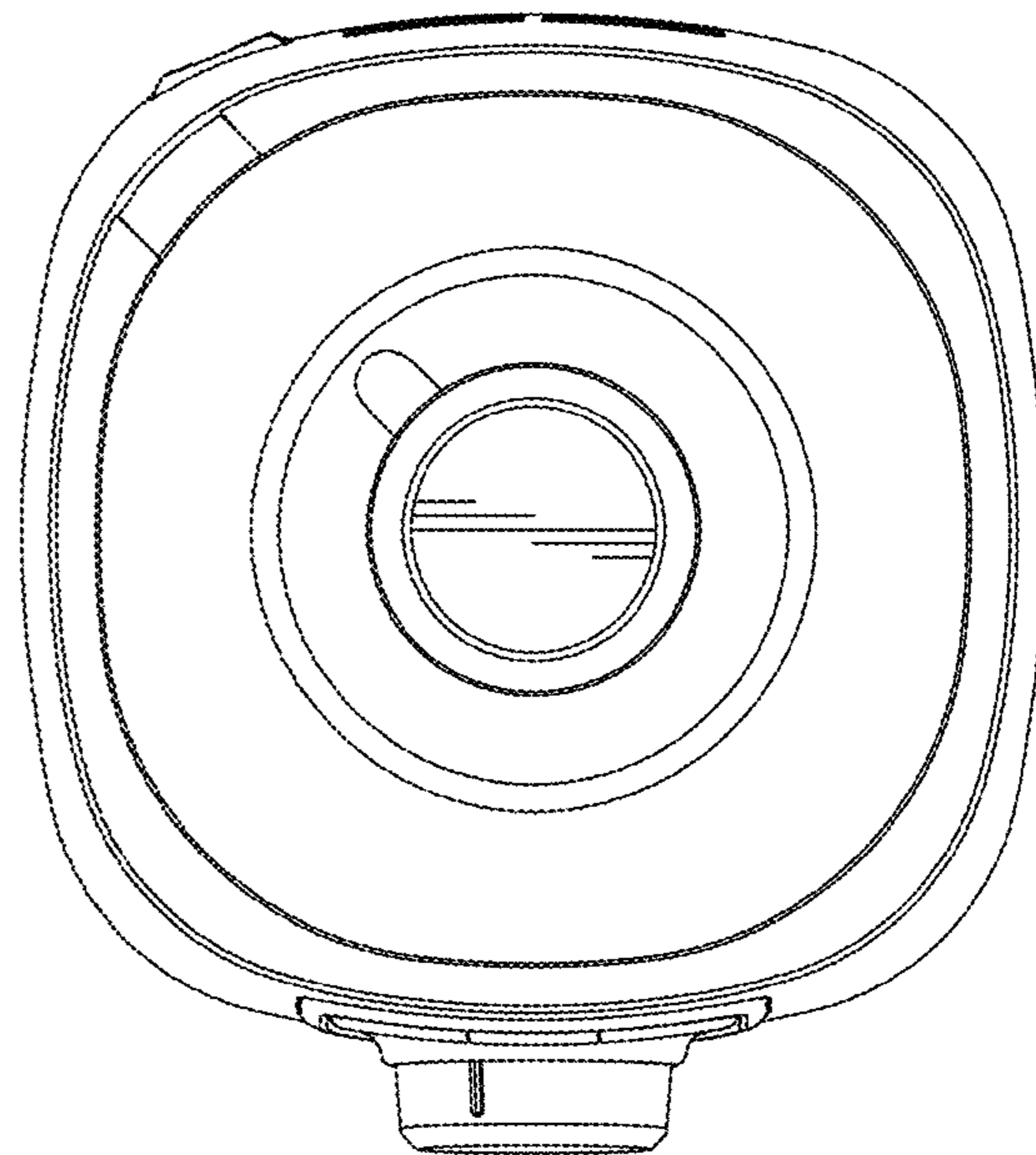




Fig. 7

