



US00D829494S

(12) **United States Design Patent** (10) **Patent No.:** **US D829,494 S**
Lee (45) **Date of Patent:** **** Oct. 2, 2018**

(54) **INFRARED HEATING COOKER**

(71) Applicant: **ZAIGLE CO., LTD.**, Seoul (KR)

(72) Inventor: **Jin Hee Lee**, Seoul (KR)

(73) Assignee: **ZAIGLE CO., LTD.**, Seoul (KR)

(**) Term: **15 Years**

(21) Appl. No.: **29/595,673**

(22) Filed: **Mar. 1, 2017**

(30) **Foreign Application Priority Data**

Sep. 8, 2016 (KR) 30-2016-0044263

(51) **LOC (11) Cl.** **07-02**

(52) **U.S. Cl.**
USPC **D7/362**

(58) **Field of Classification Search**
USPC D7/323, 334, 339-341, 352, 354-355,
D7/362-367, 402-403, 601
CPC A21B 1/06; A21B 1/50; A21B 1/52; A47J
37/0611; A47J 37/0629; A47J 37/0676;
A47J 37/108; F24C 7/06; F24C 7/083;
F24C 15/02; F24C 15/66; H05B 3/20;
H05B 3/40

See application file for complete search history.

(56) **References Cited**

U.S. PATENT DOCUMENTS

D196,826 S *	11/1963	Norton	D7/365
3,251,355 A *	5/1966	Keating	A47J 36/26 126/40
D230,072 S *	1/1974	Chaudoir	D7/355
D458,078 S *	6/2002	Lin	D7/362
6,575,154 B1 *	6/2003	Freeman, Jr.	F24C 3/14 126/38
D633,335 S *	3/2011	Groll	D7/402
D653,904 S *	2/2012	Lee	D7/362
D710,143 S *	8/2014	Lee	D7/362
D710,144 S *	8/2014	Lee	D7/362
D795,001 S *	8/2017	Lee	D7/362

OTHER PUBLICATIONS

APW Wyott PD-1A Portable French Fry Warmer, posted at Acitydiscount.com, posted on © 2017, site visited Jan. 2, 2018, <<https://www.acitydiscount.com/APW-Wyott-Portable-French-Fry-Warmer-Stainless-Steel-575-Watt-120V-PD-1A.0.156589.1.1.htm>>.*

Bartscher Infrared food warmer, posted at Catering-equipment-shop.com, no posting date given, site visited Jan. 2, 2018, <<http://www.catering-equipment-shop.com/3080@A114001/Bartscher-Infrared-food-warmer-1-1GN.htm>>.*

* cited by examiner

Primary Examiner — Barbara G Fox

Assistant Examiner — Messina L Smith

(74) *Attorney, Agent, or Firm* — Kile Park Reed & Houtteman PLLC

(57) **CLAIM**

I claim, the ornamental design for an infrared heating cooker, as shown and described.

DESCRIPTION

FIG. 1 is a top and front perspective view of an infrared heating cooker, showing my new design;
FIG. 2 is a front view thereof;
FIG. 3 is a rear view thereof;
FIG. 4 is a left side view thereof;
FIG. 5 is a right side view thereof;
FIG. 6 is a top view thereof;
FIG. 7 is a bottom view thereof;
FIG. 8 is a view showing an enlargement of the portion shown in FIG. 2; and,
FIG. 9 is a reference view showing an enlargement of the portion shown in FIG. 4.

The broken lines are shown for the purpose of depicting portions of the infrared heating cooker that form no part of the claim.

1 Claim, 7 Drawing Sheets

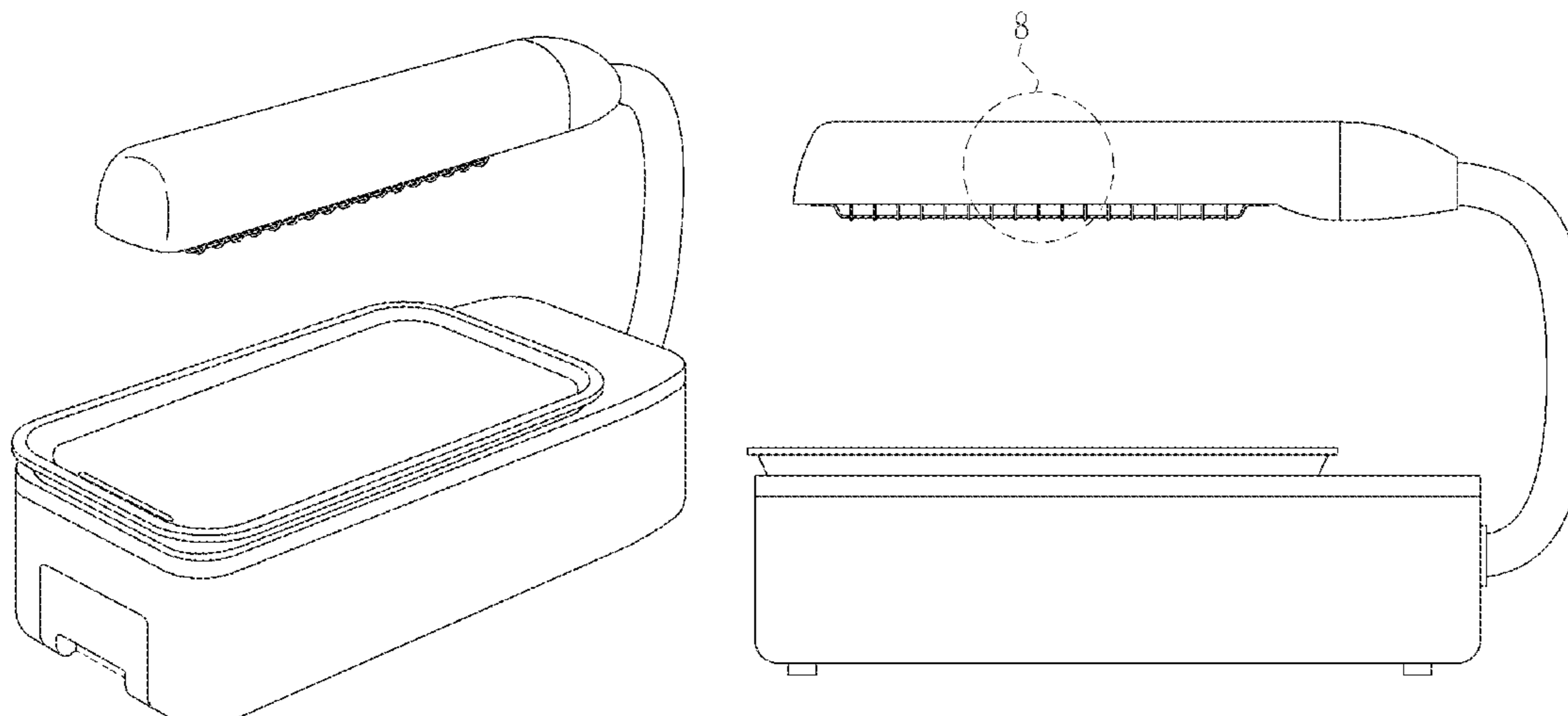


FIG. 1

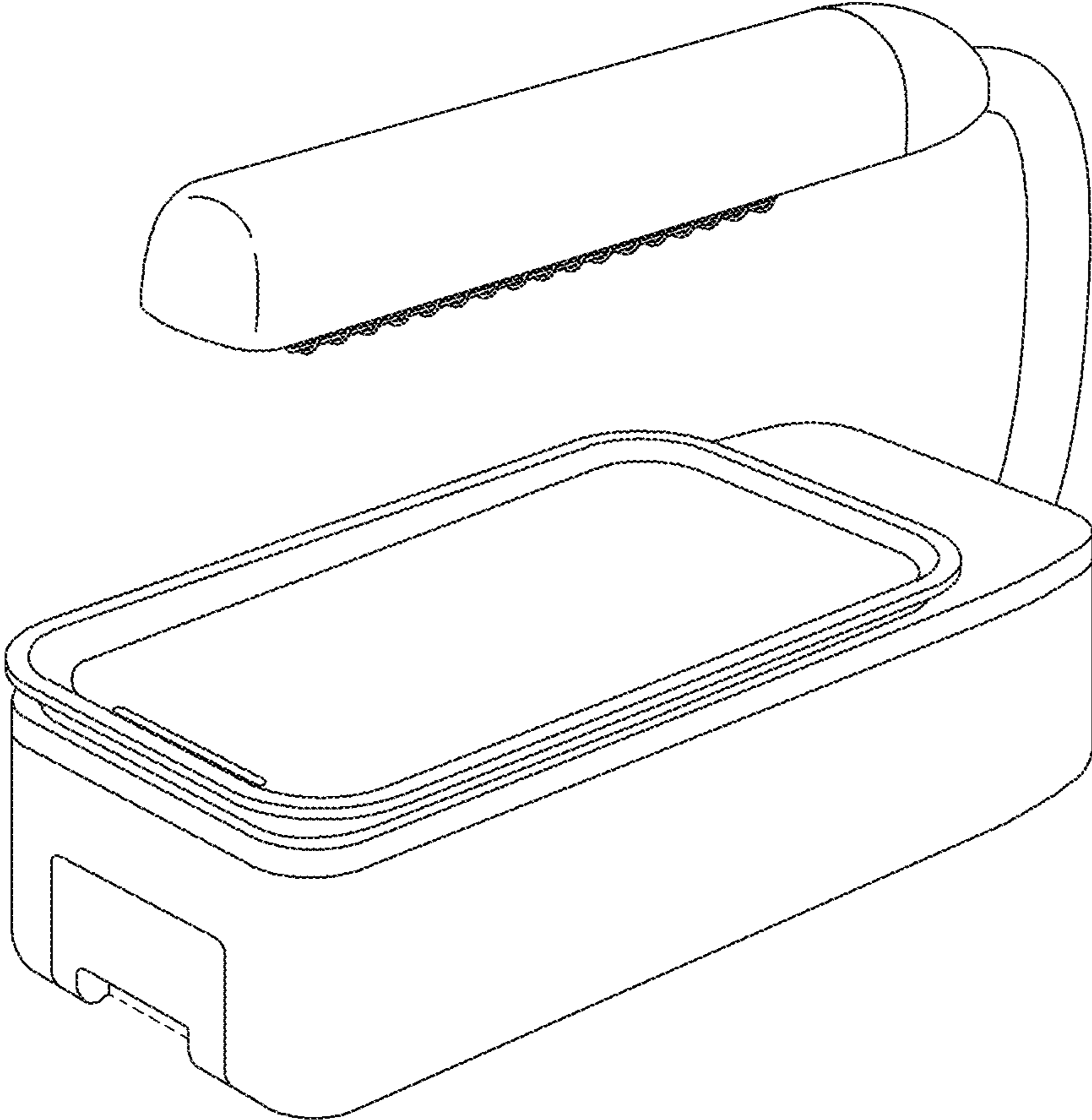


FIG. 2

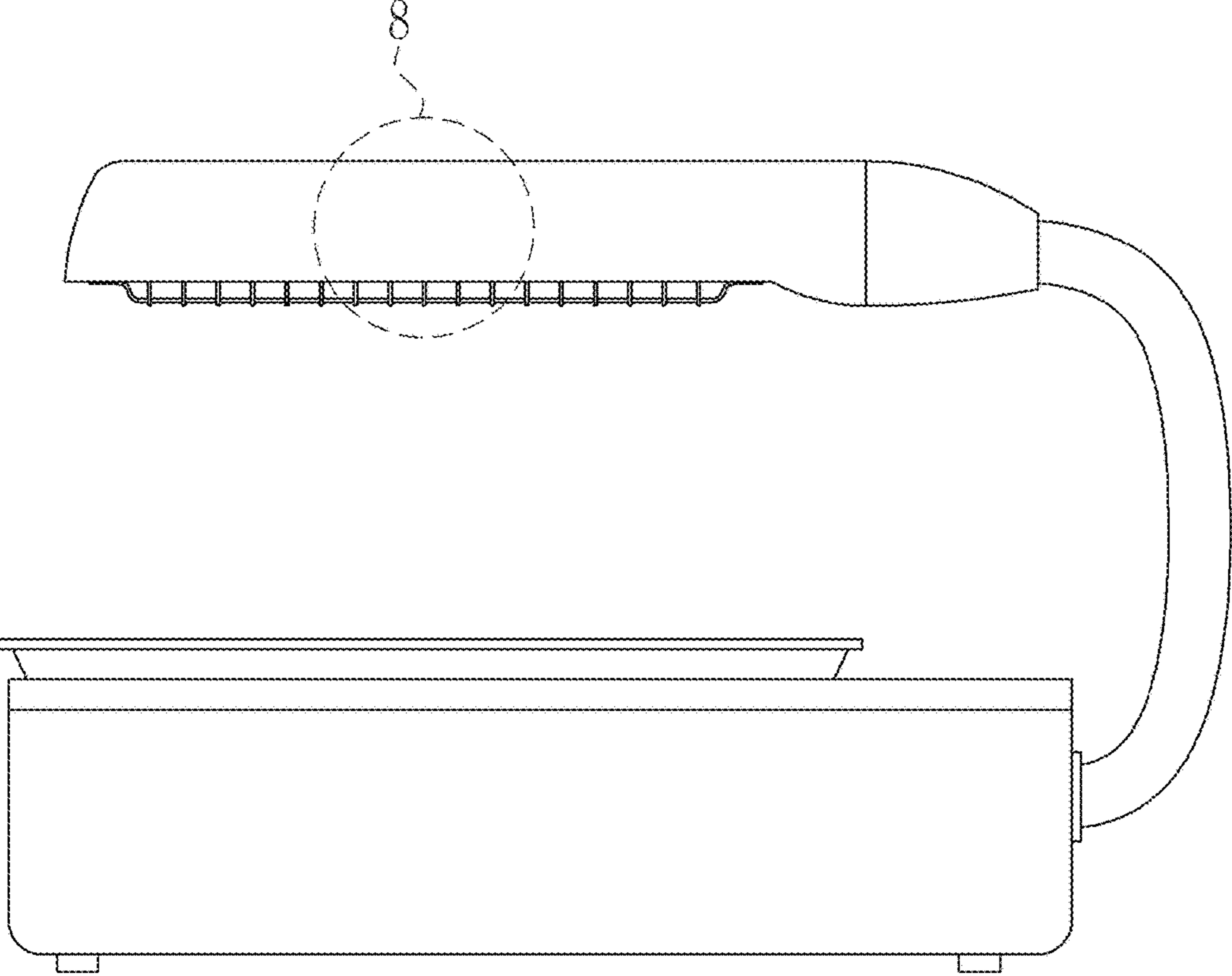


FIG. 3

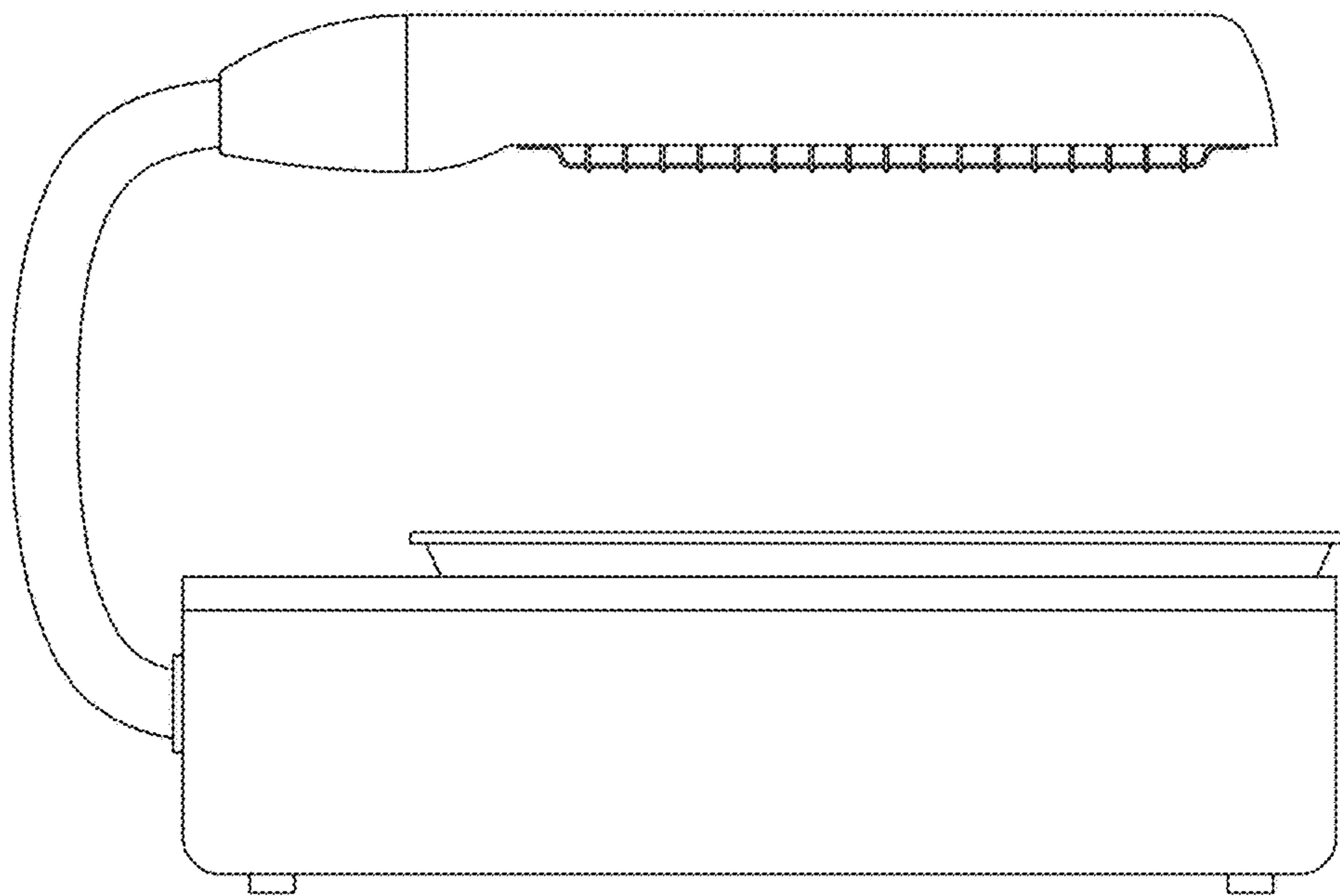


FIG. 4

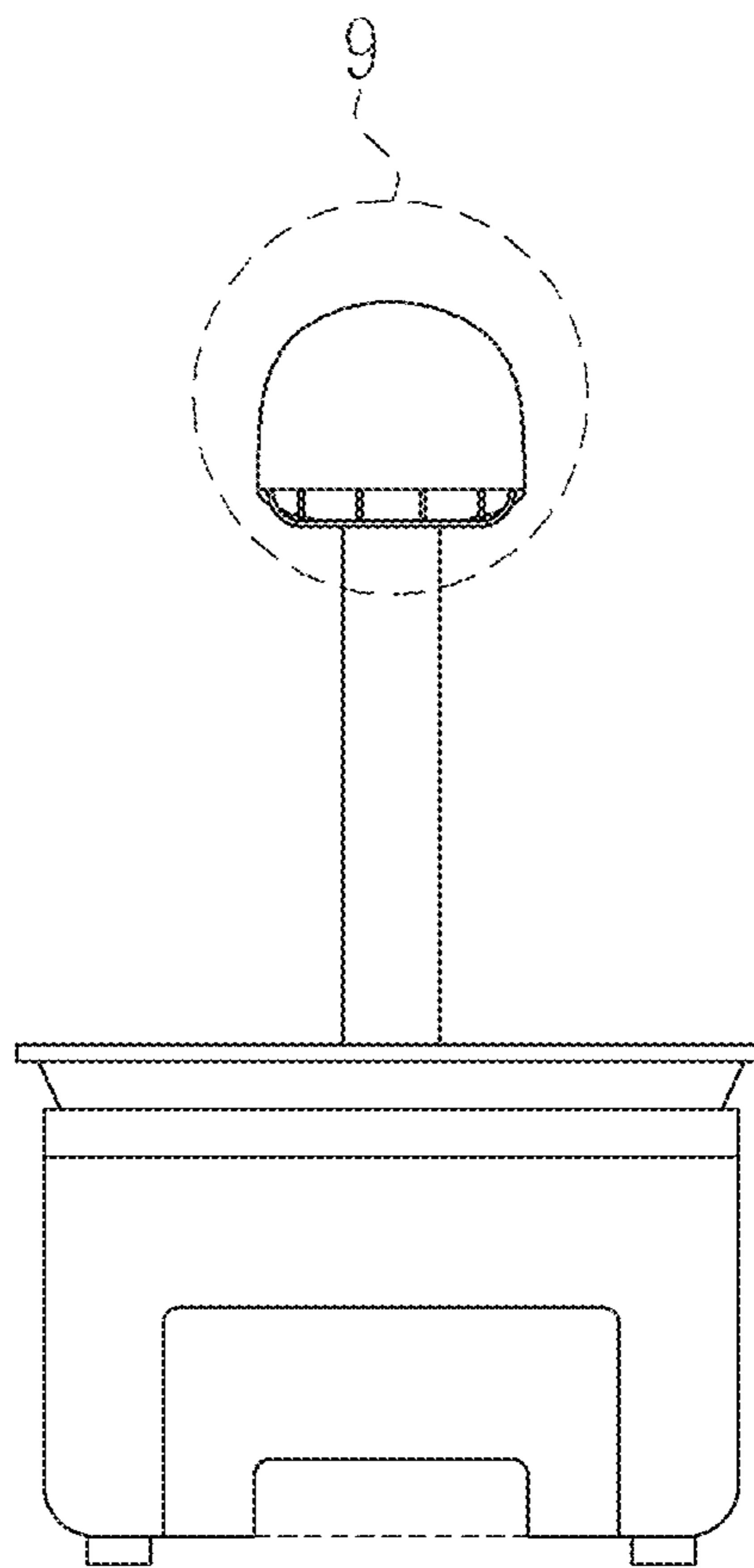


FIG. 5

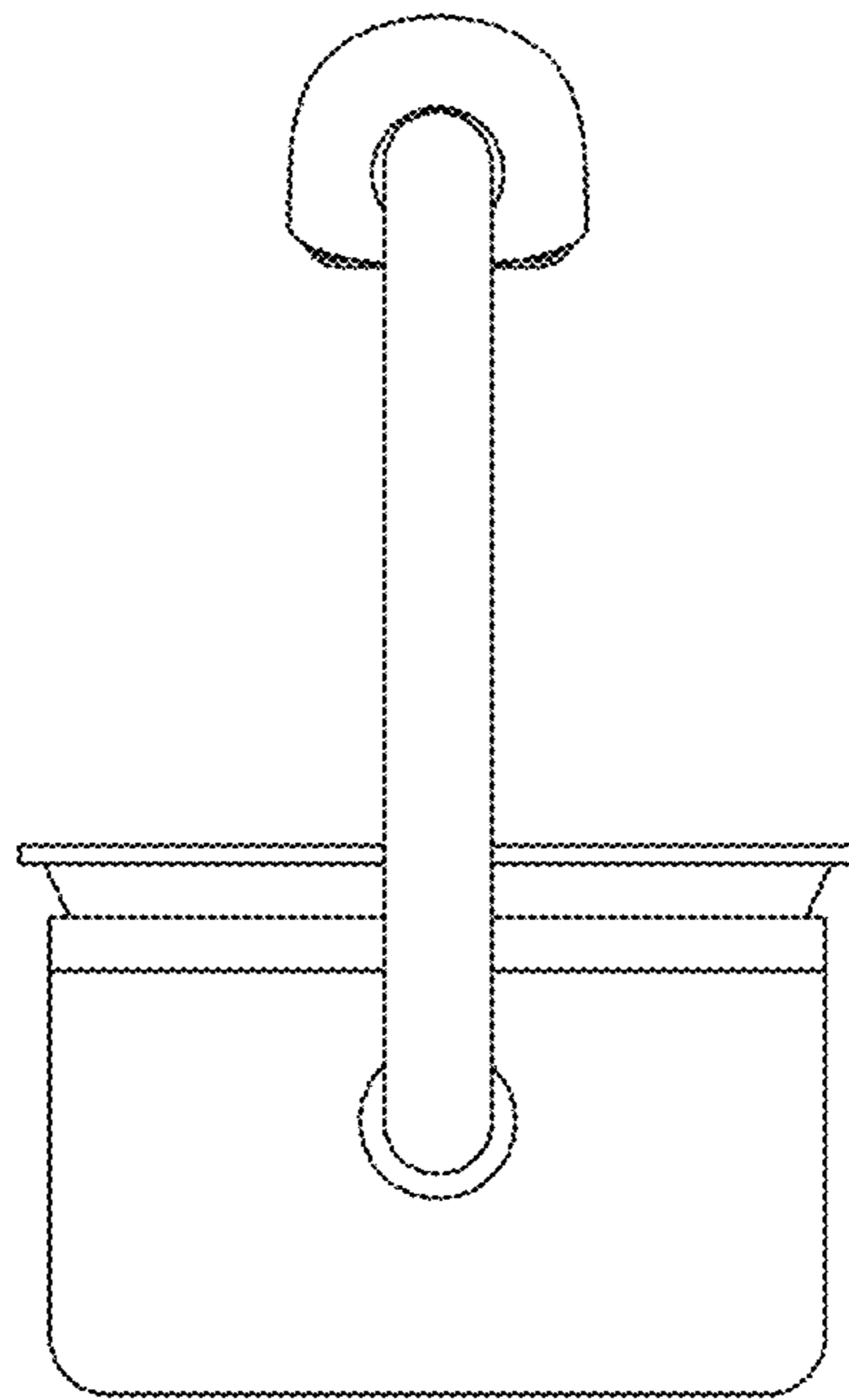


FIG. 6

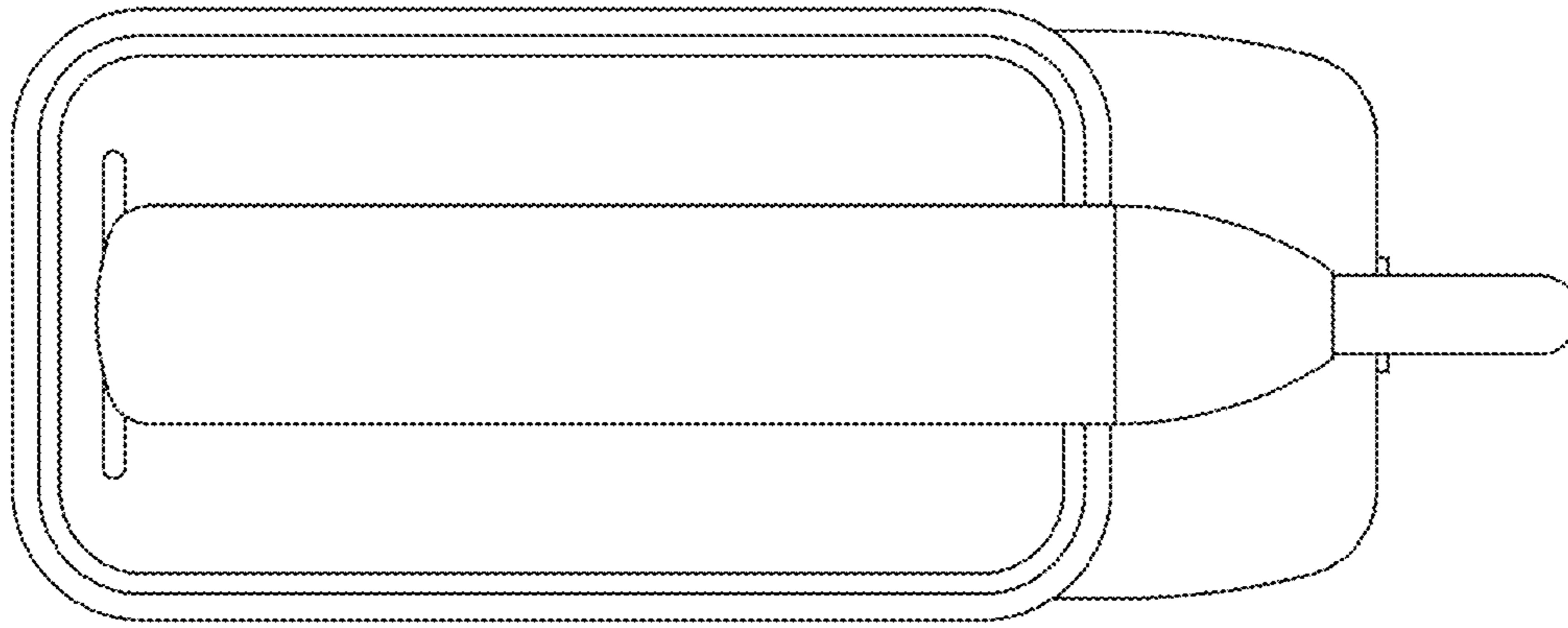


FIG. 7

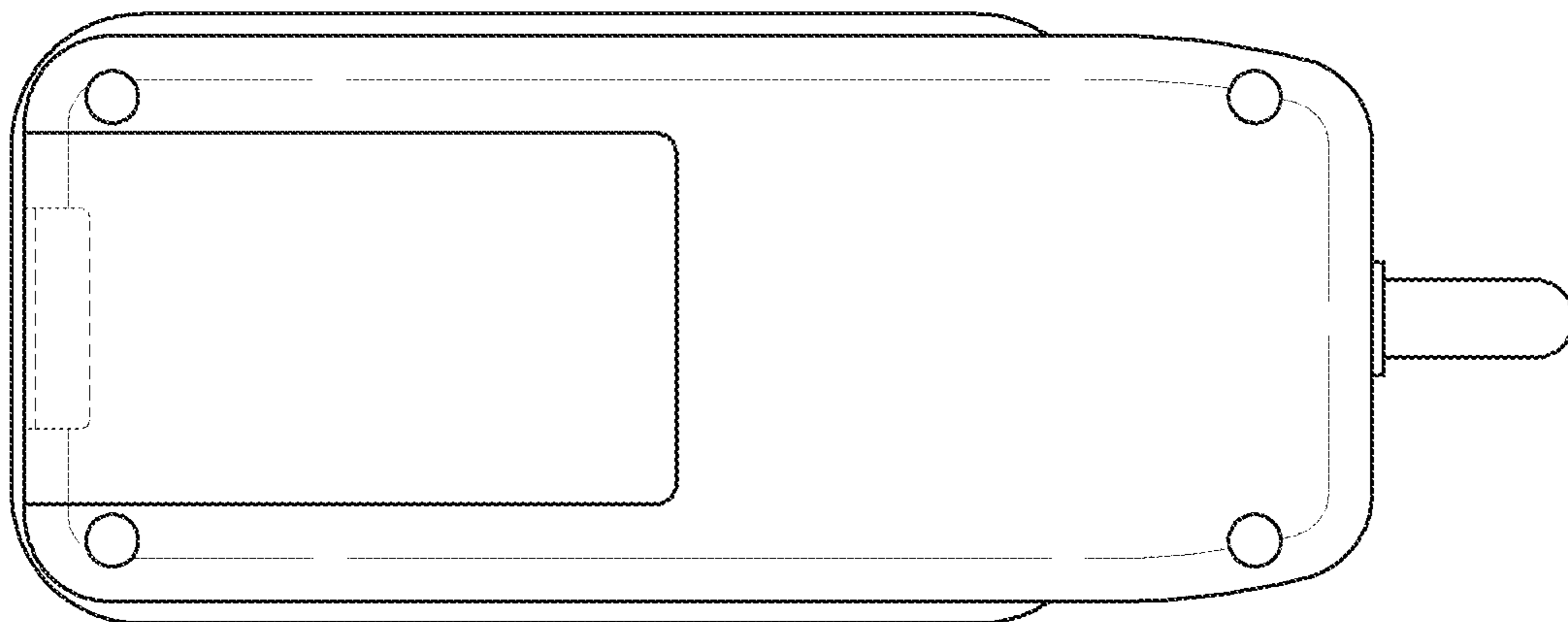


FIG. 8

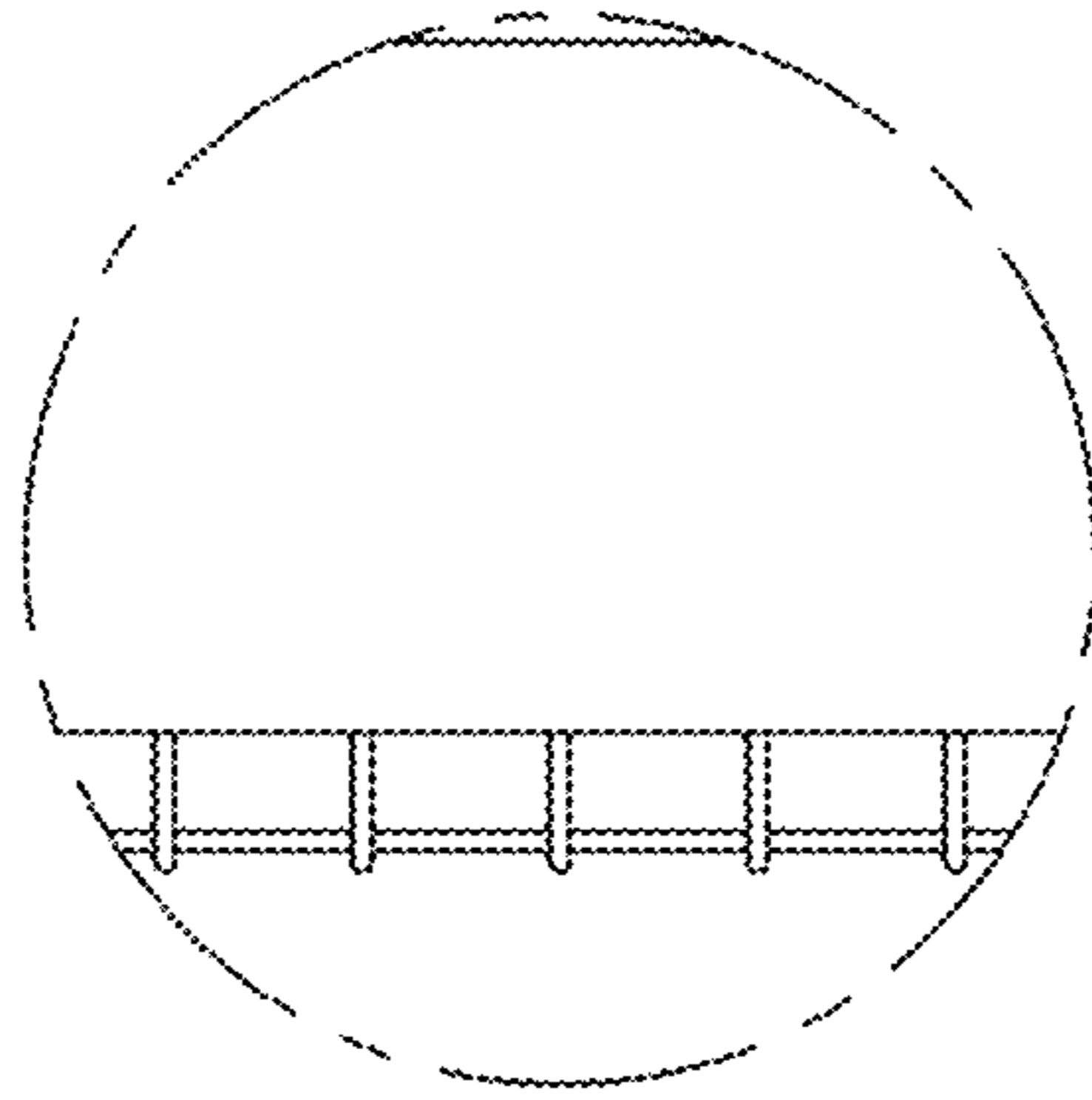


FIG. 9

