



US00D829490S

(12) **United States Design Patent**
Dhirmalani

(10) **Patent No.:** **US D829,490 S**
(45) **Date of Patent:** **** Oct. 2, 2018**

(54) **WOK**

(71) Applicant: **Anand Dhirmalani**, Secaucus, NJ (US)

(72) Inventor: **Anand Dhirmalani**, Secaucus, NJ (US)

(**) Term: **15 Years**

(21) Appl. No.: **29/586,845**

(22) Filed: **Dec. 7, 2016**

(51) **LOC (11) Cl.** **07-02**

(52) **U.S. Cl.**

USPC **D7/361**

(58) **Field of Classification Search**

USPC D7/323, 330-331, 337, 339, 347,
D7/350-367, 378-384, 391-396, 401.2,
D7/402, 409, 542-545, 560, 664;
D8/107, 300, 303, 307, 313, 321;
D4/129, 138

CPC A47G 19/12; A47J 27/00; A47J 27/002;
A47J 27/004; A47J 27/006; A47J 27/02;
A47J 27/022; A47J 27/04; A47J 27/043;
A47J 36/025; A47J 36/06; A47J 36/08;
A47J 36/18; A47J 36/20; A47J 36/22;
A47J 37/00; A47J 37/10; A47J 37/101;
A47J 37/108; A47J 37/067; A47J 45/08;
A47J 45/061; A47J 45/085; A47J 45/071;
A47J

(Continued)

(56) **References Cited**

U.S. PATENT DOCUMENTS

5,388,732 A * 2/1995 Greger A47J 36/08
210/467
D380,934 S * 7/1997 Alarid, Jr. D7/354

(Continued)

FOREIGN PATENT DOCUMENTS

CN 201286610 Y * 8/2009
CN 103919446 A * 7/2014

(Continued)

OTHER PUBLICATIONS

20CM Non-Stick Deep Wok Pan With Pouring Spouts, Posted © 2018 [Online], Retrieved Apr. 26, 2018, Retrieved From Internet, <http://www.heapseng.com/product_info.php?products_id=1834>.*

(Continued)

Primary Examiner — Barbara G Fox

Assistant Examiner — Messina L Smith

(74) *Attorney, Agent, or Firm* — Kaplan Breyer Schwarz, LLP

(57) **CLAIM**

The ornamental design for a wok, as shown and described.

DESCRIPTION

FIG. 1 is a front, bottom and side perspective view of a wok in a first embodiment, showing the new design;

FIG. 2 is a front, bottom and opposite side perspective view thereof;

FIG. 3 is a bottom plan view thereof;

FIG. 4 is a top plan view thereof;

FIG. 5 is a side elevation view thereof;

FIG. 6 is an opposite side elevation view thereof;

FIG. 7 is a front elevation view thereof;

FIG. 8 is a back elevation view thereof;

FIG. 9 is a front, bottom and side perspective view of the wok in a second embodiment;

FIG. 10 is a front, bottom and opposite side perspective view thereof;

FIG. 11 is a bottom plan view thereof;

FIG. 12 is a top plan view thereof;

FIG. 13 is a side elevation view thereof;

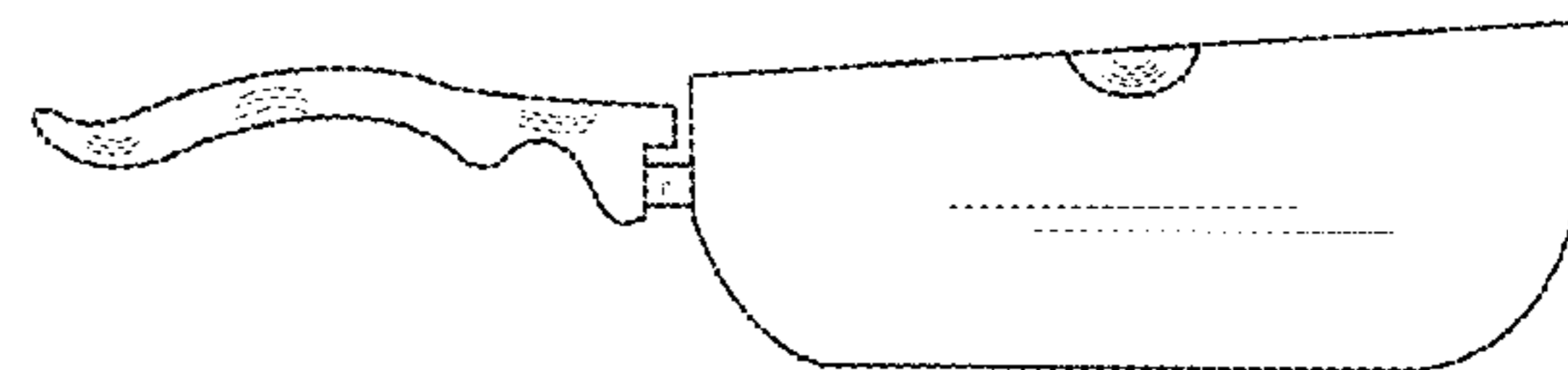
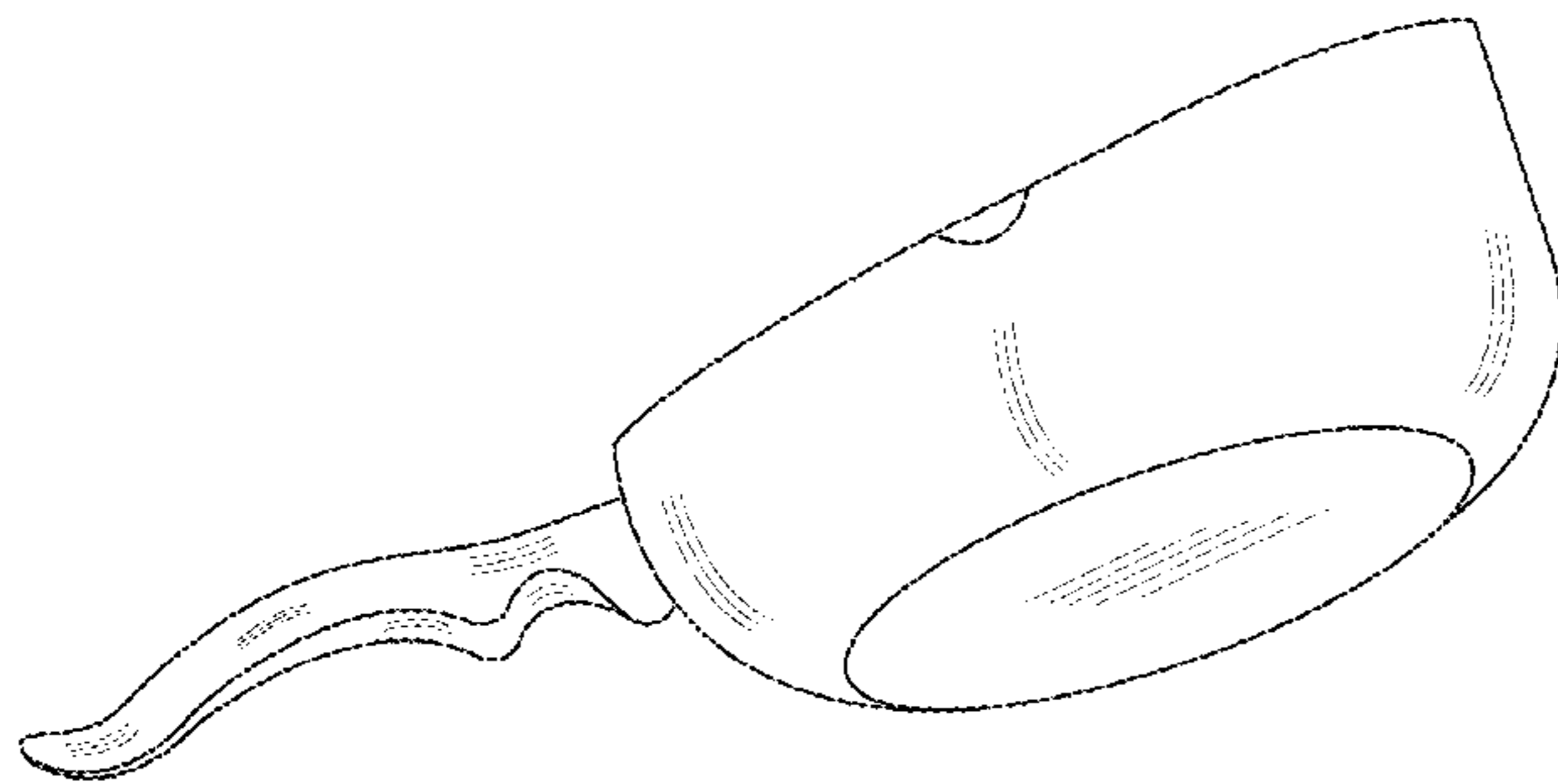
FIG. 14 is an opposite side elevation view thereof;

FIG. 15 is a front elevation view thereof; and,

FIG. 16 is a back elevation view thereof.

The broken lines in the drawings depict portions of the wok that form no part of the claimed design.

1 Claim, 8 Drawing Sheets



(58) **Field of Classification Search**

CPC 45/072; B65D 25/2802; B65D 25/2882;
 B65D 25/2885; B65D 25/2888; B65D
 25/2894; G07F 17/0064; G07F 17/0078;
 G07F 17/0085; H05B 6/12; H05B
 6/1227; Y10S 220/912

See application file for complete search history.

(56) **References Cited**

U.S. PATENT DOCUMENTS

D455,599 S * 4/2002 Cheng D7/354
 6,497,174 B1 * 12/2002 Cacace A47J 37/10
 99/395
 D497,767 S * 11/2004 Cacace D7/361
 7,167,642 B1 * 1/2007 Wagner A47J 27/004
 392/441
 D545,630 S * 7/2007 Serra D7/545
 D586,611 S * 2/2009 Solis D7/354
 D628,851 S * 12/2010 Bergne D7/354
 D645,297 S * 9/2011 Saboe D7/354
 D656,358 S * 3/2012 Cloutier D7/354
 D664,004 S * 7/2012 Benishai D7/543
 D756,163 S * 5/2016 Gabbay D7/354
 D779,871 S * 2/2017 Zemel D7/354
 D794,379 S * 8/2017 Mejia D7/354
 2014/0319152 A1 * 10/2014 Suck A47J 27/002
 220/573.1

FOREIGN PATENT DOCUMENTS

CN 204218627 U * 3/2015
 CN 205267809 U * 6/2016
 CN 205612259 U * 10/2016
 CN 106108606 A * 11/2016
 CN 205697139 U * 11/2016
 GB 2363699 A * 1/2002
 KR 2017000014 U * 1/2017
 TW 242152 U * 9/2004
 TW 275802 U * 9/2005
 TW 311381 U * 2/2007
 TW 438225 U * 10/2012
 TW 489604 U * 11/2014
 WO WO 2015154237 A1 * 10/2015

OTHER PUBLICATIONS

Techef—Goody Pan, Posted Jun. 18, 2016 [Online], Retrieved Apr. 26, 2018, Retrieved From Internet, <https://www.amazon.com/TECHEF-Tempered-Platinum-Non-Stick-Coating/dp/B01H82RLOU/ref=sr_1_13?ie=UTF8&qid=1524752723&sr=8-13&keywords=WOK+WITH+POUR+SPOUTS>.*
 Chef Conical saucepan, Posted © 2002-2018 [Online], Retrieved Apr. 26, 2018, Retrieved From Internet, <<http://www.beka-cookware.com/chef-conical-saucepan>>.*

* cited by examiner

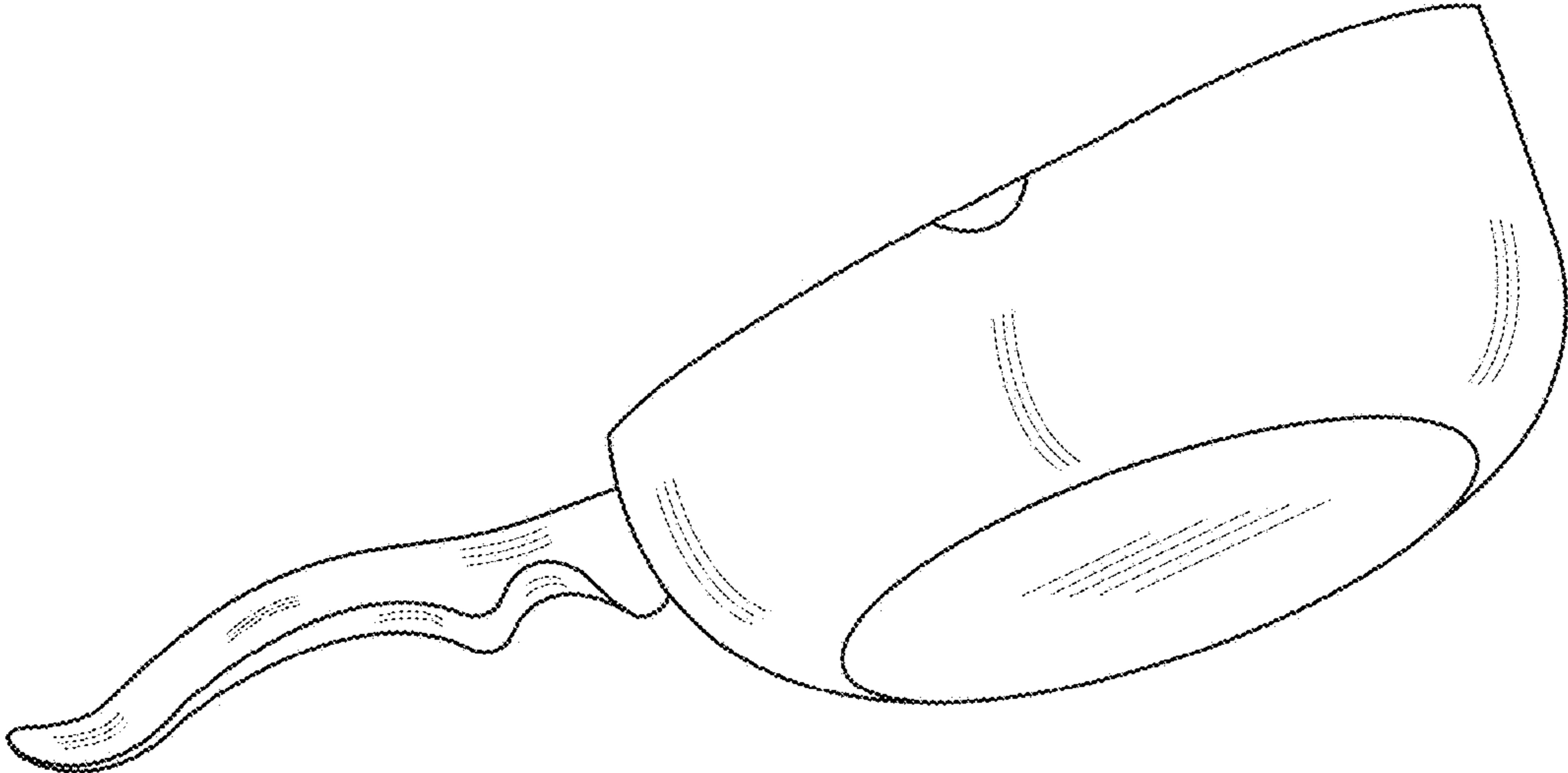


FIG. 1

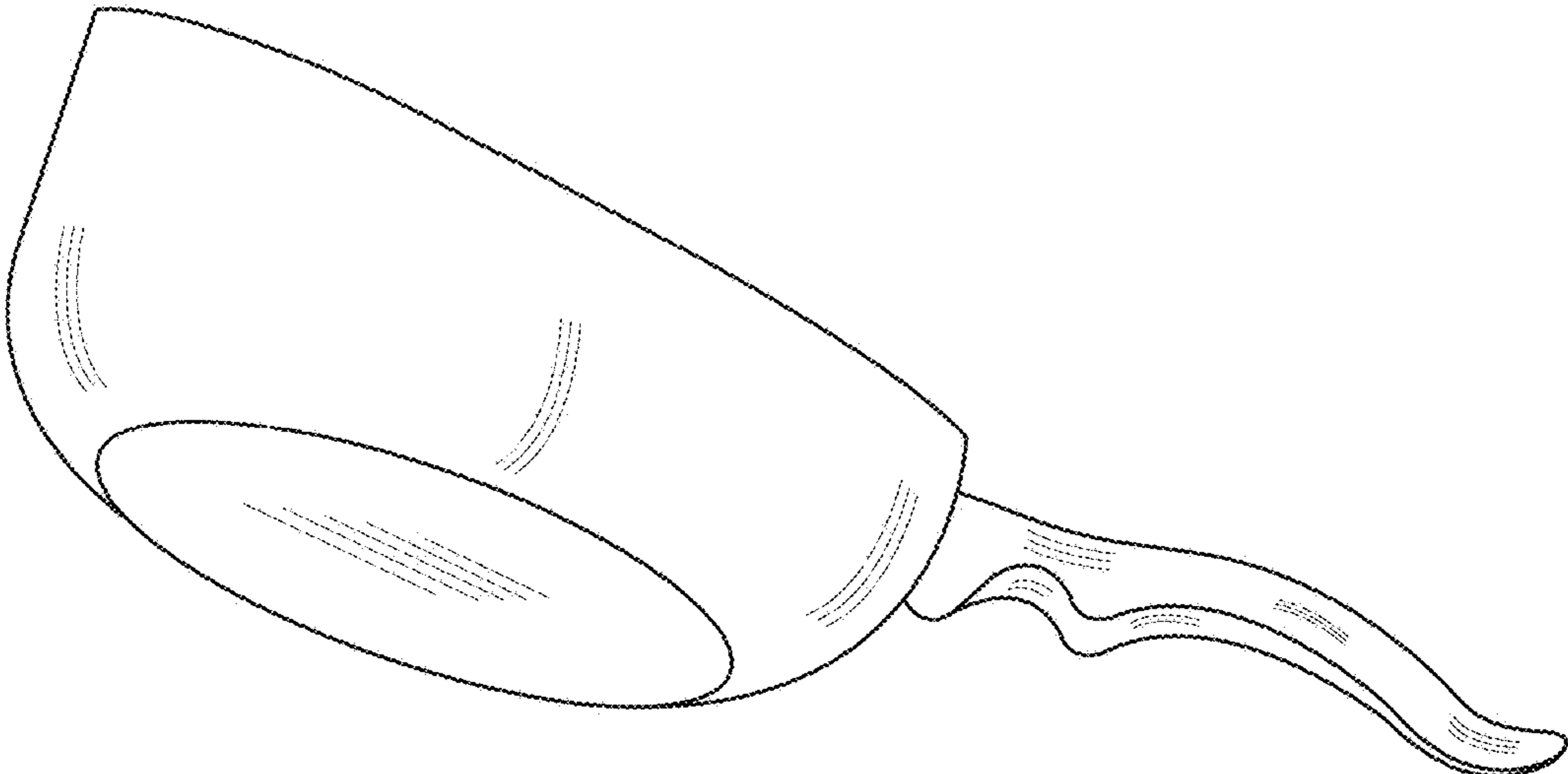


FIG. 2

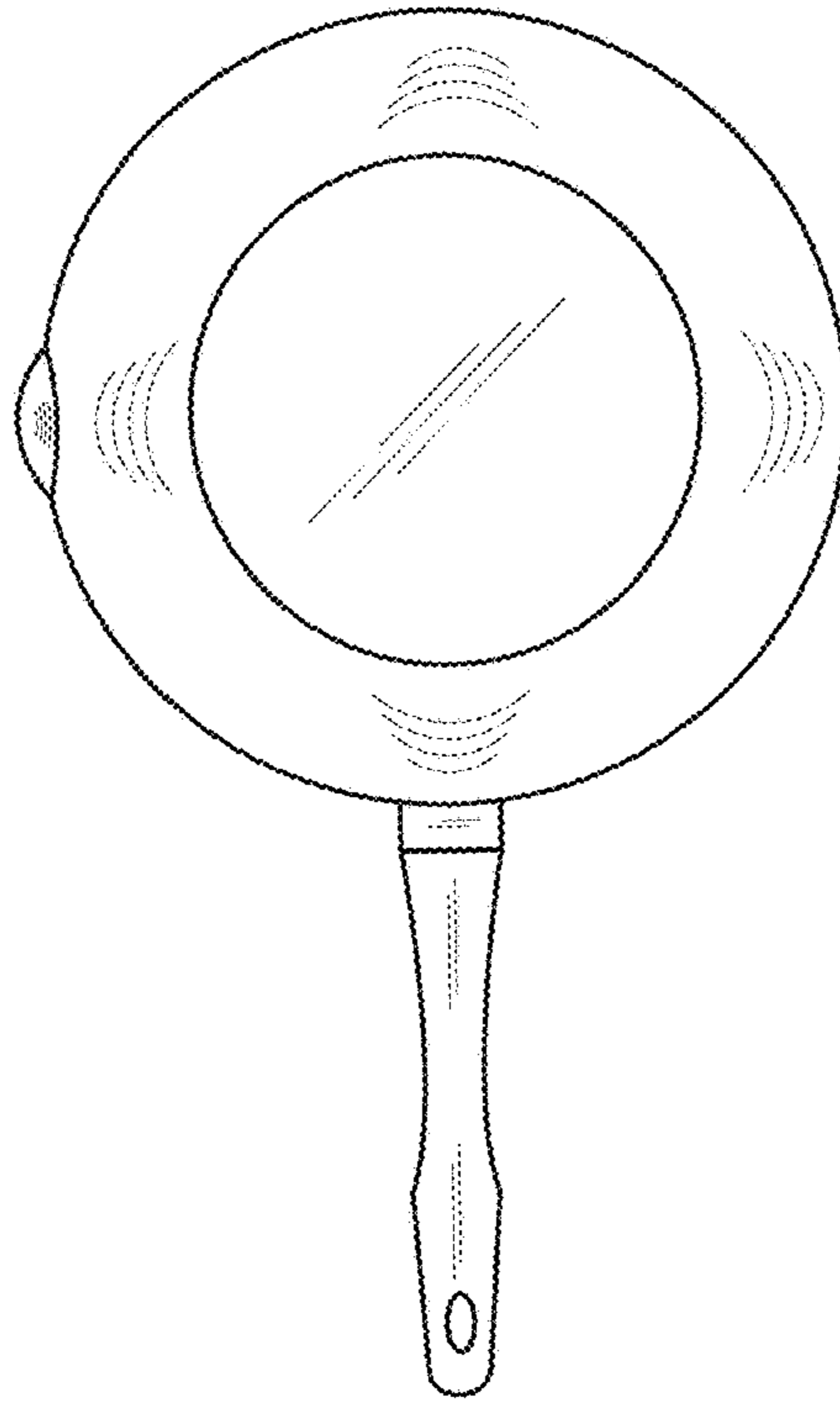


FIG. 3

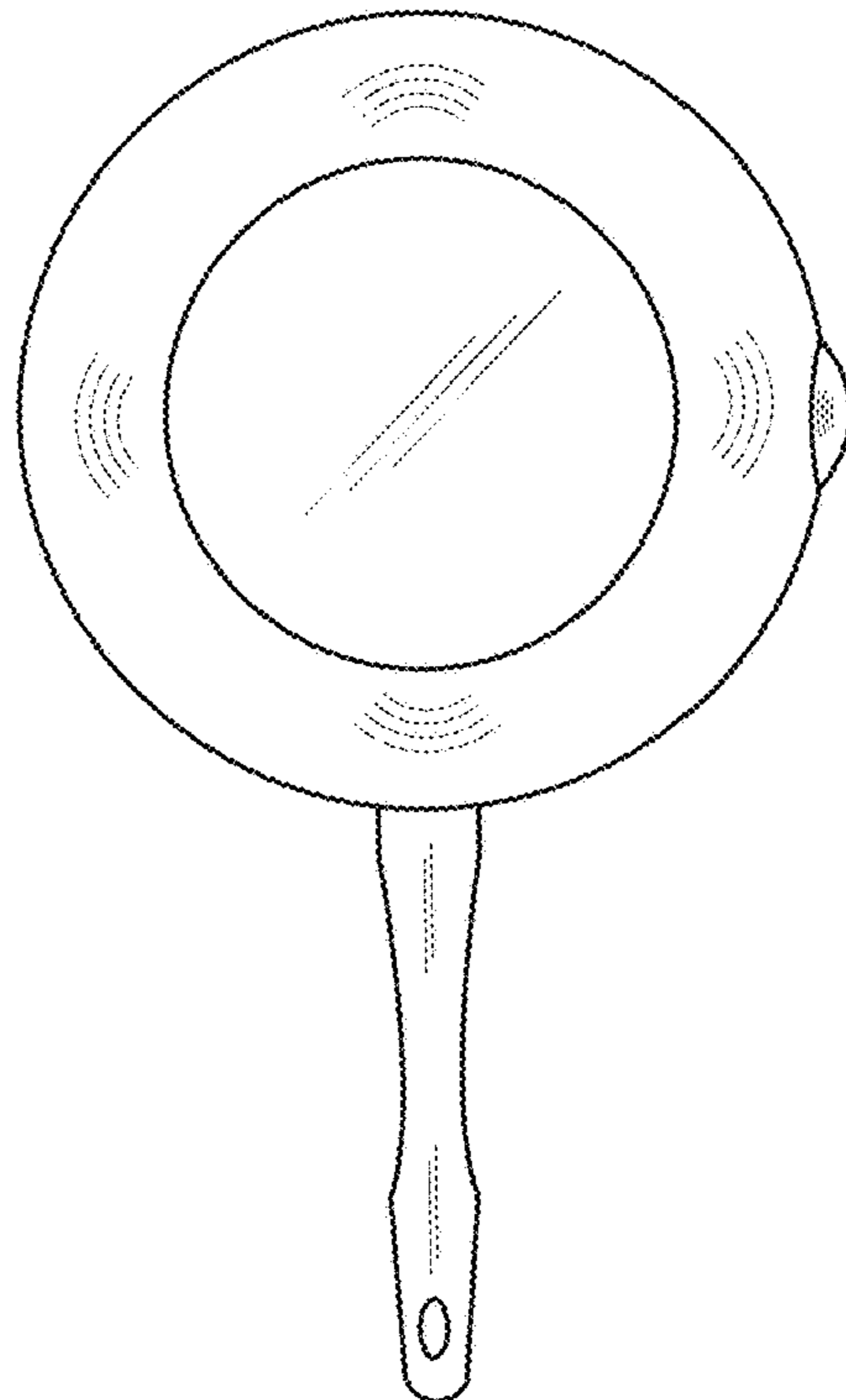


FIG. 4

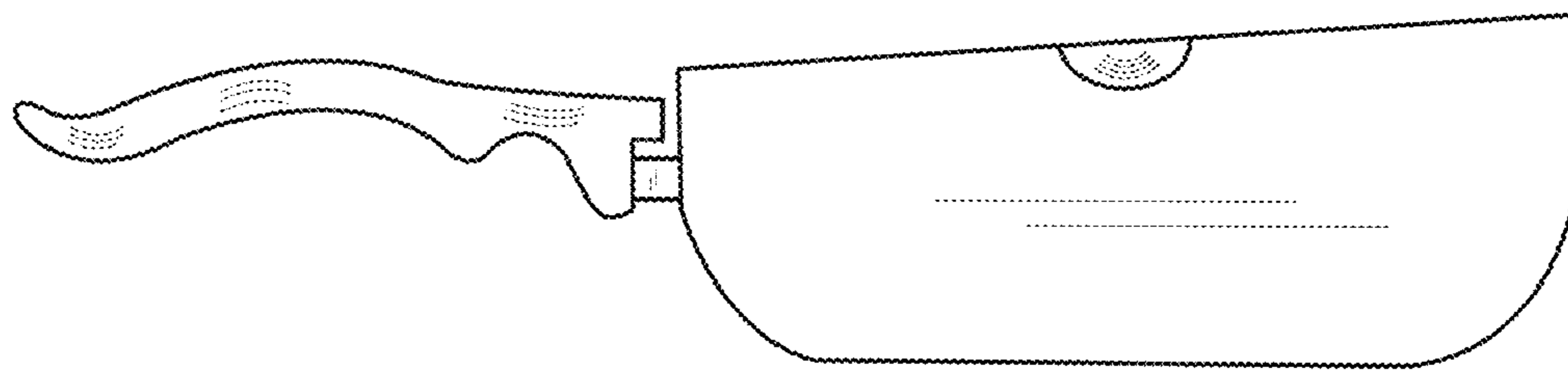


FIG. 5

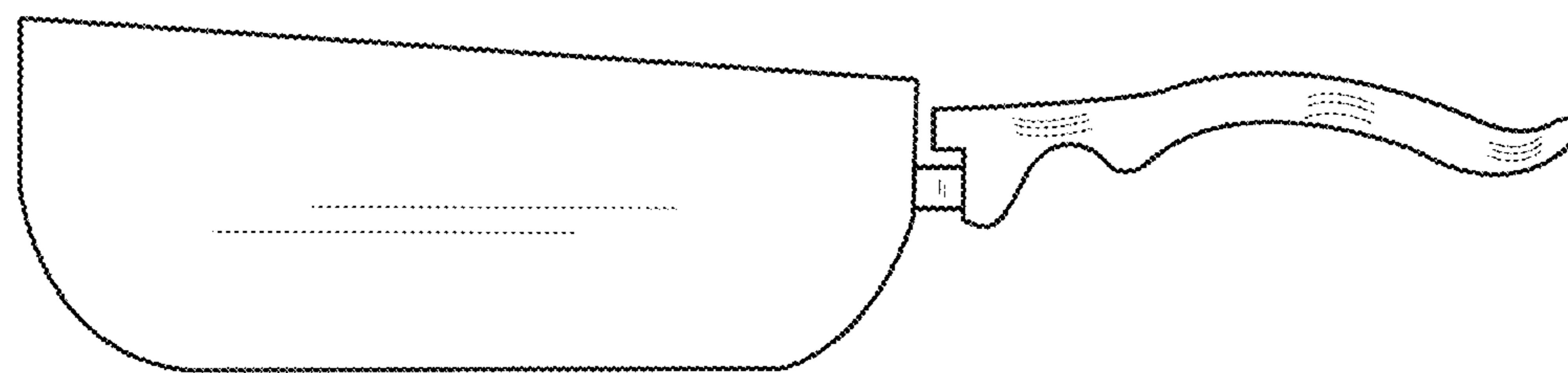


FIG. 6

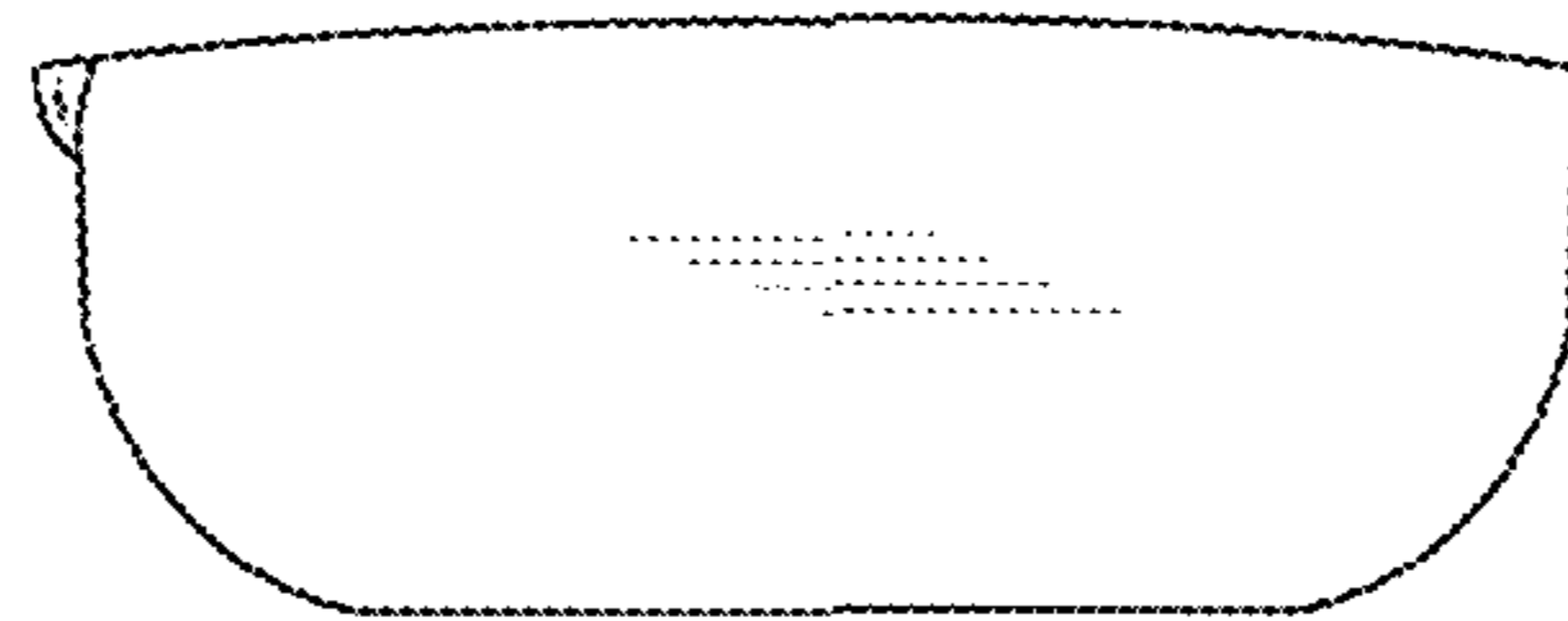


FIG. 7

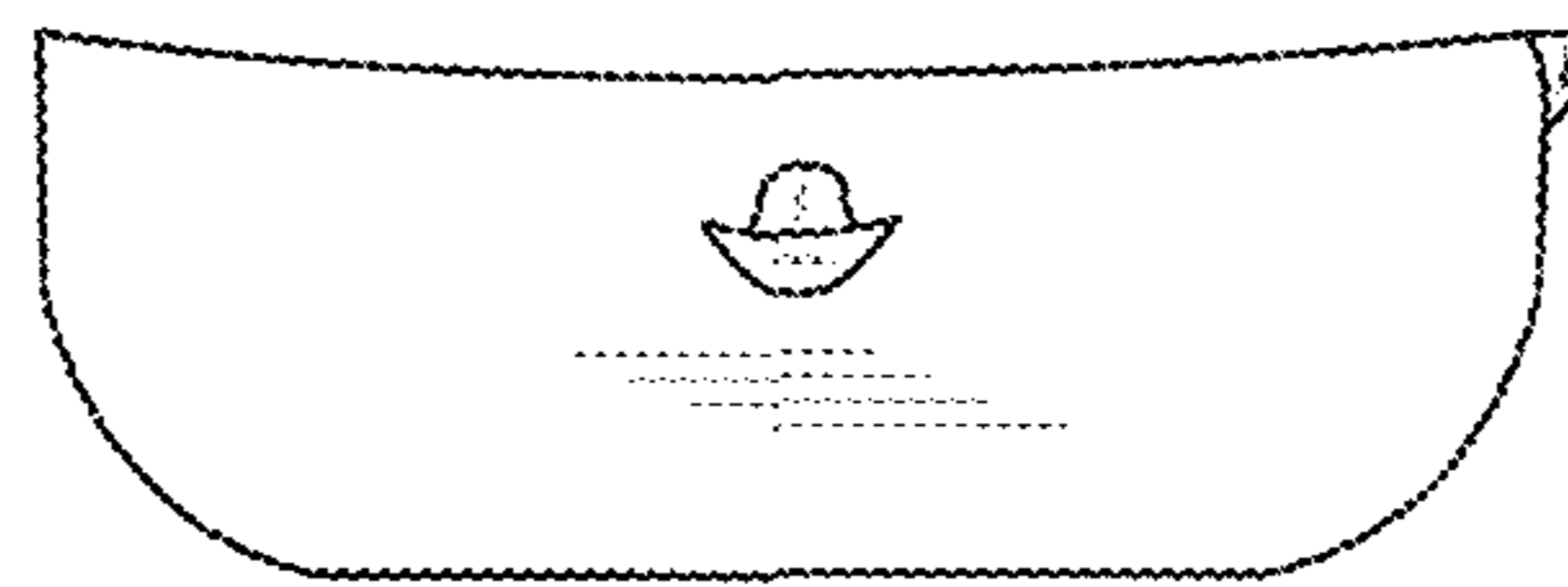


FIG. 8

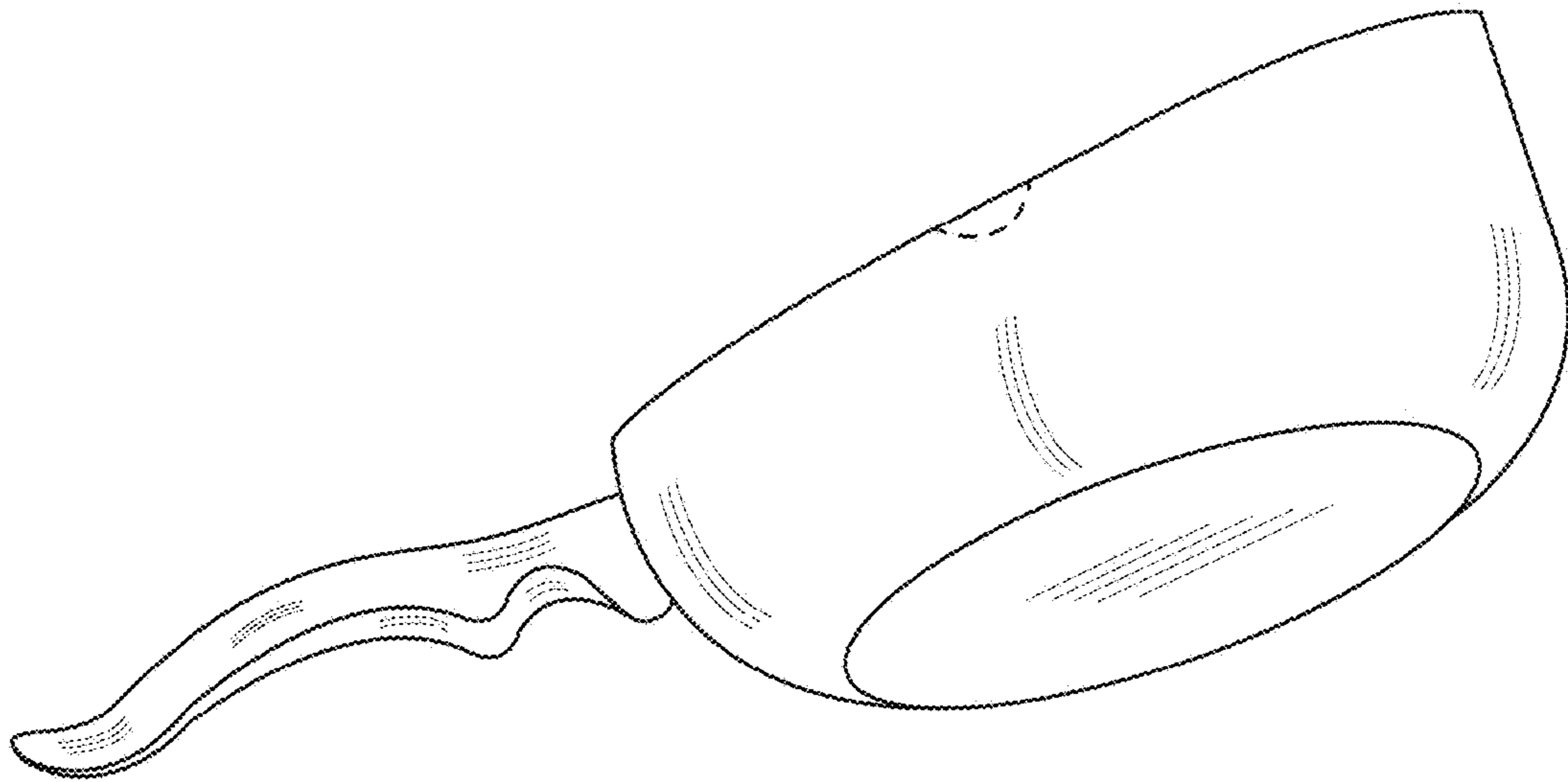


FIG. 9

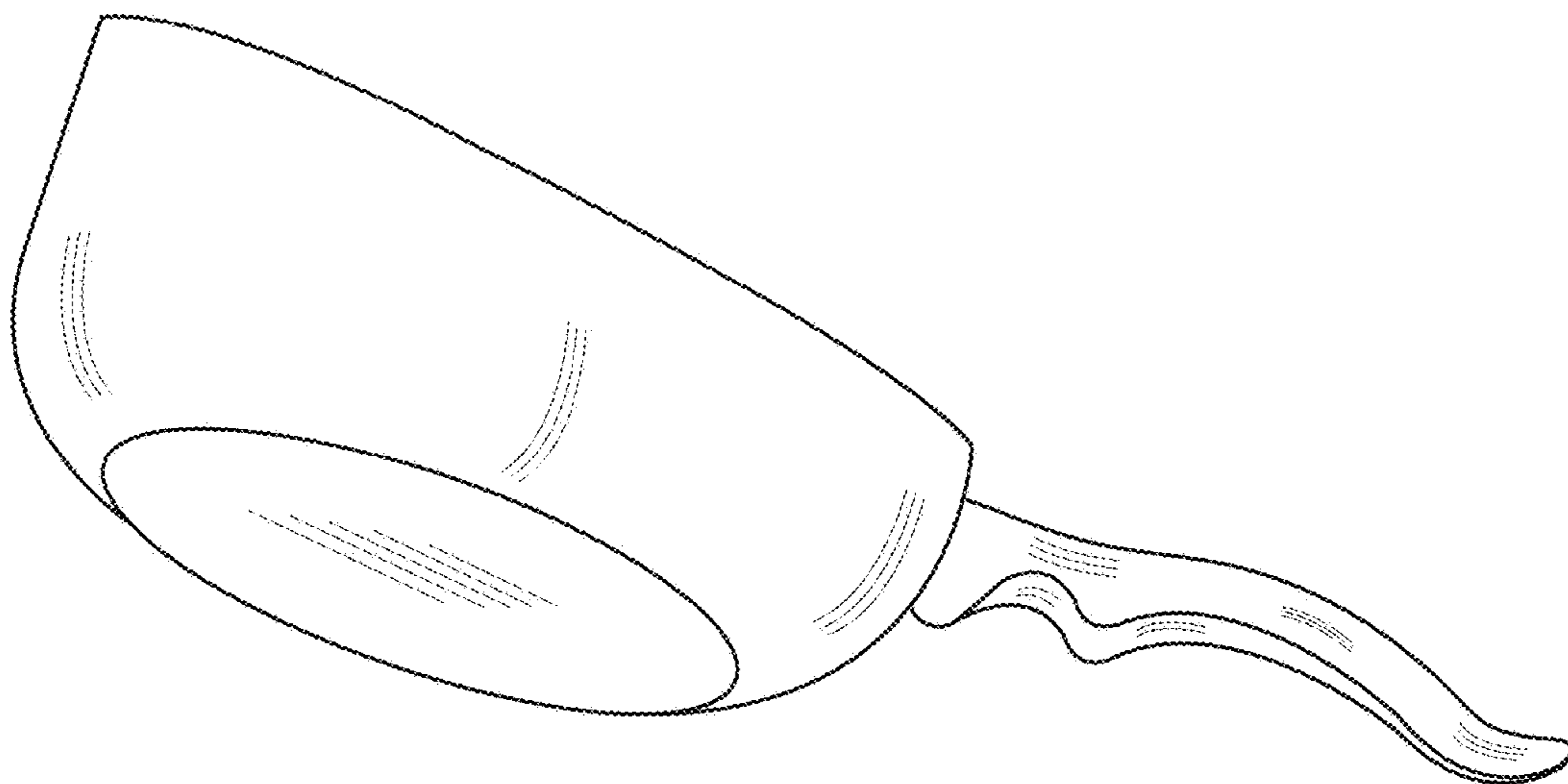


FIG. 10

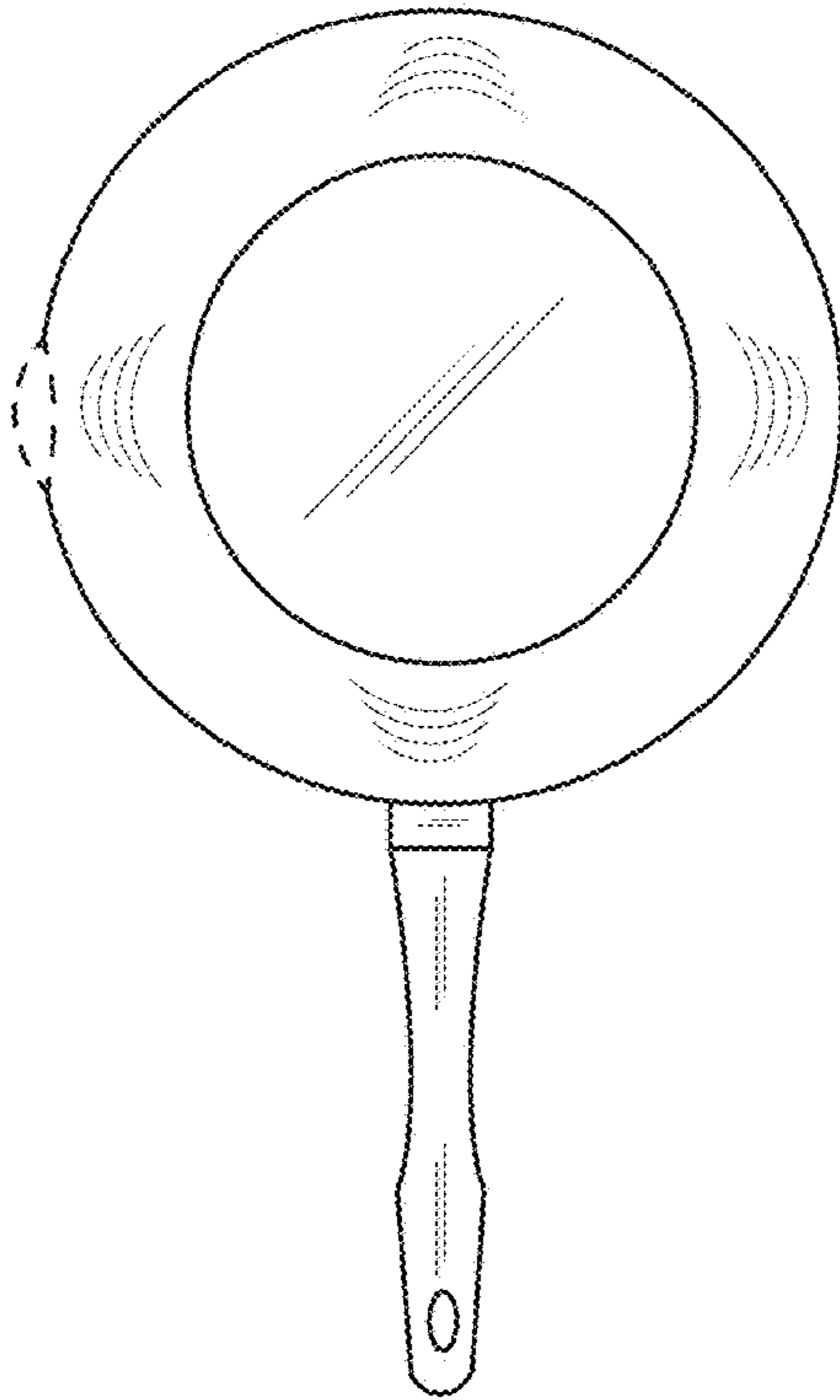


FIG. 11

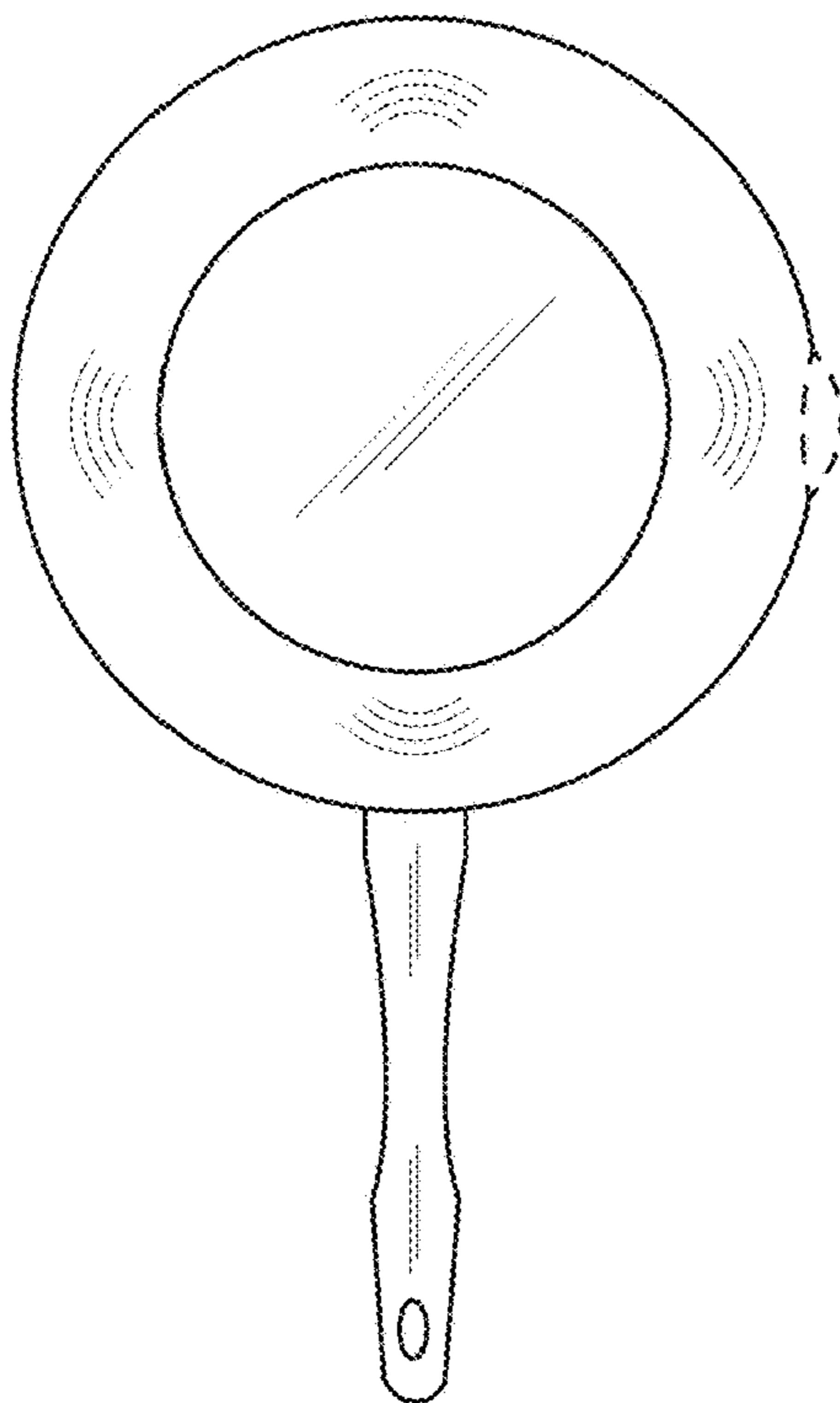


FIG. 12

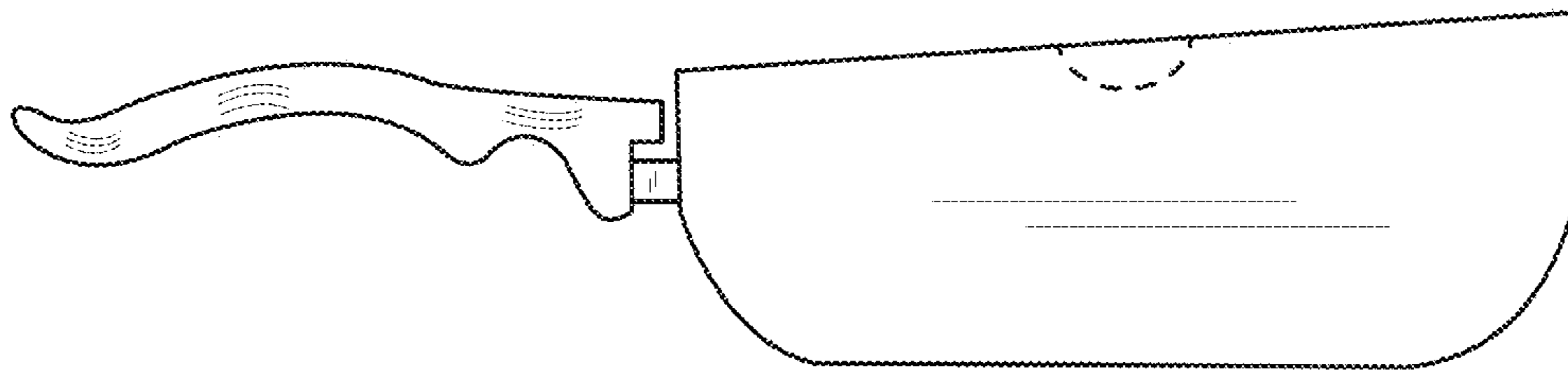


FIG. 13

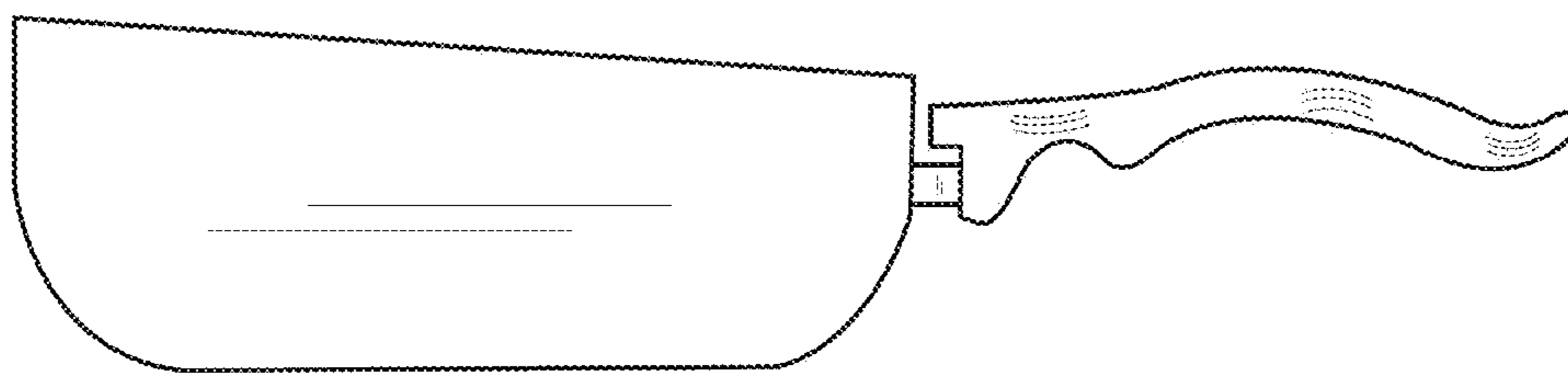


FIG. 14

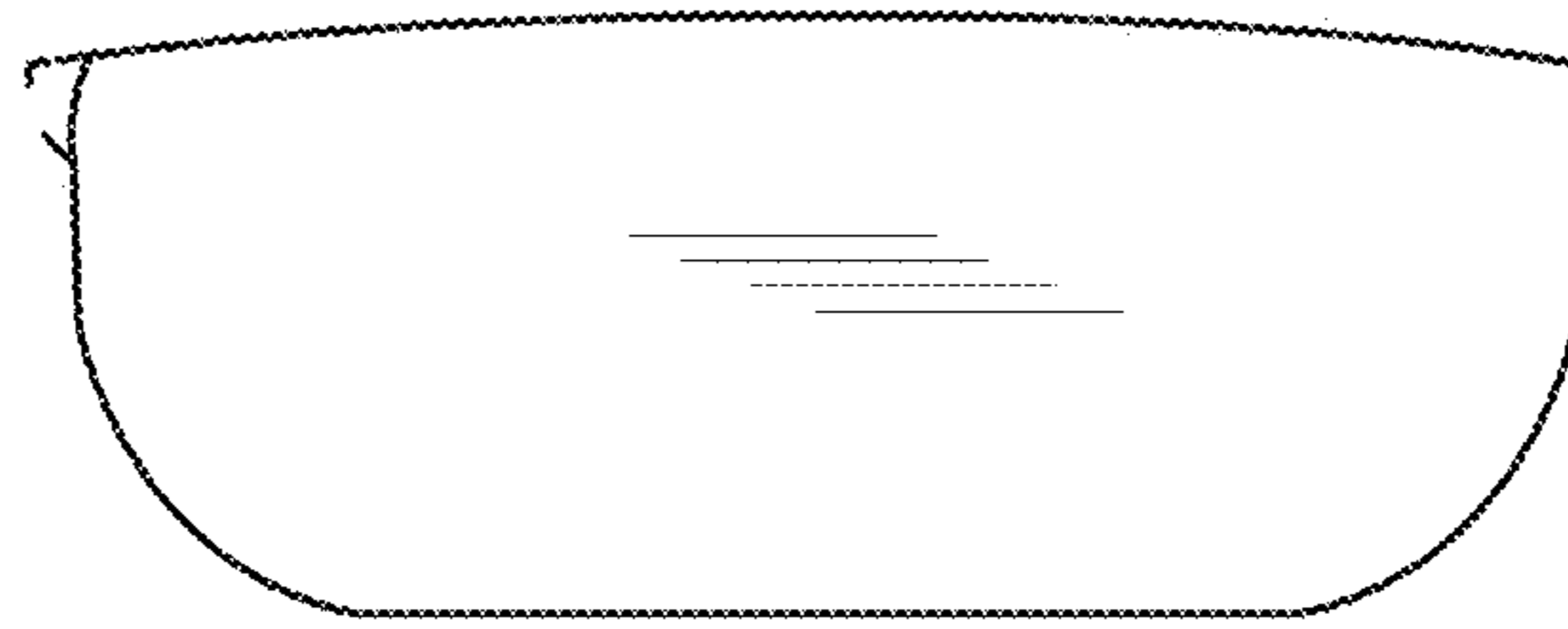


FIG. 15

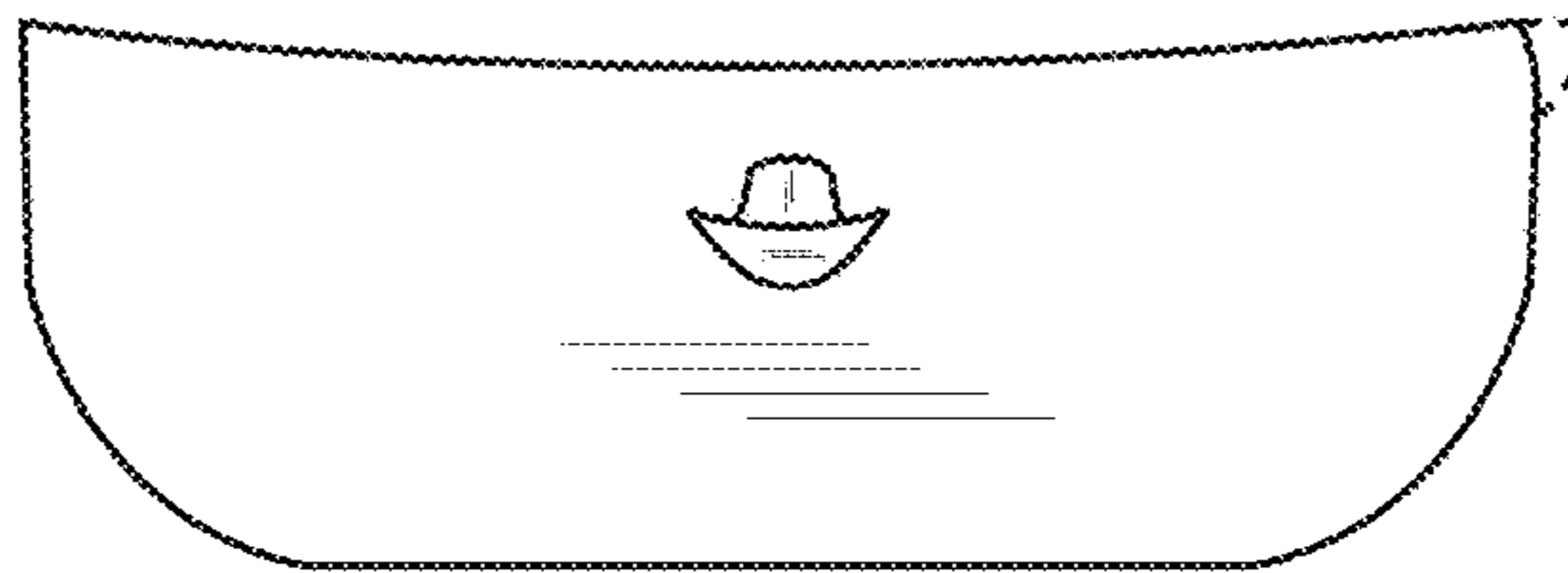


FIG. 16