



US00D829489S

(12) **United States Design Patent**  
**Khubani et al.**

(10) **Patent No.:** **US D829,489 S**  
(45) **Date of Patent:** **\*\* Oct. 2, 2018**

- (54) **COOKING APPARATUS**
- (71) Applicant: **Telebrands Corp.**, Fairfield, NJ (US)
- (72) Inventors: **Ajit Khubani**, Saddle River, NJ (US);  
**Paul Dowd**, Scarsdale, NY (US)
- (73) Assignee: **Telebrands Corp.**, Fairfield, NJ (US)
- (\*\*) Term: **15 Years**
- (21) Appl. No.: **29/611,712**
- (22) Filed: **Jul. 25, 2017**
- (51) **LOC (11) Cl.** ..... **07-02**
- (52) **U.S. Cl.**  
USPC ..... **D7/358; D7/354**
- (58) **Field of Classification Search**  
USPC ..... D7/323, 354-361, 391, 393, 406  
CPC ..... A47J 27/00; A47J 27/002; A47J 27/004;  
A47J 27/08; A47J 27/0802; A47J  
27/0804; A47J 27/0811; A47J 27/0813;  
A47J 27/0815; A47J 27/0817; A47J  
27/084; A47J 27/09; A47J 27/092; A47J  
36/025; A47J 36/06; A47J 36/08; A47J  
37/12; A47J 37/1204; A47J 37/1209;  
A47J 45/07; A47J 45/071; A47J 45/074;  
A47J 45/08; B01D 2201/345; B01J 3/03;  
B01J 3/04; F01P 2011/0247; F01P  
2011/0252; H05B 6/00; H05B 6/02;  
H05B 6/06  
See application file for complete search history.

D487,212 S *	3/2004	Park .....	D7/360
D568,101 S *	5/2008	Kaney .....	D7/406
D572,969 S *	7/2008	Beyeler .....	D7/360
D626,784 S *	11/2010	Xie .....	D7/358
D641,203 S *	7/2011	Josancy .....	D7/354
D641,204 S *	7/2011	Baumgartner .....	D7/354
D667,680 S *	9/2012	Bock .....	D7/354
D735,519 S *	8/2015	Benoit .....	D7/354
D749,891 S *	2/2016	Pujols .....	D7/354
2001/0042753 A1 *	11/2001	Park .....	A47J 27/002 220/573.1
2004/0250690 A1 *	12/2004	Restis .....	A47J 36/08 99/403

\* cited by examiner

*Primary Examiner* — Ricky Pham

(74) *Attorney, Agent, or Firm* — Cooper & Dunham, LLP

(57) **CLAIM**

The ornamental design for a cooking apparatus, as shown and described.

**DESCRIPTION**

FIG. 1 is a top perspective view of a cooking apparatus in accordance with the present design;  
 FIG. 2 is a front view thereof;  
 FIG. 3 is a back view thereof;  
 FIG. 4 is a right side view thereof;  
 FIG. 5 is a left side view thereof;  
 FIG. 6 is a top view thereof; and,  
 FIG. 7 is a bottom view thereof.  
 The broken lines are for illustrative purposes only and form no part of the claimed design. The shading represents contour of the claimed design.

(56) **References Cited**  
U.S. PATENT DOCUMENTS

D413,483 S *	9/1999	Roussard .....	D7/358
D460,316 S *	7/2002	Coudurier .....	D7/360

**1 Claim, 5 Drawing Sheets**

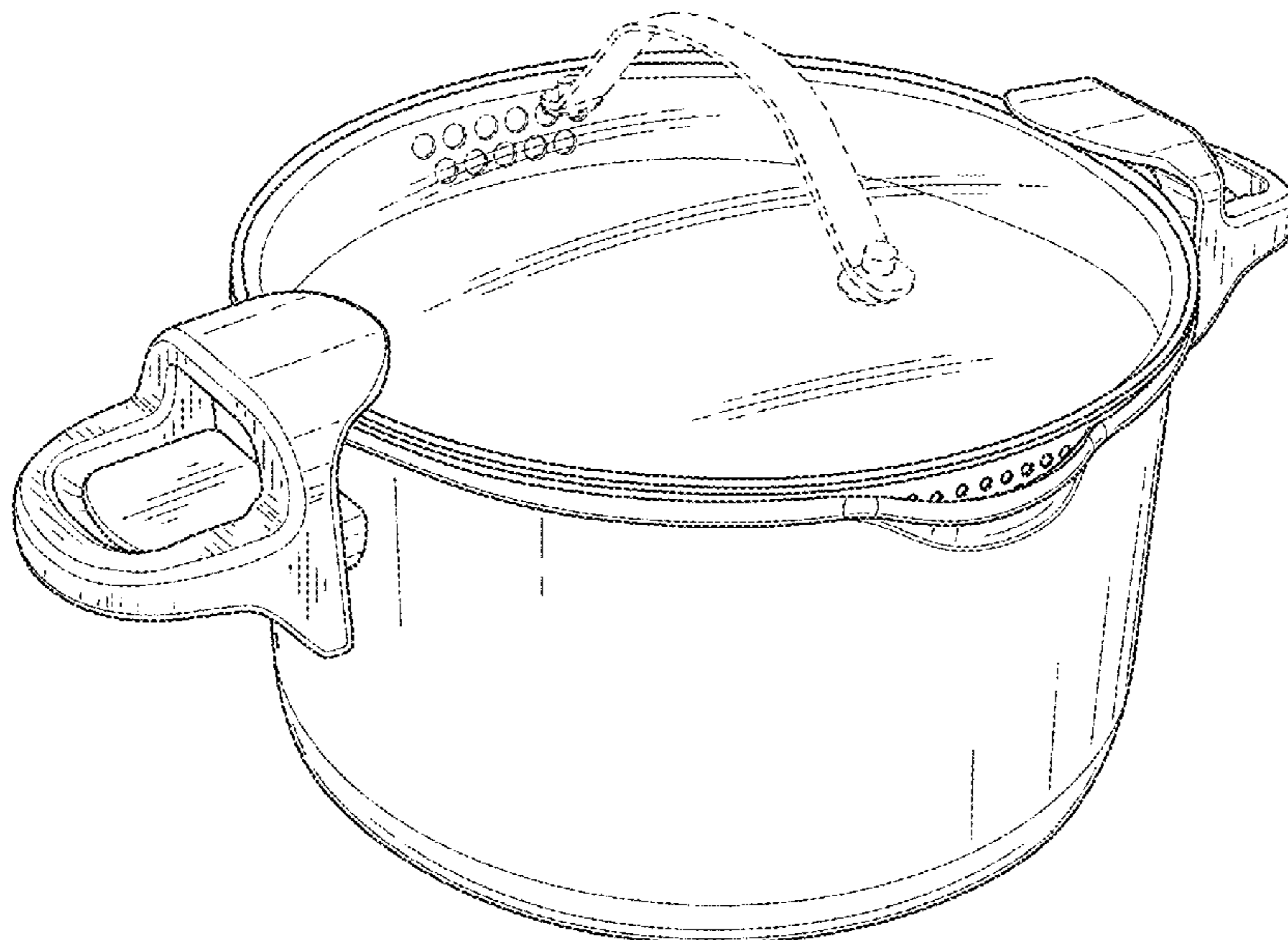


FIG. 1

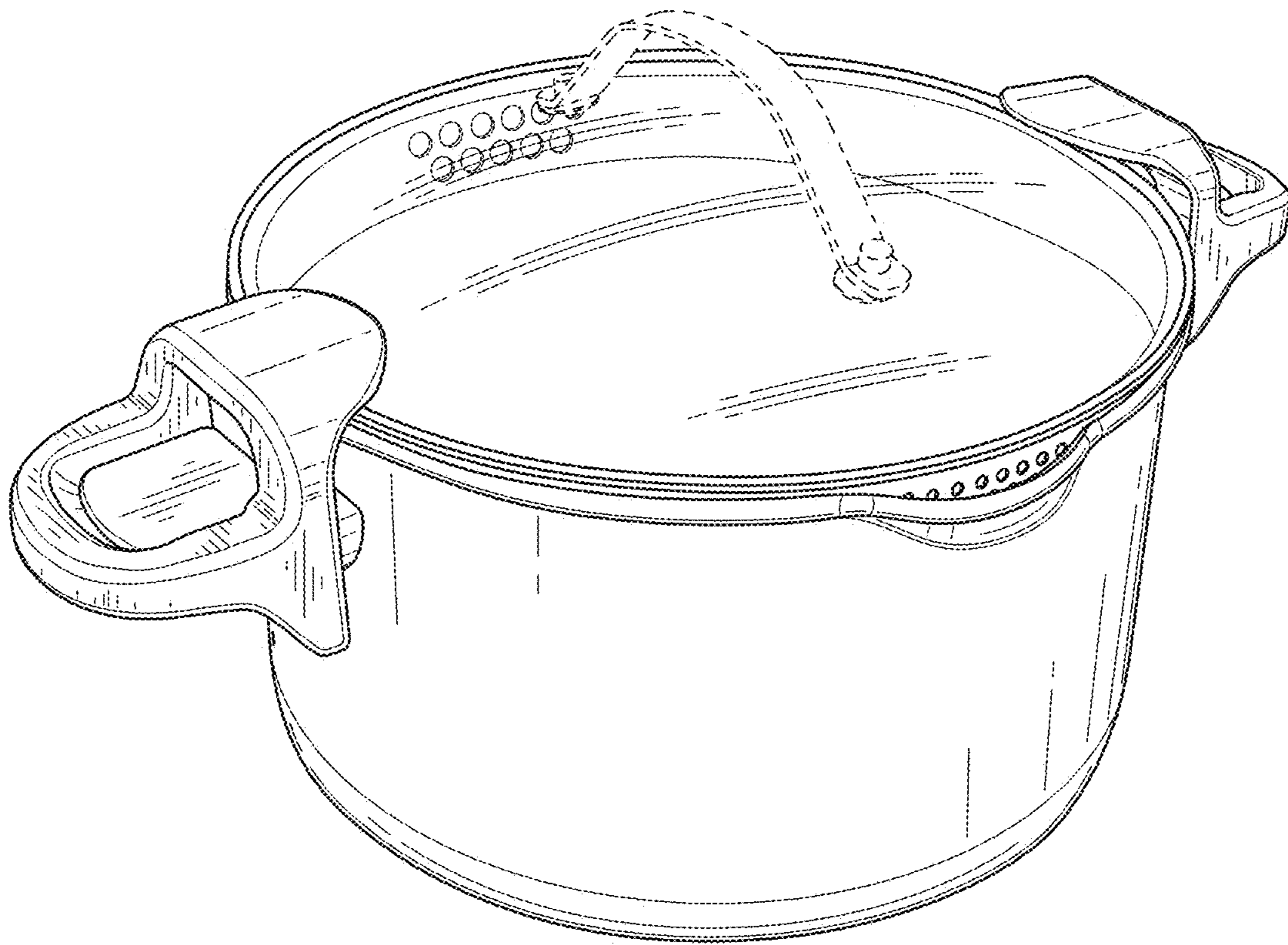


FIG. 2

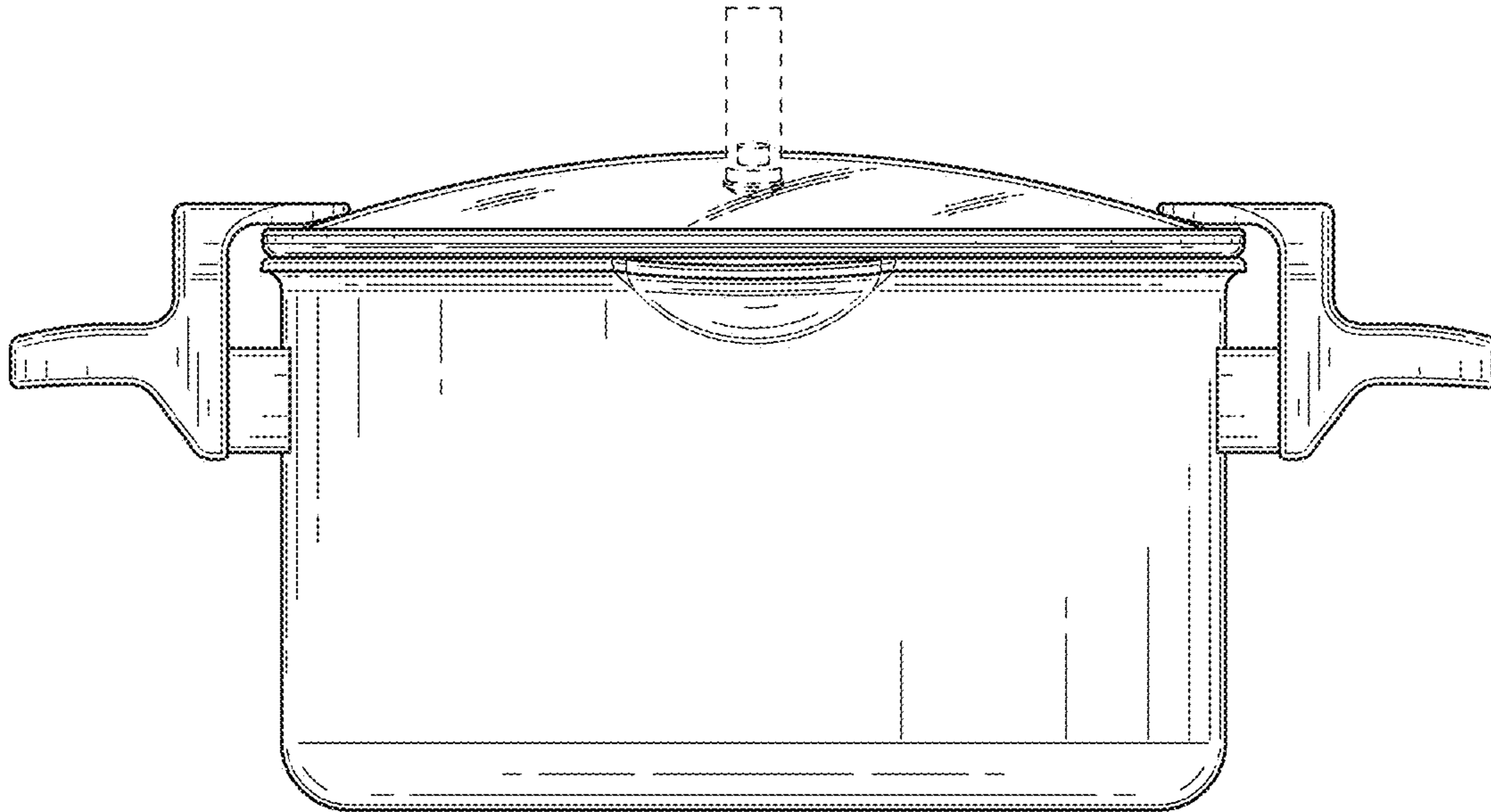


FIG. 3

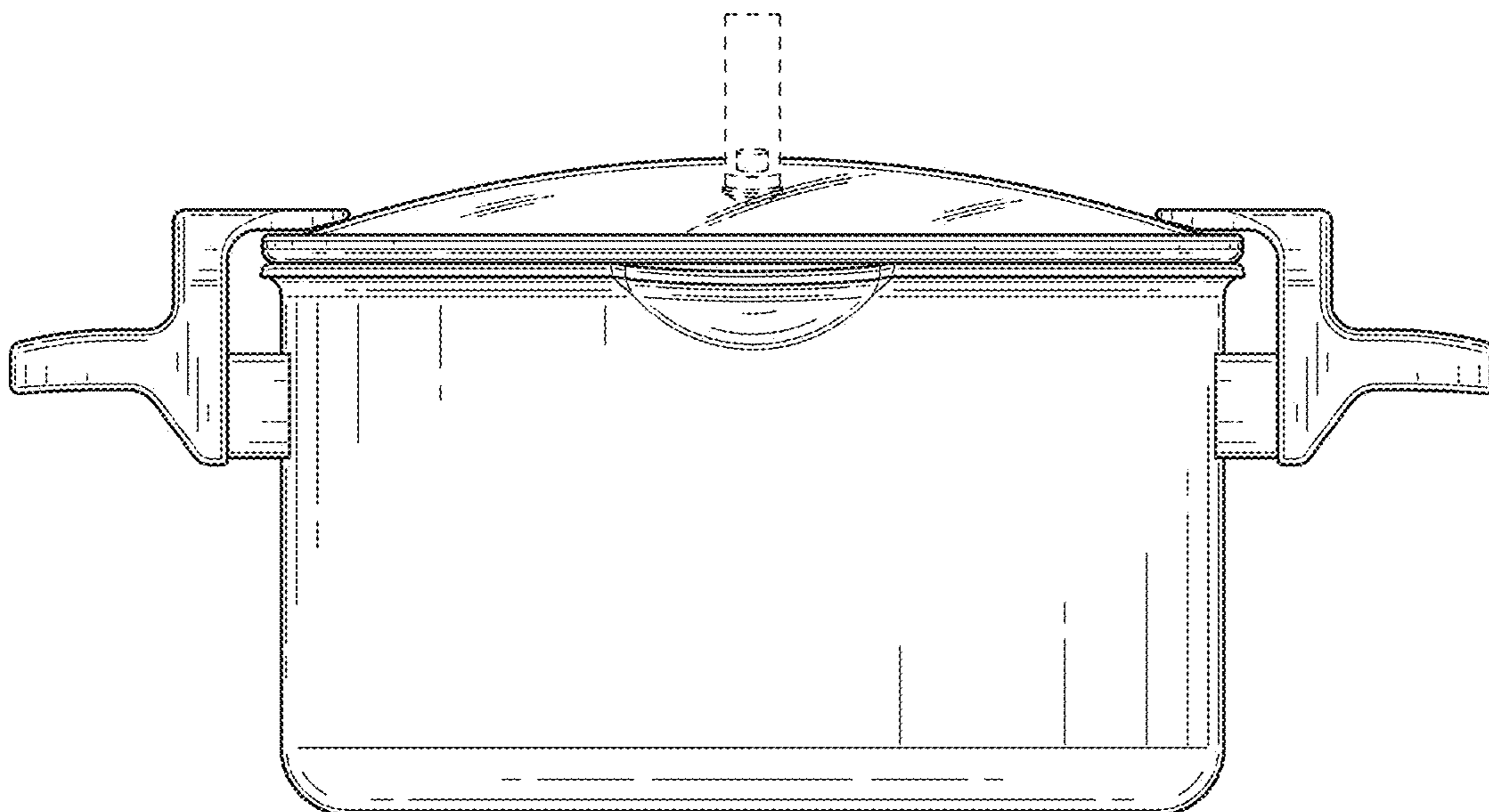


FIG. 4

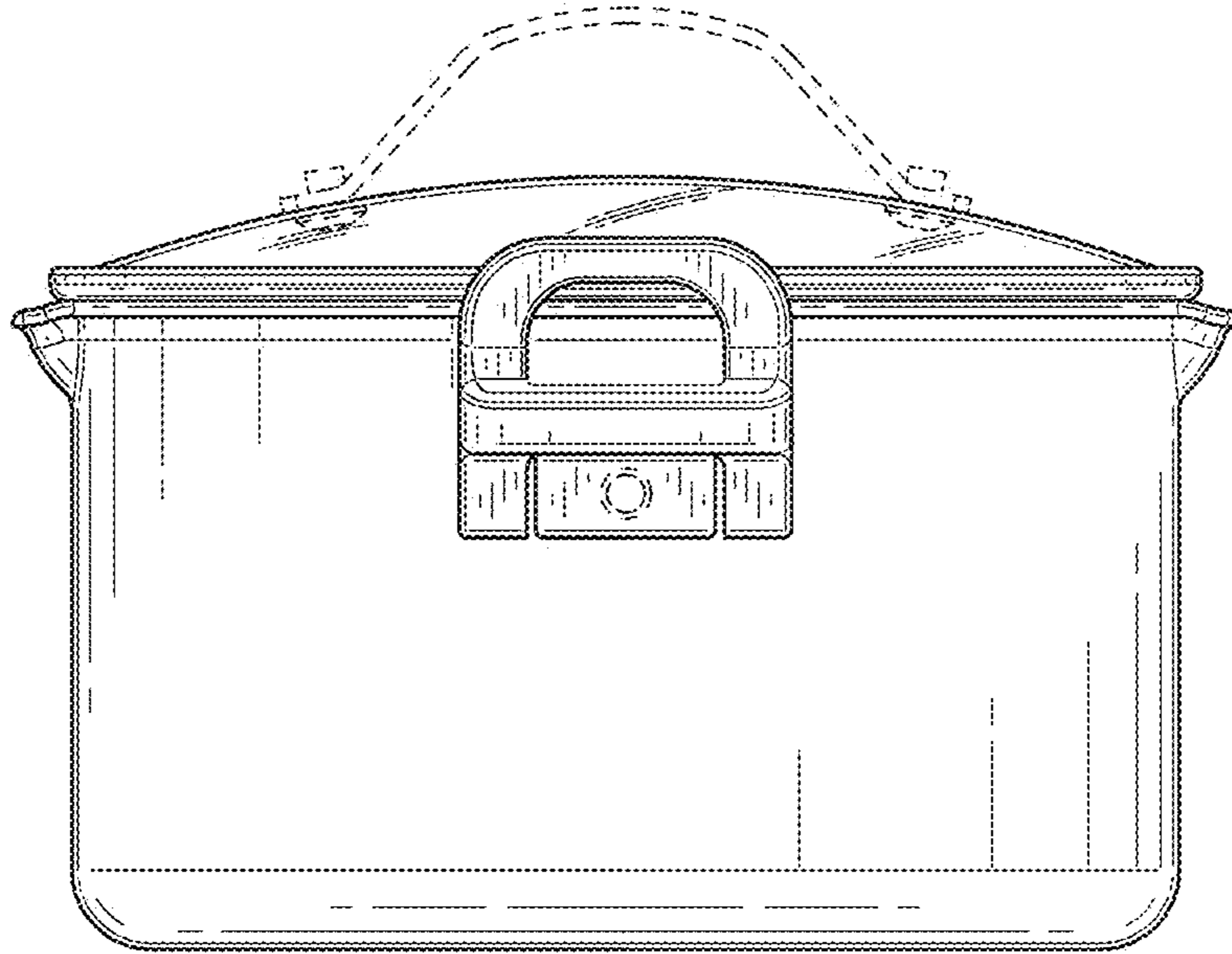


FIG. 5

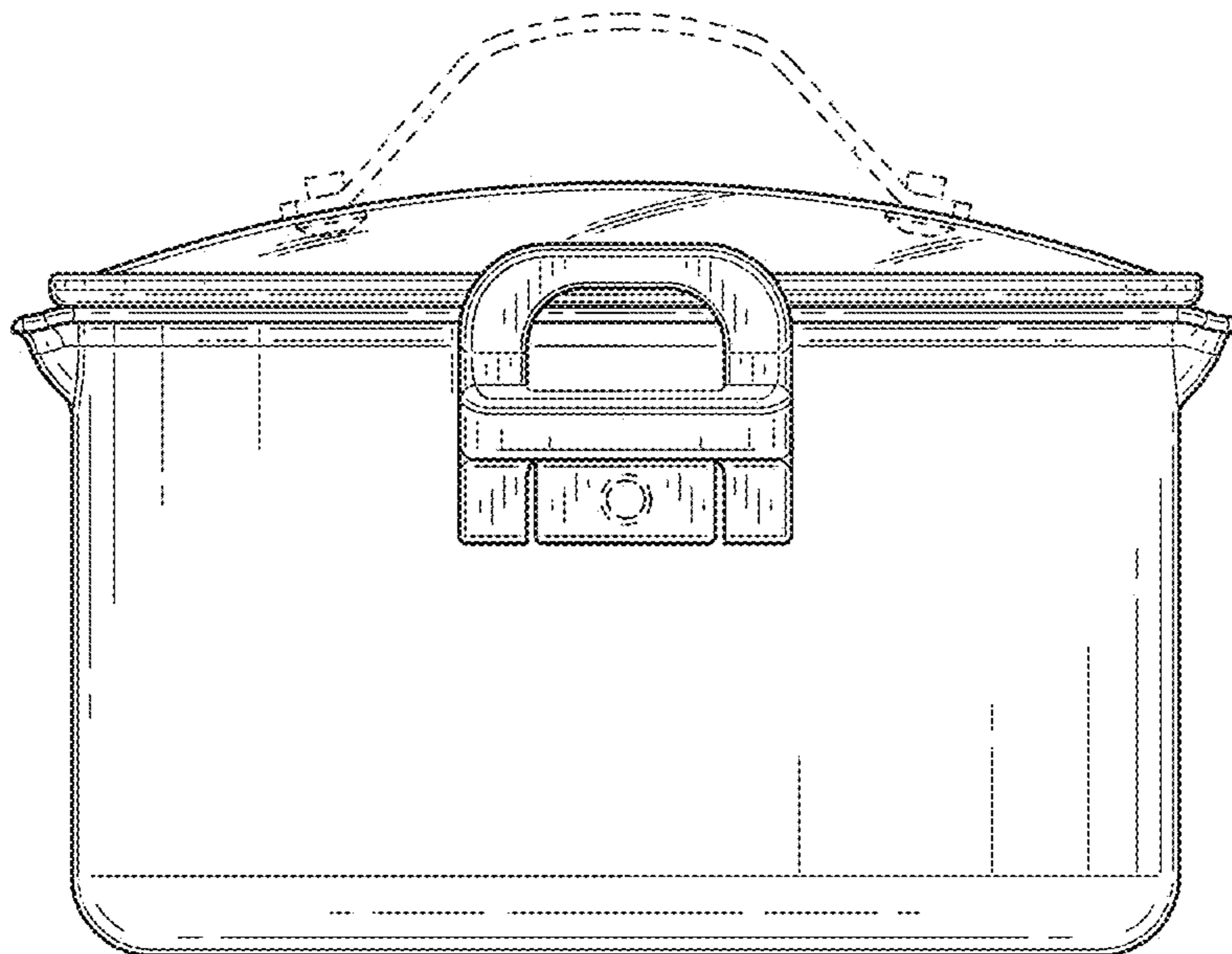


FIG. 6

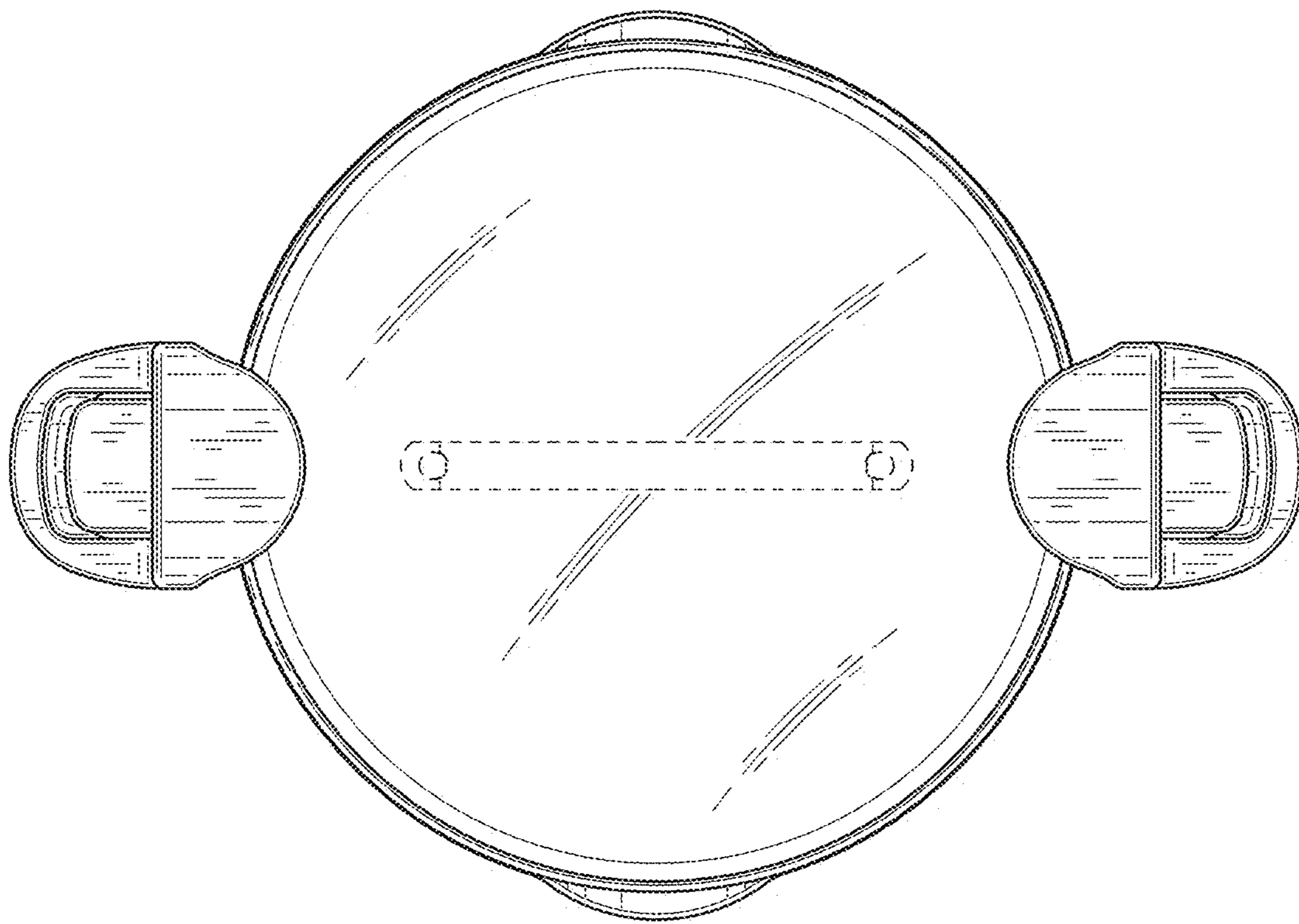


FIG. 7

