



US00D829488S

(12) **United States Design Patent**
Allen

(10) **Patent No.:** **US D829,488 S**
(45) **Date of Patent:** **** Oct. 2, 2018**

- (54) **STOVETOP SMOKER**
- (71) Applicant: **Charcoal Companion Incorporated**,
Berkeley, CA (US)
- (72) Inventor: **Nicholas Wood Allen**, San Francisco,
CA (US)
- (73) Assignee: **Charcoal Companion Incorporated**,
Berkeley, CA (US)
- (**) Term: **15 Years**
- (21) Appl. No.: **29/611,794**
- (22) Filed: **Jul. 25, 2017**
- (51) **LOC (11) Cl.** **07-02**
- (52) **U.S. Cl.**
USPC **D7/354; D7/360**
- (58) **Field of Classification Search**
USPC D7/323, 332-337, 354-360, 402-409,
D7/417; D9/427
CPC . A47G 19/26; A47J 37/00; A47J 37/07; A47J
37/079; A47J 37/0704; A47J 37/0718;
A47J 37/103; A47J 47/14; A47J
2037/0777; A23B 4/052; B65D 21/0222;
B65D 43/0212
See application file for complete search history.

- 4,375,862 A * 3/1983 Kurinsky B65D 43/0212
220/293
 - 8,056,751 B2 * 11/2011 Vovan B65D 21/0222
206/508
 - D692,751 S * 11/2013 Mastronardi D9/427
 - D708,893 S * 7/2014 Henry D7/354
- (Continued)

OTHER PUBLICATIONS

Stovetop Smoker—Stainless Steel Indoor or Outdoor Smoker Works on Any Heat Source—with Recipe Guide and Wood Chips [online], site visited [Jul. 26, 2017]. Available from Internet URL: <https://www.amazon.com/Stovetop-Smoker-Stainless-Indoor-Outdoor>.
(Continued)

Primary Examiner — Ricky Pham
(74) *Attorney, Agent, or Firm* — Beeson Skinner Beverly, LLP

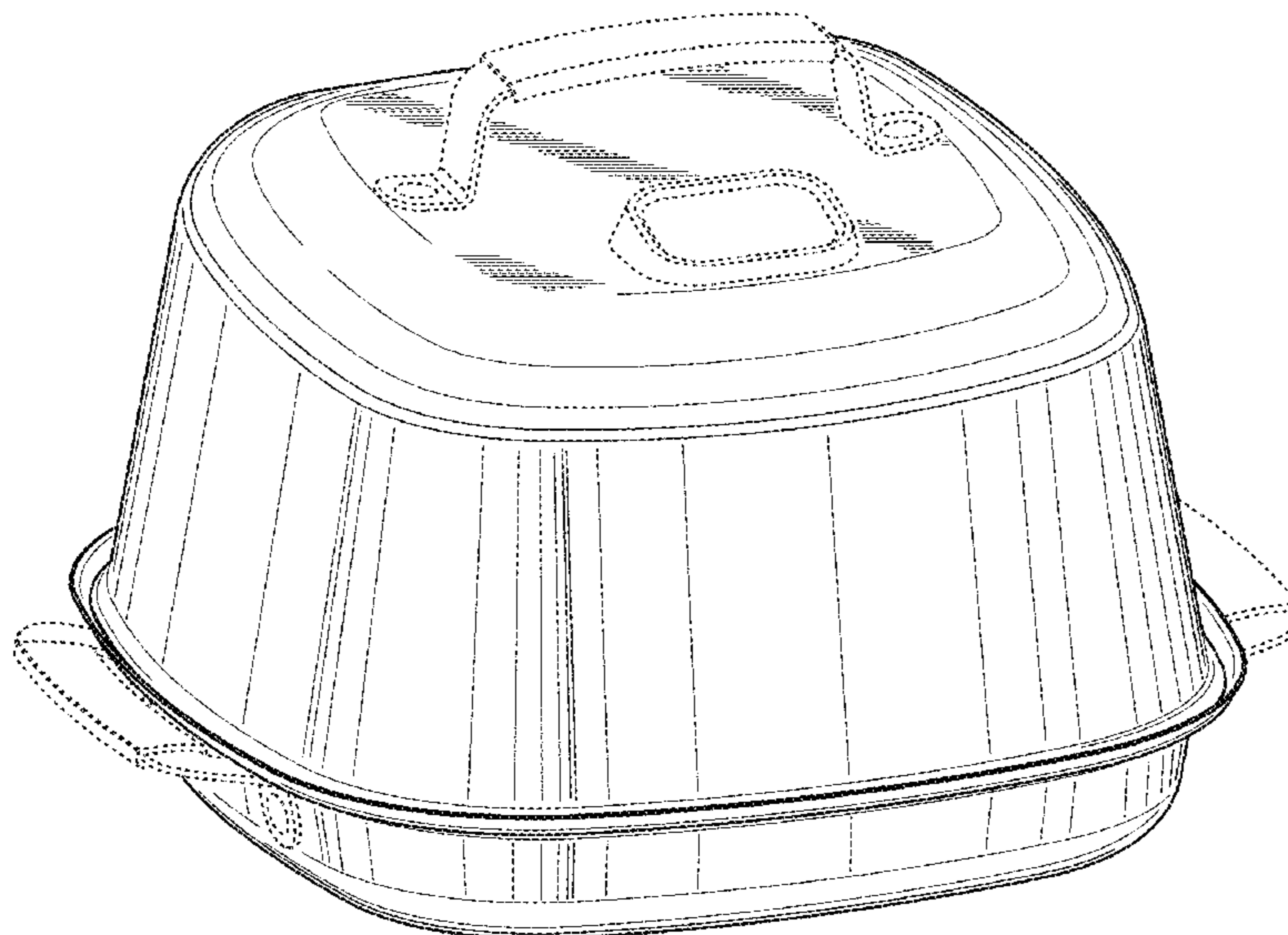
(57) **CLAIM**
The ornamental design for a stovetop smoker, as shown and described.

DESCRIPTION

FIG. 1 is a top perspective view of a stovetop smoker showing my new design;
FIG. 2 is a front elevational view thereof;
FIG. 3 is a right side elevational view thereof; the left side being a mirror image;
FIG. 4 is a rear elevational view thereof;
FIG. 5 is a top plan view thereof; and,
FIG. 6 is a bottom plan view thereof.
The broken lines in FIGS. 1 to 5 showing a handle on the top cover of the stovetop smoker forms no part of the claimed design. The broken lines in FIGS. 1 to 6 showing handles on the left and right sides of the base of the stovetop smoker form no part of the claimed design. The broken lines in FIGS. 1 to 5 showing a thermometer on the top cover of the stovetop smoker form no part of the claimed design. The broken lines in FIG. 6 showing ribs on the bottom of the base of the stovetop smoker form no part of the claimed design.

1 Claim, 6 Drawing Sheets

- (56) **References Cited**
U.S. PATENT DOCUMENTS
- 2,269,480 A * 1/1942 Rehm A47J 37/103
126/275 R
- 3,116,704 A * 1/1964 Byars, Sr. A47J 37/079
126/162
- 3,228,319 A * 1/1966 Miller A47J 37/0718
126/18
- 4,197,940 A * 4/1980 DeRossett A47G 19/26
220/780



(56)

References Cited

U.S. PATENT DOCUMENTS

D725,958 S * 4/2015 Karako D7/354
D777,516 S * 1/2017 Hunsaker D7/417
9,730,555 B1 * 8/2017 Lee A47J 47/14
D798,649 S * 10/2017 Keating D7/354
D807,107 S * 1/2018 Garman D7/354

OTHER PUBLICATIONS

Budweiser Stovetop Smoker—The Original Stainless Steel Smoker with Wood Chips—Works over any heat source, indoor or outdoor [online], site visited [Jul. 26, 2017]. Available from Internet URL: <https://www.amazon.com/Budweiser-Stovetop-Smoker-Original-Stainless>.

Demeyere Resto Stovetop Smoker, 12.5 [online], site visited [Jul. 26, 2017]. Available from Internet URL: <https://www.amazon.com/Demeyere-Resto-Stovetop-Smoker-12-5>.

Curtis Stone Stovetop Indoor Smoker [online], site visited [Jul. 26, 2017]. Available from Internet URL: <https://www.amazon.com/Curtis-Stone-Stovetop-Indoor-Smoker>.

* cited by examiner

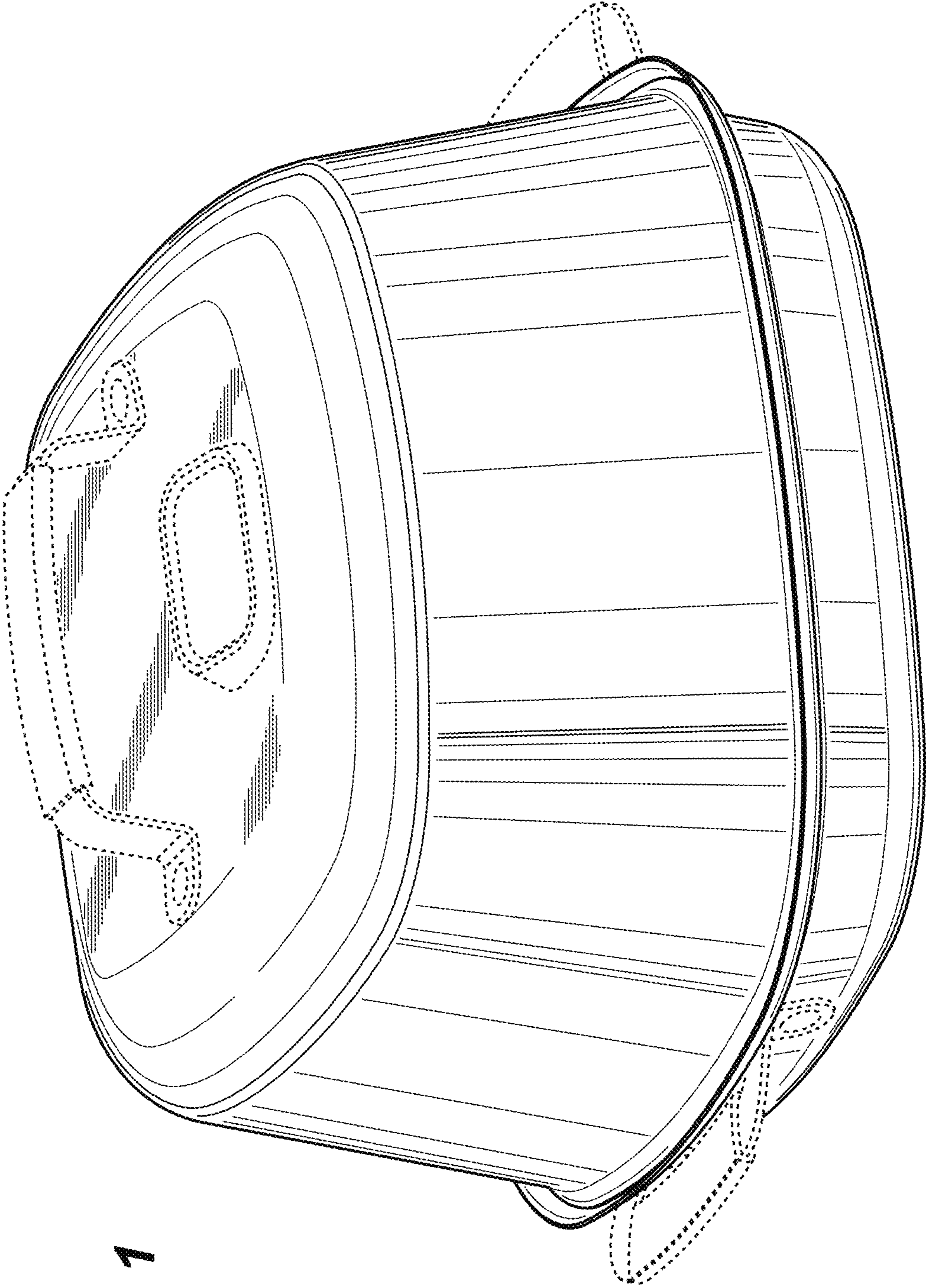


FIG. 1

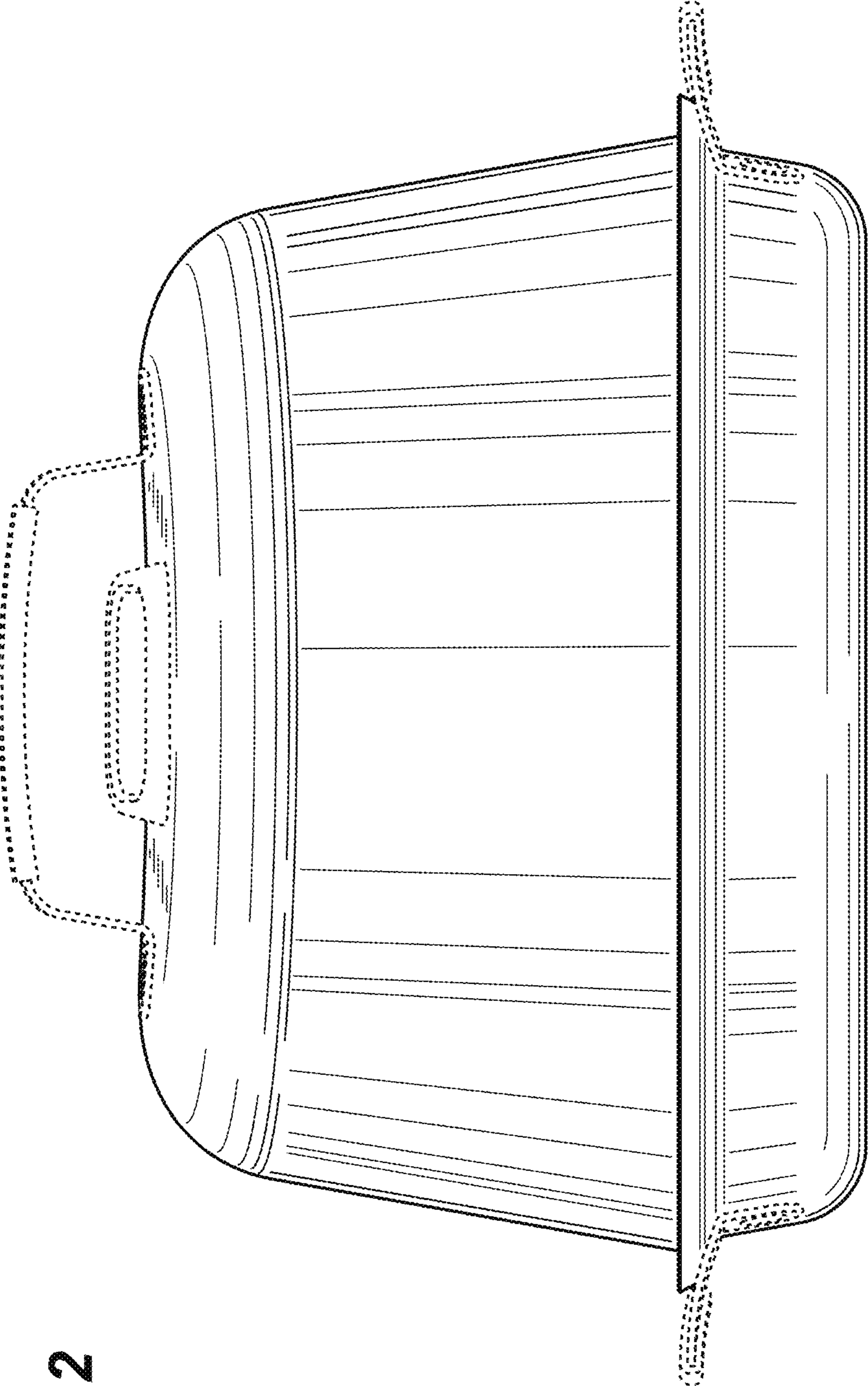


FIG. 2

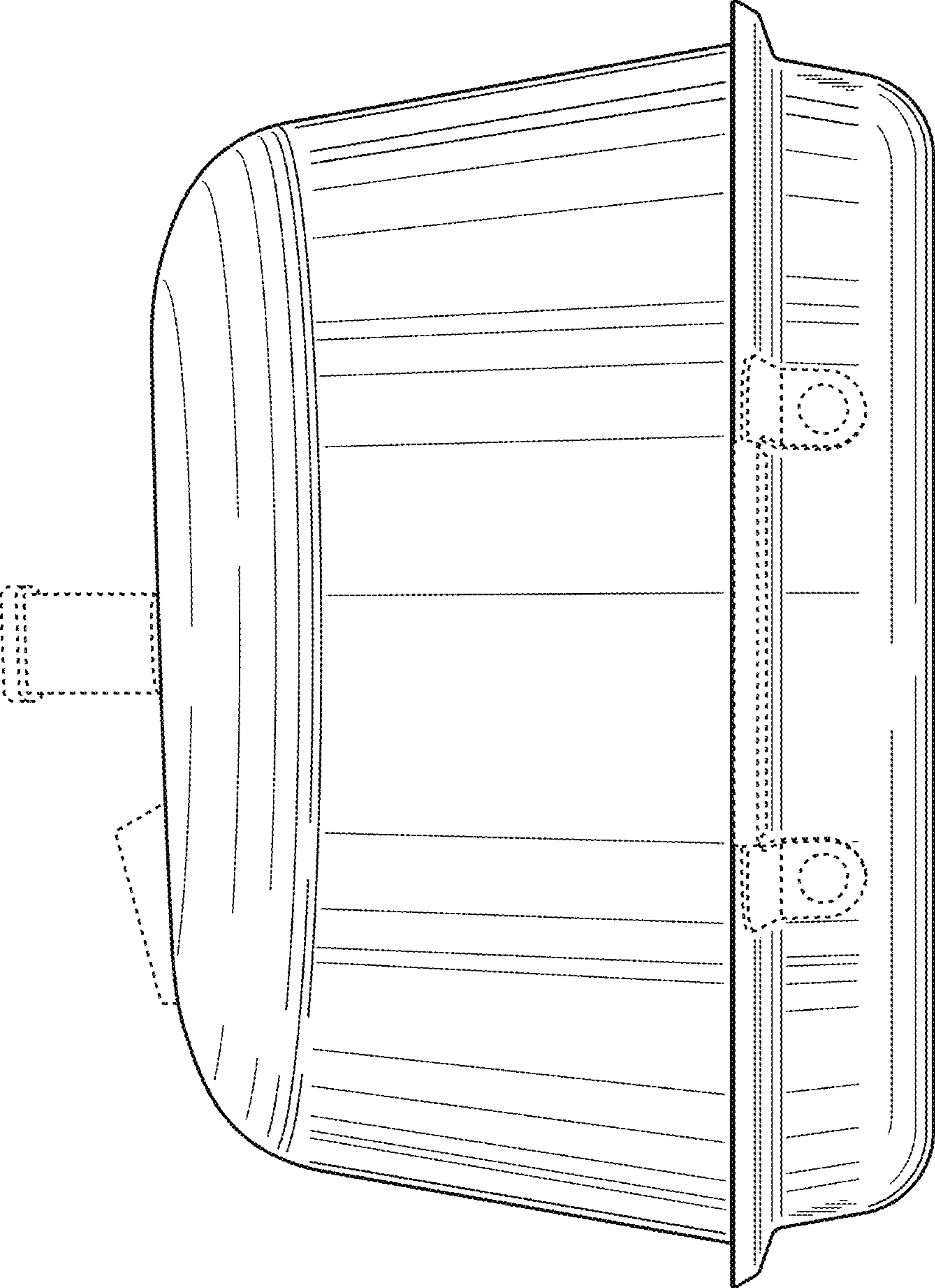


FIG. 3

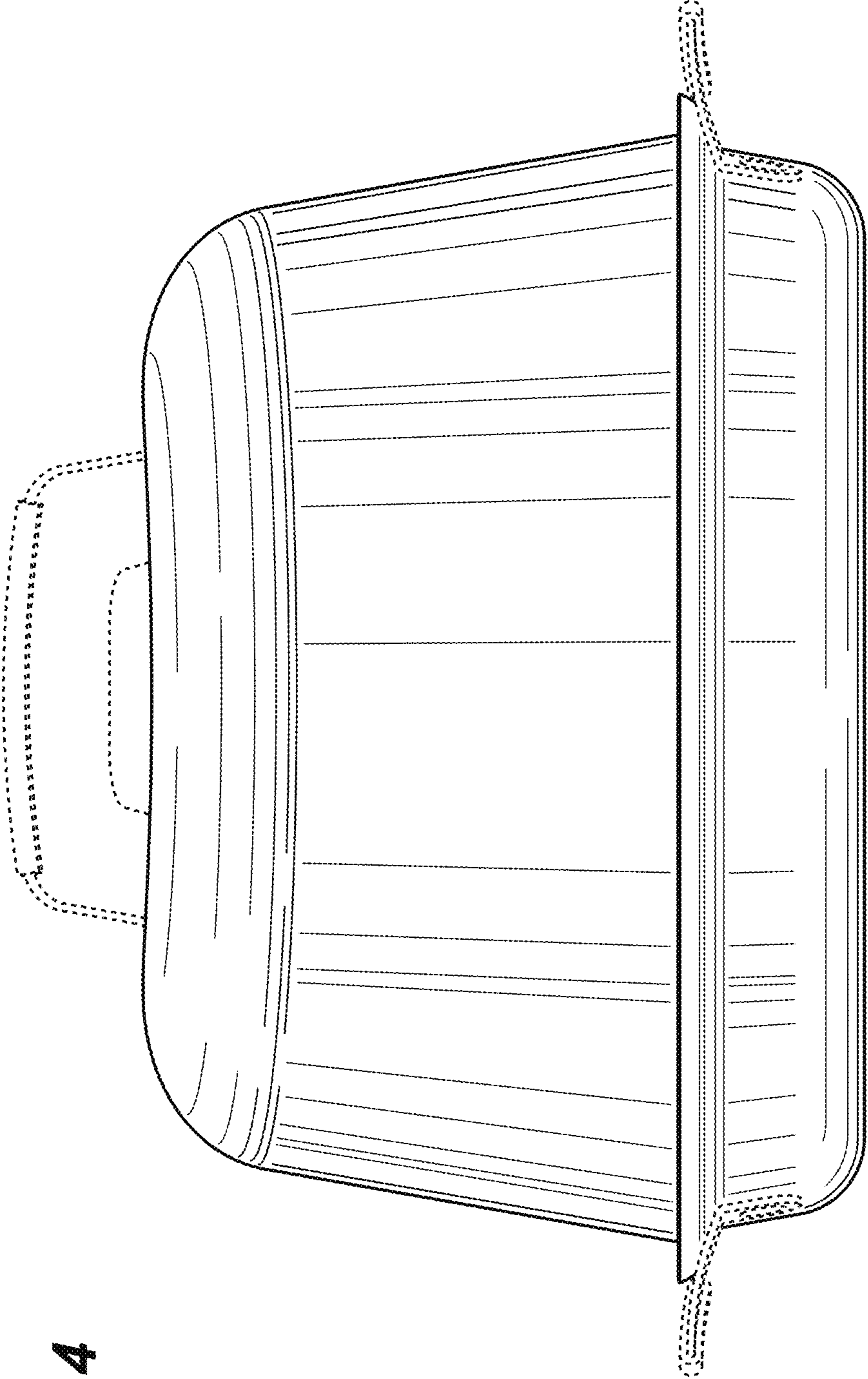


FIG. 4

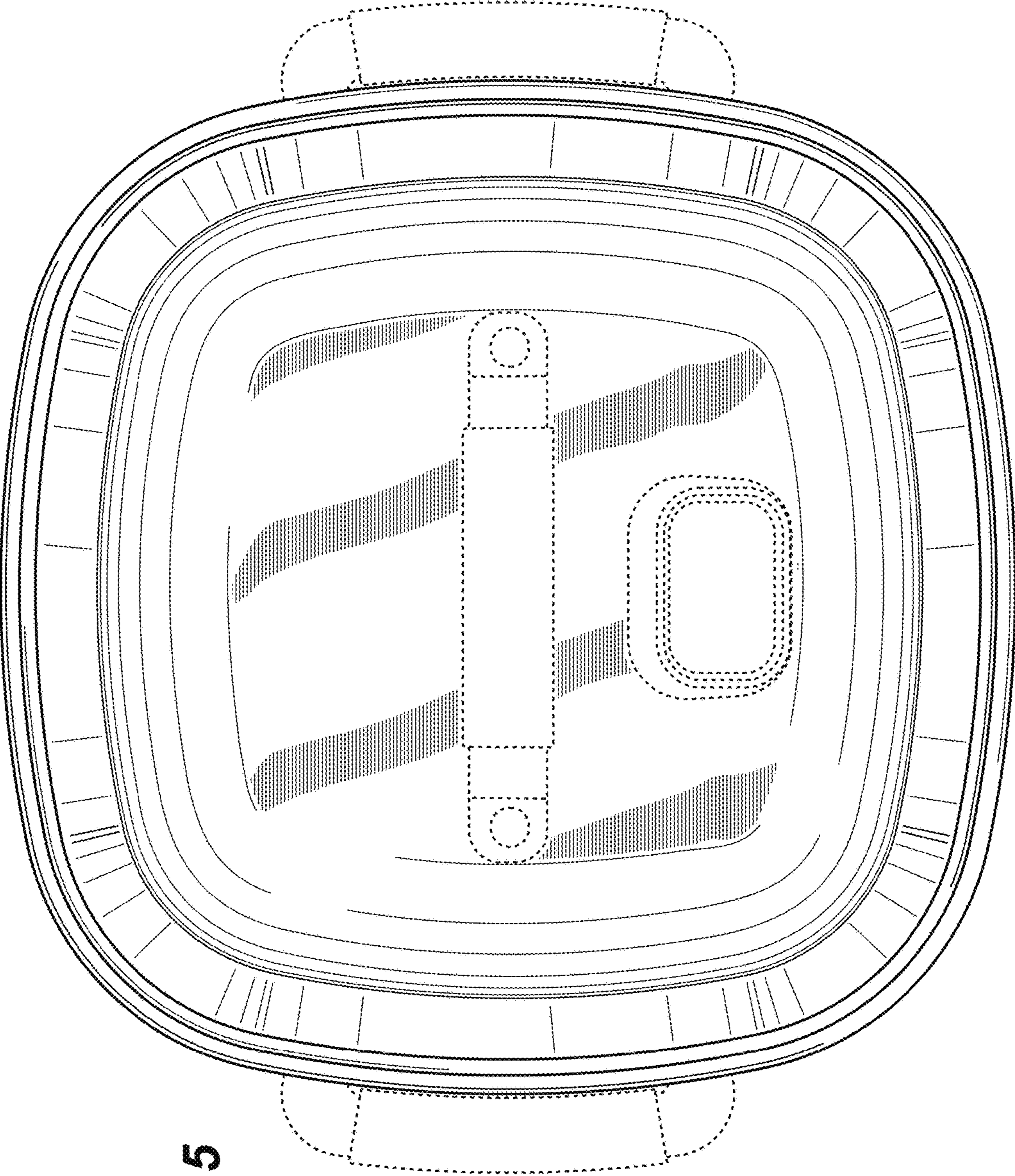


FIG. 5

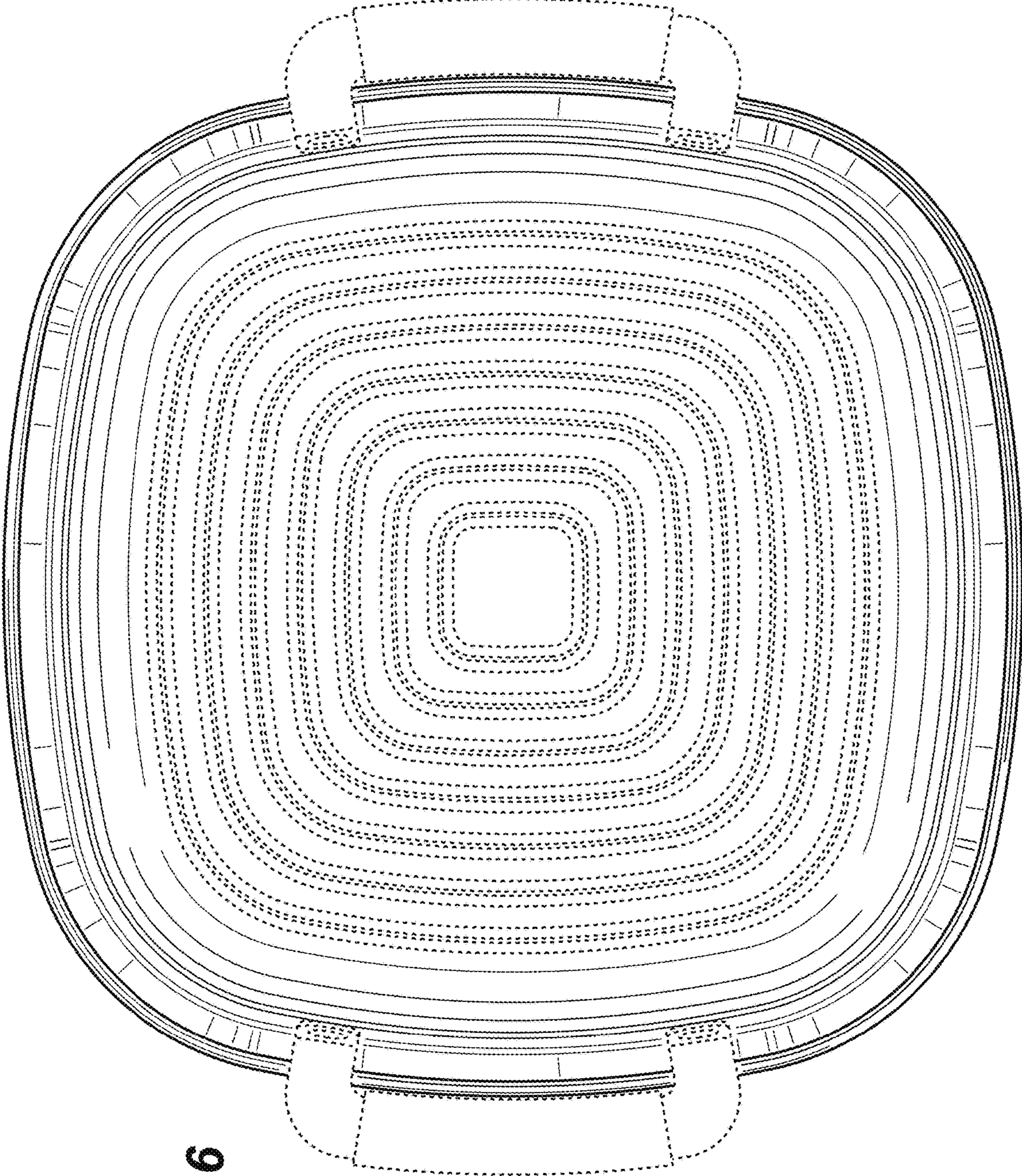


FIG. 6