



US00D829486S

(12) **United States Design Patent** (10) **Patent No.:** **US D829,486 S**
Mirchandani et al. (45) **Date of Patent:** **** Oct. 2, 2018**

(54) **PAN**
(71) Applicants: **TRISTAR PRODUCTS, INC.**,
Fairfield, NJ (US); **KE M.O. HOUSE**
CO., LTD., Shenzhen (CN)

D147,000 S * 6/1947 Weymiss D7/360
D169,799 S 6/1953 Bourne-Vanneck
D176,328 S * 12/1955 Hampshire D7/361
(Continued)

(72) Inventors: **Keith Mirchandani**, Fairfield, NJ (US);
Mo-Tsan Tsai, Shenzhen (CN)

FOREIGN PATENT DOCUMENTS
CA 1040246 A 10/1978
CA 2119705 A1 9/1994
(Continued)

(73) Assignees: **Tristar Products, Inc.**, Fairfield, NJ
(US); **KE M.O. House Co., Ltd.**,
Shenzhen (CN)

OTHER PUBLICATIONS

(**) Term: **15 Years**

<http://www.copperchef.com/> Available Dec. 18, 2015.*
(Continued)

(21) Appl. No.: **29/589,566**

(22) Filed: **Jan. 3, 2017**

Primary Examiner — Susan B Hattan
Assistant Examiner — Leanne Was-Englehart
(74) *Attorney, Agent, or Firm* — Adler Pollock &
Sheehan P.C.; Daniel J. Holmader, Esq.

Related U.S. Application Data

(63) Continuation of application No. 29/552,601, filed on
Jan. 24, 2016, now Pat. No. Des. 778,103, which is a
continuation-in-part of application No. 29/547,842,
filed on Dec. 8, 2015.

(57) **CLAIM**

The ornamental design for a pan, as shown and described.

(30) **Foreign Application Priority Data**

Dec. 1, 2015 (CN) 2015 3 0493868

(51) **LOC (11) Cl.** **07-02**

(52) **U.S. Cl.**
USPC **D7/354**

(58) **Field of Classification Search**
USPC D7/354, 359, 360, 361, 393, 394, 395,
D7/543, 600, 648; D9/430, 431, 432
CPC A47J 27/002; A47J 37/10; A47J 37/101;
A47J 37/105; A47J 37/043; A47J 45/071
See application file for complete search history.

DESCRIPTION

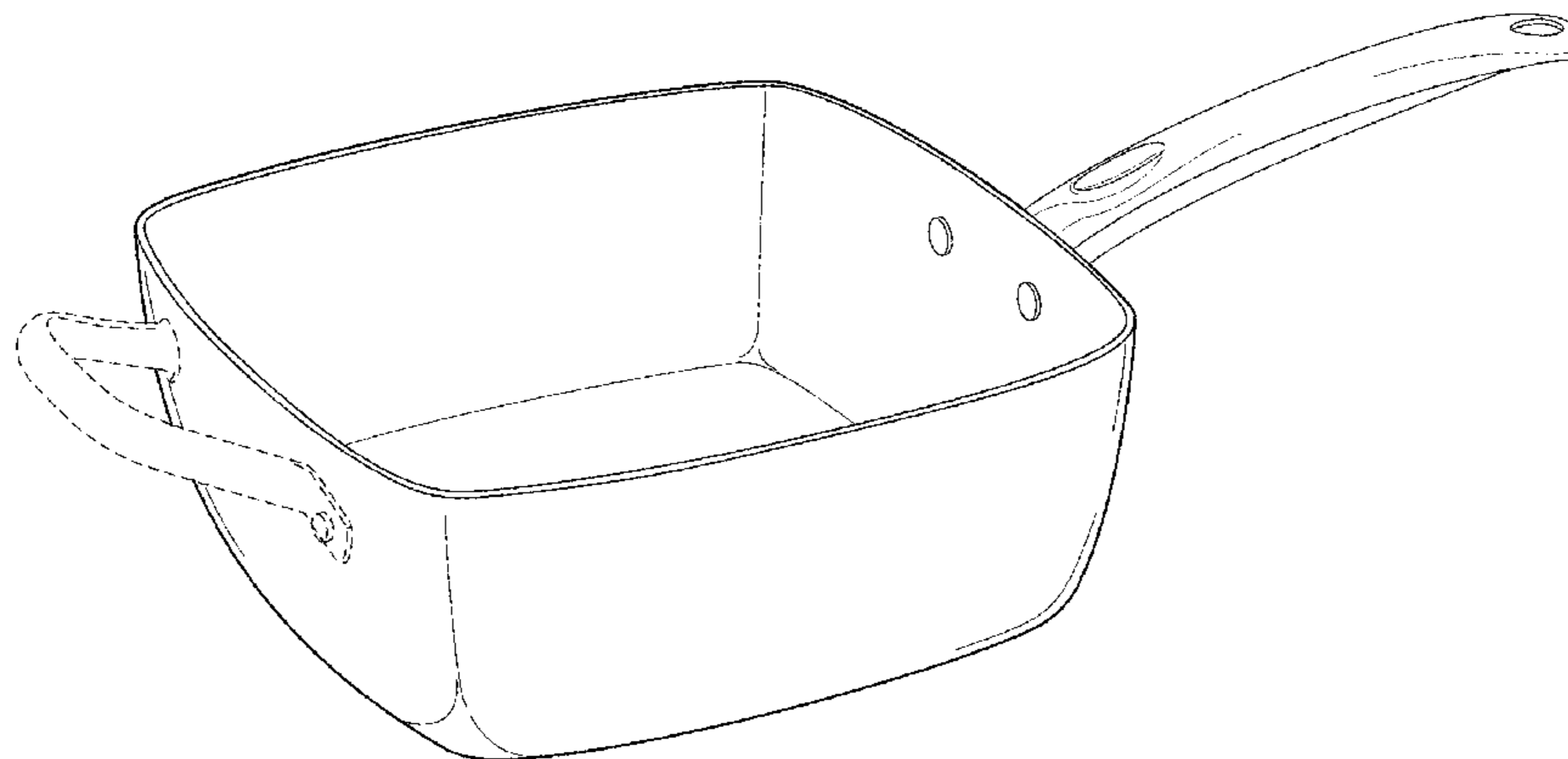
FIG. 1 is a perspective view of the pan;
FIG. 2 is a front view thereof;
FIG. 3 is a rear view thereof;
FIG. 4 is a right side view thereof;
FIG. 5 is a left side view thereof;
FIG. 6 is a top view thereof;
FIG. 7 is a bottom view thereof; and,
FIG. 8 is a right side view of the pan of FIG. 1 positioned
over a gas stove burner, which is shown in broken lines.
The elements depicted in broken lines in the various figures
are included for environmental purposes only, and form no
part of the claimed design.

(56) **References Cited**

U.S. PATENT DOCUMENTS

D27,936 S 12/1897 Schmidt
2,085,220 A 12/1936 Howlett

1 Claim, 8 Drawing Sheets



(56)

References Cited

U.S. PATENT DOCUMENTS

2,872,561	A *	2/1959	Humphrey	A47J 37/105	D618,491	S	6/2010	Welk et al.
					D618,505	S	6/2010	Rae
D199,748	S *	12/1964	De Fano	D7/360	D621,652	S	8/2010	Dodane
3,179,277	A *	4/1965	Olson	A47J 37/10	D627,193	S	11/2010	Mahn
					D631,281	S	1/2011	Bodum
					D637,861	S	5/2011	Degnan
3,384,195	A *	5/1968	Jepson	A47J 37/105	D639,602	S	6/2011	Bodum
					D641,585	S	7/2011	Cheng
					D642,013	S	7/2011	Rae
D215,467	S *	10/1969	Salkoff	D7/361	D642,426	S	8/2011	Rae
D218,348	S *	8/1970	Aubecq	D7/361	D642,427	S	8/2011	Rae
D219,047	S *	10/1970	Gibson	D7/360	D651,037	S *	12/2011	Moodie D7/354
3,847,068	A	11/1974	Beer et al.		D654,307	S	2/2012	Loaiza
D246,884	S *	1/1978	Finke	D7/361	D657,992	S	4/2012	Moodie et al.
4,258,694	A	3/1981	Kato		D661,946	S	6/2012	Bogani
D263,670	S	4/1982	Schawalder		D662,357	S	6/2012	Moulin
D280,175	S *	8/1985	Bassett	D7/354	D662,775	S	7/2012	Moulin
D280,589	S *	9/1985	Bassett	D7/360	D663,582	S	7/2012	Moulin
D280,590	S *	9/1985	Schrage	D7/360	D664,000	S	7/2012	Moulin
4,574,777	A	3/1986	Bohl et al.		D667,685	S	9/2012	Rae
D292,470	S *	10/1987	Oh	D7/354	D669,730	S	10/2012	Mandil
4,926,843	A	5/1990	Vocke et al.		D672,604	S *	12/2012	Upston D7/354
D338,370	S	8/1993	Takeda		D682,012	S	5/2013	Lin
5,323,693	A	6/1994	Collard et al.		D682,013	S	5/2013	Huang
5,395,741	A	3/1995	Marchman		D685,222	S	7/2013	Dang
5,396,834	A	3/1995	Gambini		D689,326	S	9/2013	Ortegon et al.
5,497,696	A	3/1996	Coudurier et al.		D692,721	S	11/2013	Rae
D372,394	S	8/1996	Rossiaud		D693,627	S	11/2013	Moon et al.
D373,286	S	9/1996	Antonio		D696,059	S	12/2013	Bourbeau
D373,287	S	9/1996	Antonio		D696,060	S	12/2013	Schleinker
D374,149	S	10/1996	Candianides		D697,751	S *	1/2014	Schleinker D7/354
5,562,023	A	10/1996	Harrison		D702,486	S *	4/2014	Bowden D7/354
D377,438	S	1/1997	Brunianyn		D710,647	S	8/2014	Mandil et al.
D392,152	S	3/1998	Rae		D711,184	S *	8/2014	Bowden D7/354
5,884,555	A	3/1999	Chang		D711,185	S *	8/2014	Bowden D7/354
D414,981	S	10/1999	Roskind et al.		D712,193	S	9/2014	Nagrani
5,967,024	A	10/1999	Demars		D712,194	S	9/2014	Thonis
D426,107	S	6/2000	Cheng		D717,101	S	11/2014	Shin
D431,151	S	9/2000	Brunianyn		D717,583	S	11/2014	Shin
D443,467	S *	6/2001	Bradley	D7/360	D720,177	S	12/2014	Genatossio
D443,794	S *	6/2001	Garber	D7/360	D732,335	S	6/2015	Thonis
D445,642	S	7/2001	Rae		D734,091	S	7/2015	Moon et al.
D449,204	S	10/2001	Groll		D746,628	S	1/2016	Nagrani
D450,217	S	11/2001	Rae		D751,334	S	3/2016	Pan
D458,796	S	6/2002	Kellermann		D751,860	S	3/2016	McConnell et al.
D458,797	S	6/2002	Kellermann		9,277,836	B2 *	3/2016	Dalton A47J 37/10
D458,798	S	6/2002	Kellermann		D752,912	S	4/2016	Venot et al.
6,439,110	B1	8/2002	Lin		D758,123	S	6/2016	Gabbay
D467,462	S	12/2002	Teisen-Somony		D758,128	S	6/2016	McConnell et al.
D470,716	S	2/2003	Kloppsteck		D761,614	S *	7/2016	Zemel D7/354
6,523,460	B1	2/2003	Lange		D764,857	S	8/2016	McConnell et al.
D472,759	S	4/2003	Teisen-Simony et al.		D766,647	S	9/2016	Calkins
D482,233	S	11/2003	Rae		D772,641	S *	11/2016	Mirchandani D7/354
D510,233	S	10/2005	Giannone		D774,349	S	12/2016	Zemel et al.
D520,811	S	5/2006	Spagnolo		D776,477	S *	1/2017	Mirchandani D7/354
D522,308	S	6/2006	Ball et al.		D777,506	S	1/2017	Mirchandani et al.
D534,031	S	12/2006	Roussard		D778,103	S *	2/2017	Mirchandani D7/354
D549,041	S	8/2007	Kellermann et al.		D778,664	S *	2/2017	Mirchandani D7/354
D555,418	S	11/2007	Cheng		D783,338	S	4/2017	Mirchandani et al.
D555,421	S	11/2007	Thurlow et al.		9,642,492	B2	5/2017	Wang et al.
D559,032	S	1/2008	Kellermann		D790,908	S	7/2017	Mirchandani et al.
D562,060	S	2/2008	Kloppsteck		D790,909	S	7/2017	Mirchandani et al.
D562,621	S	2/2008	Kloppsteck		D791,529	S	7/2017	Mirchandani et al.
7,415,922	B2	8/2008	Cheng		D797,491	S	9/2017	Mirchandani et al.
D579,714	S	11/2008	Cheng		D797,494	S	9/2017	Mirchandani et al.
D581,721	S	12/2008	Rae		2005/0211106	A1	9/2005	Dierkes
D585,734	S *	2/2009	Doliwa	D7/629	2006/0096467	A1	5/2006	Dominguez
D586,177	S	2/2009	Loring		2007/0193575	A1	8/2007	Horng-Yi
D586,612	S	2/2009	Rae		2008/0035139	A1	2/2008	Marin
D587,519	S	3/2009	Cheng		2009/0007801	A1	1/2009	Giner Pena et al.
D588,402	S	3/2009	Rae		2009/0152276	A1	6/2009	Groll
D589,741	S	4/2009	Gerlach		2010/0083949	A1	4/2010	Lisheng
D592,450	S	5/2009	Rae		2010/0206884	A1	8/2010	Tunstall
D594,270	S	6/2009	Rae		2012/0090476	A1	4/2012	Wang et al.
D594,271	S	6/2009	Bodum		2012/0199016	A1	8/2012	Droese
D596,896	S	7/2009	Munari		2012/0325095	A1	12/2012	O'Donnell
D614,445	S	4/2010	Ferron et al.					

(56)

References Cited

OTHER PUBLICATIONS

U.S. PATENT DOCUMENTS

2013/0200080 A1* 8/2013 Dalton A47J 37/10
220/573.1
2014/0353316 A1 12/2014 Lin
2015/0001226 A1 1/2015 Groll

FOREIGN PATENT DOCUMENTS

CA 2203683 A1 6/1998
CA 2316515 A1 2/2001
CA 144241 S 7/2013
CN 2517345 Y 10/2002
CN 03353517 6/2004
CN 200430023243 12/2004
CN 300743744 2/2008
CN 200730123163 7/2008
CN 201150477 Y 11/2008
CN 200730319097 12/2008
CN 200830078454 7/2009
CN 301060141 11/2009
CN 200830261699 11/2009
CN 201481139 U 5/2010
CN 301355624 9/2010
CN 201668262 U 12/2010
CN 301766853 12/2011
CN 201130130856 S 12/2011
CN 302846862 6/2014
CN 303401337 10/2015
CN 201530109145 10/2015
CN 303435718 11/2015
CN 303503839 12/2015
EM 001171466-0002 10/2009
EM 001320717-0001 4/2012
EM 002376497 * 1/2014
EM 002445940-0025 4/2014
EP 0246607 A1 11/1987
EP 000368949-0001 7/2005
EP 001112353-0001 5/2009
EP 001610098-0001 10/2009
EP 002376947-0036 A1 10/2011
EP 001994369-0032 2/2012
EP 002302760-0029 9/2013
EP 002376947-0021 12/2013
EP 002445940-0017 4/2014
EP 002633578-0007 4/2015
FR 2753363 A1 3/1998
GB 673087 A 6/1952
GB 678824 A 9/1952
GB 772268 A 4/1957
GB 850786 A 10/1960
GB 991511 A 5/1965
GB 2466691 A 7/2010
GB 2478145 A 8/2011
JP 1330281 5/2008
JP 1408442 2/2011
JP 1534683 10/2015
KR 300829009 12/2015
WO WO-2011104332 A1 9/2011
WO WO-2011161648 A1 12/2011

Tristar Products, Inc.v. E. Mishan & Sons, Inc.; Opinion; Civil No. 17/1204; 48 pages(D.NJ).
Tristar Products, Inc.v. E. Mishan & Sons, Inc.; C.A. 17-cv-1204; Proposed Order to Show Cause; 34 pages (D.NJ).
Tristar Products, Inc.v. E. Mishan & Sons, Inc.; C.A. No. 17-cv-01204; Answer, Affirmative Defenses and Counterclaims; 12 pages (D.NJ).
Tristar Products, Inc.v. E. Mishan & Sons, Inc.; C.A. No. 17-cv-01204; Tristar Products, Inc.'s Reply Brief in Support of its Motion for a Preliminary Injunction; 146 pages (D.NJ).
Tristar Products, Inc.v. E. Mishan & Sons, Inc.; Complaint; 52 page (D.NJ).
Tristar Products, Inc.v. E. Mishan & Sons, Inc.; C.A. No. 17-cv-01204; Amended Complaint for Patent Infringement and Demand for Jury Trial; 64 pages (D.NJ).
Tristar Products, Inc.v. E. Mishan & Sons, Inc.; C.A. No. 17-cv-01204; Second Amended Complaint for Patent Infringement and Demand for Jury Trial; 82 pages (D.NJ).
Tristar Products, Inc.v. E. Mishan & Sons, Inc.; C.A. No. 17-cv-01204; Defendant E. Mishan & Sons Inc.'s Response to Court Order to Show Cause; Part 1 of 3; pp. 1-150 (D.NJ).
Tristar Products, Inc.v. E. Mishan & Sons, Inc.; C.A. No. 17-cv-01204; Defendant E. Mishan & Sons Inc.'s Response to Court Order to Show Cause; Part 2 of 3; pp. 151-300; (D. NJ).
Tristar Products, Inc.v. E. Mishan & Sons, Inc.; C.A. No. 17-cv-01204; Defendant E. Mishan & Sons Inc.'s Response to Court Order to Show Cause; Part 3 of 3; pp. 301-470; (D. NJ).
Tristar Products, Inc.v. Tekno Products Inc., C.A. No. 16-cv-00681 (D.R.I.), Complaint, 15 pgs.
Tristar Products, Inc.v. TV Direct LLC, C.A. No. 17-cv-00060 (D.R.I.), Complaint, 29 pgs.
Tristar Products, Inc.v. Telebrands; 17-cv-01206; Amended Complaint; 68 pages (D.NJ).
Tristar Products, Inc.v. Novel Brands LLC, C.A. No. 17-cv-00043 (D.R.I.), Complaint, 15 pgs.
Tristar Products, Inc.v. Penn LLC; 17-cv-02067; Complaint; 65 pages (D.NJ).
Order Granting Request for Ex Parte Reexamination of U.S. Pat. No. D778,664.
Order Granting Request for Ex Parte Reexamination of U.S. Pat. No. D778103.
Order Granting Request for Ex Parte Reexamination of U.S. Pat. No. D772641.
Request for Ex Parte Reexamination of U.S. Pat. No. D778664; 437 pages.
Request for Ex Parte Reexamination of U.S. Pat. No. D772,641; 390 pages.
Request for Ex Parte Reexamination of U.S. Pat. No. D778,103; 346 pages.
Requester's Corrected Reply to Patent Owner's Statement in Response to Order Granting Ex Parte Reexamination of U.S. Pat. No. D772,641 (292 pgs.).
Requester's Reply to Patent Owner's Statement in Response to Order Granting Ex Parte Reexamination of U.S. Pat. No. D783,352 (10 pgs.).
Requester's Reply to Patent Owner's Statement in Response to Order Granting Ex Parte Reexamination of U.S. Pat. No. D778,103 (356 pgs.).

* cited by examiner

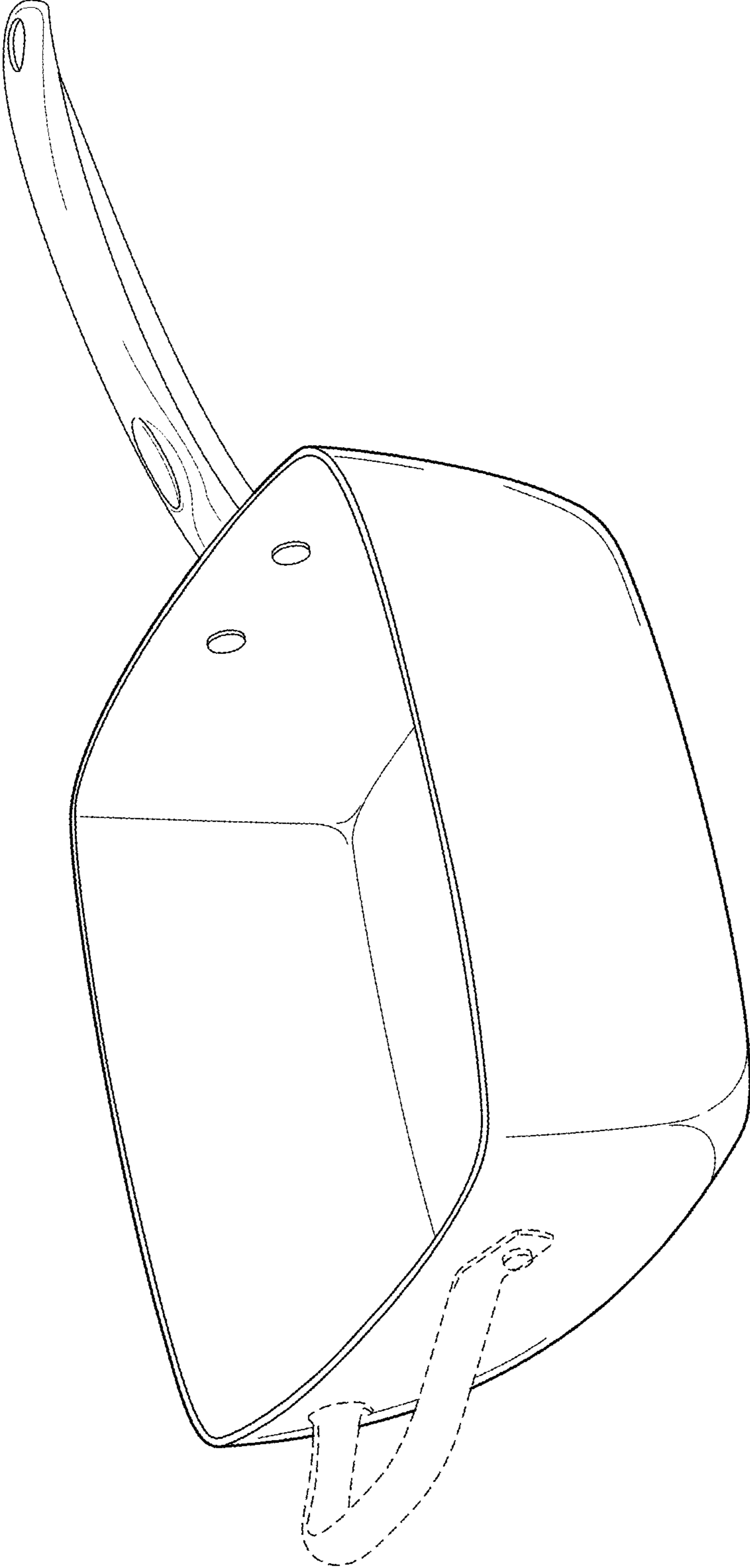


FIG.1

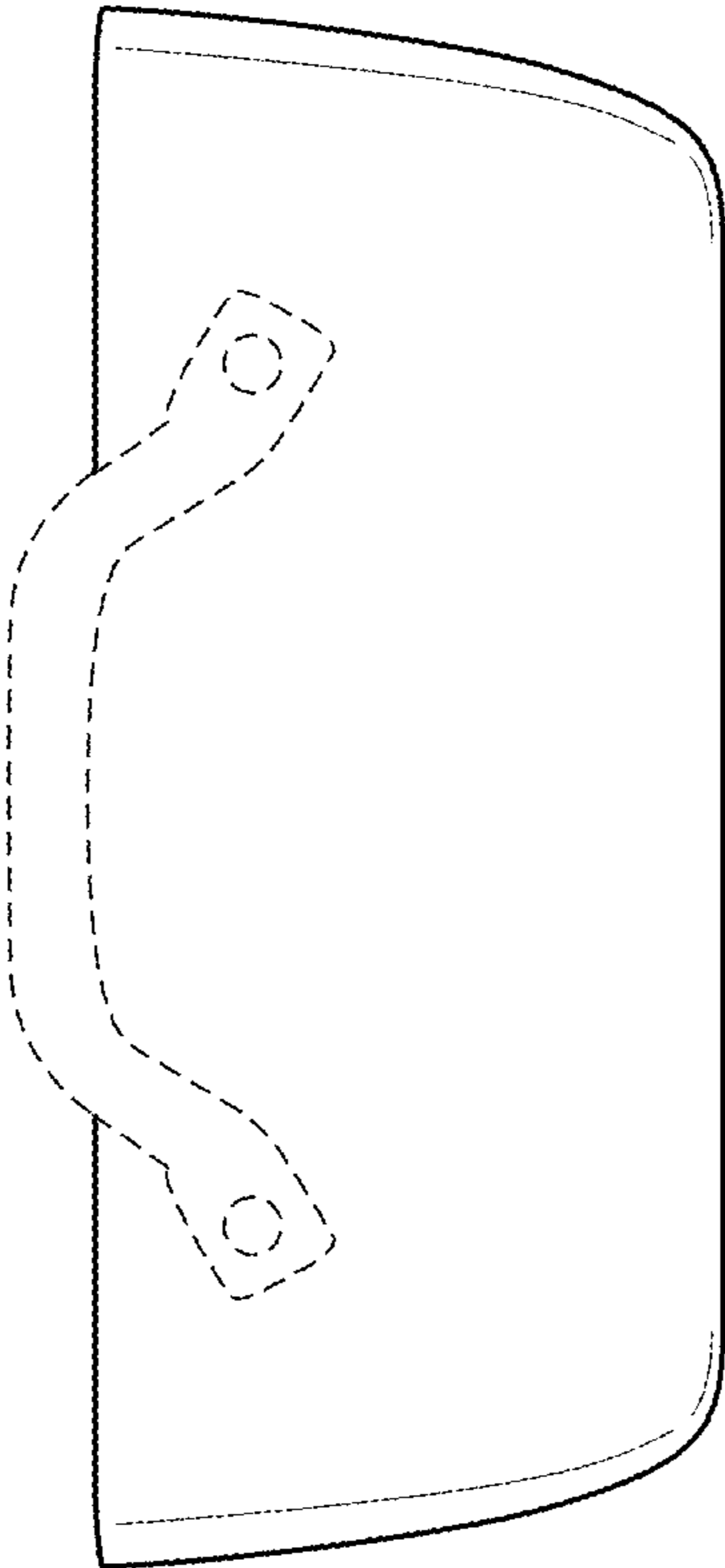


FIG. 2

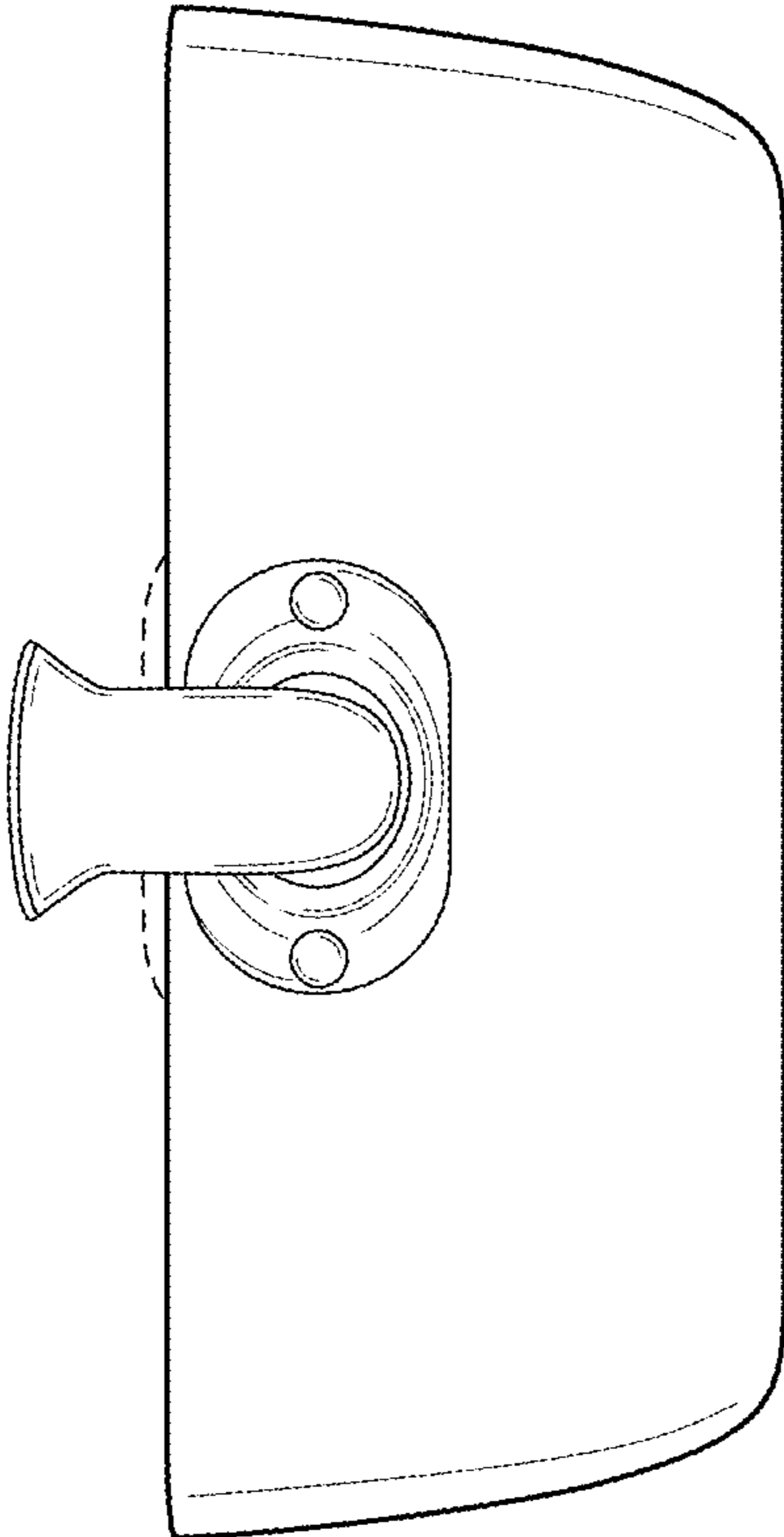


FIG. 3

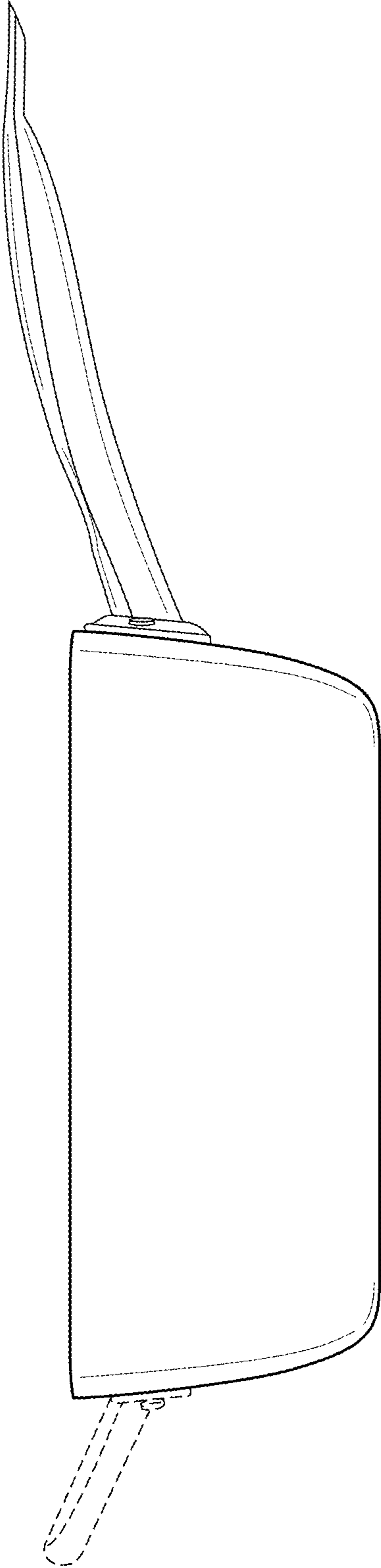


FIG. 4

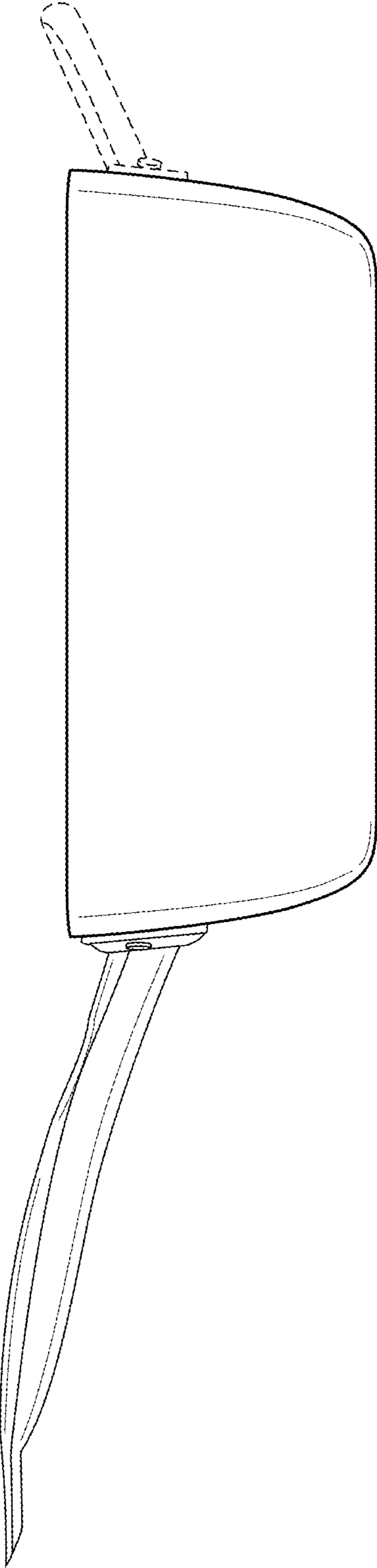


FIG. 5

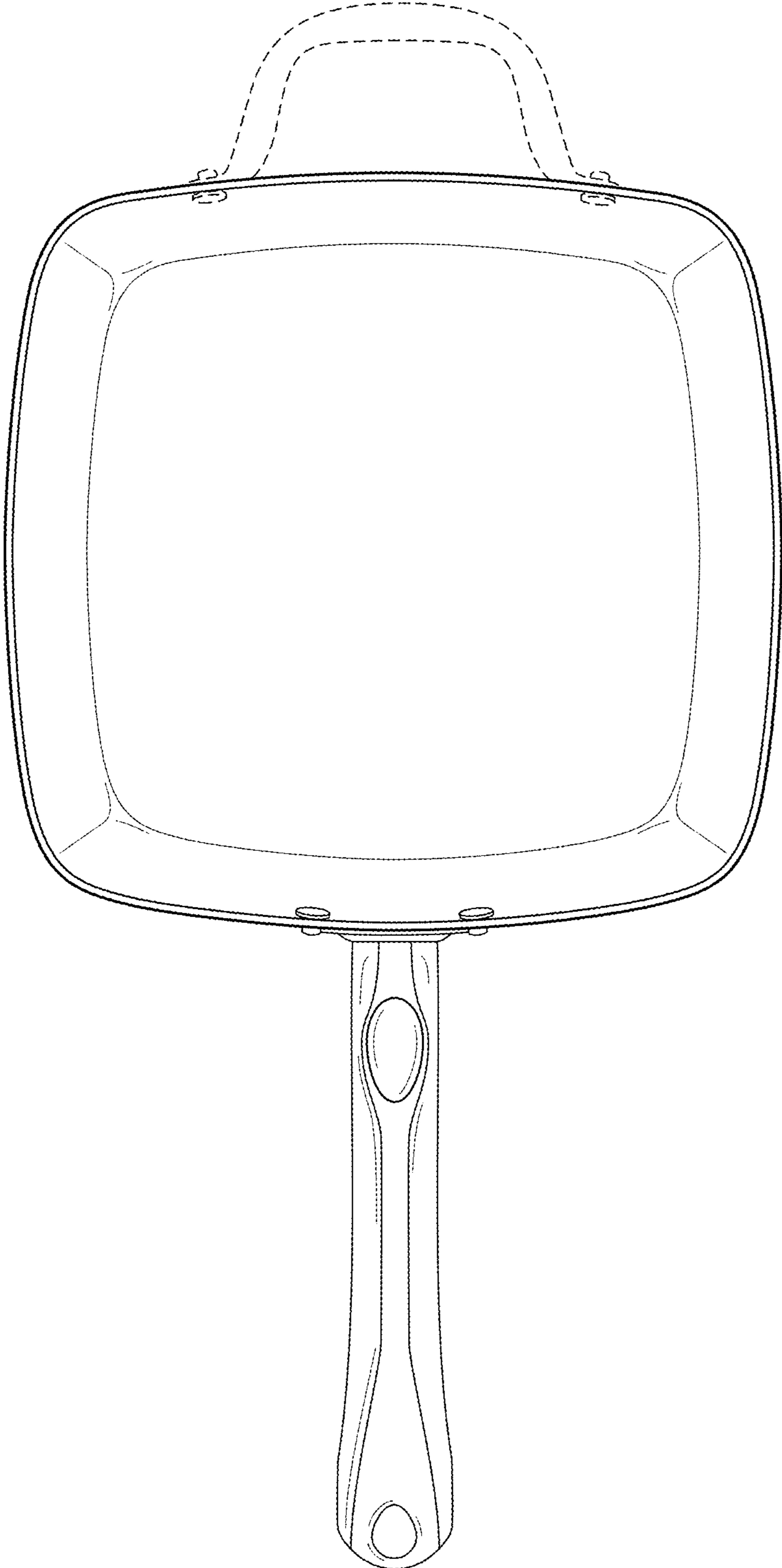


FIG. 6

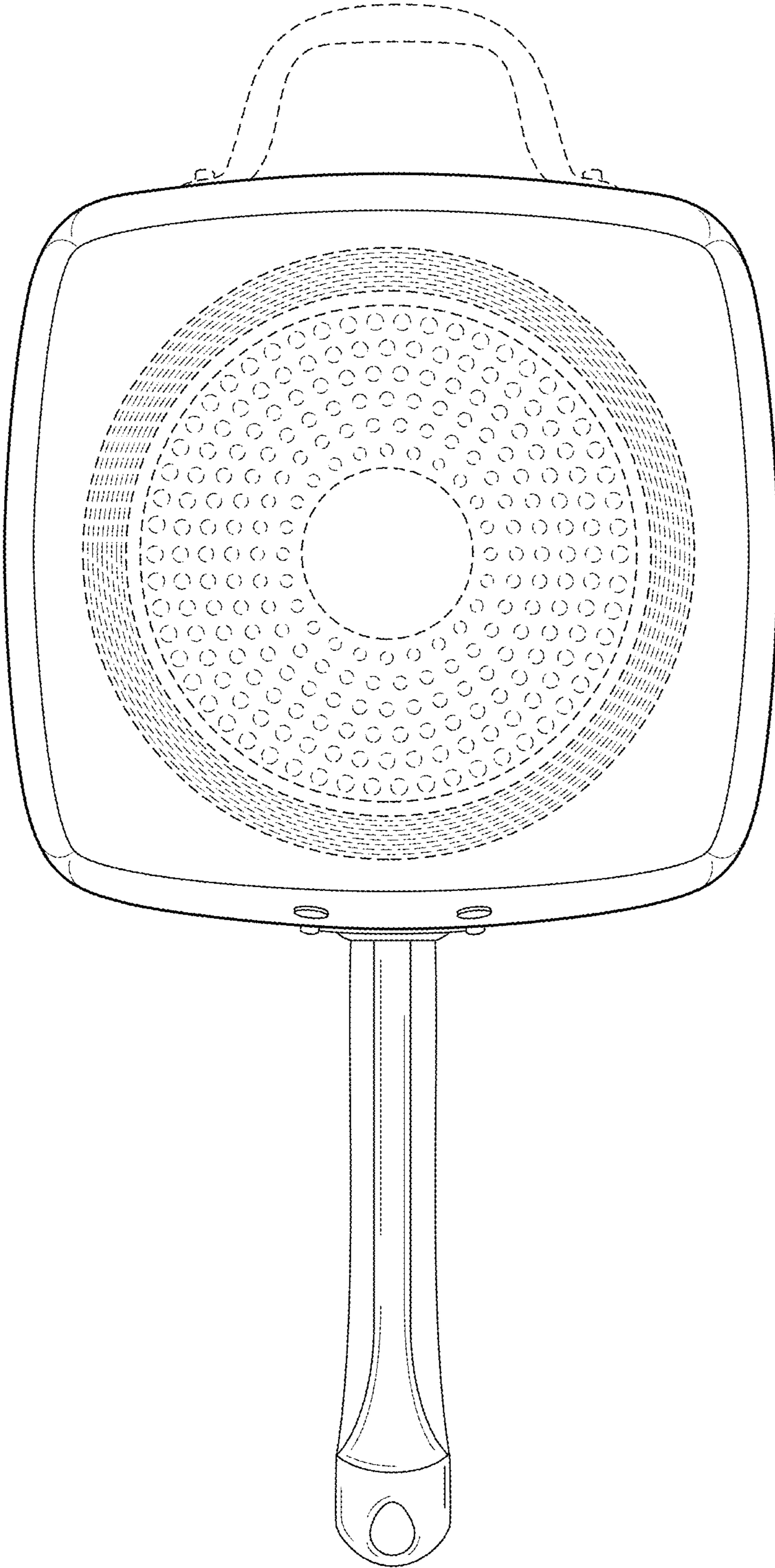


FIG. 7

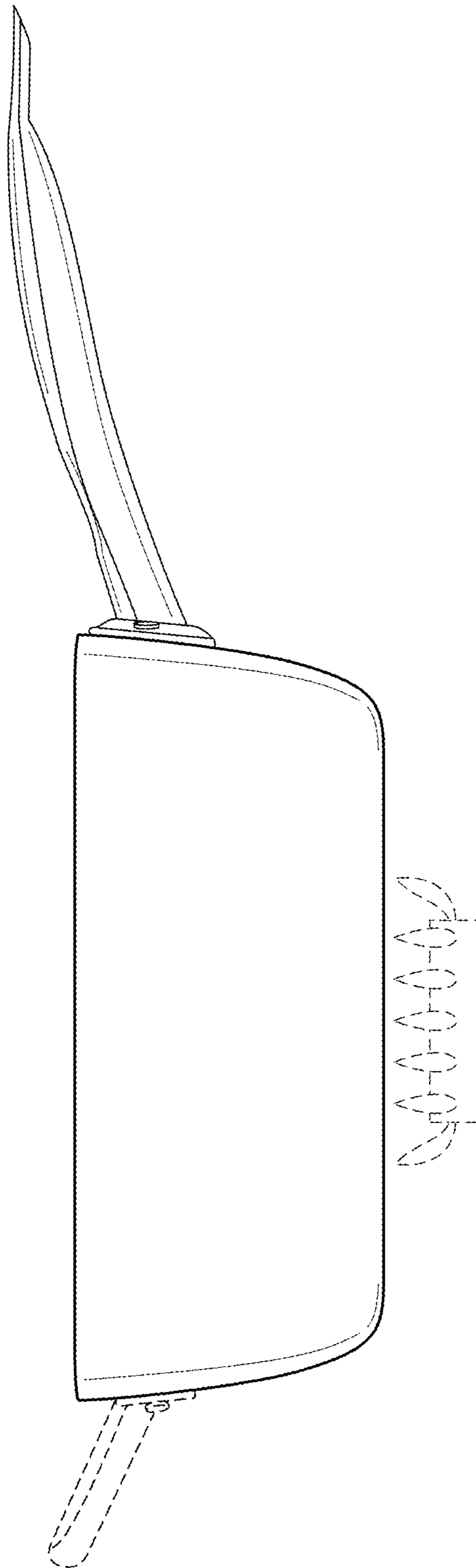


FIG. 8