



US00D829485S

(12) **United States Design Patent**
Morenstein et al.

(10) **Patent No.:** **US D829,485 S**

(45) **Date of Patent:** **** Oct. 2, 2018**

(54) **OVEN**

(71) Applicant: **Brava Home, Inc.**, Redwood City, CA (US)

(72) Inventors: **Joshua Morenstein**, San Francisco, CA (US); **Christopher Hibmacronan**, Oakland, CA (US); **Joseph Benjamin Roth**, San Francisco, CA (US)

(73) Assignee: **BRAVA HOME, INC.**, Redwood City, CA (US)

(**) Term: **15 Years**

(21) Appl. No.: **29/613,390**

(22) Filed: **Aug. 9, 2017**

(51) **LOC (11) Cl.** **07-02**

(52) **U.S. Cl.**
USPC **D7/350.1**

(58) **Field of Classification Search**
USPC D7/350.1-351, 402-403, 405, 354
CPC . H05B 6/64; H05B 6/12; H05B 6/806; H05B 6/6426; H05B 6/6414; A21B 1/52
See application file for complete search history.

(56) **References Cited**

U.S. PATENT DOCUMENTS

- 6,843,207 B2 * 1/2005 Kanzaki F24C 15/003 122/30
- D541,578 S * 5/2007 Jeon D7/350.1

- D586,180 S * 2/2009 Pino D7/405
- D602,306 S * 10/2009 Lavy D7/350.1
- D629,639 S * 12/2010 Fernandez D7/350.1
- D771,995 S * 11/2016 Bhogal D7/350.1
- D771,996 S * 11/2016 Bhogal D7/350.1
- D777,504 S * 1/2017 Bhogal D7/350.1
- D782,864 S * 4/2017 Bhogal D7/350.1
- D783,336 S * 4/2017 Suh D7/351
- D802,996 S * 11/2017 Bhogal D7/405

* cited by examiner

Primary Examiner — Ruth McInroy

(74) *Attorney, Agent, or Firm* — Haynes and Boone, LLP

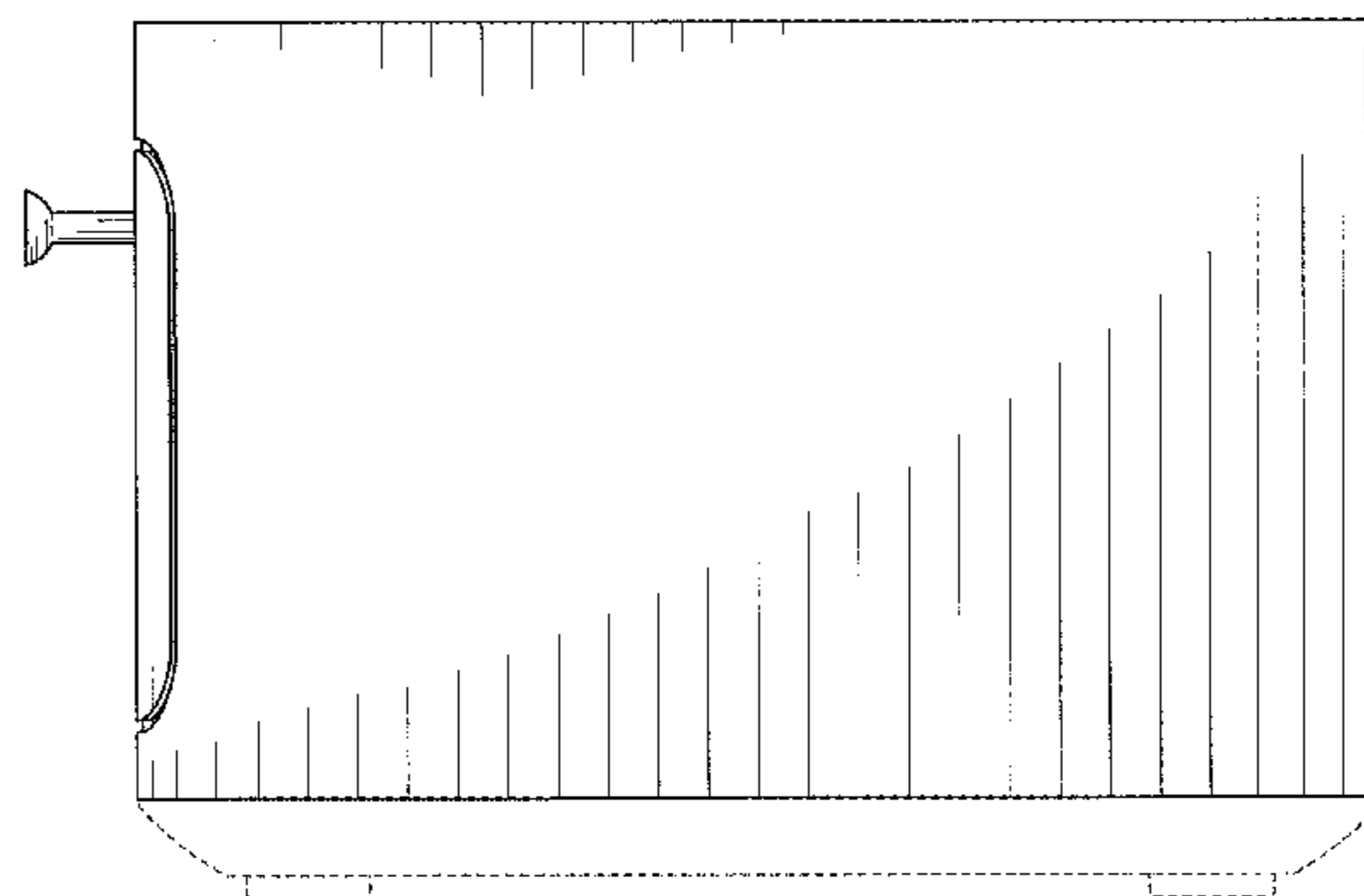
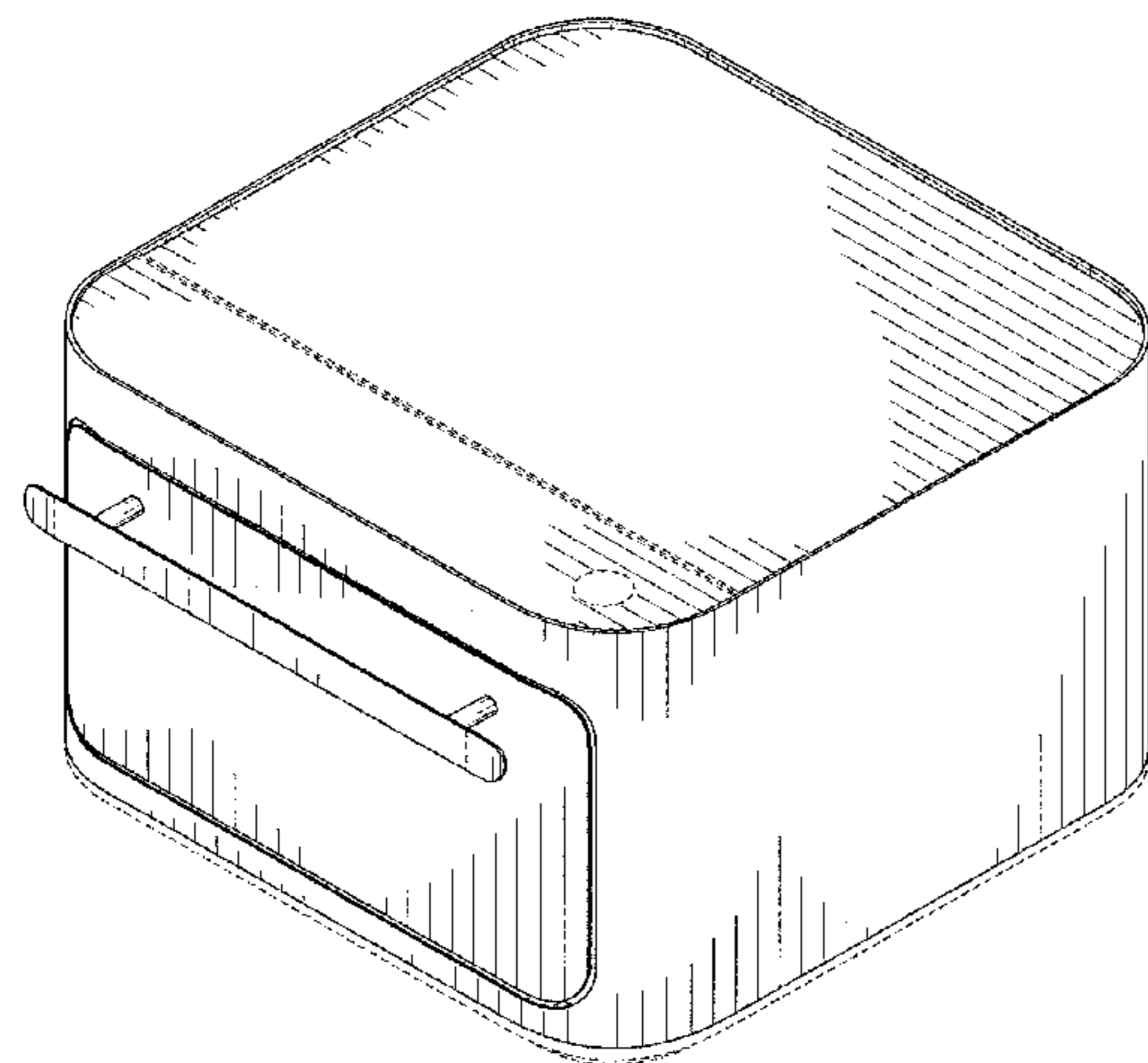
(57) **CLAIM**

The ornamental design for an oven, as shown and described.

DESCRIPTION

FIG. 1 is a perspective view of an oven.
 FIG. 2 is an alternative perspective view of the oven
 FIG. 3 is a front elevational view of the oven.
 FIG. 4 is a rear elevational view of the oven.
 FIG. 5 is a right side elevational view of the oven
 FIG. 6 is a left side elevational view of the oven
 FIG. 7 is a top plan view of the oven; and,
 FIG. 8 is a bottom plan view of the oven.
 The details shown in broken lines form no part of the claimed design.

1 Claim, 8 Drawing Sheets



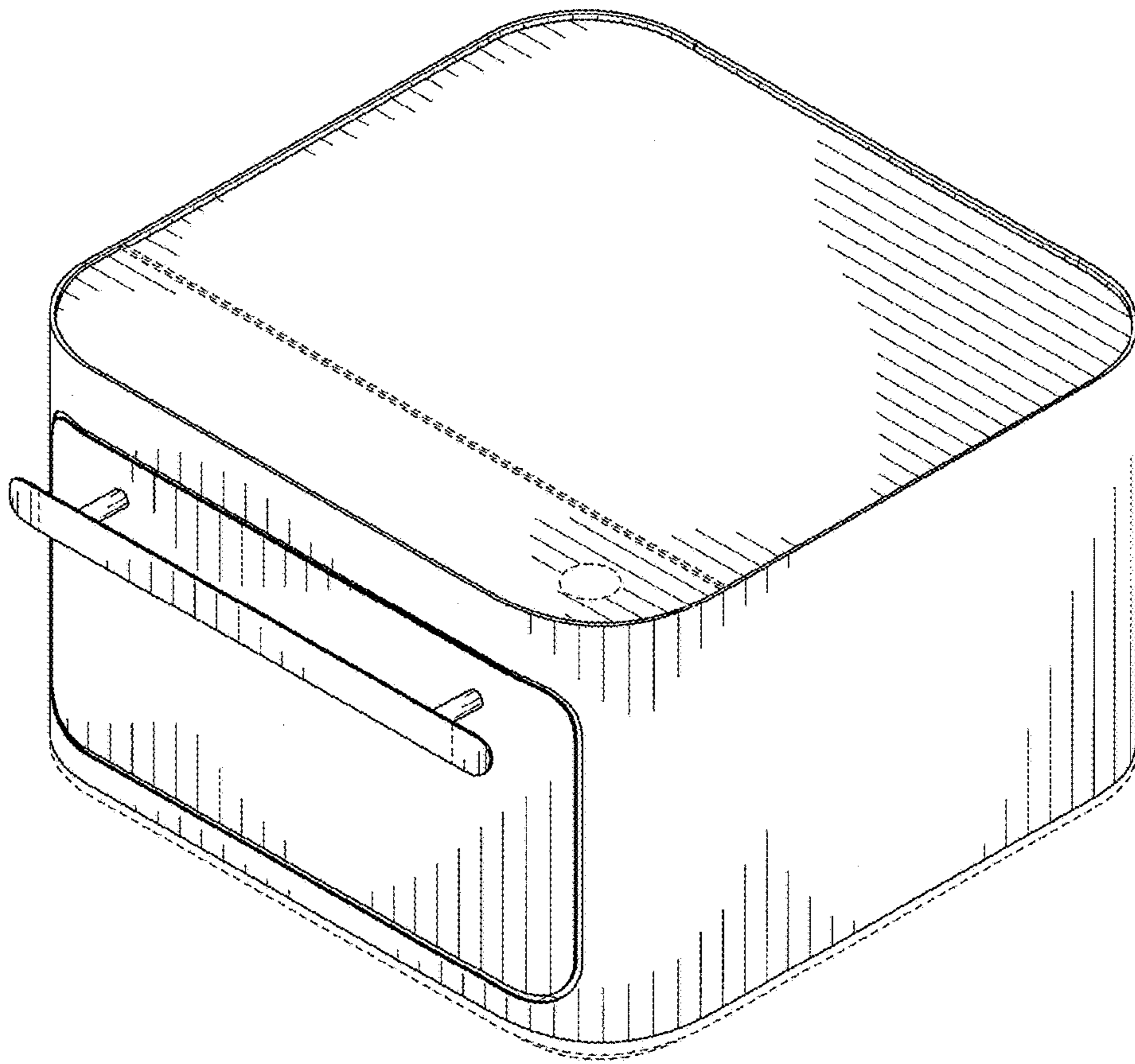


FIG. 1

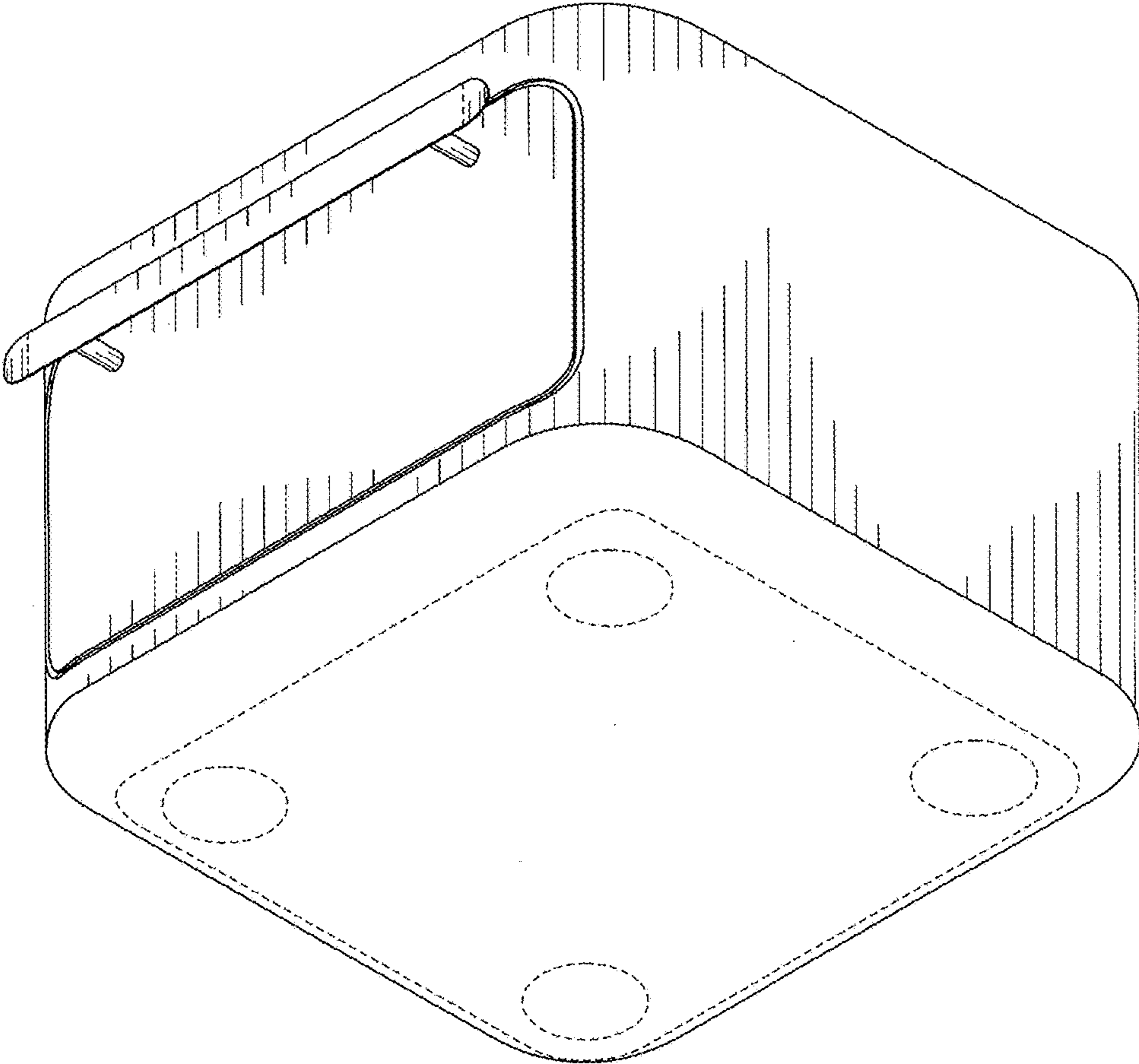


FIG. 2

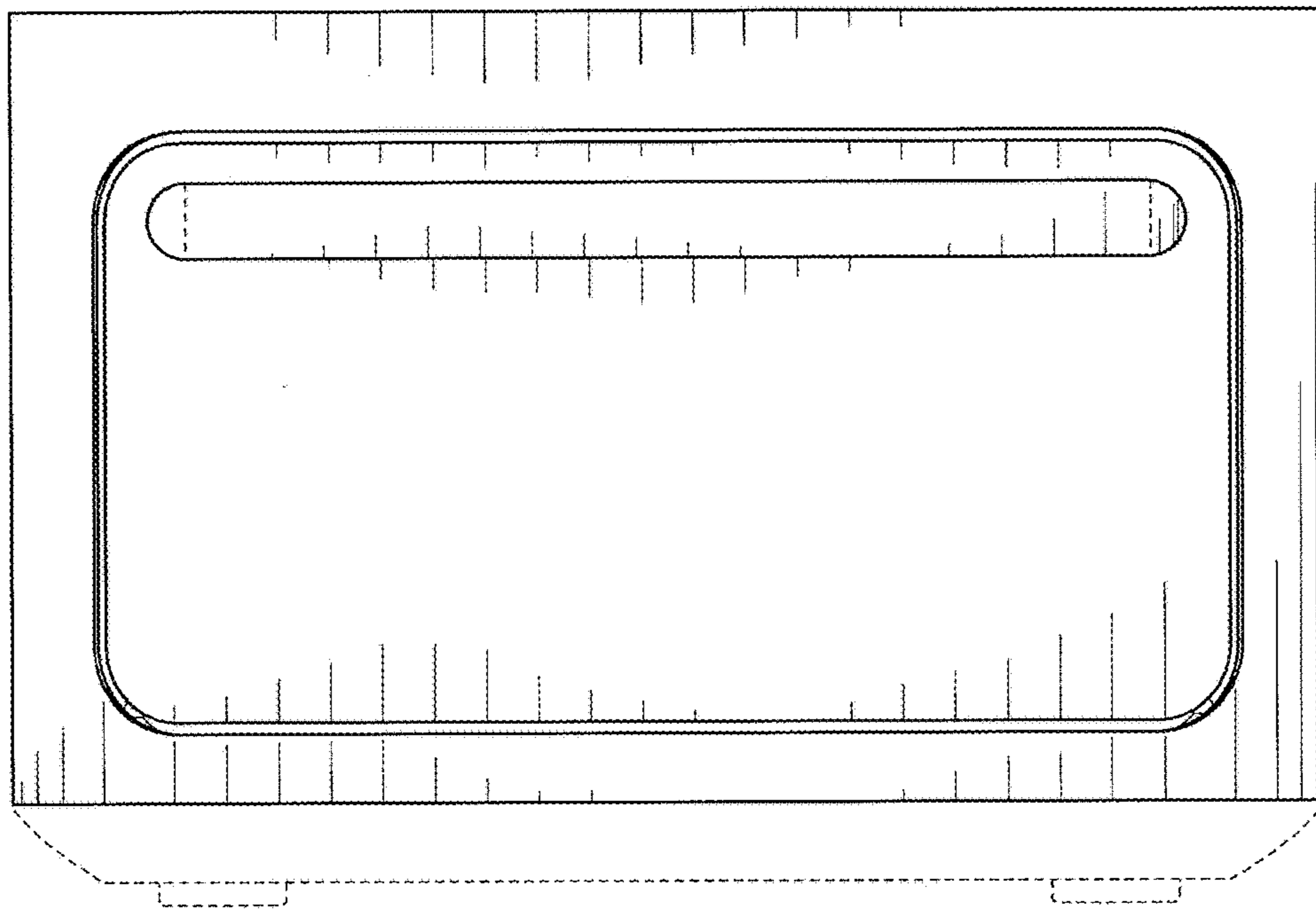


FIG. 3

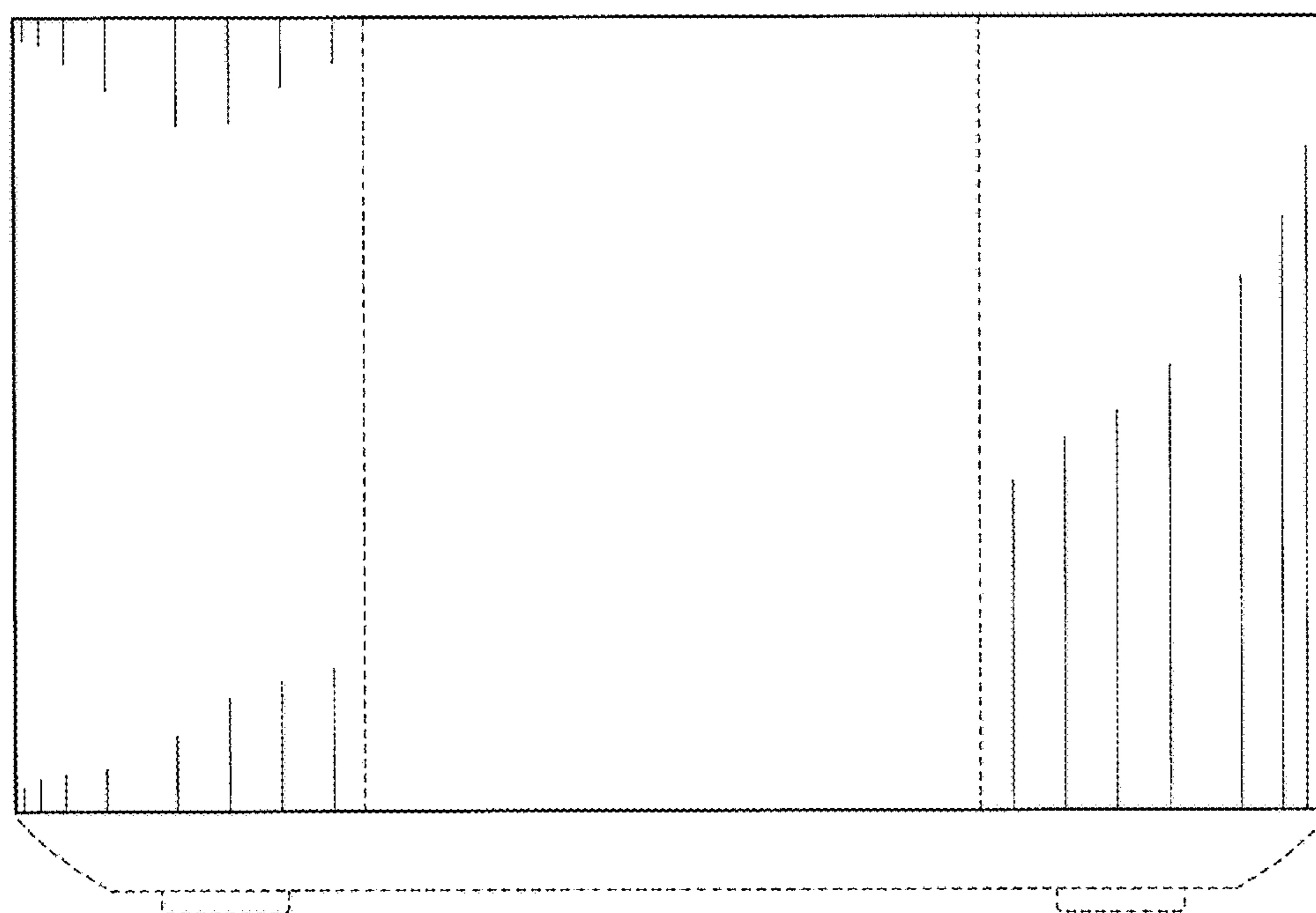


FIG. 4

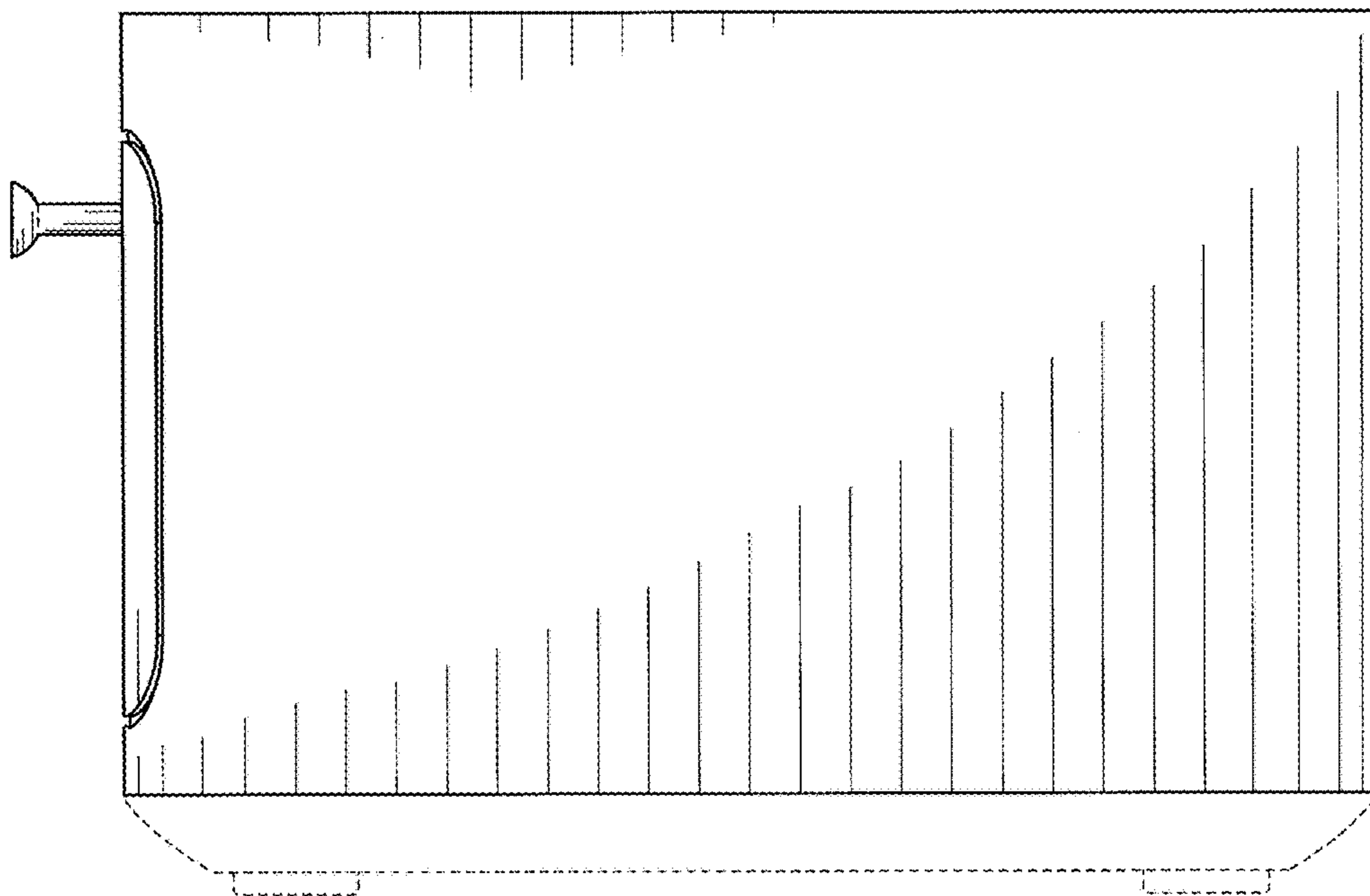


FIG. 5

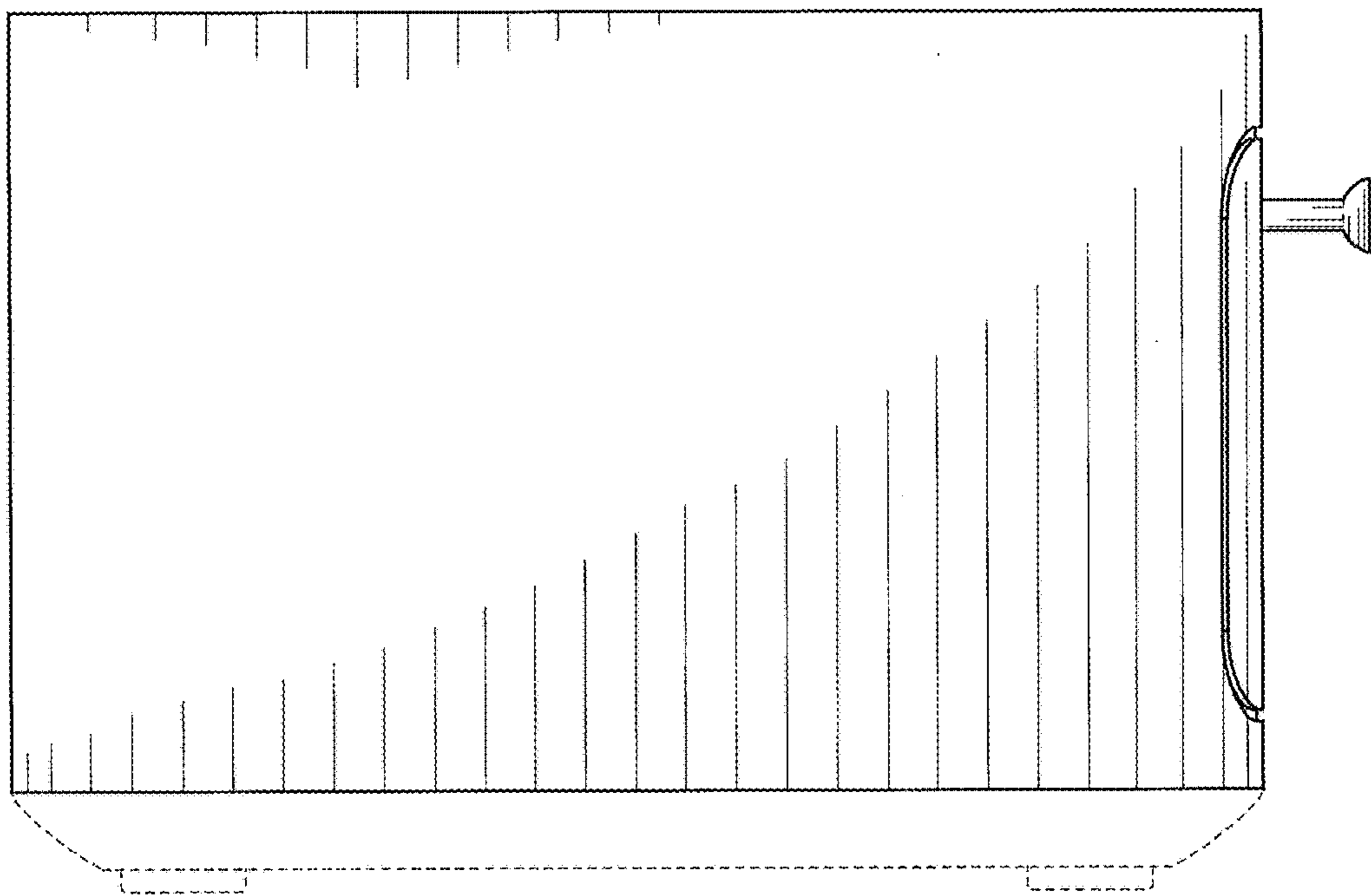


FIG. 6

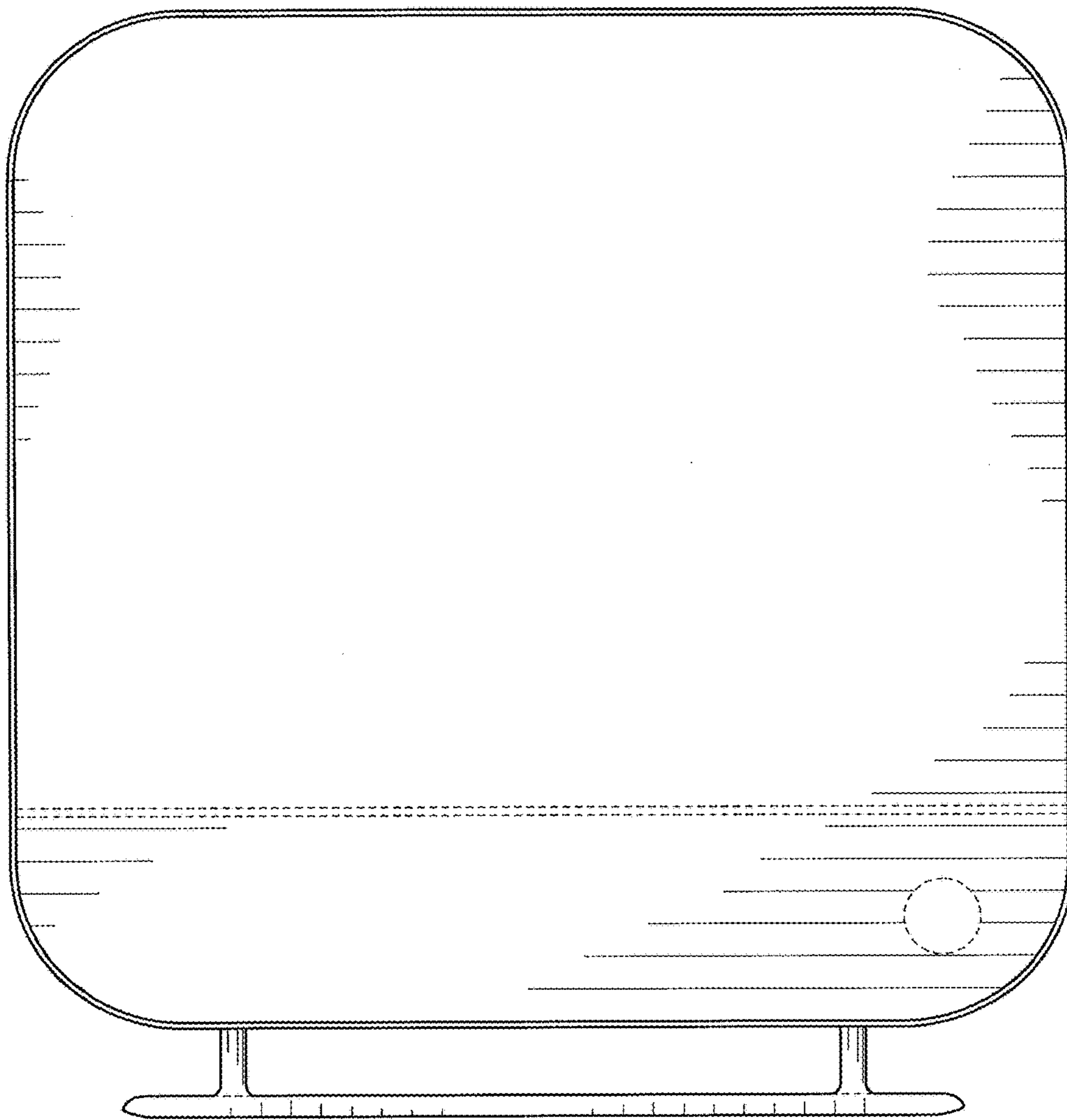


FIG. 7

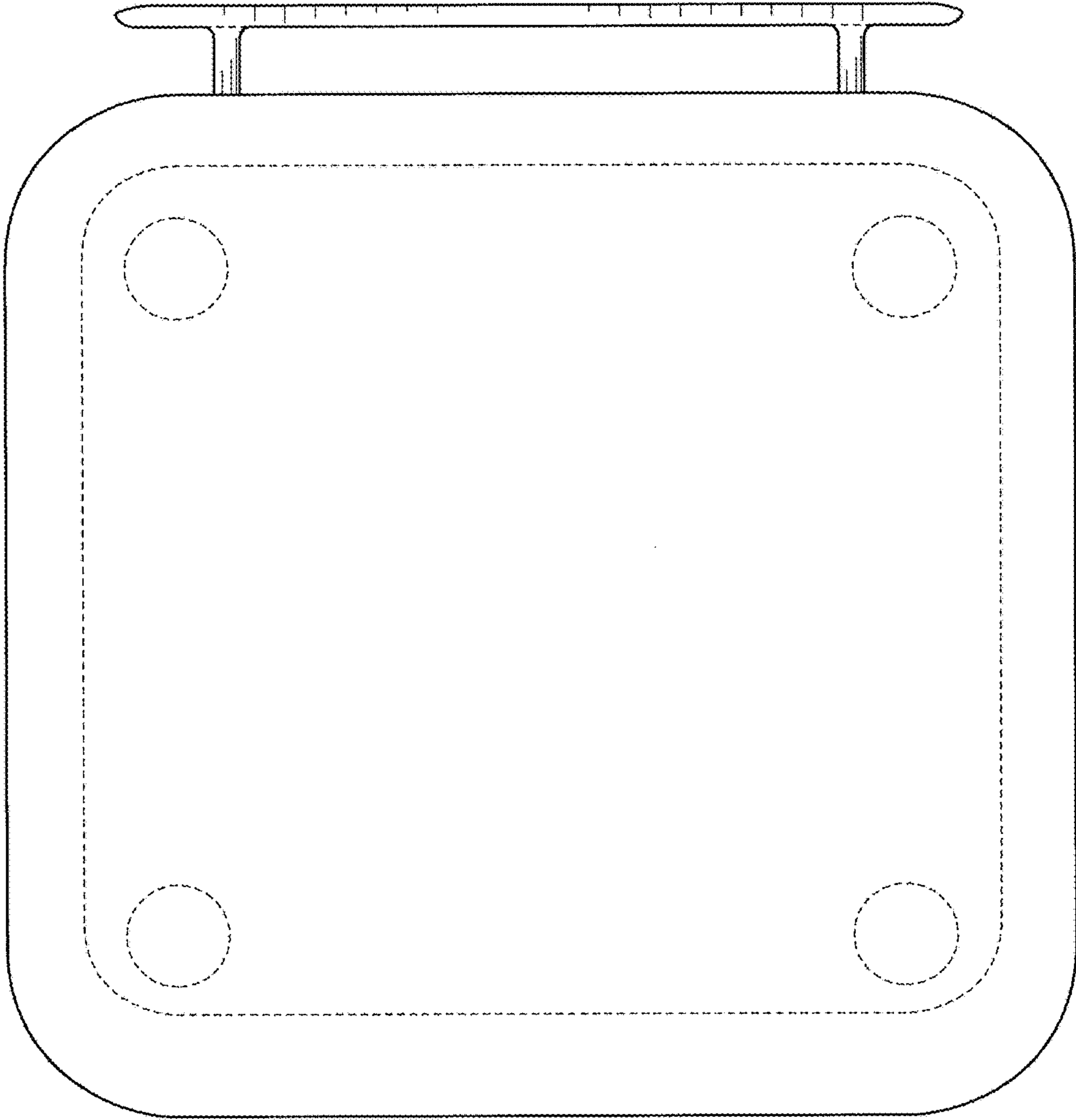


FIG. 8