

US00D829484S

(12) **United States Design Patent**
Kim et al.

(10) **Patent No.:** **US D829,484 S**
(45) **Date of Patent:** **** Oct. 2, 2018**

(54) **OVEN**
(71) Applicant: **Samsung Electronics Co., Ltd.**,
Suwon-si (KR)
(72) Inventors: **Jaejun Kim**, Seoul (KR); **Hyeongju**
Seo, Seoul (KR); **Jongsu Jeon**,
Seongnam-si (KR); **Hwanwoong Choi**,
Seoul (KR)

D750,414 S 3/2016 Funnell, II et al.
D762,415 S * 8/2016 Chung D7/405
D763,654 S * 8/2016 Chung D8/315
D770,839 S * 11/2016 Shoemaker D7/348
D786,611 S * 5/2017 Funnell, II D7/348
D787,879 S * 5/2017 Kim D7/348
2003/0056334 A1* 3/2003 Finkelstein F24C 15/024
16/436

(73) Assignee: **SAMSUNG ELECTRONICS CO.,**
LTD., Gyeonggi-Do (KR)

EM 0018825310002 6/2011
EM 0013384870001 9/2012

(**) Term: **15 Years**

* cited by examiner

(21) Appl. No.: **29/607,512**

Primary Examiner — Freda S Nunn

(22) Filed: **Jun. 14, 2017**

(74) *Attorney, Agent, or Firm* — Cantor Colburn LLP

(30) **Foreign Application Priority Data**

Dec. 28, 2016 (KR) 30-2016-0063864

(51) **LOC (11) Cl.** **07-02**

(52) **U.S. Cl.**
USPC **D7/348**

(58) **Field of Classification Search**
USPC D7/339–341, 344, 346–349, 352, 362,
D7/363, 402, 405–409; D8/311, 312,
D8/315, 316; 99/324, 325, 330–339, 342,
99/403
See application file for complete search history.

(57) **CLAIM**

The ornamental design for an oven, as shown and described.

(56) **References Cited**

U.S. PATENT DOCUMENTS

D646,113 S * 10/2011 Park D7/348
D741,104 S 10/2015 Funnell, II et al.

DESCRIPTION

FIG. 1 is a front perspective view of an oven showing our new design;
FIG. 2 is a front view thereof;
FIG. 3 is a rear view thereof;
FIG. 4 is a left-side view thereof;
FIG. 5 is a right-side view thereof;
FIG. 6 is a top view thereof; and,
FIG. 7 is a bottom view thereof.
The broken lines illustrating portions of the oven form no part of the claimed design.

1 Claim, 7 Drawing Sheets

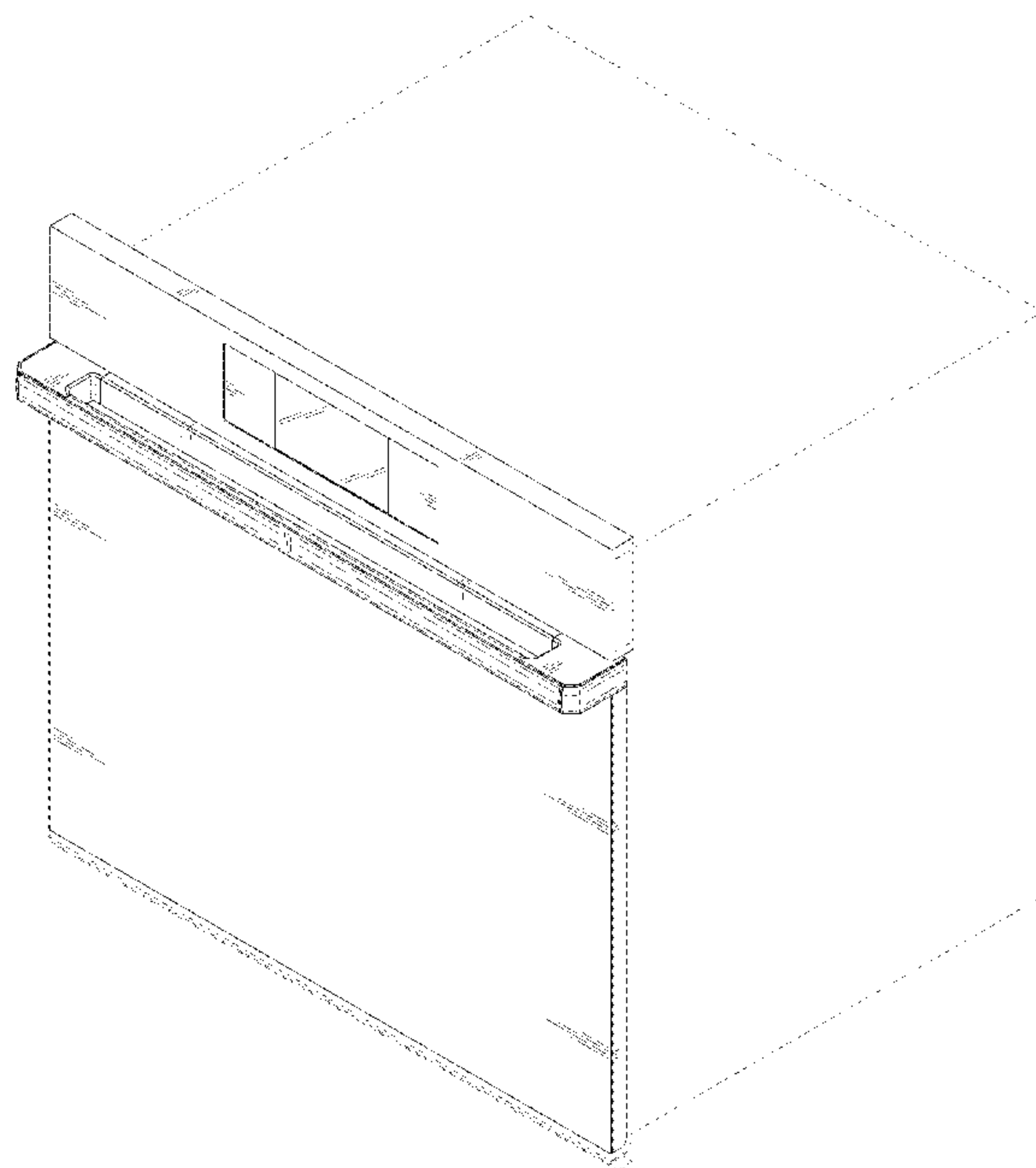


FIG. 1

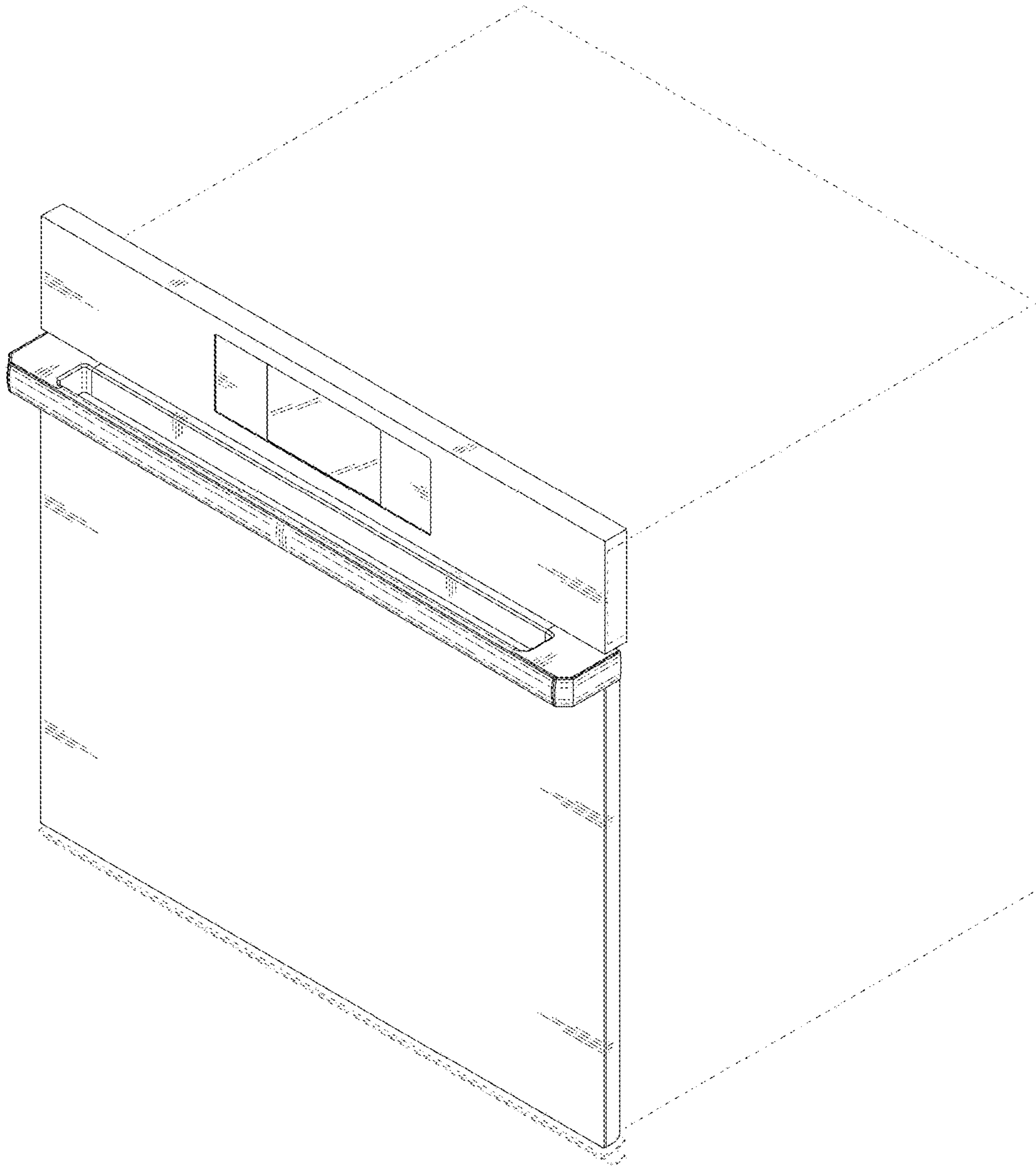


FIG. 2

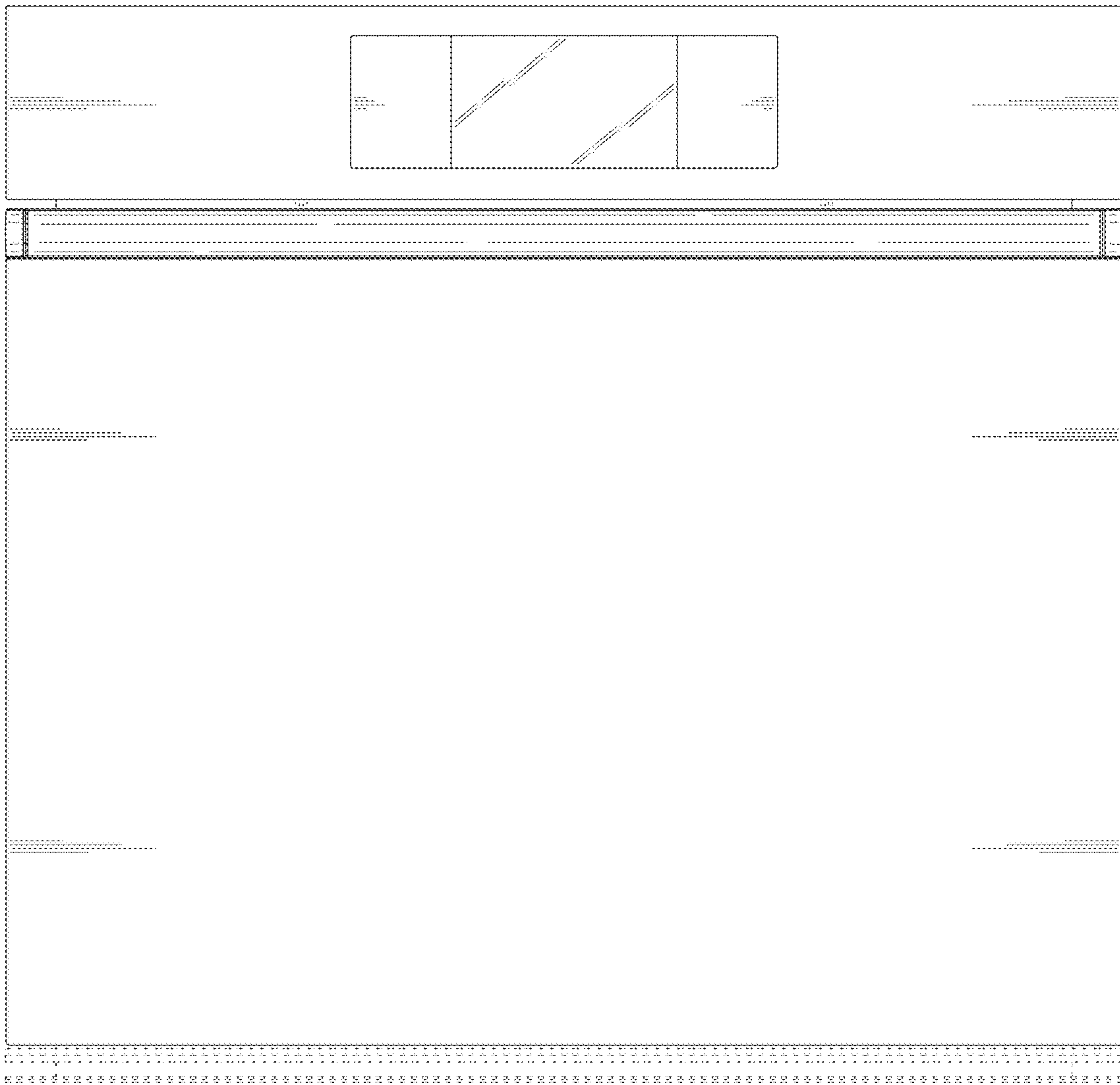


FIG. 3

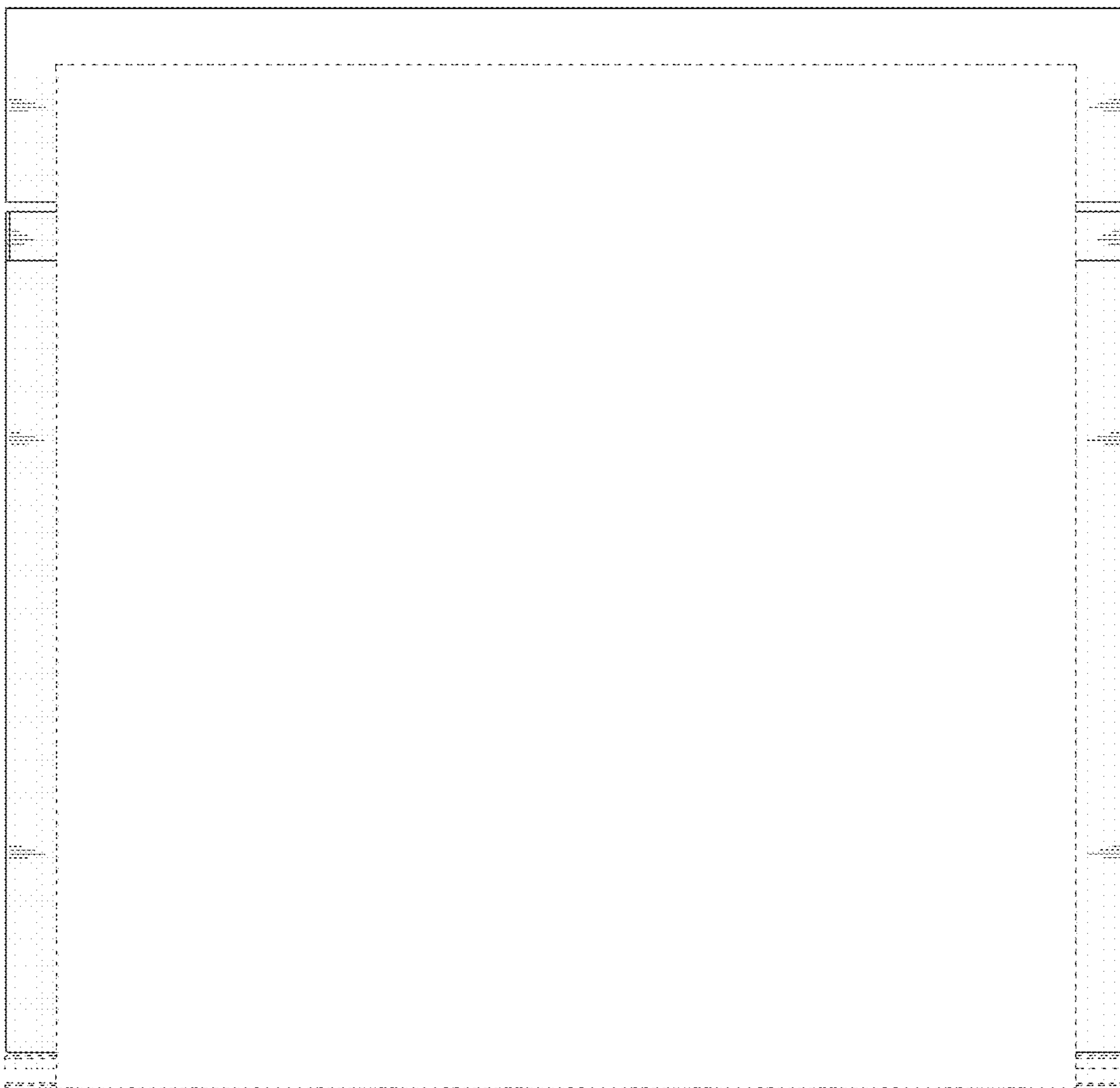


FIG. 4

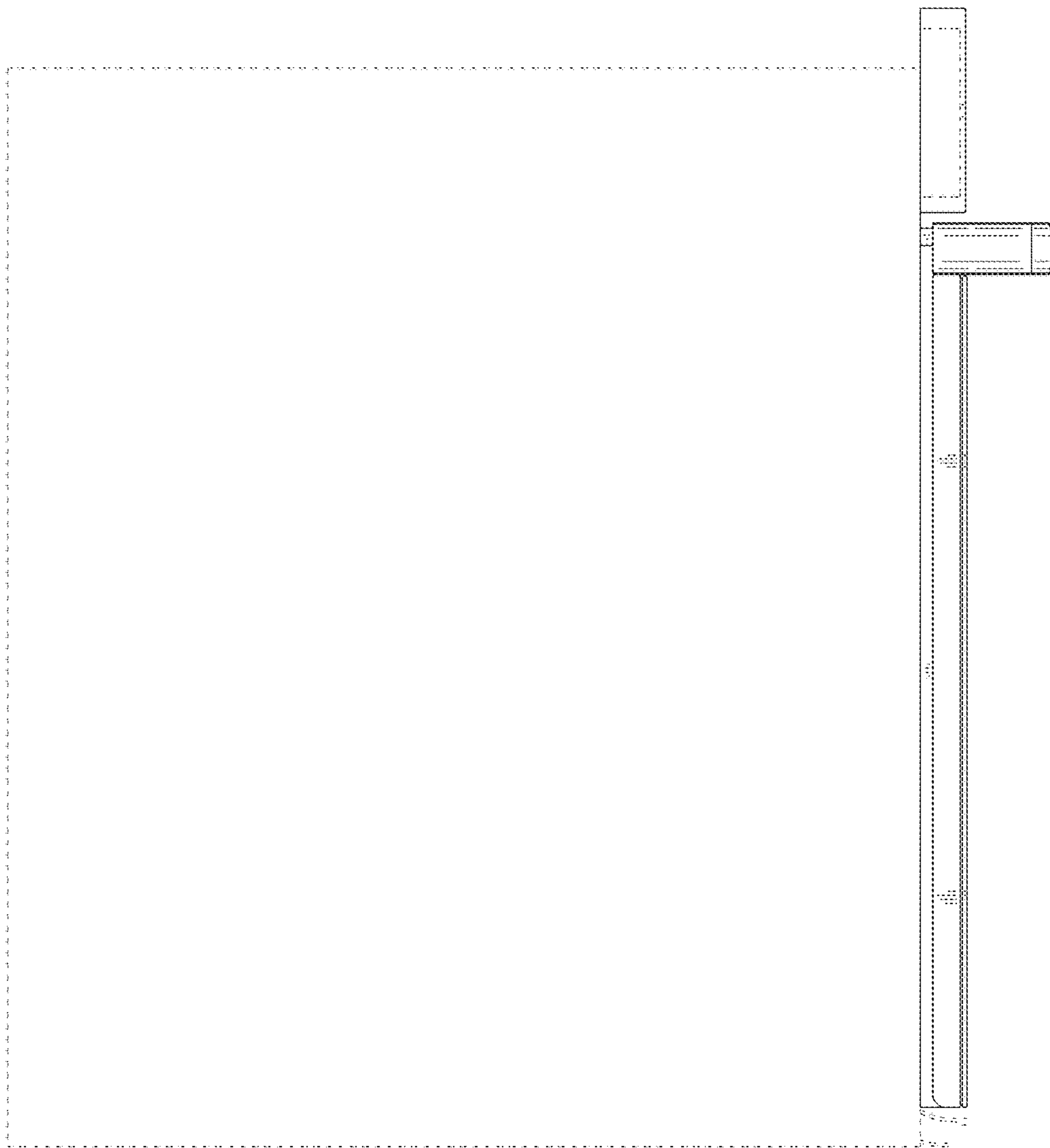


FIG. 5

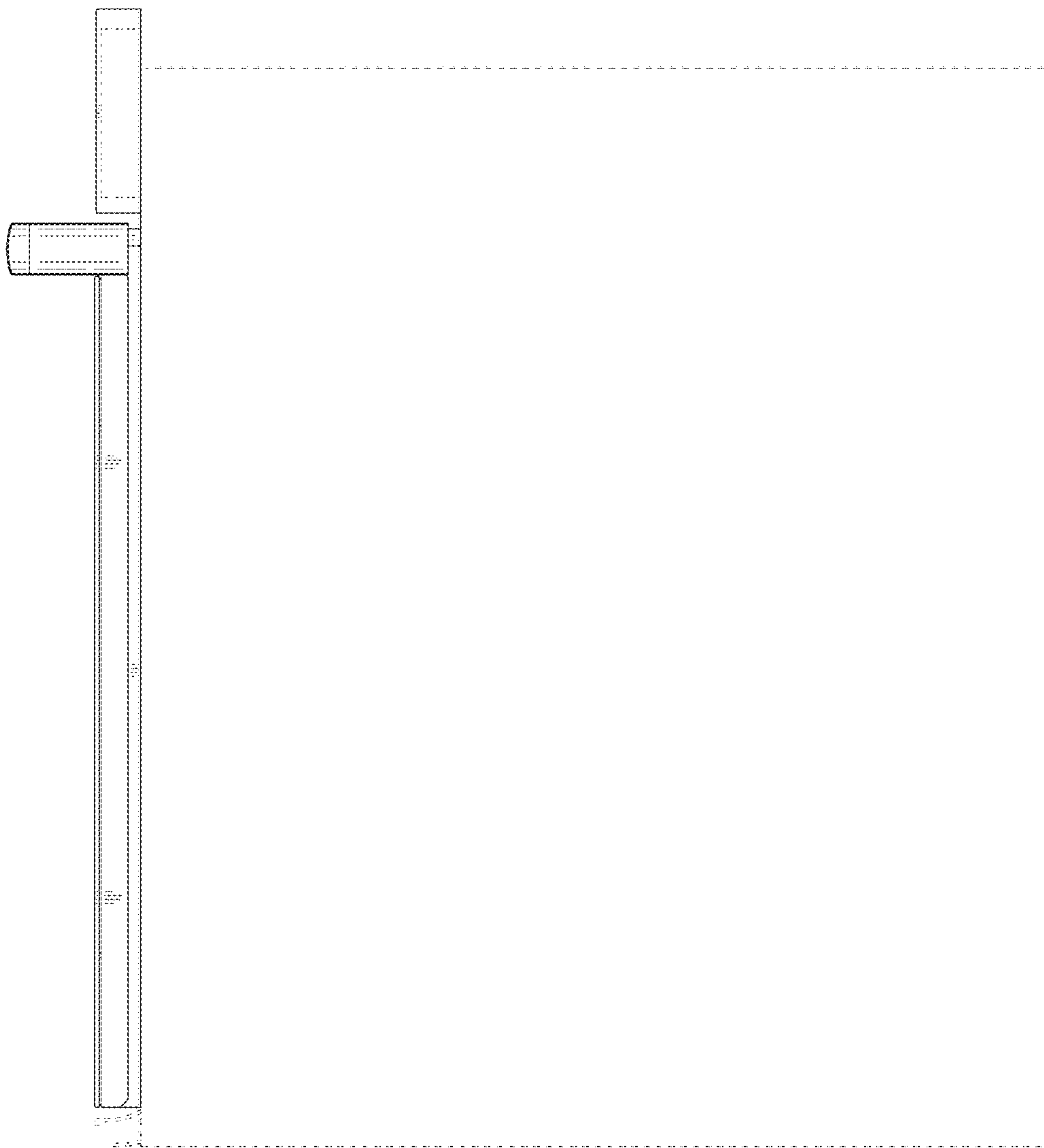


FIG. 6



FIG. 7

