



US00D829481S

(12) **United States Design Patent**  
**Bodum**

(10) **Patent No.:** **US D829,481 S**  
(45) **Date of Patent:** **\*\* Oct. 2, 2018**

(54) **COFFEE MAKER**  
(71) Applicant: **PI-Design AG**, Triengen (CH)  
(72) Inventor: **Jorgen Bodum**, Meggen (CH)  
(73) Assignee: **PI-Design AG**, Triengen (CH)  
(\*\*) Term: **15 Years**  
(21) Appl. No.: **29/600,391**  
(22) Filed: **Apr. 12, 2017**

2,411,340 A \* 11/1946 Schlumbohm ..... A47G 19/12  
222/465.1  
2,414,901 A \* 1/1947 Schlumbohm ..... A47J 45/08  
215/396  
2,705,086 A \* 3/1955 Schlumbohm ..... A47J 45/10  
215/396  
3,145,708 A \* 8/1964 Fischer ..... A47G 19/12  
126/390.1  
D205,236 S \* 7/1966 Fitzwilliam ..... 141/331  
3,334,574 A \* 8/1967 Douglas ..... A47J 31/02  
210/455  
D224,034 S \* 6/1972 Douglas ..... D7/318  
3,739,932 A \* 6/1973 Westover ..... A47J 45/10  
16/435  
3,985,069 A \* 10/1976 Cavalluzzi ..... B65D 85/8043  
426/77  
D250,804 S \* 1/1979 Nilsson ..... D7/400  
(Continued)

**Related U.S. Application Data**

(63) Continuation of application No. 29/561,537, filed on Apr. 18, 2016, now Pat. No. Des. 787,253.

**Foreign Application Priority Data**

Oct. 19, 2015 (WO) ..... DM/087902

(51) **LOC (11) Cl.** ..... **07-01**

(52) **U.S. Cl.**  
USPC ..... **D7/318**

(58) **Field of Classification Search**  
USPC ..... D7/316-322, 598, 600, 310, 536, 507;  
222/188, 465.1, 713; D23/209; 99/285,  
99/304, 292  
CPC .... A47J 41/0027; A47J 31/50; A47J 45/0077;  
A47J 31/053; A47J 31/20; A47J 31/02;  
A47J 45/10; A47J 31/14; A47J 411/02;  
A47J 31/38; A47J 31/306; A47G 19/22;  
A47G 19/12

See application file for complete search history.

(56) **References Cited**

**U.S. PATENT DOCUMENTS**

D137,943 S \* 5/1944 Schlumbohm ..... 16/DIG. 24  
D138,561 S \* 8/1944 Schlumbohm ..... D7/312

**OTHER PUBLICATIONS**

PI-Design AG, U.S. Appl. No. 29/579,442, filed Sep. 30, 2016.  
(Continued)

*Primary Examiner* — Marianne Pandozzi  
(74) *Attorney, Agent, or Firm* — McDonell Boehnen  
Hulbert & Berghoff LLP

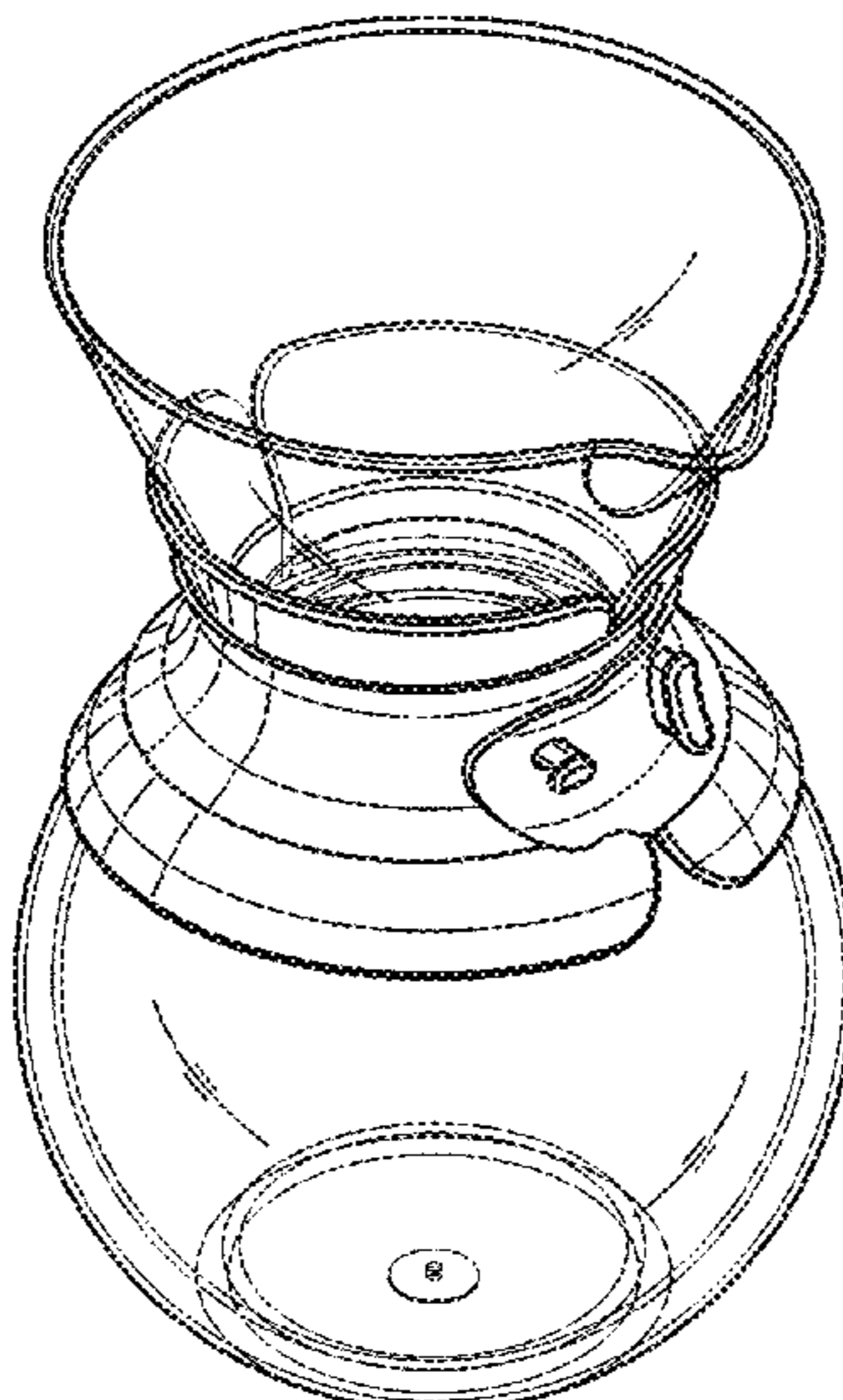
(57) **CLAIM**

The ornamental design for a coffee maker, as shown and described.

**DESCRIPTION**

FIG. 1 is a perspective view of a coffee maker showing my new design;  
FIG. 2 is a front view thereof;  
FIG. 3 is a rear view thereof;  
FIG. 4 is a left side view thereof;  
FIG. 5 is a right side view thereof;  
FIG. 6 is a top view thereof; and,  
FIG. 7 is a bottom view thereof.

**1 Claim, 7 Drawing Sheets**



(56)

**References Cited**

## U.S. PATENT DOCUMENTS

4,629,866 A \* 12/1986 Proctor ..... A47J 27/002  
126/378.1  
D302,093 S \* 7/1989 Palsby ..... D7/317  
D452,408 S \* 12/2001 Liu ..... D7/316  
D453,657 S \* 2/2002 Eklin ..... D7/315  
D515,349 S \* 2/2006 Gillisie ..... D7/317  
D536,205 S \* 2/2007 Jensen ..... D7/300  
D560,091 S \* 1/2008 Bodum ..... D7/312  
D567,005 S \* 4/2008 Bodum ..... D7/312  
D567,008 S \* 4/2008 Bodum ..... D7/312  
D567,009 S \* 4/2008 Bodum ..... D7/312  
D568,086 S \* 5/2008 Brown ..... D7/317  
D580,696 S \* 11/2008 Bodum ..... D7/316  
D591,549 S \* 5/2009 Ranzoni ..... D7/317  
D598,234 S \* 8/2009 Bodum ..... D7/317  
D611,754 S \* 3/2010 Bodum ..... D7/310  
D655,563 S \* 3/2012 Kern ..... D7/317  
D661,939 S \* 6/2012 Kern ..... D7/316  
D742,160 S \* 11/2015 Bodum ..... D7/316  
D745,739 S \* 12/2015 Abadi ..... D27/162  
D746,092 S \* 12/2015 Melzer ..... D7/325  
D752,376 S \* 3/2016 Melzer ..... D7/317  
D785,396 S \* 5/2017 Bodum ..... D7/319  
D786,003 S \* 5/2017 Bodum ..... D7/319  
D786,605 S \* 5/2017 Bodum ..... D7/316  
D787,253 S \* 5/2017 Bodum ..... D7/310  
D793,147 S \* 8/2017 Bodum ..... D7/316

## OTHER PUBLICATIONS

PI-Design AG, U.S. Appl. No. 29/554,812, filed Feb. 16, 2016.  
Select portions of Bodum Collection Catalogue, Jan. 2015, 7 pages.

\* cited by examiner

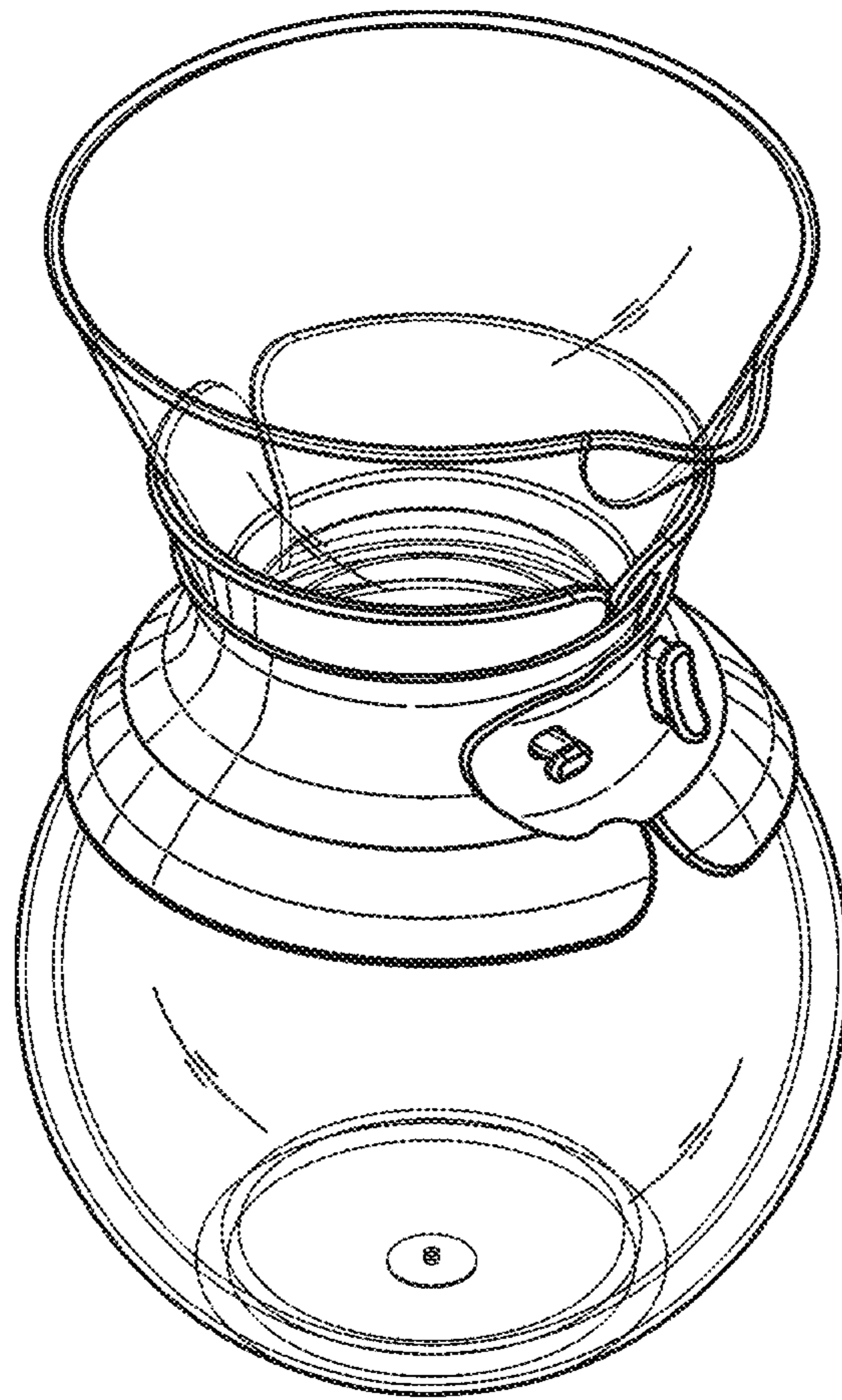


FIG. 1

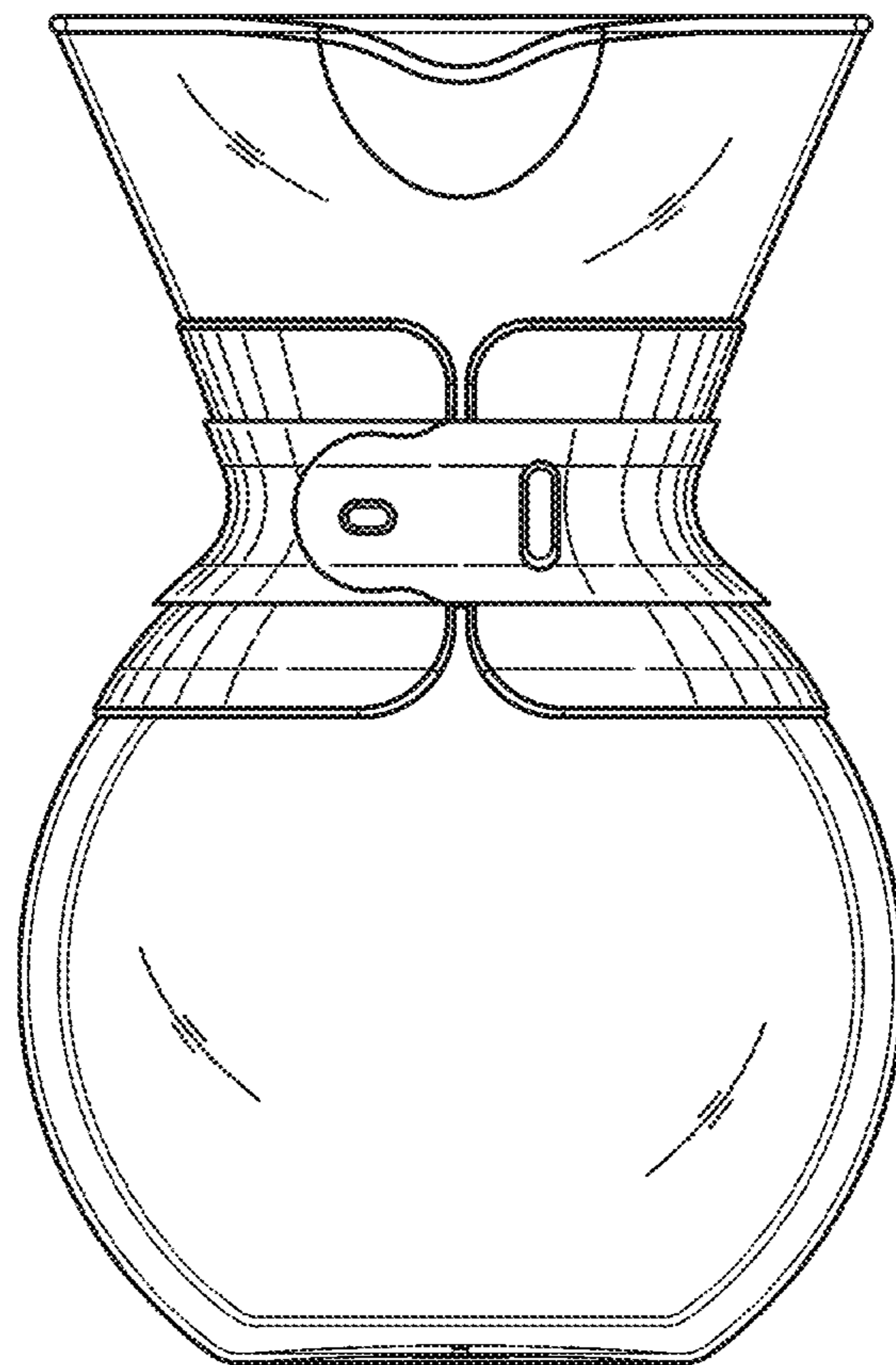


FIG. 2

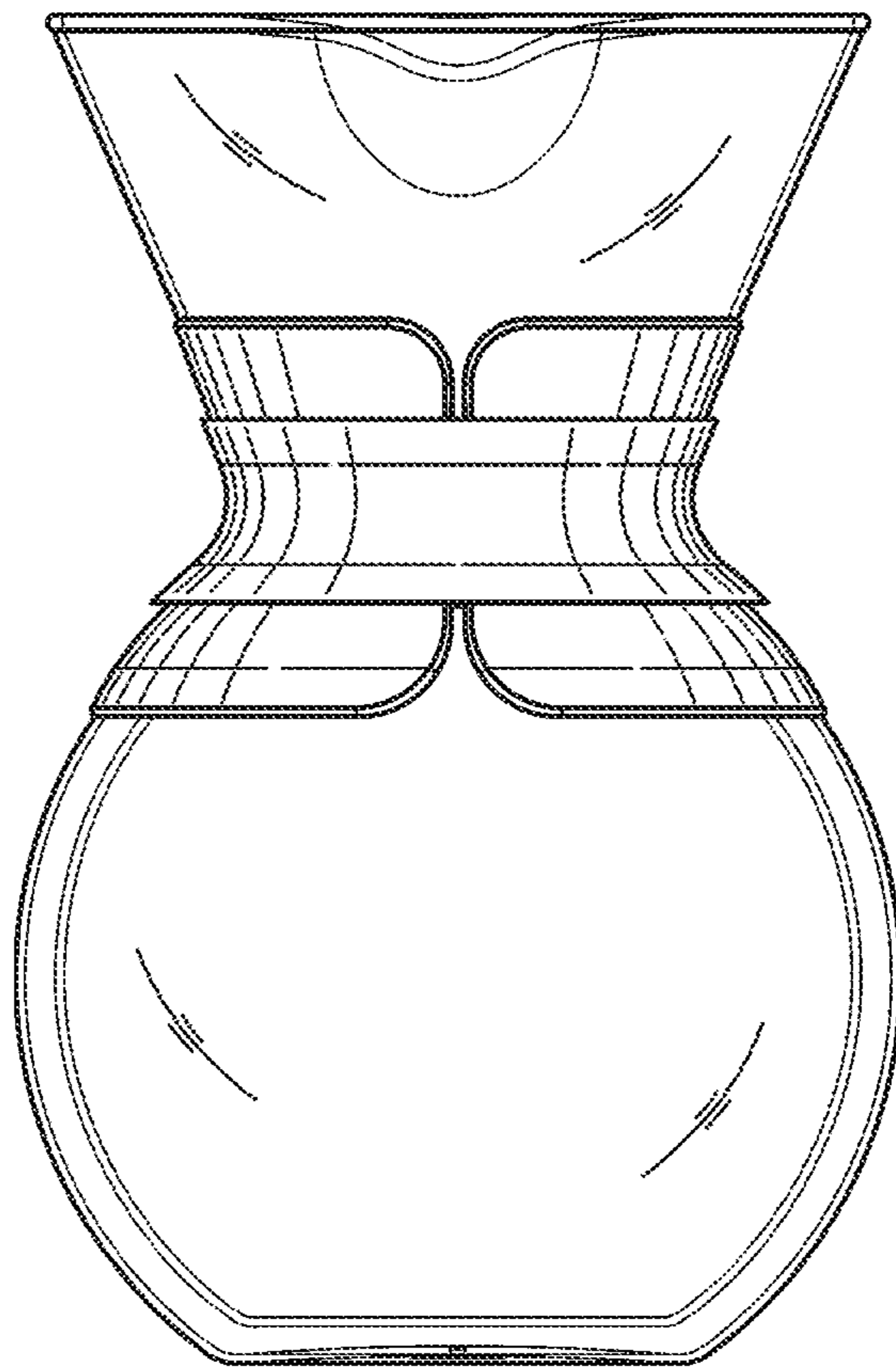


FIG. 3

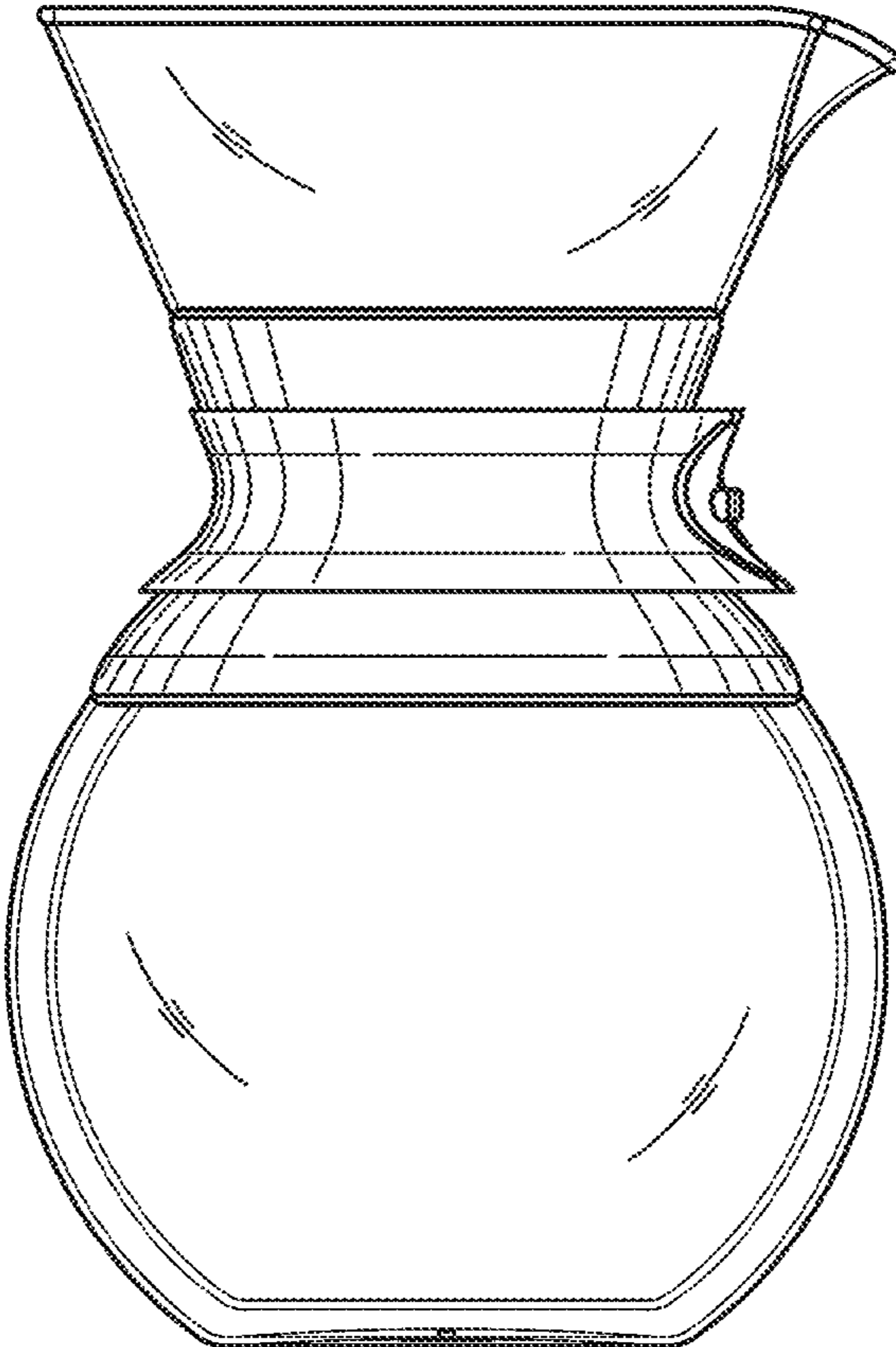


FIG. 4

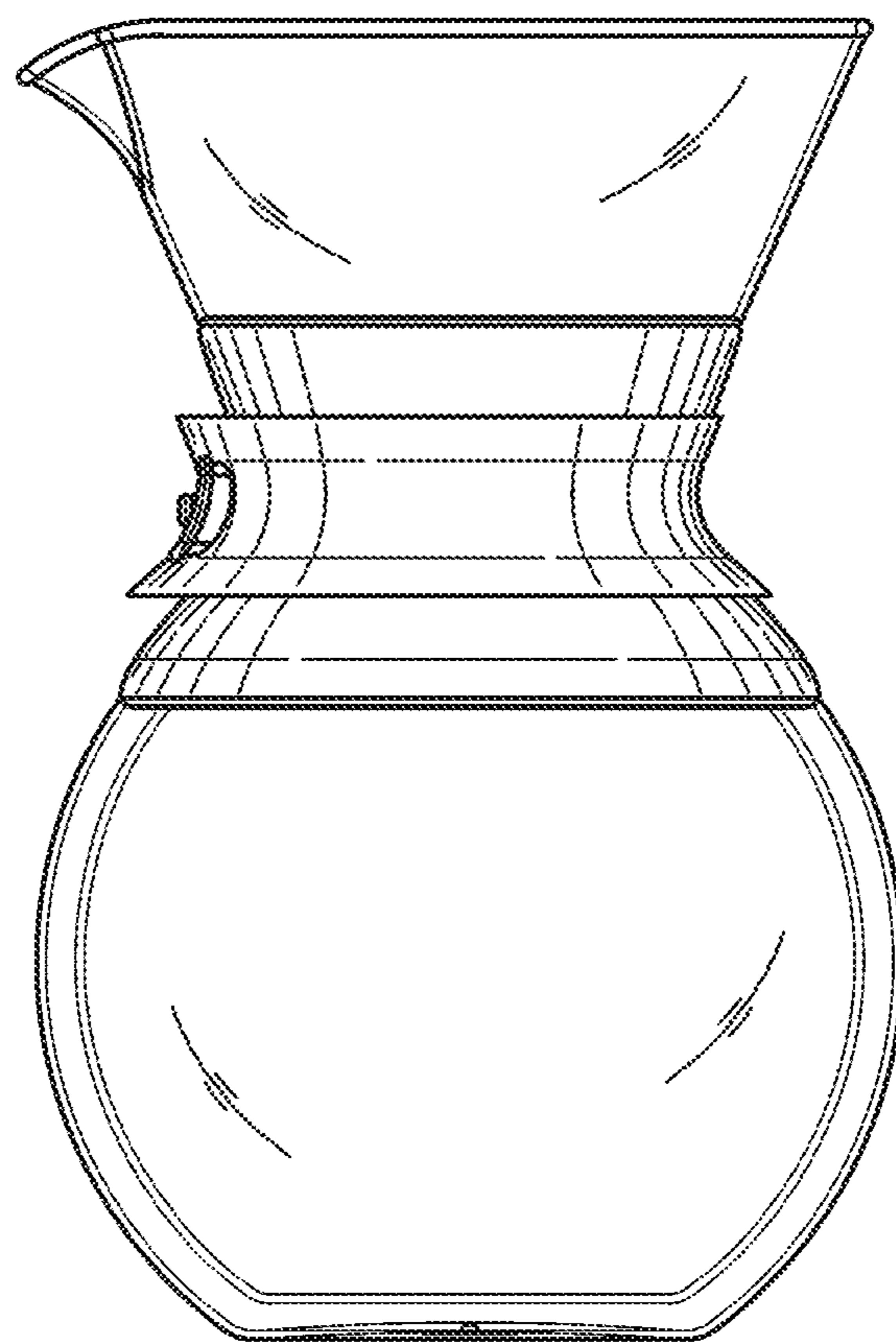


FIG. 5

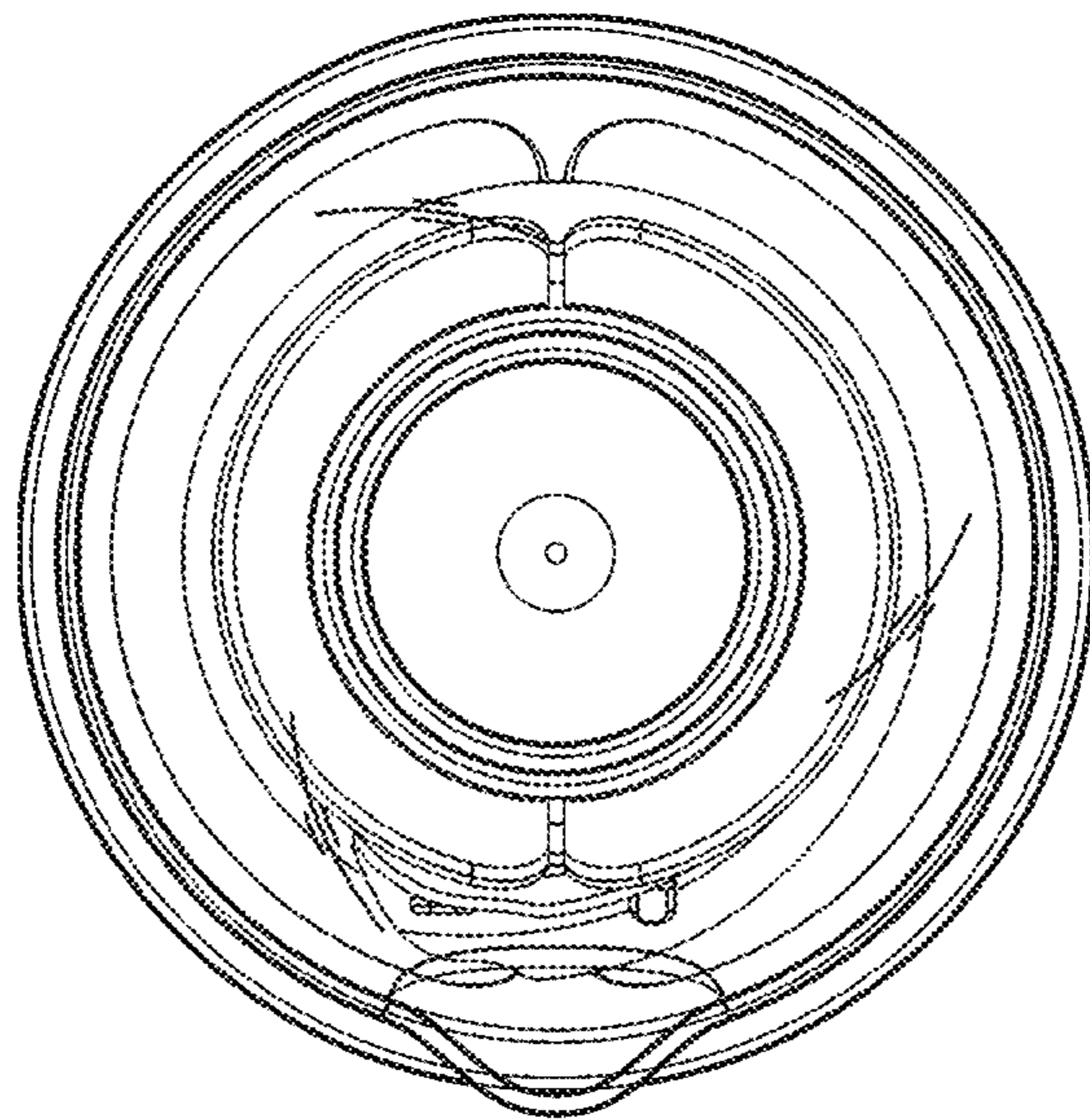


FIG. 6



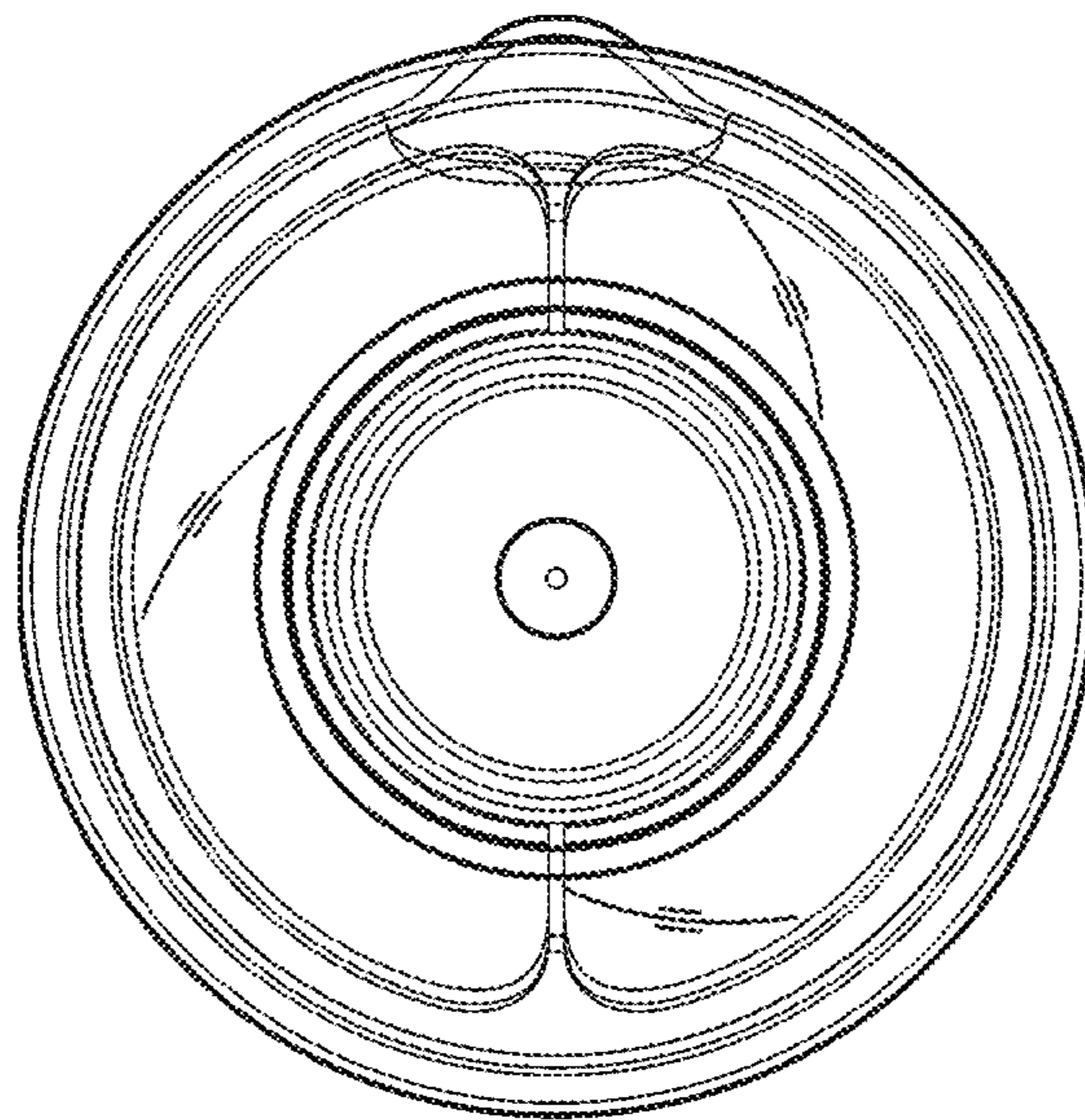


FIG. 7